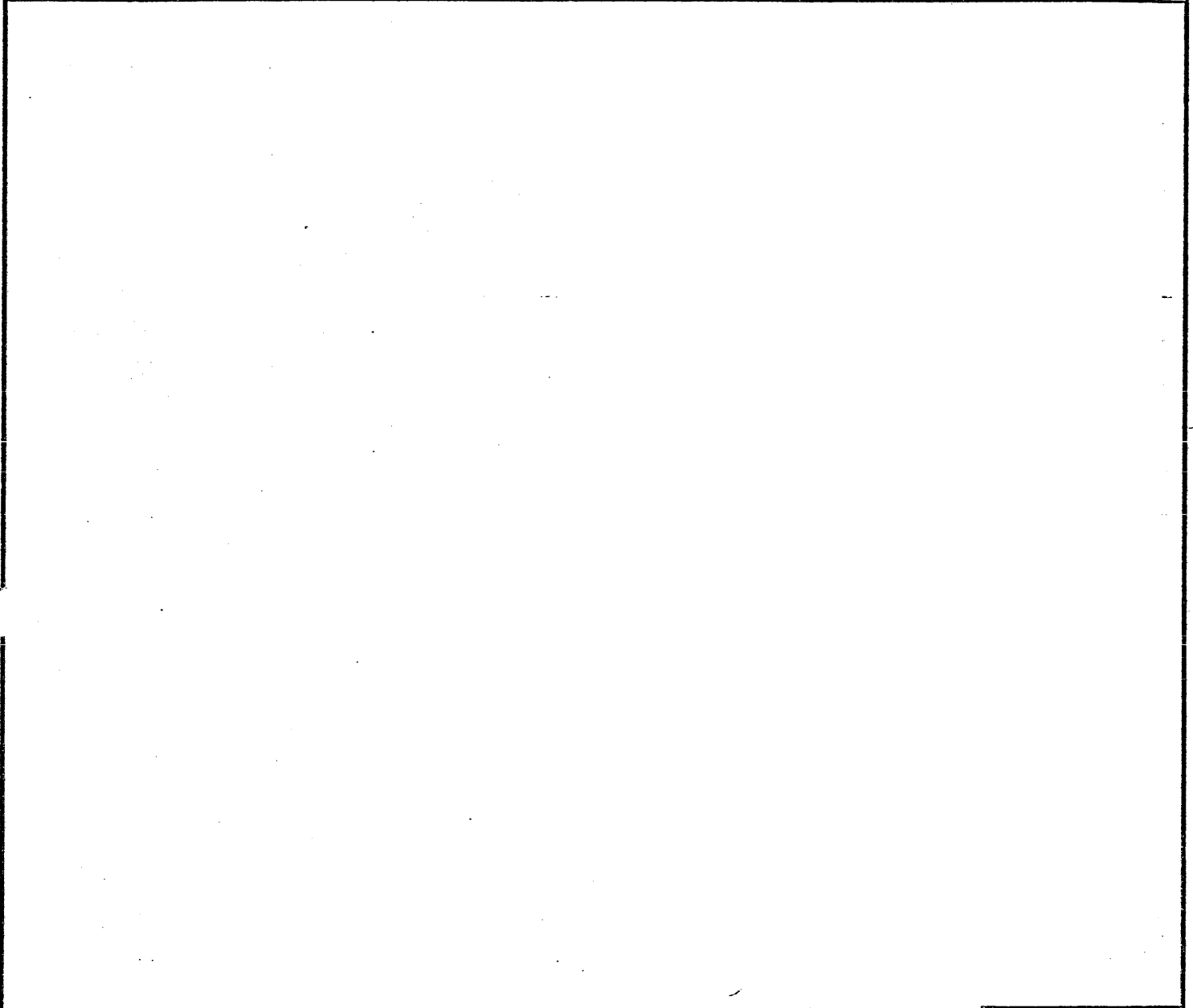


Revisions				217244	B
LAL	Rev	Description	Chk	Date	Approved
	A	ENGRG RELEASE	BN	2/20/79	
X	B	M/L ITEM 3 REMOVED 5F, 74LS00. ITEM 4 ADDED 5F. ITEM 9 REMOVED 5G, 74LS10. ITEM 10 ADDED 5G. ITEM 11 REMOVED 4. ITEM 12 ADDED 4G. ITEM 20 WAS 74LS139. ITEM 43, A 10, A 11. ITEM 32 ADDED C41. ITEM 29 WAS K1100A. ADDED NOTE 2-22) THRU 2-30).	BN	4/25/79	



NTMAI1-PWASSY.SIL

(PNTMAI-PWASSY.DM)

Dist Code **SPG**

<p>These drawings and specifications and the data contained therein, are the exclusive property of Xerox Corporation and/or Rank Xerox, Ltd. Issued in strict confidence and shall not, without the prior written permission of Xerox Corporation or Rank Xerox, Ltd. be reproduced, copied or used for any purpose whatsoever except the manufacture of articles for Xerox Corporation or Rank Xerox.</p>	Notes Unless Specified	Drawn <b>NISHIMURA</b>	Xerox Corporation El Segundo, California	<b>XEROX</b>	
	<p>1. Tolerances .xx <math>\pm</math> .03      Angular .xxx <math>\pm</math> .010      <math>\pm 1/2^\circ</math></p>	Check <b>BN 4/25/79</b>	<p><b>ASSEMBLY, PRINTED WIRING- MEMORY ADDRESS INTERFACE (NOTETAKER)</b></p>		
	<p>2. Break All Sharp Edges .010 Approx      —</p>	Appr.			
	<p>3. Mach. Surfaces      ✓</p>	Material			
<p>4. All Dim. In Inches</p>					

Model No. First Use	NOTETAKER	Finish	Code Ident 18338	Size A	Dwg. No. 217244	Change Letter B
Next Assy. First Use	217684		Scale NONE	Do Not Scale Drawing	Sheet	1 OF 7

**NOTES: UNLESS OTHERWISE SPECIFIED**

1. ASSEMBLE PER MODULE ASSEMBLY SPEC, DWG NO. 216207.
2. THE FOLLOWING MODIFICATIONS ARE REQUIRED USING "A" REVISION PW BOARDS:

- 1) CUT ETCH TO G1 PIN 11 AND ETCH TO H1 PIN 12 (ETCH SIDE).
- 2) CUT ETCH TO G1 PIN 1 (ETCH SIDE).
- 3) CUT ETCH TO D2 PIN 13 (COMP. SIDE).
- 4) CUT ETCH TO H2 PIN 3 (ETCH SIDE).
- 5) CUT ETCH TO E7 PIN 2 (COMP. SIDE).
- 6) CUT ETCH TO F7 PIN 12 (ETCH SIDE).
- 7) ADD JUMPER FROM G1 PIN 11 TO C2 PIN 13 (ETCH SIDE).

8)	C2 PIN 15	H1 PIN 12 (ETCH SIDE).
9)	G1 PIN 1	E8 PIN 15 (ETCH SIDE).
10)	D4 PIN 3	F4 PIN 11 (ETCH SIDE).
11)	D4 PIN 4	D2 PIN 13 (ETCH SIDE).
12)	F6 PIN 8	E7 PIN 2 (ETCH SIDE).
13)	F7 PIN 12	D7 PIN 1 (ETCH SIDE).
14)	H7 PIN 11	D7 PIN 2 (ETCH SIDE).
15)	D7 PIN 3	G8 PIN 1 (ETCH SIDE).
16)	H7 PIN 1	H7 PIN 11 (ETCH SIDE).
17)	H7 PIN 8	H7 PIN 11 (ETCH SIDE).
18)	H7 PIN 2	H7 PIN 5 (ETCH SIDE).

19) ADD JUMPER FROM H7 PIN 5 TO H7 PIN 8 (ETCH SIDE).

20) INSTALL ADAPTER PLUG ASSY (ITEM 39) IN LOC H7, SEE DETAIL A SH 4.

21) INSTALL 10K RESISTOR (ITEM 41, R9) FROM MOTHERBD CONN (P1) PIN 100 TO PIN 96 (ETCH SIDE). KEEP SOLDER AND RESISTOR FROM RESTRICTING MODULE INSERTION INTO CONNECTOR.

(NOTE 2 CONT'D ON SHEET 3)

NTMAI2-PWASSY.SIL

These drawings and specifications, and the data contained therein, are the exclusive property of Xerox Corporation and or Rank Xerox, Ltd. Issued in strict confidence and shall not, without the prior written permission of Xerox Corporation Rank Xerox, Ltd., be reproduced, copied or used for any purpose whatsoever, except the manufacture of articles for Xerox Corporation or Rank Xerox, Ltd.

Title  
**ASSY, PRINTED WIRING-  
 MEMORY ADDRESS INTFC**

Xerox Corporation  
 El Segundo, California  
**XEROX**

217244

, B

Sheet 2 Of 7

(NOTE 2 CONT'D)

- 22) CUT ETCH TO F3 PIN 6 (ETCH SIDE).
- 23) CUT ETCH TO D3 PIN 11 (ETCH SIDE).
- 24) CUT ETCH TO F6 PIN 13 (ETCH SIDE).
- 25) ADD WIRE FROM C9 PIN 7 TO F3 PIN 6 (ETCH SIDE).
- 26) ADD WIRE FROM E6 PIN 12 TO D4 PIN 5 (ETCH SIDE).
- 27) ADD WIRE FROM D4 PIN 6 TO F6 PIN 13 (ETCH SIDE).
- 28) ADD WIRE FROM D3 PIN 13 TO H2 PIN 5 (ETCH SIDE).
- 29) ADD WIRE FROM D3 PIN 12 TO H2 PIN 4 (ETCH SIDE).
- 30) ADD WIRE FROM H2 PIN 6 TO A3 PIN 11 (ETCH SIDE).

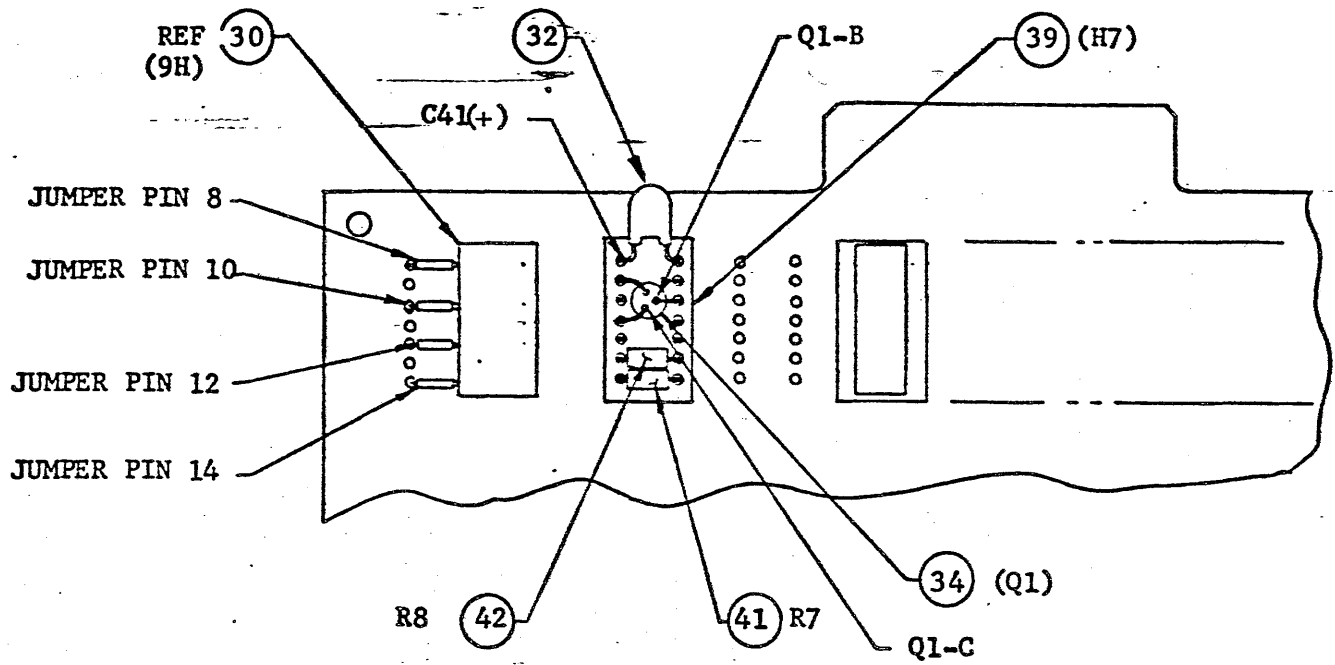
NTMA13-PWASSY.SIL

These drawings and specifications, and the data contained therein, are the exclusive property of Xerox Corporation and or Rank Xerox, Ltd. Issued in strict confidence and shall not, without the prior written permission of Xerox Corporation Rank Xerox, Ltd., be reproduced, copied or used for any purpose whatsoever, except the manufacture of articles for Xerox Corporation or Rank Xerox, Ltd.

Title  
**ASSY, PRINTED WIRING-  
MEMORY ADDRESS INTFC**

Xerox Corporation El Segundo, California		<b>XEROX</b>	
217244		B	
Sheet	3	Of	7





DETAIL A

These drawings and specifications, and the data contained therein, are the exclusive property of Xerox Corporation and/or Rank Xerox, Ltd. issued in strict confidence and shall not, without the prior written permission of Xerox Corporation or Rank Xerox, Ltd., be reproduced, copied or used for any purpose whatsoever, except the manufacture of articles for Xerox Corporation or Rank Xerox, Ltd.

Title  
**ASSEMBLY, PW-**  
**MEMORY ADDRESS INTFC**

Xerox Corporation  
 El Segundo, California

**XEROX**

217244

B

Sheet

5 of 7

ML	Drawing No. 217244	Rev. B
----	-----------------------	-----------

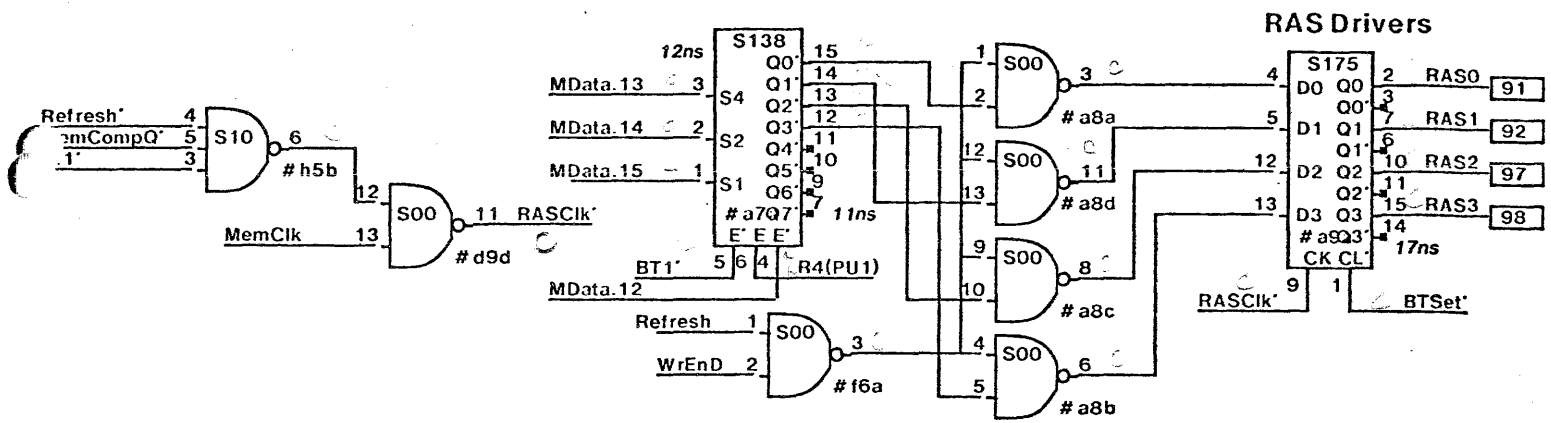
MATERIAL LIST

Rev. B wg. o. 2 1 7 2 4 4	Drawing Title		<p>These drawings and specifications, and the data contained therein, are the exclusive property of Xerox Corporation and or Rank Xerox, Ltd. Issued in strict confidence and shall not, without the prior written permission of Xerox Corporation Rank Xerox, Ltd., be reproduced, copied or used for any purpose whatsoever, except the manufacture of articles for Xerox Corporation or Rank Xerox, Ltd.</p>		
	<p>ASSEMBLY, PRINTED WIRING- MEMORY ADDRESS INTERFACE (NOTETAKER)</p>				
	NTMAI4-PWASSY.SIL	Model No. NOTETAKER	Date 4-25-79	Sheet 6 of 7	
	Item No.	Drawing Title	Drawing No.	No. Req.	Remarks
	1	BOARD, PW - MEM. ADDRESS INTFC	217245	1	
	2				
ML	3	MICROCIRCUIT, <del>74LS00</del> (TI)		1	<del>5F</del>
	4	74S00		10	1D,1G,3D,4H,6D,5F,6F,8A,9D,9E
	5	74LS04		2	8D,4D
	6	74S04		3	5D,7F,9F
	7	74LS08		2	2D,3H
	8	74S08		4	LH,2H,6G,7D
	9	<del>74LS10</del>		1	<del>5G</del>
	10	74S10		3	5H,5G,7G
	11	74LS11		1	1F
	12	74S11		4	3G,4G,6B,8C
	13	74LS30		2	5C,6C
	14	74S30		2	2A,8F
	15	74S37		2	3C,8G
	16	74LS112		2	5E,7E
	17	74S112 (DUAL FF)		4	LE,2E,2F,9C
	18	74LS138		2	3F,6E
	19	74S138		1	7A
	20	74S139		1	4F
	21	74LS163		2	3E,4E
	22	74S163		1	1A
	23				
	24	74LS175		2	4C,7C
	25	74S175		4	1C,2C,8E,9A
	26	74LS373 (TI)		7	3A,4A,5A,6A,7B,8B,9B
	27	25LS2569 ADVANCED MICRO DEV.		4	2B,3B,4B,5B
	28	MICROCIRCUIT, 82S147 PROM (SIGNETICS)		1	1B
	29	OSCILATOR, 24 MHZ, K1114A (MOTOROLA)		1	9G
	30	DELAY LINE, 50 NS DDU-4-5050 DATA DELAY DEV.		1	9H

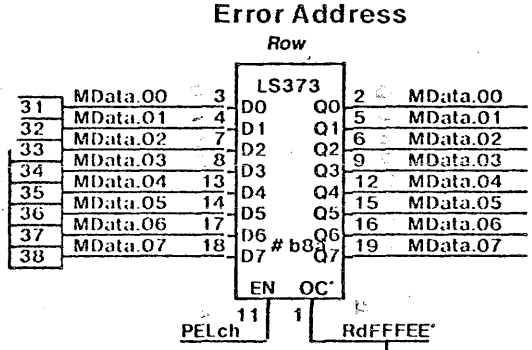
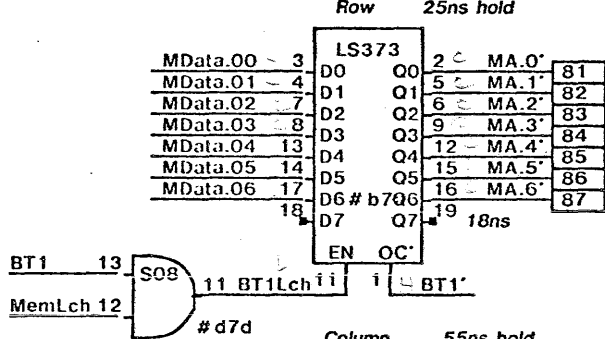
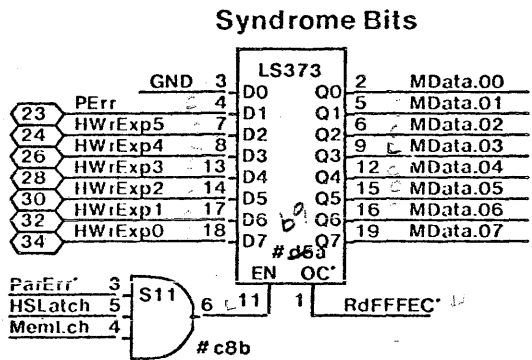
ML	Drawing No. 217244	Rev. B
----	-----------------------	-----------

MATERIAL LIST

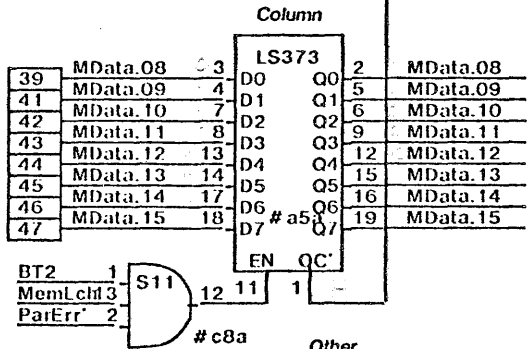
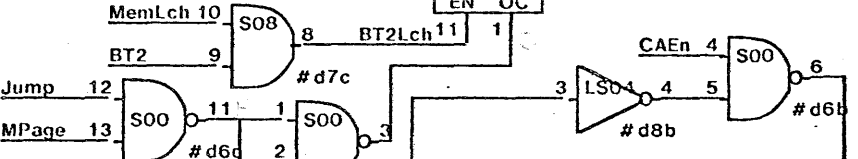
Rev. B wg. lo. 2 1 7 2 4 4	Drawing Title		These drawings and specifications, and the data contained therein, are the exclusive property of Xerox Corporation and or Rank Xerox, Ltd. Issued in strict confidence and shall not, without the prior written permission of Xerox Corporation Rank Xerox, Ltd., be reproduced, copied or used for any purpose whatsoever, except the manufacture of articles for Xerox Corporation or Rank Xerox, Ltd.		
	ASSEMBLY, PRINTED WIRING- MEMORY ADDRESS INTERFACE (NOTETAKER) NTMAI5-PWASSY.SIL				
ML	Item No.	Drawing Title	Drawing No.	No. Req.	Remarks
	31	CAPACITOR, CER, .047uF AVX DG015C473M		38	C03-C40
	32	CAPACITOR, TANT 22uF, 15V	114491-226	3	C01, C02, C41
	33				
	34	TRANSISTOR 2N5116		1	Q1
	35	SOCKET, IC 14 PIN #514-AG11D (AUGAT)		35	
	36	16 PIN #516-AG11D (AUGAT)		19	
	37				
	38	SOCKET, IC 20 PIN #520-AG11D (AUGAT)		12	
	39	ADAPTER PLUG #614-CG1 (AUGAT)		1	H7
	40	RESISTOR, 1K +/- 5%, 1/4 W	116447-102	6	R01 - R06
	41	RESISTOR, 10K +/- 5%, 1/4 W	116447-103	2	R7,9
	42	RESISTOR, 56K +/- 5%, 1/4 W	116447-563	1	R8
	43	RESISTOR NETWORK 750-61-10K (CTS)		2	A10, A11
	44				
	45				
	46				
	47				
	48				
	49				
	50				
	51				
	52				
	53				
	54				
	55				
	56				
	57				
	58				
	59				
	60				



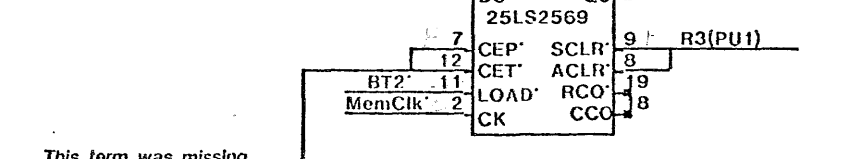
### Address Mux



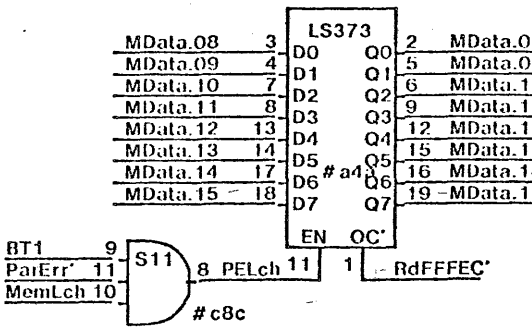
Could Delete



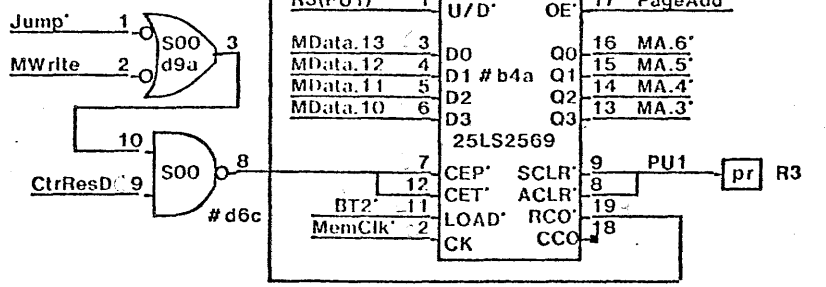
Could Delete



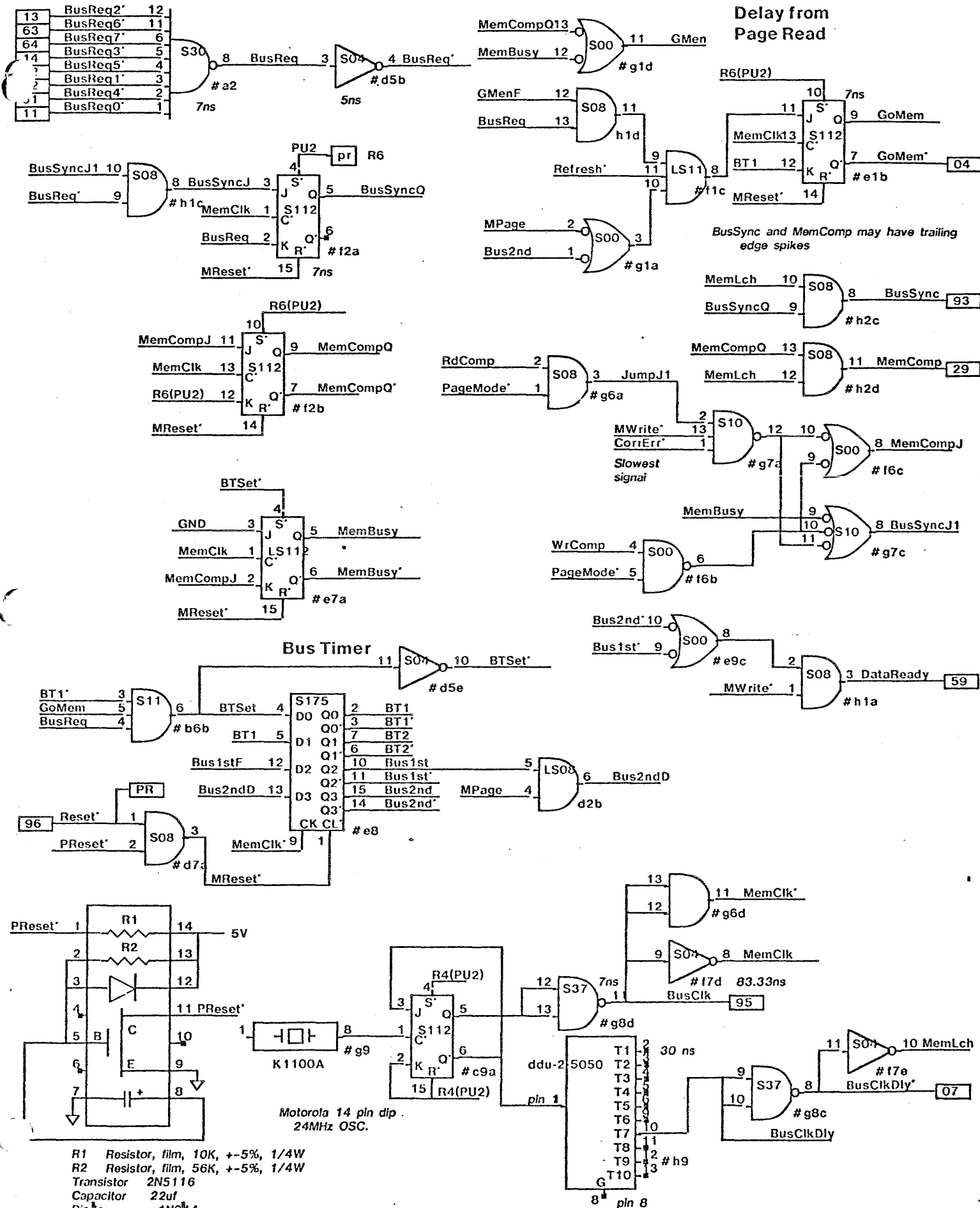
Could Delete



This term was missing in drawing







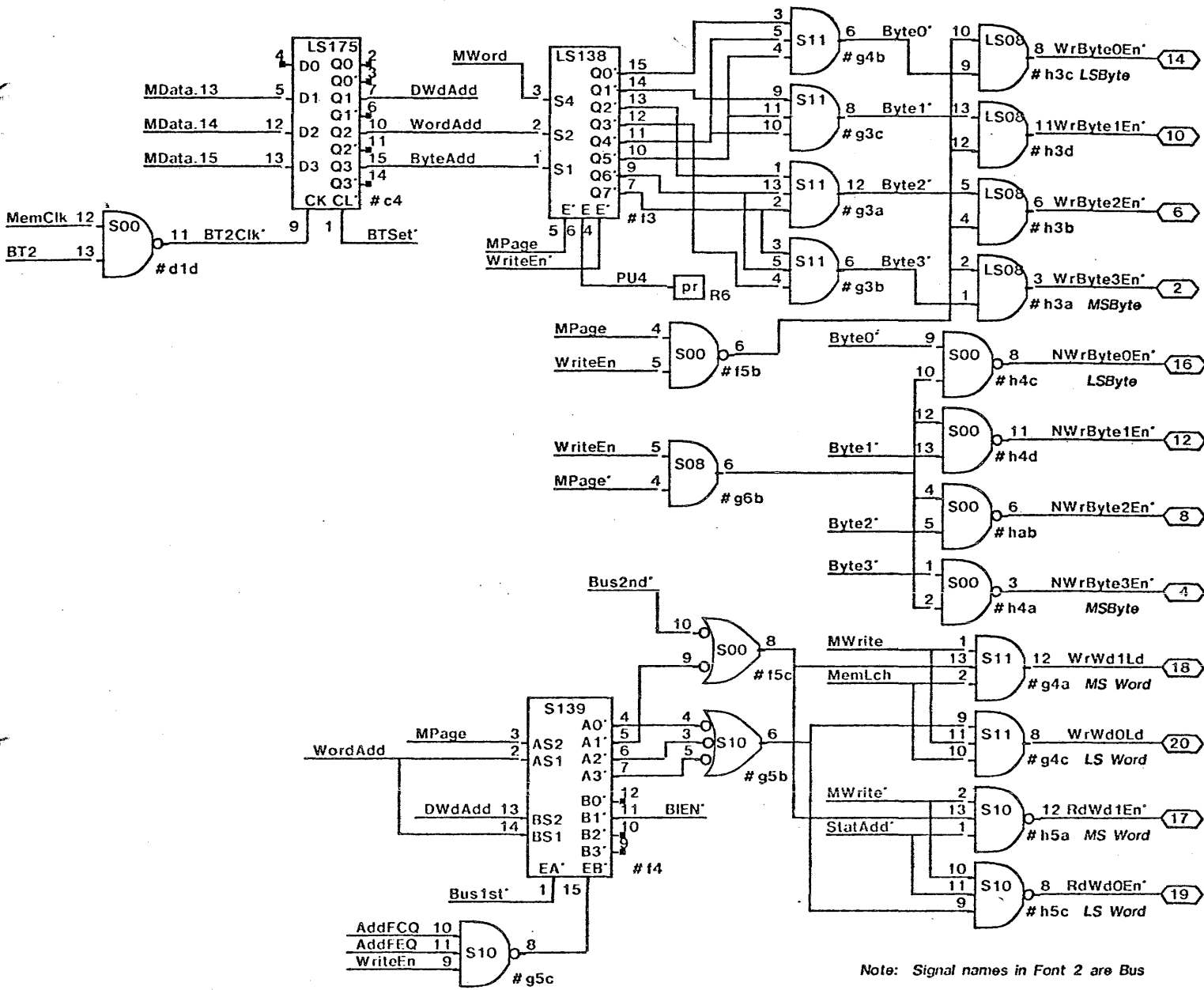
**Delay from Page Read**

*BusSync and MemComp may have trailing edge spikes*

- R1 Resistor, film, 10K, +-5%, 1/4W
- R2 Resistor, film, 56K, +-5%, 1/4W
- Transistor 2N5116
- Capacitor 22uf
- Diode 1N914

XEROX	Project	Title	File	Designer	Rev	Date	Page
ASD	Notetake	Memory Address Logic	pntma02-assy.sil	Sato	C	3/26/79	02 of 5





Note: Signal names in Font 2 are Bus names.

RdComp (21) (MRdLatch)

WriteEn' (33) (HWrEn')

WriteEn (31) (HRdEn')

GND (89) (MAEnable')

CAS (1) and MCorrOn (2) via AND gate (#d1a) to produce HSLatch' (27)

MReset' (5) and BT1' (4) via AND gate (#11b) to produce HSClear' (29)

HSLatch' (13) via LS04 decoder (#d8f) to produce HSLatch

