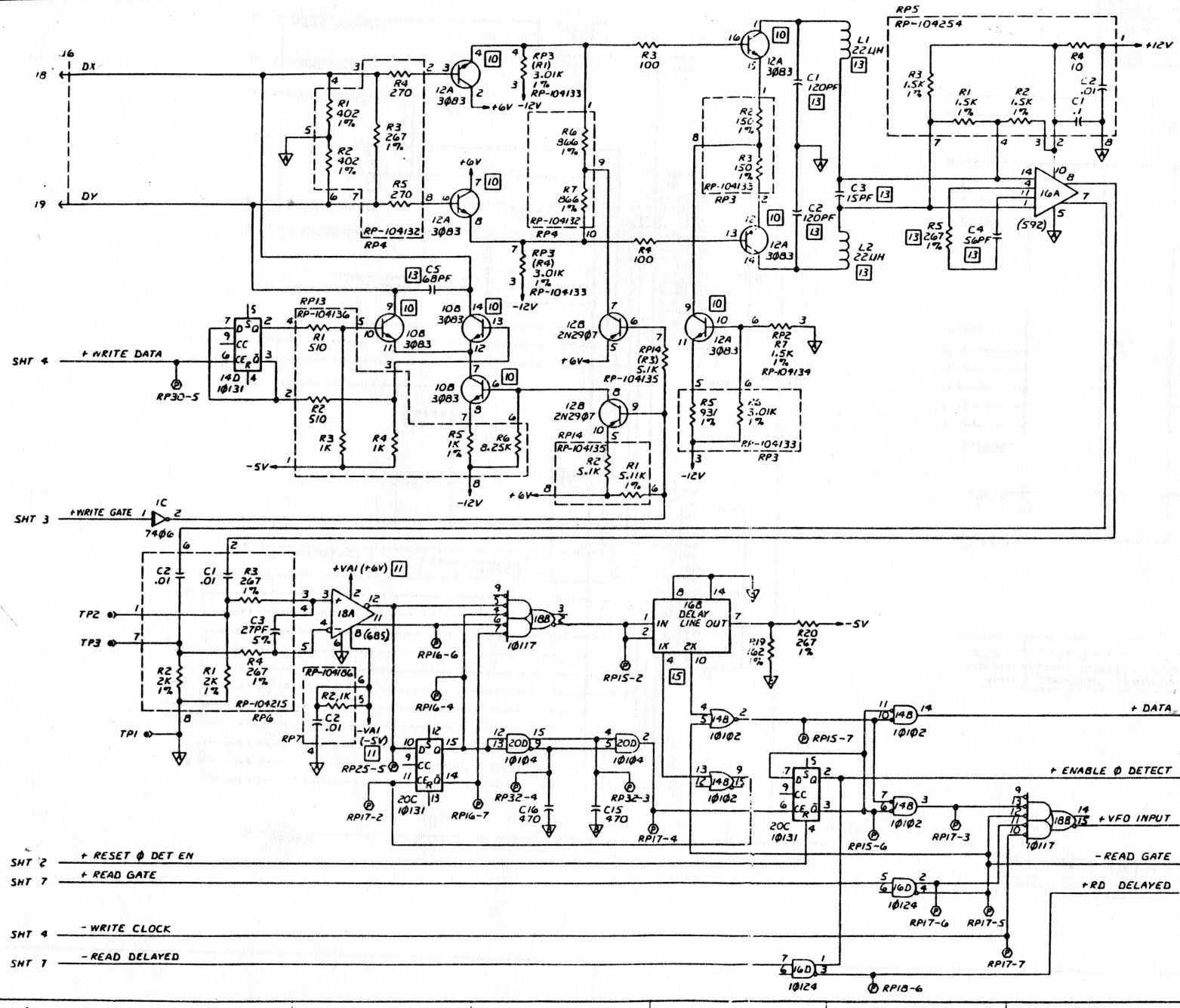


DATE	ECNO	DATE	ECNO	20043
1/18/88	1818	12/4/88	1996	
2/27/83	1897			
4/21/77	1962			
1/18/75	1929			

SHEET AND REVISION TABLE									
SHT	1	2	3	4	5	6	7	8	9
REV	E	B	B	B	B	A	B	A	C

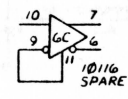
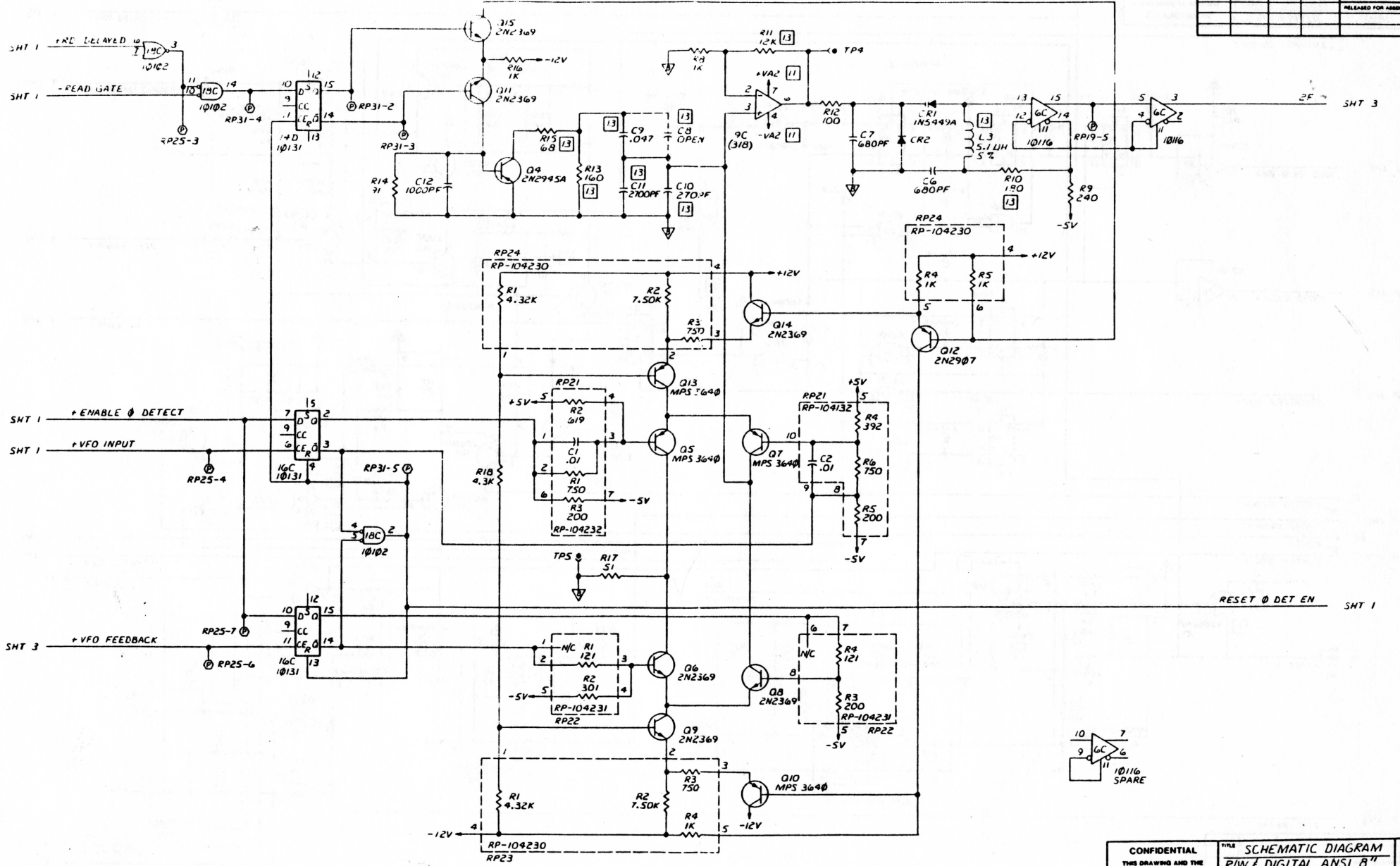


- [15] FOR 3450 (200438-01) AND 7050 (200438-02) IX IS 60NS AND 2X IS 105NS. FOR 804 (200438-03) AND 803 (200438-04), IX IS 50NS AND 2X IS 91.5NS.
- [14] PINS 5,12 ARE FOR 3450 (200438-01) AND 7050 (200438-02), AND 803 (200438-03). PINS 3,4 ARE FOR 804 (200438-04).
- [13] VALUES SHOWN ARE FOR 3450 (200438-01) AND 7050 (200438-02). VALUES FOR 804 (200438-03) AND 803 (200438-04). SEE TABLE ON SHT 9 OF 9.
- [12] JUMPERS SHOWN ARE FOR (200438-01) 3450. FOR REFERENCE SEE JUMPER TABLE ON SHT 9 OF 9.
- [11] ±VA1, ±VA2, ±VA3 REPRESENTS RESISTOR PACK (RP1, RP7, RP20) FOR REFERENCE. SEE TABLE ON SHT 9 OF 9.
- [10] PIN 5 IS TIED TO -12V (SEE TABLE ON SHT 9 OF 9).
- [9] HEATSINK IS REQUIRED FOR Q1.
- [8] ALL IC'S ARE 74LSXXX.
- [7] ALL DIODES ARE IN4454.
- [6] THIS SYMBOL ⊕ REPRESENTS "PULL-DOWN" RESISTOR 470 OHMS TO -5V (RP15 - RP19, RP25 - RP35). (SEE SHT 9 OF 9).
- [5] ALL "PF" CAPACITORS ARE 5%.
- [4] ALL CAPACITORS ARE IN MICROFARADS.
- [3] CRA AND RAD ARE FOR 803 (200438-01) TO -5V IS FOR 3450 (200438-01) 7050 (200438-02), AND 804 (200438-03). 40B TO VREF. IS FOR 803 (200438-04).
- [2] ALL RESISTORS ARE 1/4W, 5% AND ARE IN OHMS.
- [1] THIS SCHEMATIC DIAGRAM REPRESENTS ASM 200438-01 AT EC LEVEL 1929, ASM 200438-02 AT EC LEVEL 1929, ASM 200438-03 AT EC LEVEL 1929, ASM 200438-04 AT EC LEVEL 1929, ASM 200438-01 AT EC LEVEL 1996.

NOTES: (UNLESS OTHERWISE SPECIFIED)

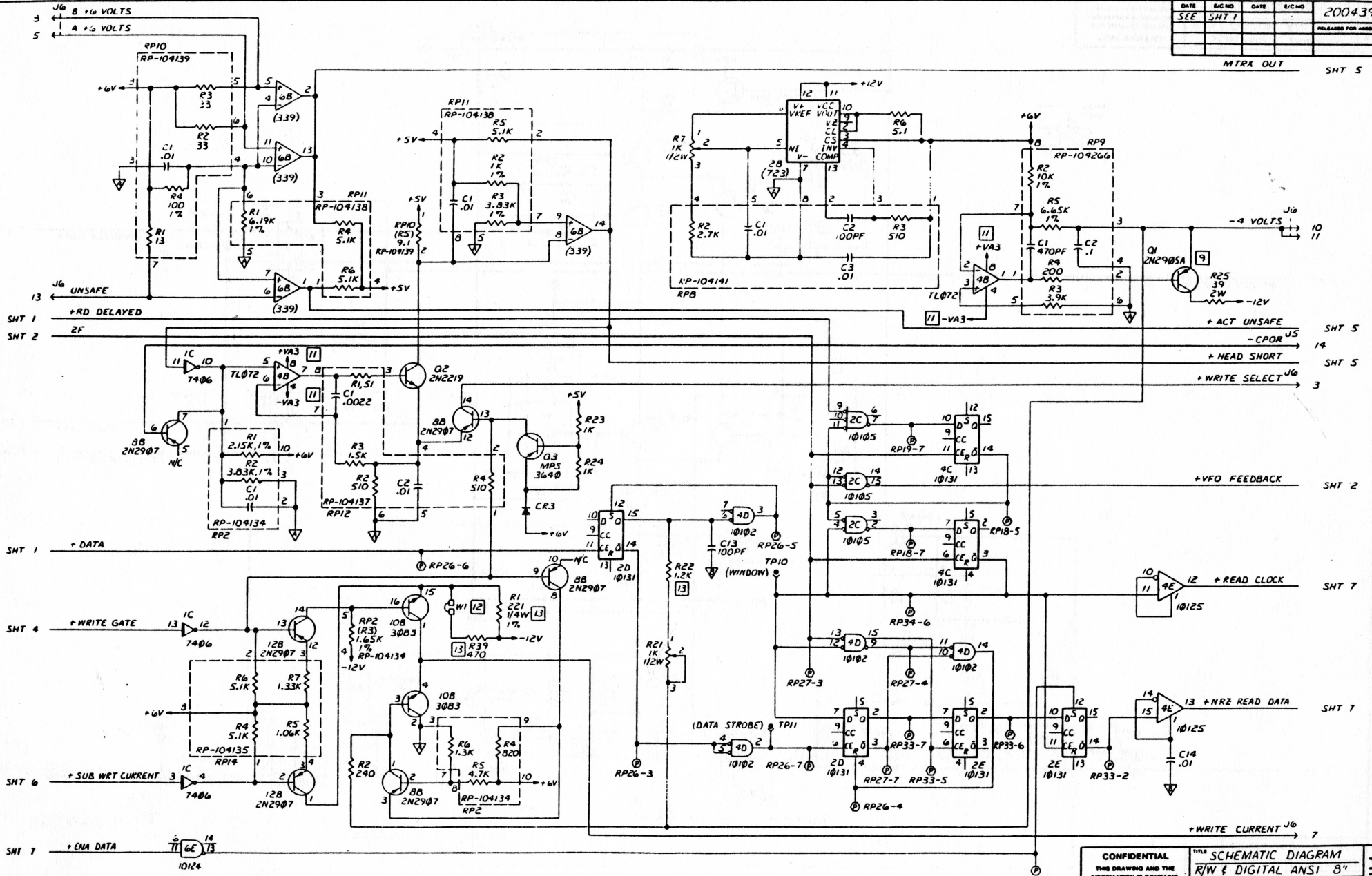
CONFIDENTIAL THIS DRAWING AND THE INFORMATION IT CONTAINS ARE THE PROPERTY OF PRIMA CORPORATION. ANY COPYING OR UNAUTHORIZED USE IS PROHIBITED.	TITLE SCHEMATIC DIAGRAM R/W & DIGITAL ANSI B	
	DESIGN <i>[Signature]</i> DETAIL <i>[Signature]</i> DATE <i>[Signature]</i> DRAWN <i>[Signature]</i>	SCALE SHEET 1 OF 9 REV E
	200439	
	2	

DATE	E.C. NO	DATE	E.C. NO	200439
SEE	SHT 1			RELEASED FOR ASSEMBLY



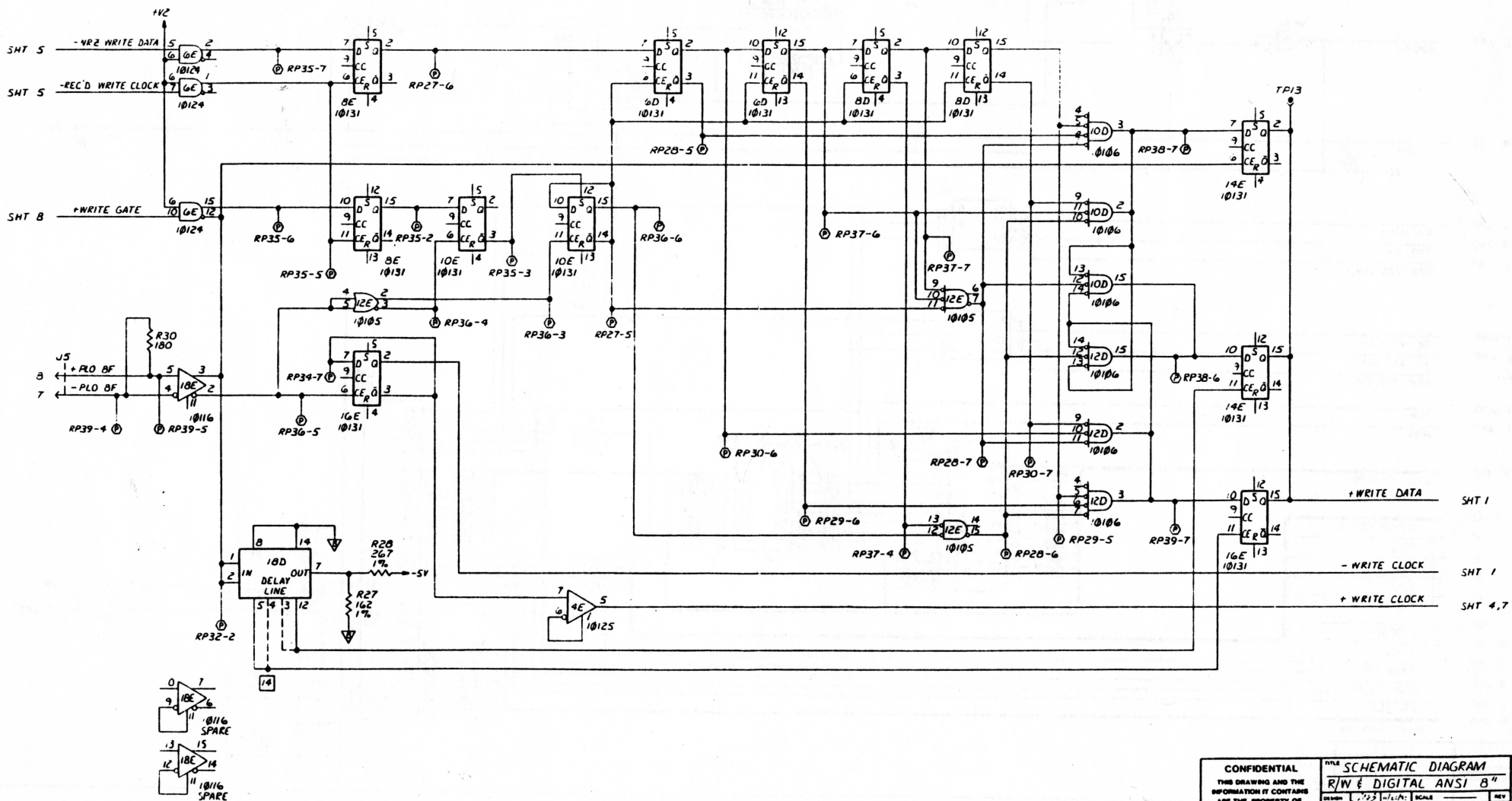
CONFIDENTIAL THIS DRAWING AND THE INFORMATION IT CONTAINS ARE THE PROPERTY OF PRIAM CORPORATION, ANY COPYING OR UNAUTHORIZED USE IS PROHIBITED	TITLE SCHMATIC DIAGRAM RW & DIGITAL ANSI B"	SCALE _____	SHEET 2 of 9	REV 8	
	DRAWN <i>[Signature]</i>	CHECKED <i>[Signature]</i>	DATE 6/17/62	DESIGNED D	
	APPROVED <i>[Signature]</i>	IN CHARGE <i>[Signature]</i>	PROJECT 200439	PART NO. 10116	QTY 1
	200439				

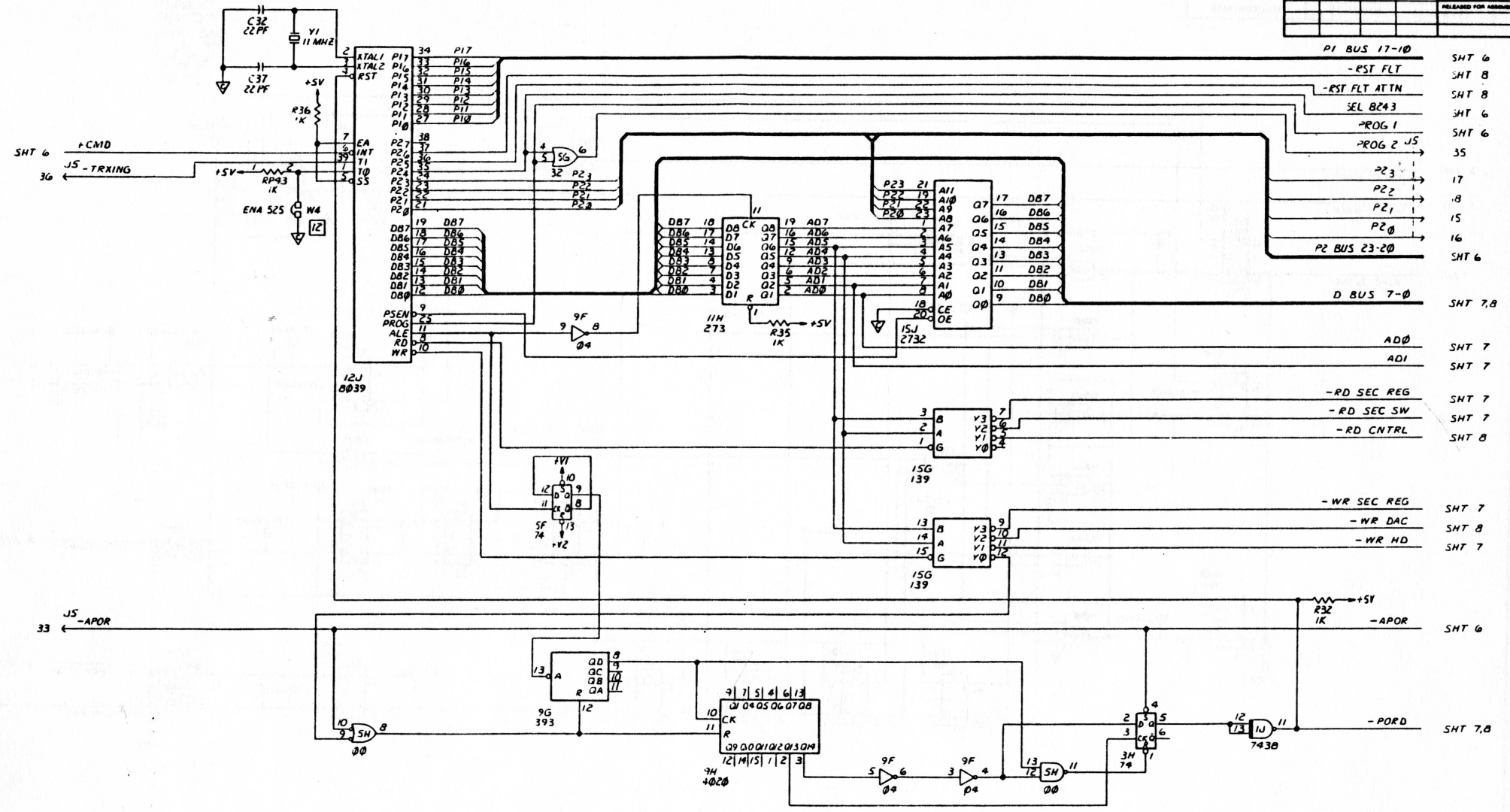
PRIAM



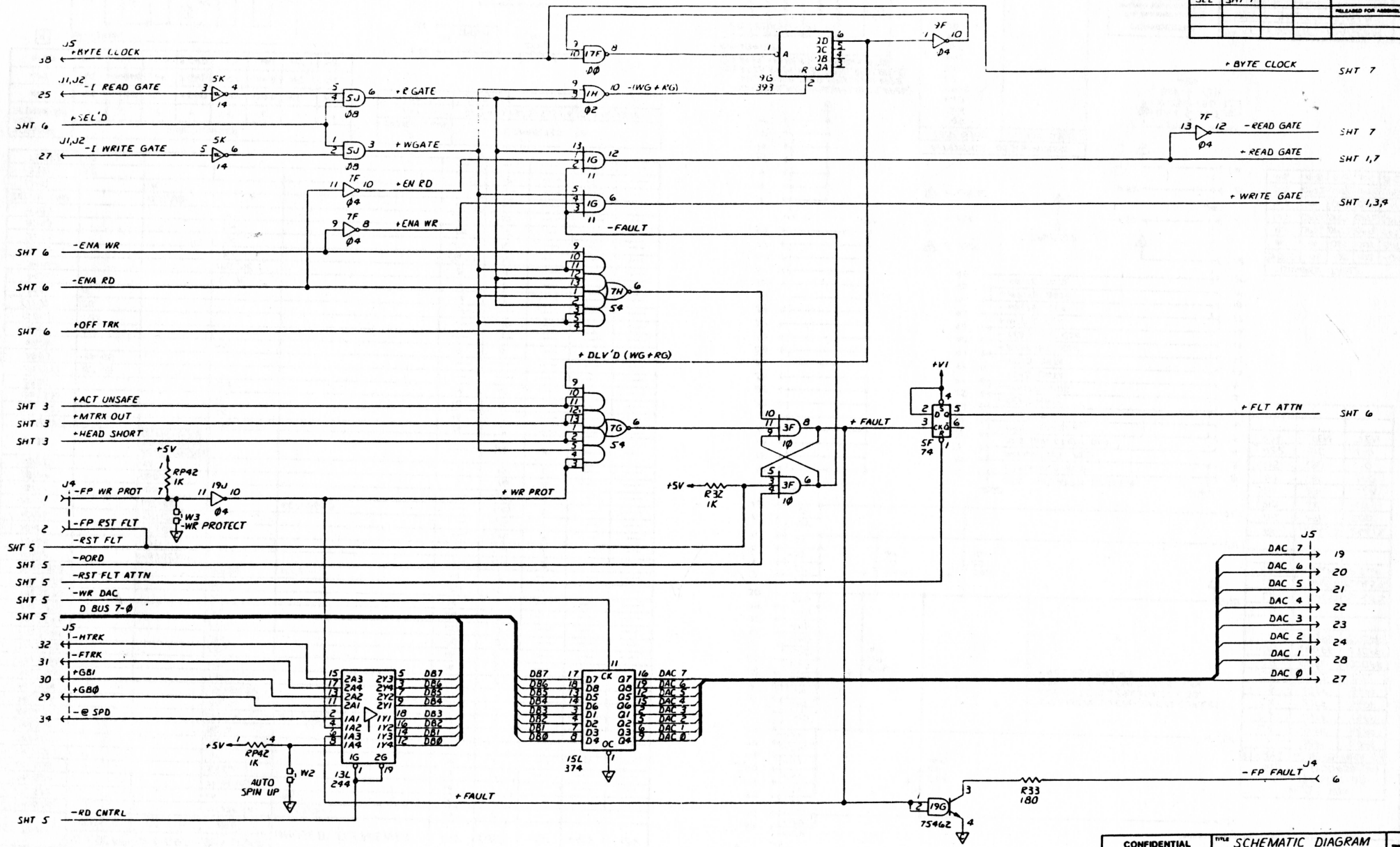
CONFIDENTIAL THIS DRAWING AND THE INFORMATION IT CONTAINS ARE THE PROPERTY OF PRIMA CORPORATION. ANY COPYING OR UNAUTHORIZED USE IS PROHIBITED.	TITLE SCHEMATIC DIAGRAM R/W & DIGITAL ANSI 8"	SCALE 1/8" = 1"	REV 1	
	DESIGN OLA	DATE 10-22-53	SHEET 3 OF 9	
	DRAWN GWT	CHECKED JLF	DATE 11-17-53	APP'D JLF
	200439			

PRAM





- PI BUS 17-10 SHT 6
- RST FLT SHT 8
- RST FLT ATTN SHT 8
- SEL B243 SHT 6
- *ROG 1 SHT 6
- *ROG 2 JS 35
- P23 17
- P22 18
- P21 15
- P20 16
- P2 BUS 23-20 SHT 6
- D BUS 7-0 SHT 7,8
- AD0 SHT 7
- AD1 SHT 7
- RD SEC REG SHT 7
- RD SEC SW SHT 7
- RD CNTRL SHT 8
- WR SEC REG SHT 7
- WR DAC SHT 8
- WR HD SHT 7
- APOR SHT 6
- PORD SHT 7,8

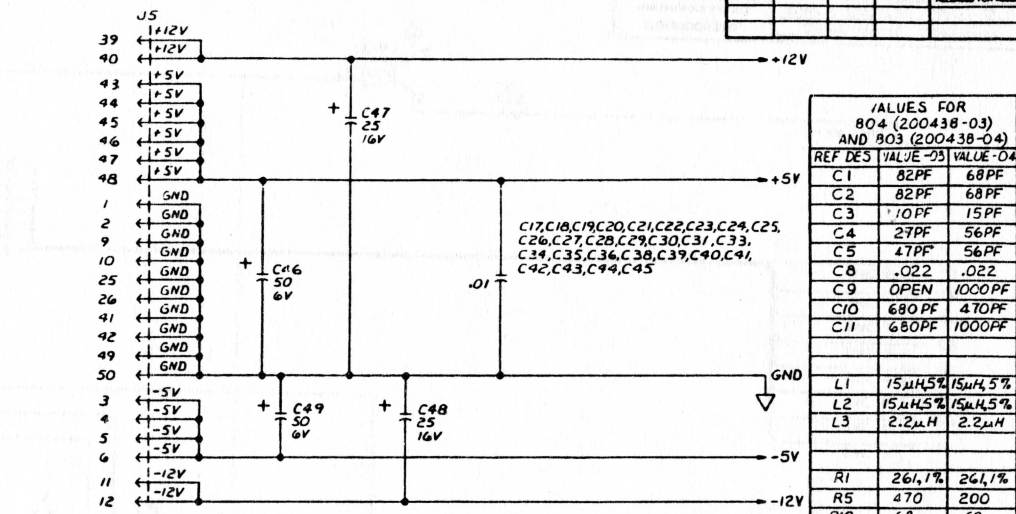
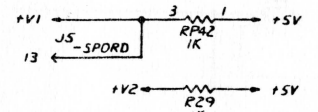


- J5
- DAC 7 → 19
- DAC 6 → 20
- DAC 5 → 21
- DAC 4 → 22
- DAC 3 → 23
- DAC 2 → 24
- DAC 1 → 28
- DAC 0 → 27

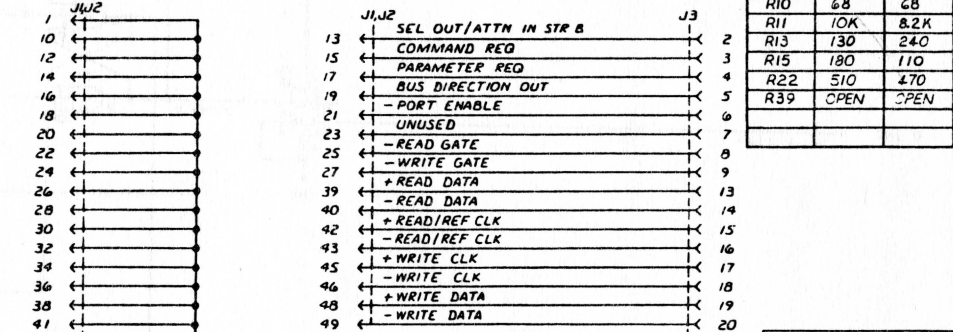
IC TYPE	IC LOCATION & GND		UNUSED ELEMENTS	+5V	GND	-5V	+12V	-12V
	BUS A	BUS B						
74LS00			11F,17F,5H	14	7			
74LS02			1H	14	7			
74LS04			7F,9F,19U	14	7			
74LS08			3I,5J	14	7			
74LS10			3F	14	7			
74LS11			1G	14	7			
74LS14			3G,5K	14	7			
74LS32			5G,19K	14	7			
74LS54			7G,7H	14	7			
74LS74			5F,15F,3H	14	7			
74LS109			13F	16	8			
74LS139			15G	16	8			
74LS175			13H	16	8			
74LS240			17H	20	10			
74LS244			13L	20	10			
74LS273			11H	20	10			
74LS280			7J	14	7			
74LS374			15L	20	10			
74LS393			18F,9G	14	7			
10102	14B,19C,4D				1,16	8		
10104	20D				1,16	8		
10105	2C,12E				1,16	8		
10106	10D,12D				1,16	8		
10116	6C,18E		6C2,18E2,3		1,16	8		
10117	18B				1,16	8		
10124	16D,6E				9	16	8	
10125	4E				9	16	8	
10131	4C,14C,20C,2D,6D,8D,14D,2E,8E,10E,14E,12E					1,16	8	
74LS164			13G		14	7		
26LS31			3K		16	8		
26LS32			1K		16	8		
2732			15J		24	12		
2N2907	8B,12B							
3083	12A,10B							
4020		9H			16	8		
(592)	16A							
(685)	18A					1,16		
(723)	2B							
7406	1C				14	7		
7438			1J,17L		14	7		
75962			19G,19L		8	4		
8039			12U	26,40	20			
8243			17J		24	12		
8253			15H		24	12		
8303			7K		20	10		
DELAY LINE (310)		16B,18D						
(339)	6B	9C						
TL072	4B							

RESISTOR PACK DESIGNATION	PIN NUMBER							
	1	2	3	4	5	6	7	8
RP1	N/C	+VA3	+12V	A GND	-12V	-VA3	N/C	N/C
RP7	N/C	+VA(6V)	+6V	B GND	-5V	-VA(-5V)	N/C	N/C
RP20	N/C	+VA2	+12V	B GND	-12V	-VA2	N/C	N/C

V DESIGNATION	CONNECTED TO
+V1	5F2,4,10,13F5,15,15F4,10,3H10,13H1
+V2	5F13,6C6

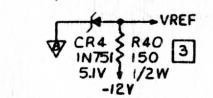


VALUES FOR 804 (200438-03) AND 803 (200438-04)			
REF DES	VALUE -03	VALUE -04	
C1	82PF	68PF	
C2	82PF	68PF	
C3	10PF	15PF	
C4	27PF	56PF	
C5	47PF	56PF	
C8	.022	.022	
C9	OPEN	1000PF	
C10	680PF	470PF	
C11	680PF	1000PF	
L1	15μH,5%	15μH,5%	
L2	15μH,5%	15μH,5%	
L3	2.2μH	2.2μH	
R1	261,1%	261,1%	
R5	470	200	
R10	68	68	
R11	10K	8.2K	
R13	130	240	
R15	180	110	
R22	510	470	
R39	OPEN	OPEN	

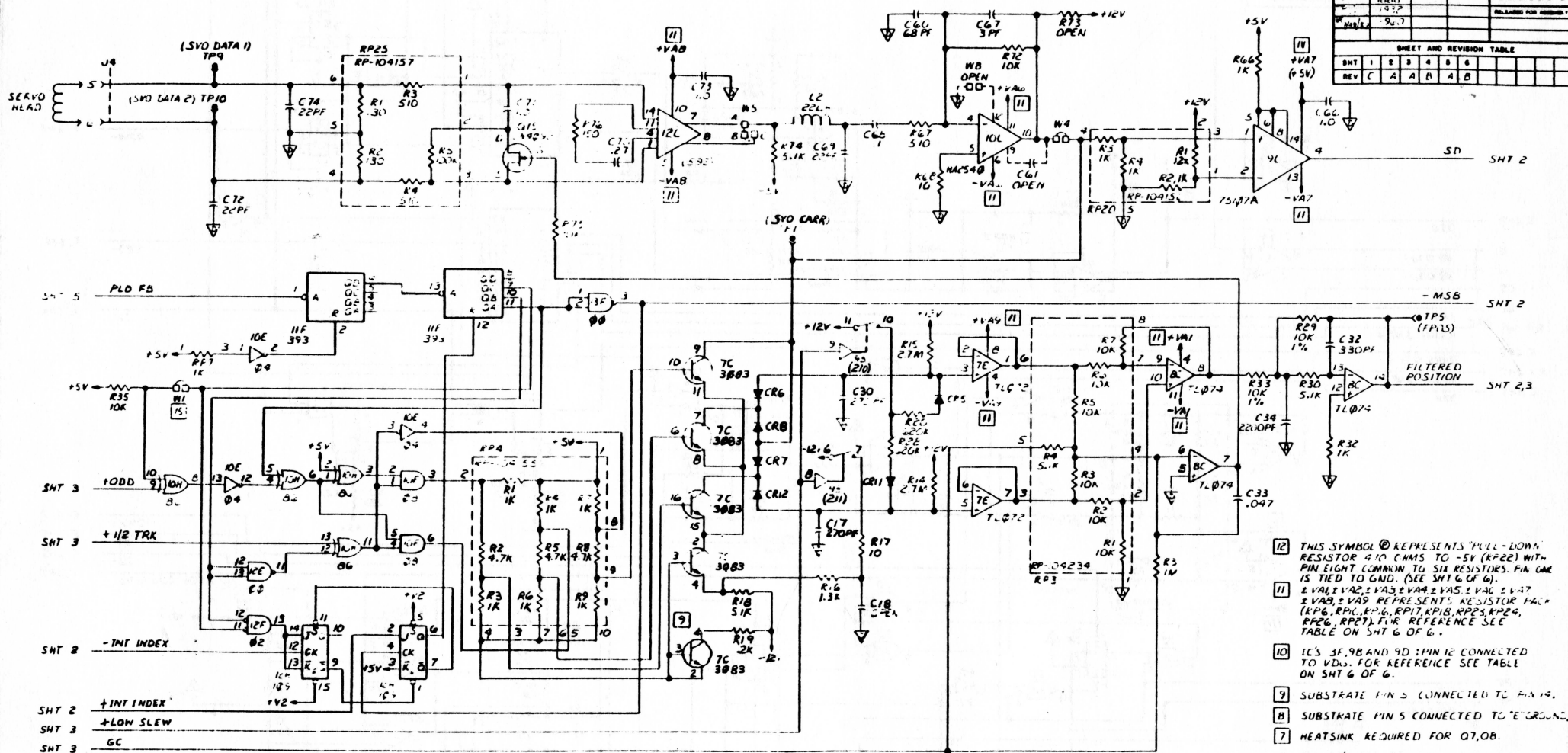


REFERENCE DESIGNATIONS	
LAST USED	NOT USED
C49	
CR4	
R40	
RP43	
L3	
TP13	
W6	
Q15	
Y1	
J6	
RP15, RP16, RP17, RP18, RP19, RP25, RP26, RP27, RP28, RP29, RP30, RP31, RP32, RP33, RP34, RP35, RP36, RP37, RP38, RP39, (R1, R2, R3, R4, R5, R6 = 470)	
TP7	

JUMPER TABLE				
W/DES	-01	-02	-03	-04
W1	IN	OUT	OUT	OUT
W2	OPTL	OPTL	OPTL	OPTL
W3	OPTL	OPTL	OPTL	OPTL
W4	IN	OUT	OUT	IN
W5	OPTL	OPTL	OPTL	OPTL
W6	A-B	A-B	B-C	B-C



DATE	E/C NO	DATE	E/C NO	200503-2
1	1000			
2	1000			
3	1000			
4	1000			
5	1000			
6	1000			
7	1000			
8	1000			
9	1000			
10	1000			



- [12] THIS SYMBOL $\text{\textcircled{12}}$ REPRESENTS "PULL-DOWN" RESISTOR 410 OHMS TO -5V (R22) WITH PIN EIGHT (COMMON) TO SIX RESISTORS. PIN ONE IS TIED TO GND. (SEE SHT 6 OF 6).
- [11] $\pm V_{A1}, \pm V_{A2}, \pm V_{A3}, \pm V_{A4}, \pm V_{A5}, \pm V_{A6}, \pm V_{A7}, \pm V_{A8}, \pm V_{A9}$ REPRESENTS RESISTOR FACTOR (R16, R17, R18, R19, R20, R21, R22, R23, R24, R25, R26, R27). FOR REFERENCE SEE TABLE ON SHT 6 OF 6.
- [10] IC'S 3F, 9B AND 9D: PIN 12 CONNECTED TO V_{DD} . FOR REFERENCE SEE TABLE ON SHT 6 OF 6.
- [9] SUBSTRATE PIN 5 CONNECTED TO PIN 14.
- [8] SUBSTRATE PIN 5 CONNECTED TO "E" GROUND.
- [7] HEATSINK REQUIRED FOR Q7, Q8.

[] FOR 804 (200504-2), SEE JUMPER TABLE ON SHT 6 OF 6.

[15] JUMPERS SHOWN ARE FOR 34501705C (MSA), 200505-2. FOR REFERENCE SEE JUMPER TABLE ON SHT 6 OF 6.

M. FOR 34501705C USE 200504-2, FOR 34501705C (MSA), USE 200505-2, AND FOR 804 USE 200506-2.

[13] CUSTOMER OPTION: CAPACITOR C6 (LOCATED ON SHEET 6 OF 6) INSTALLED BY CUSTOMER AS REQUIRED.

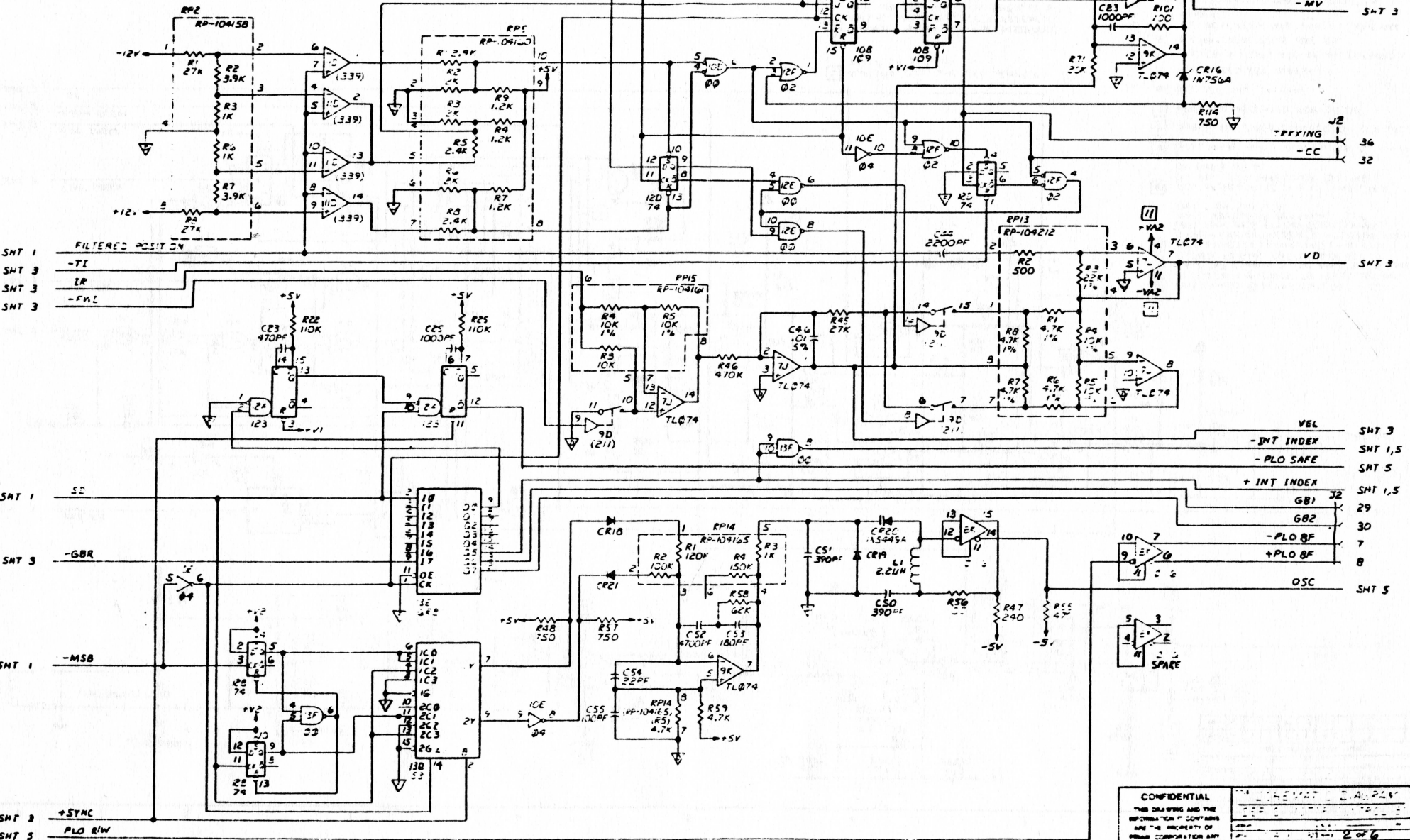
- 6. ALL IC'S ARE 74LSXXX.
- 5. ALL DIODES ARE IN4454.
- 4. ALL CAPACITORS ARE IN MICROFARADS.
- 3. ALL "PF" CAPACITORS ARE 5%.
- 2. ALL RESISTORS ARE 1/4W, 5%, AND ARE IN OHMS.

- 1. THIS SCHEMATIC DIAGRAM REFERENCE TO:
 - ASM 200504-2 AT EC LEVEL 1000
 - ASM 200505-2 AT EC LEVEL 1000
 - ASM 200506-2 AT EC LEVEL 1000
- NOTES: (UNLESS OTHERWISE SPECIFIED)

CONFIDENTIAL	SHEET NO		SHEET TOTAL	
	1	1	1	1
THIS DRAWING AND THE INFORMATION IT CONTAINS ARE THE PROPERTY OF PHILIPS CORPORATION ANY COPYING OR UNAUTHORIZED USE IS PROHIBITED	DATE		REV	
	1	1	1	1
SHEET NO		SHEET TOTAL		PRAM
1	1	1	1	

SHT 3 -Q52
 SHT 3 +MOVE
 SHT 3 +FWD ⊕ 000

DATE	ECNO	DATE	ECNO	200503-2
SEE	SHT 1			RELEASE FOR APPROVAL

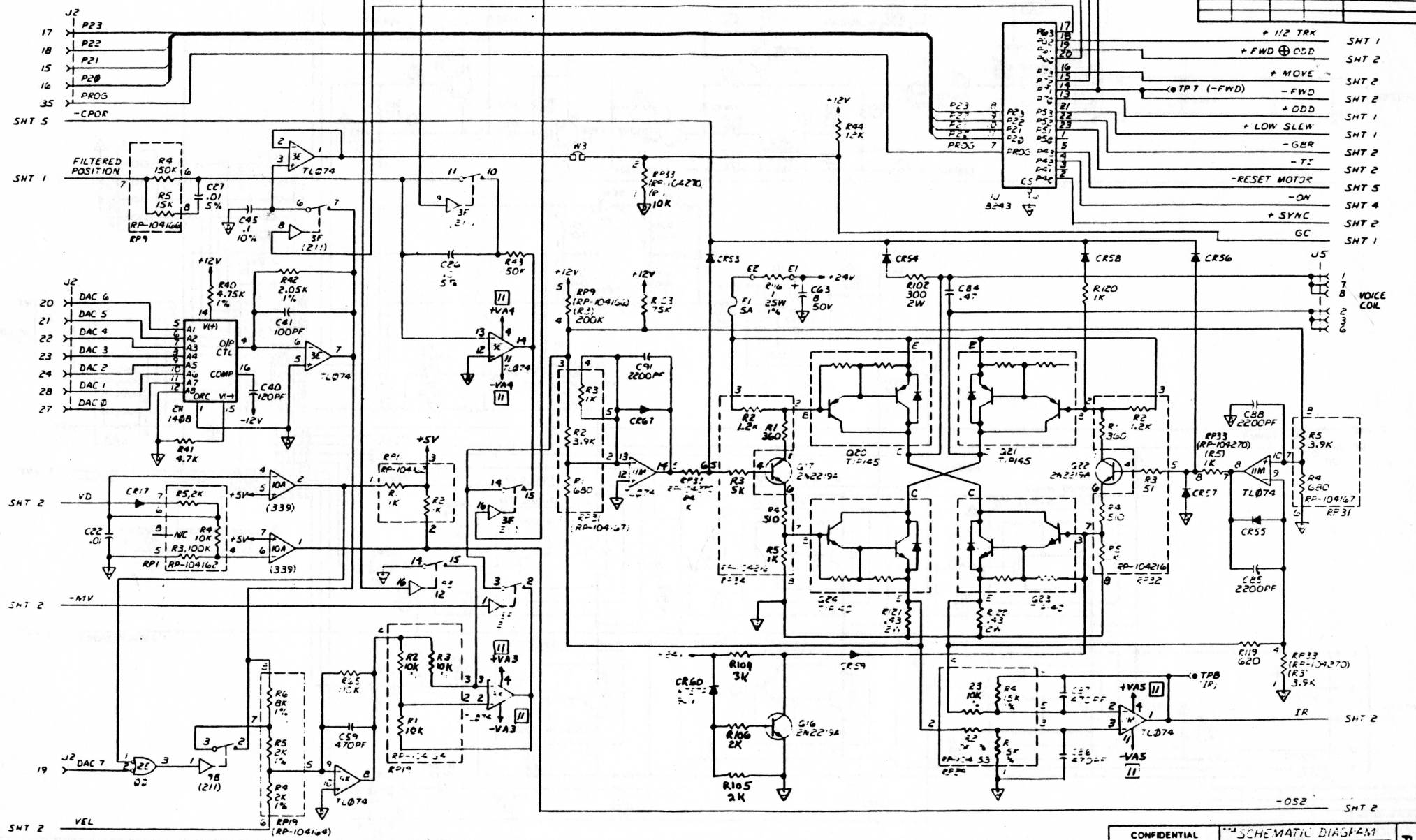


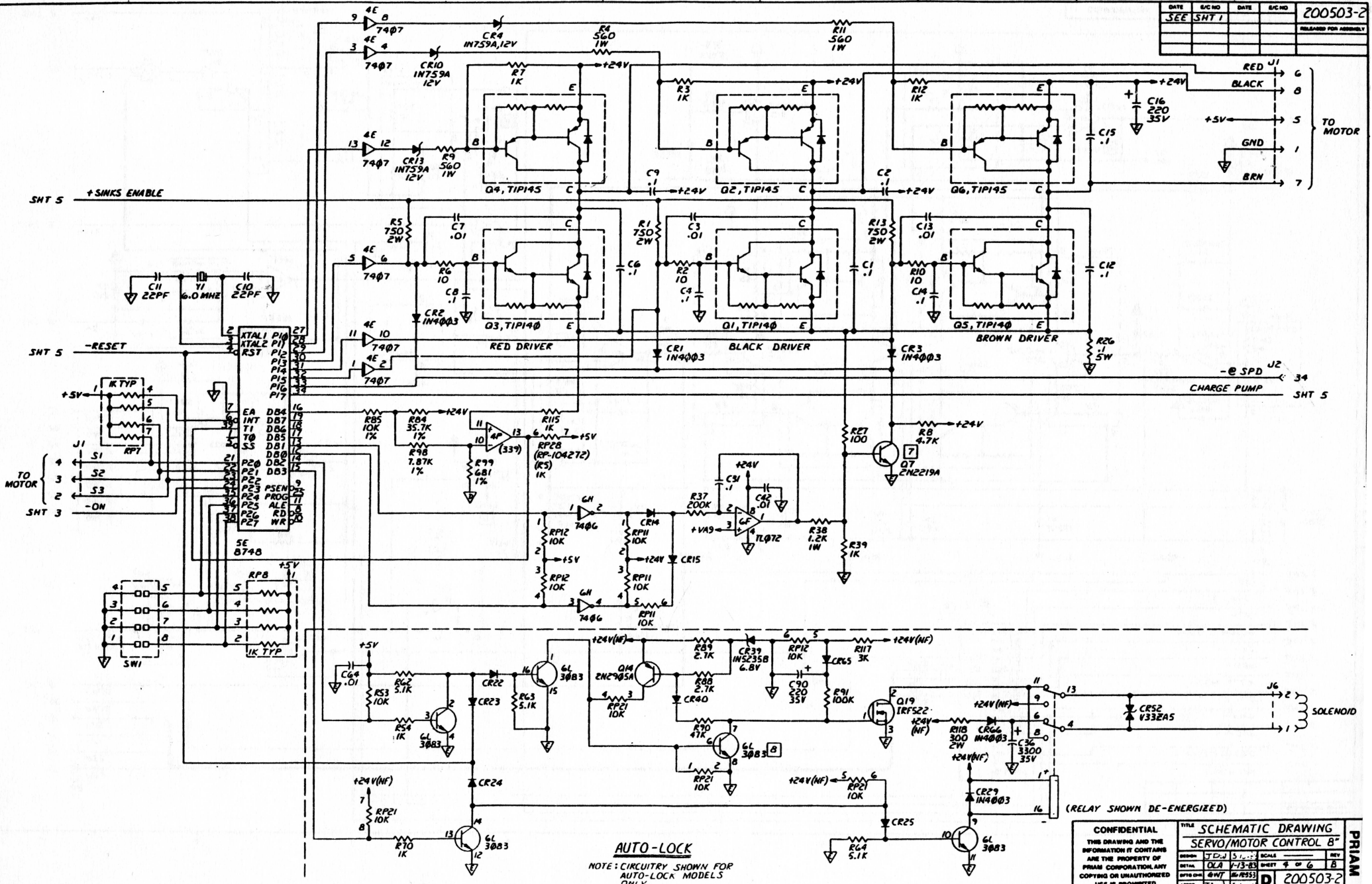
SHT 1 FILTERED POSITION
 SHT 3 -TI
 SHT 3 IR
 SHT 3 -FAL

SHT 1 SD
 SHT 3 -GBR
 SHT 1 -MSB
 SHT 3 +SYMC
 SHT 5 PLO R/W

FC J2 31
 -MV SHT 3
 TRF J2 36
 -CC 32
 VD SHT 3
 VEL SHT 3
 -INT INDEX SHT 1,5
 -PLO SAFE SHT 5
 +INT INDEX SHT 1,5
 GB1 32
 GB2 29
 -PLO BF 30
 +PLO BF 7
 OSC SHT 5 8

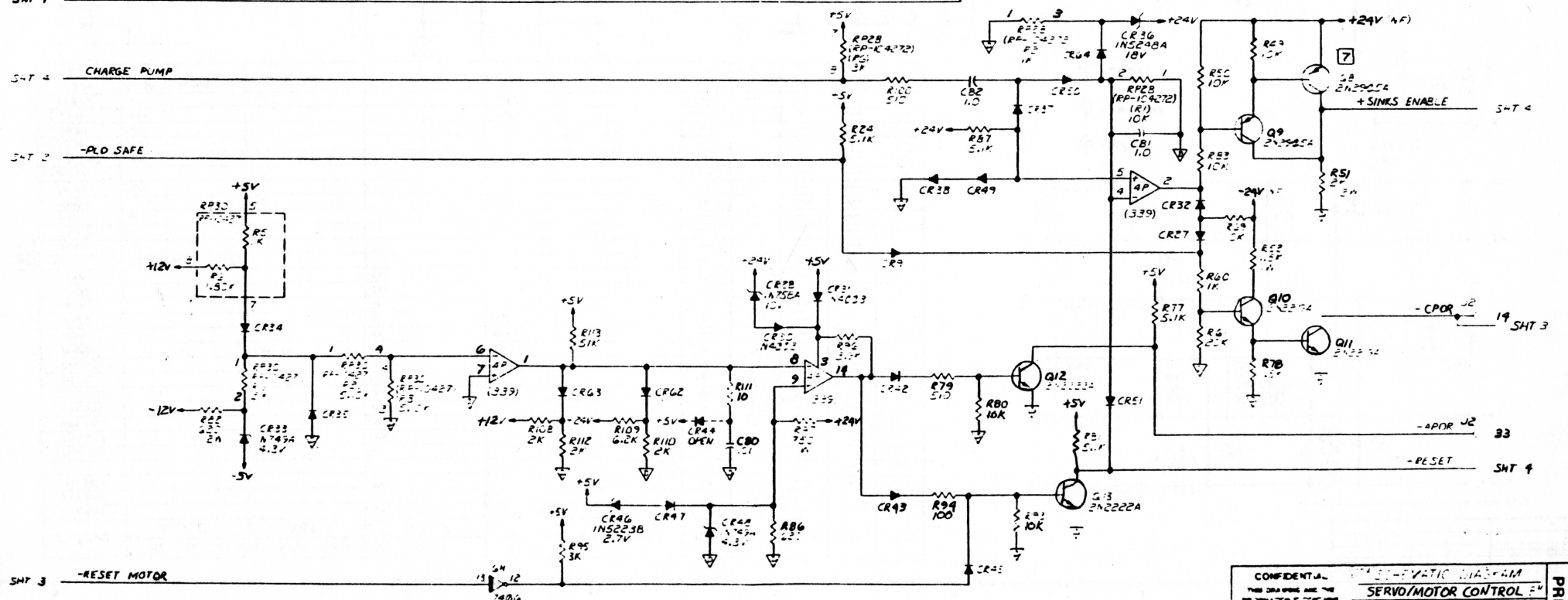
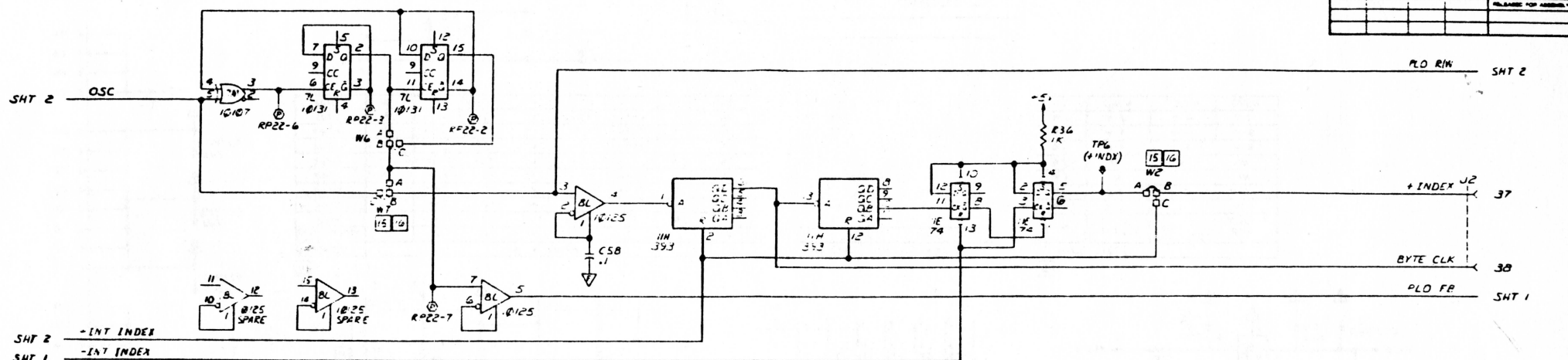
CONFIDENTIAL
 THE DRAWING AND THE INFORMATION CONTAINED HEREIN ARE THE PROPERTY OF PERIOD CORPORATION AND COPIES OR REPRODUCTION THEREOF ARE UNAUTHORIZED.
 2 of 6
 PHRAM
 D





AUTO-LOCK
 NOTE: CIRCUITRY SHOWN FOR
 AUTO-LOCK MODELS
 ONLY.

DATE	EC NO	DATE	EC NO	200503-2
SEE	SHT 1			RELEASE FOR ASSEMBLY



SHT 3 -RESET MOTOR

CONFIDENTIAL	SYNCHRONOUS DIAGRAM
THIS DRAWING AND THE INFORMATION CONTAINED HEREIN ARE THE PROPERTY OF THE UNITED STATES GOVERNMENT AND ARE LOANED TO YOU BY THE NATIONAL BUREAU OF STANDARDS. IT IS TO BE RETURNED TO THE NATIONAL BUREAU OF STANDARDS AT THE END OF THE LOAN PERIOD.	SERVO/MOTOR CONTROL
DATE	REV
200503-2	5
DATE	REV
	6
DATE	REV
	7
DATE	REV
	8
DATE	REV
	9
DATE	REV
	10
DATE	REV
	11
DATE	REV
	12
DATE	REV
	13
DATE	REV
	14
DATE	REV
	15
DATE	REV
	16
DATE	REV
	17
DATE	REV
	18
DATE	REV
	19
DATE	REV
	20
DATE	REV
	21
DATE	REV
	22
DATE	REV
	23
DATE	REV
	24
DATE	REV
	25
DATE	REV
	26
DATE	REV
	27
DATE	REV
	28
DATE	REV
	29
DATE	REV
	30
DATE	REV
	31
DATE	REV
	32
DATE	REV
	33
DATE	REV
	34
DATE	REV
	35
DATE	REV
	36
DATE	REV
	37
DATE	REV
	38
DATE	REV
	39
DATE	REV
	40
DATE	REV
	41
DATE	REV
	42
DATE	REV
	43
DATE	REV
	44
DATE	REV
	45
DATE	REV
	46
DATE	REV
	47
DATE	REV
	48
DATE	REV
	49
DATE	REV
	50
DATE	REV
	51
DATE	REV
	52
DATE	REV
	53
DATE	REV
	54
DATE	REV
	55
DATE	REV
	56
DATE	REV
	57
DATE	REV
	58
DATE	REV
	59
DATE	REV
	60
DATE	REV
	61
DATE	REV
	62
DATE	REV
	63
DATE	REV
	64
DATE	REV
	65
DATE	REV
	66
DATE	REV
	67
DATE	REV
	68
DATE	REV
	69
DATE	REV
	70
DATE	REV
	71
DATE	REV
	72
DATE	REV
	73
DATE	REV
	74
DATE	REV
	75
DATE	REV
	76
DATE	REV
	77
DATE	REV
	78
DATE	REV
	79
DATE	REV
	80
DATE	REV
	81
DATE	REV
	82
DATE	REV
	83
DATE	REV
	84
DATE	REV
	85
DATE	REV
	86
DATE	REV
	87
DATE	REV
	88
DATE	REV
	89
DATE	REV
	90
DATE	REV
	91
DATE	REV
	92
DATE	REV
	93
DATE	REV
	94
DATE	REV
	95
DATE	REV
	96
DATE	REV
	97
DATE	REV
	98
DATE	REV
	99
DATE	REV
	100

PRIAM

