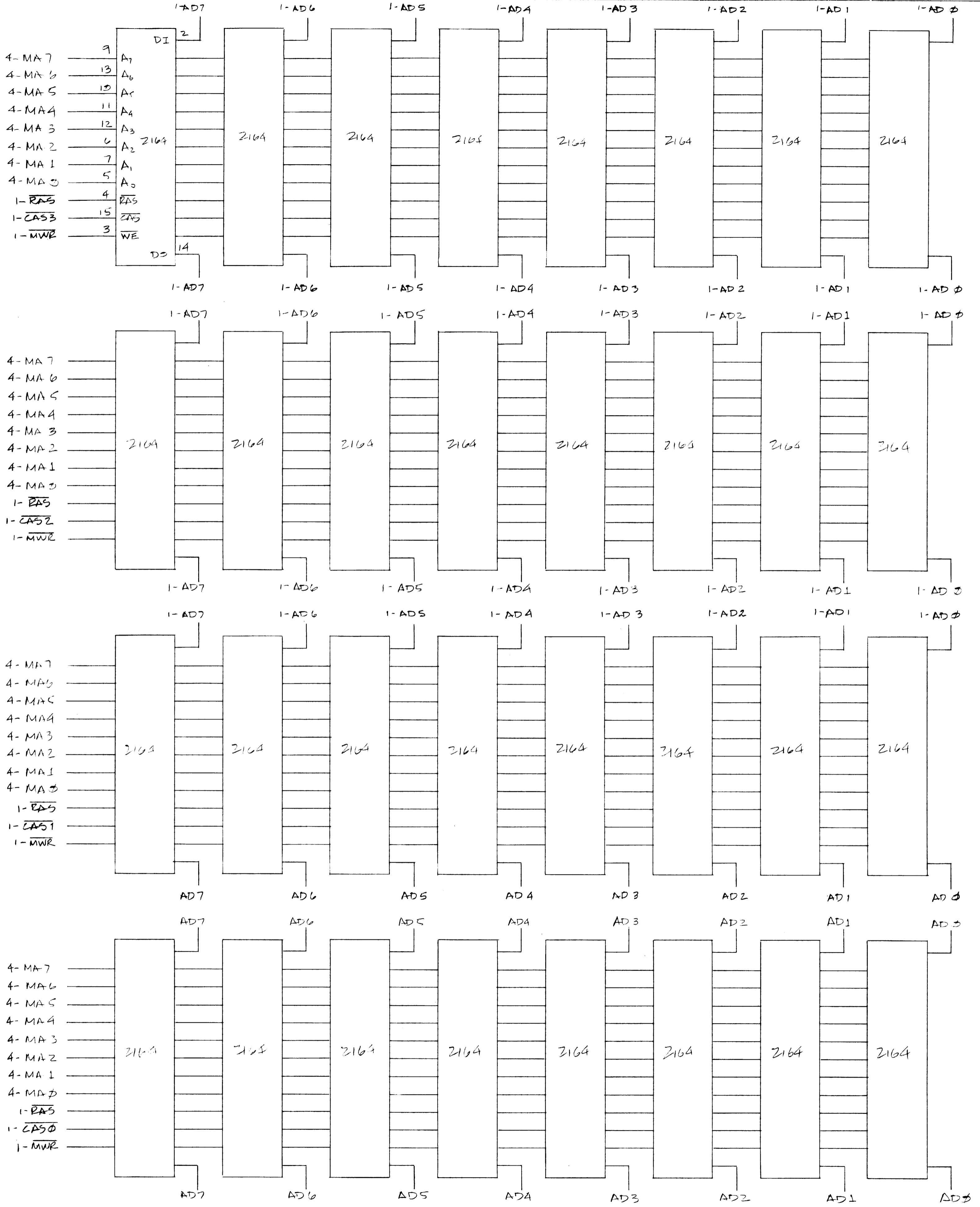
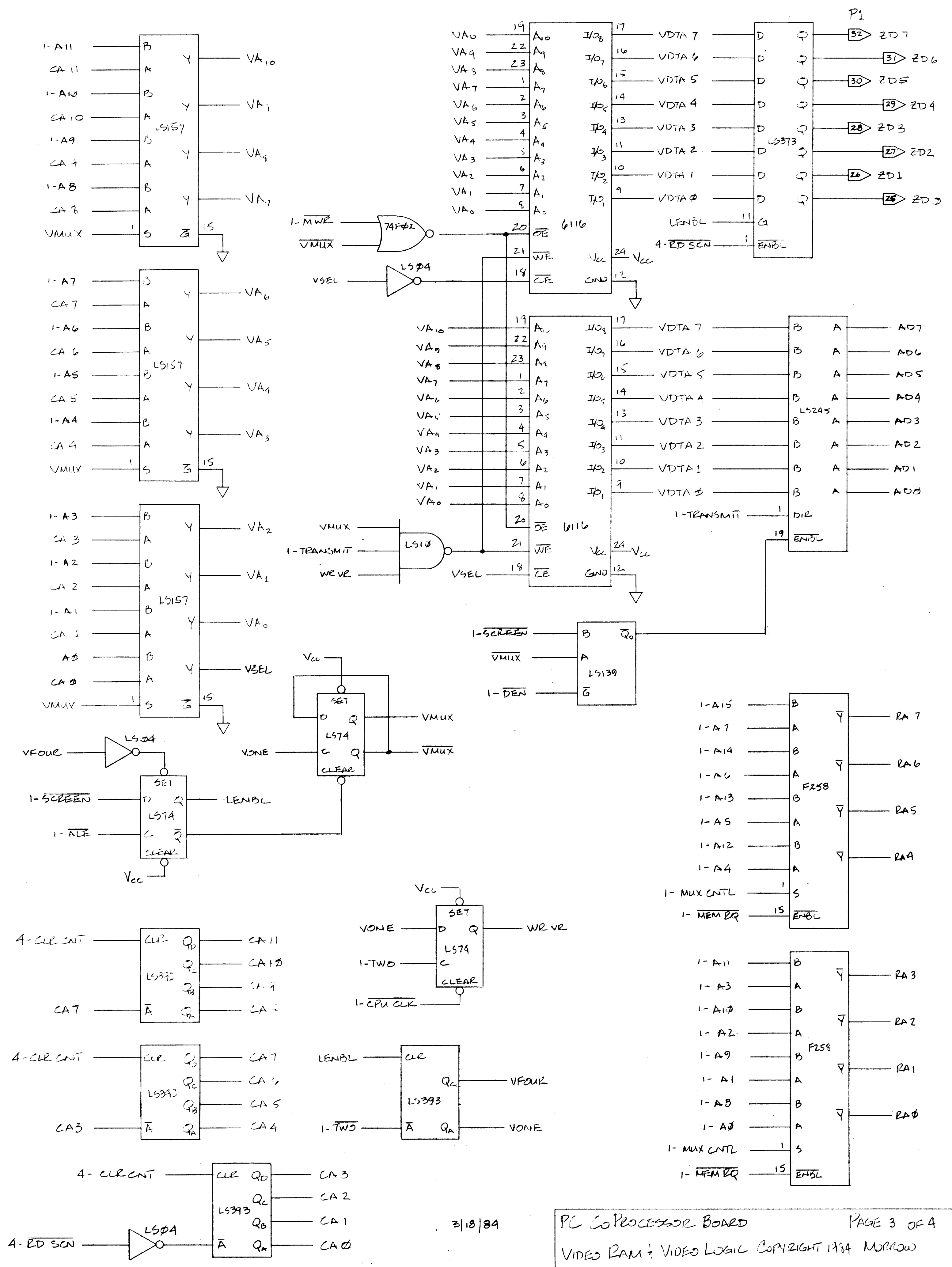
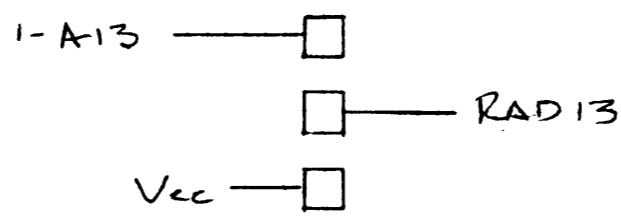
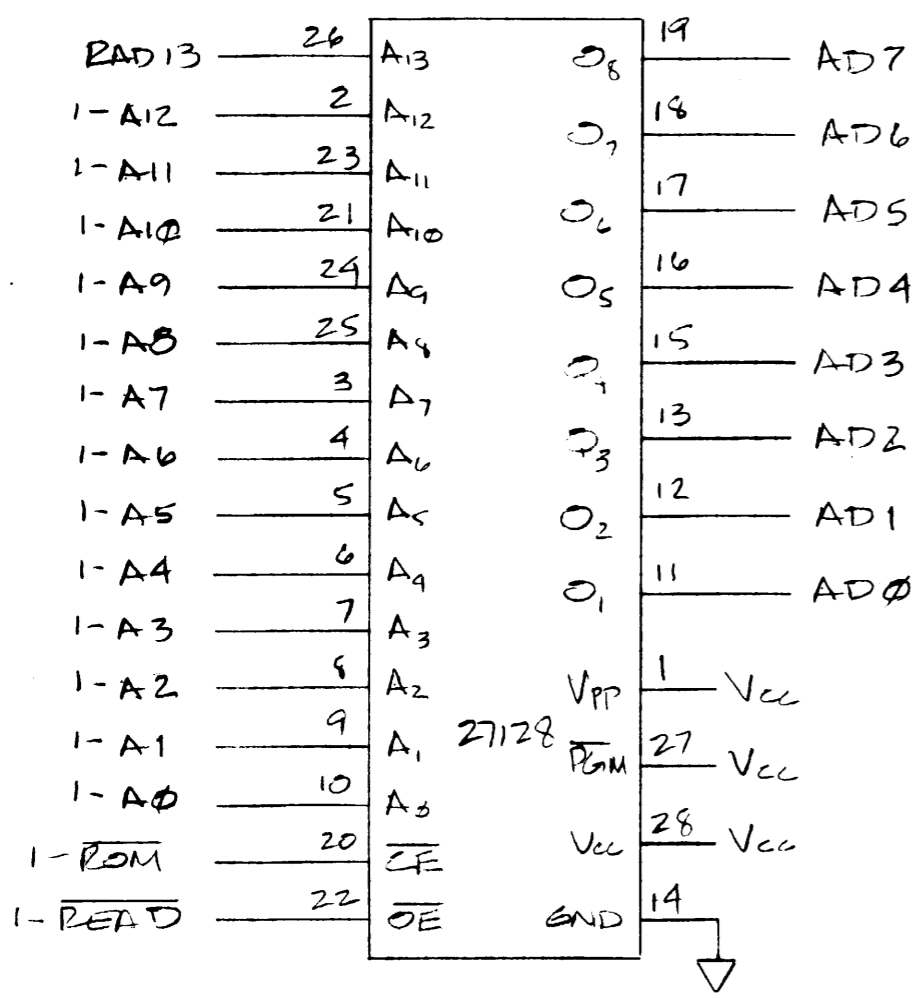


3/18/84

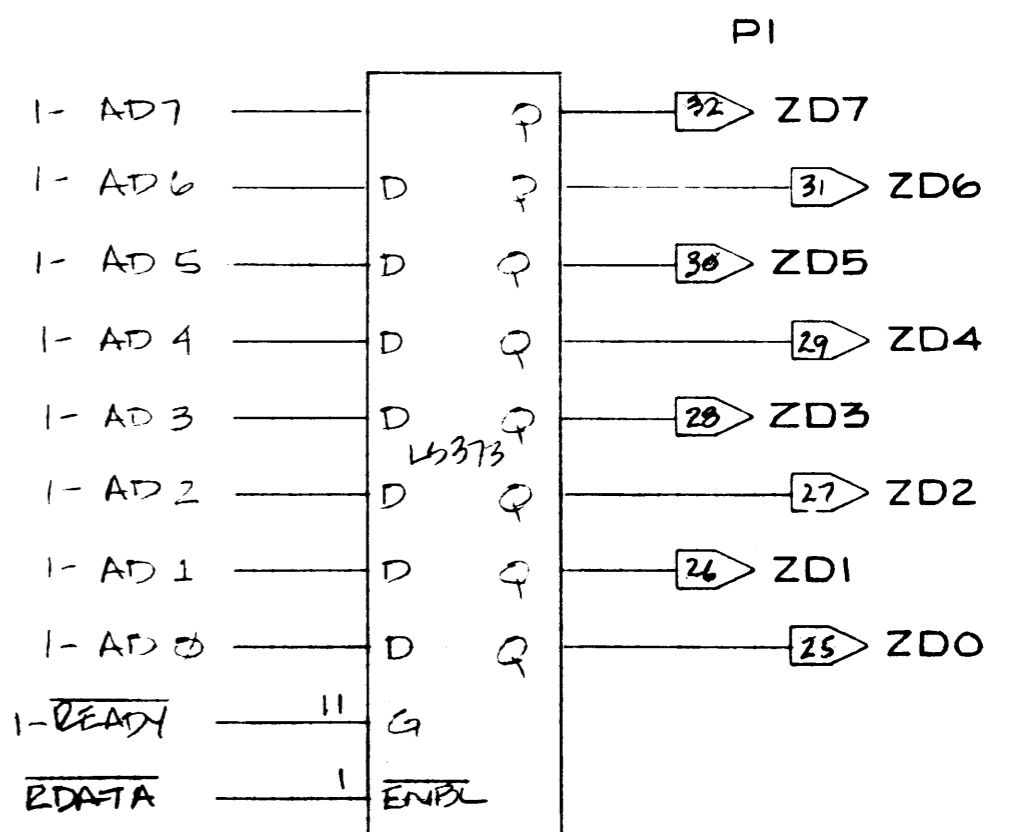
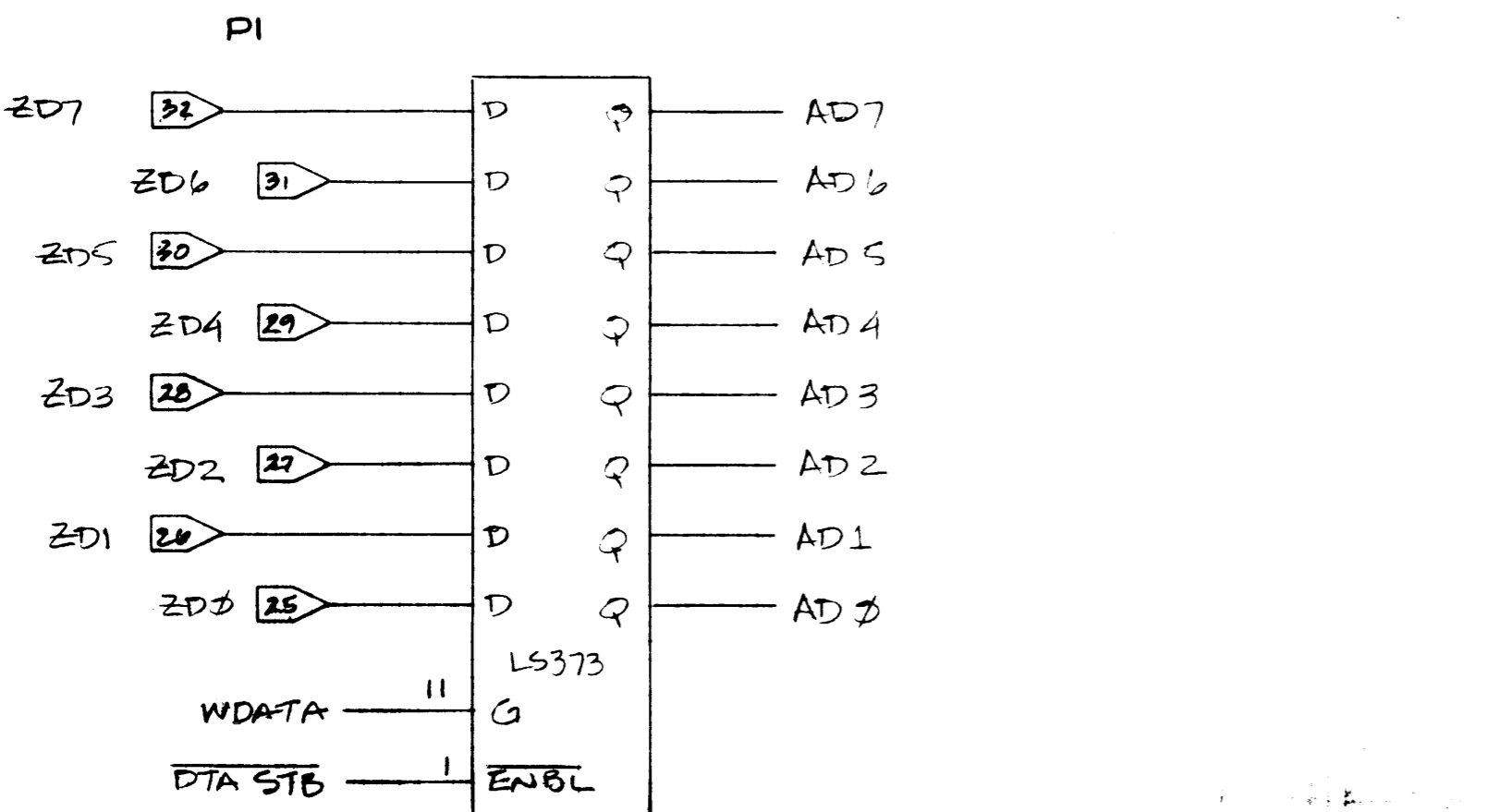
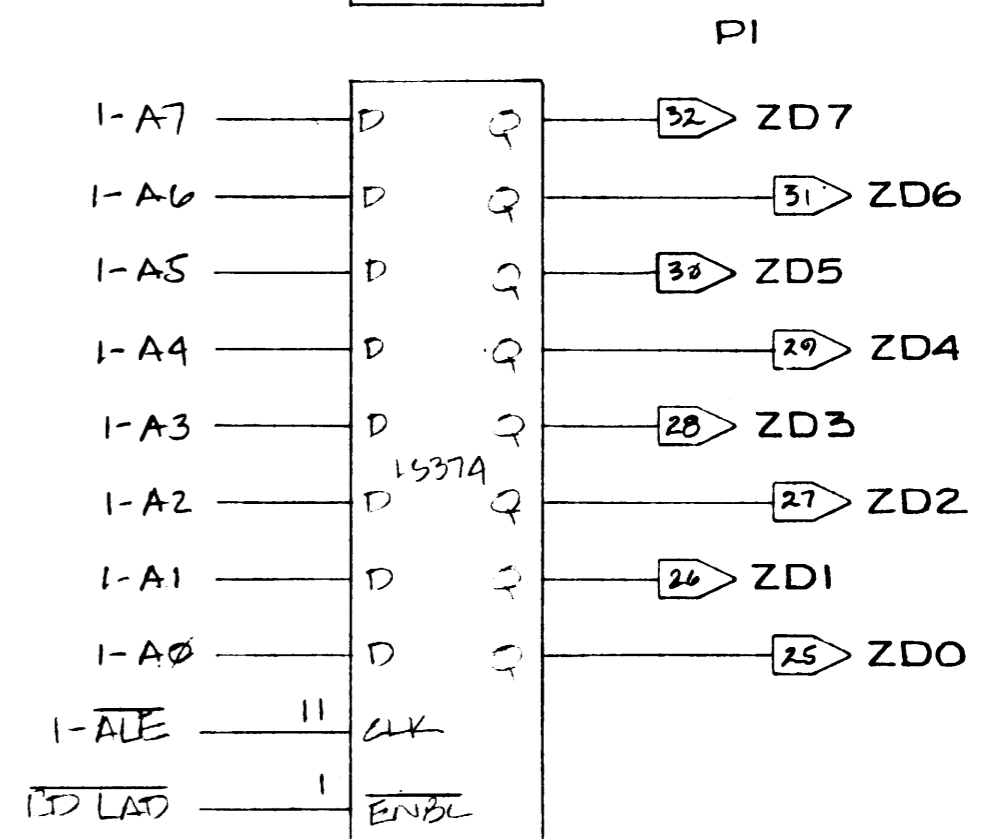
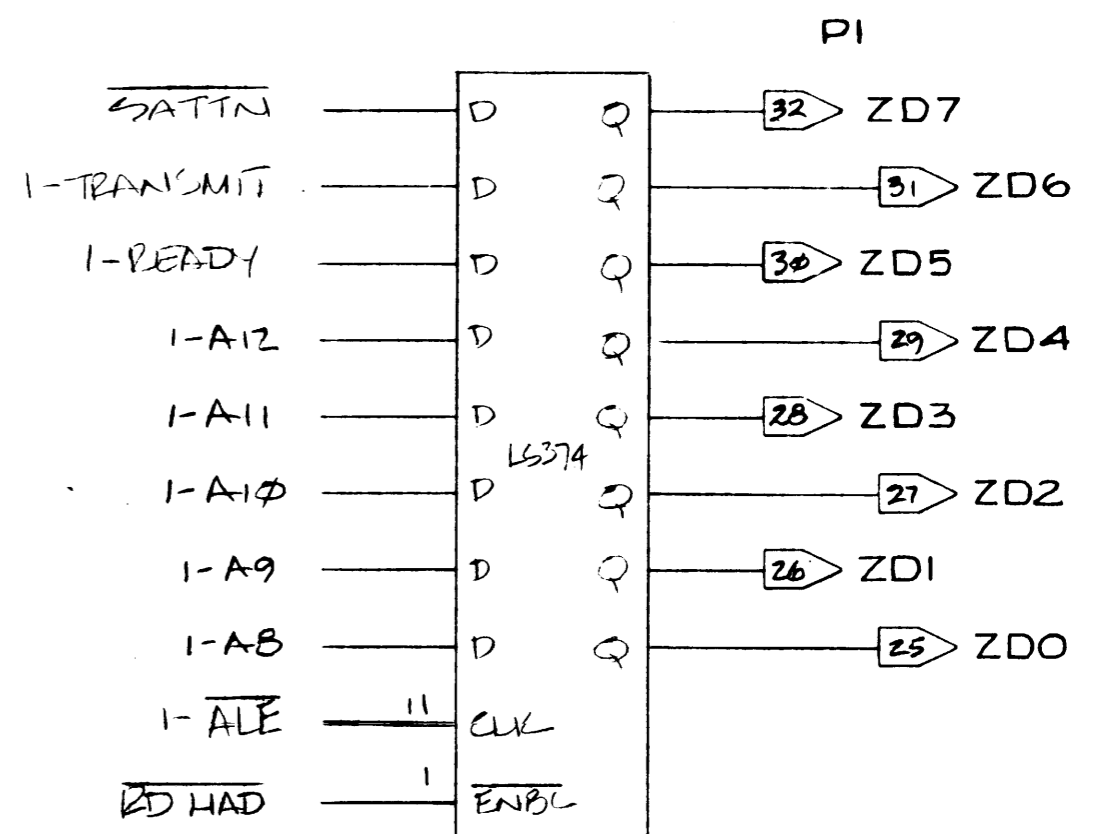
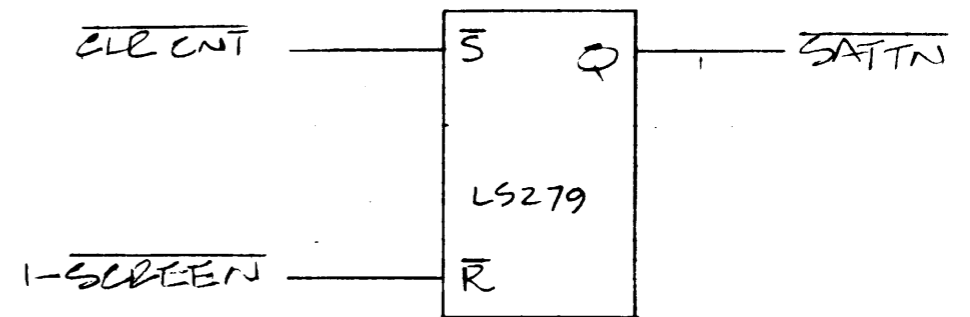
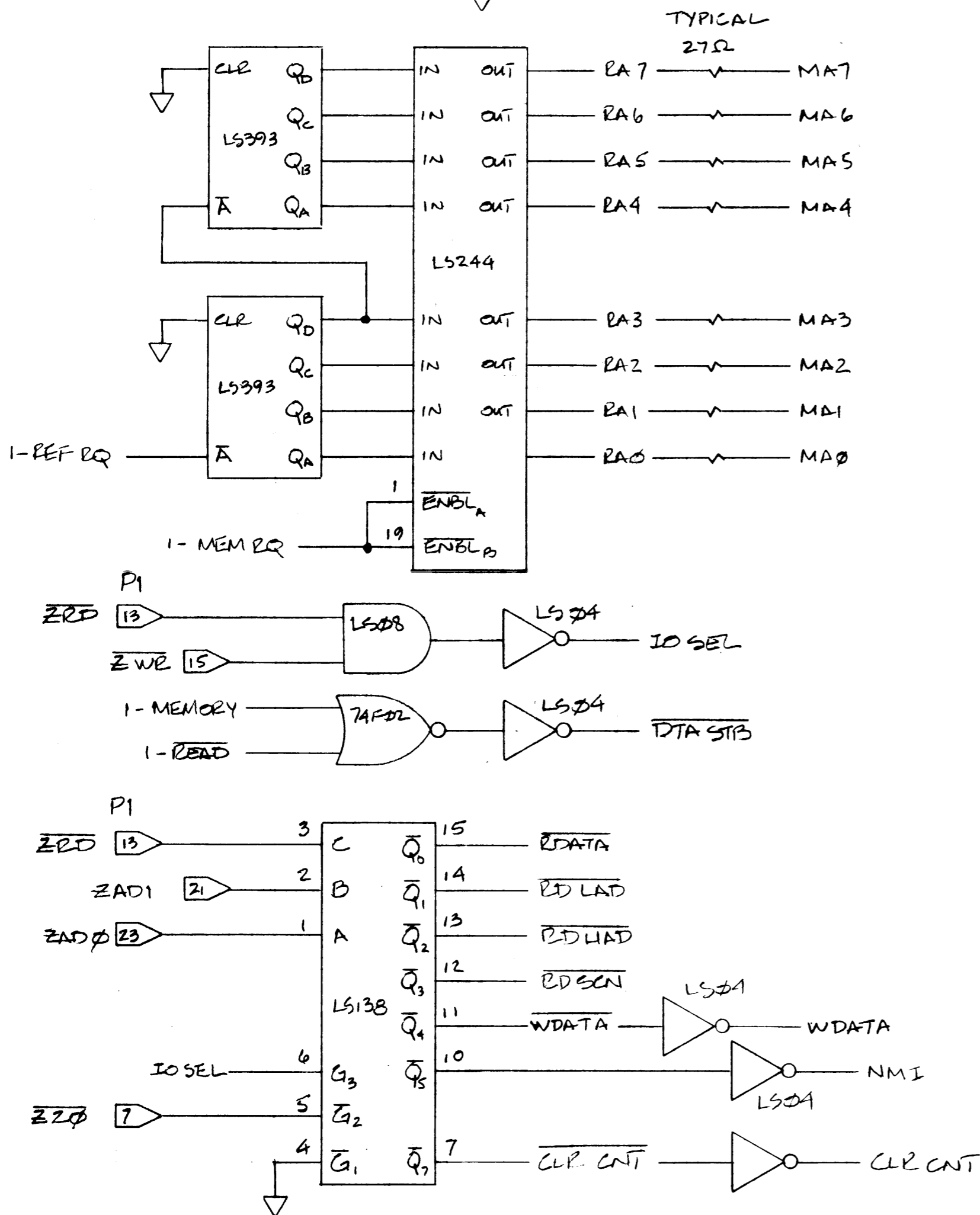




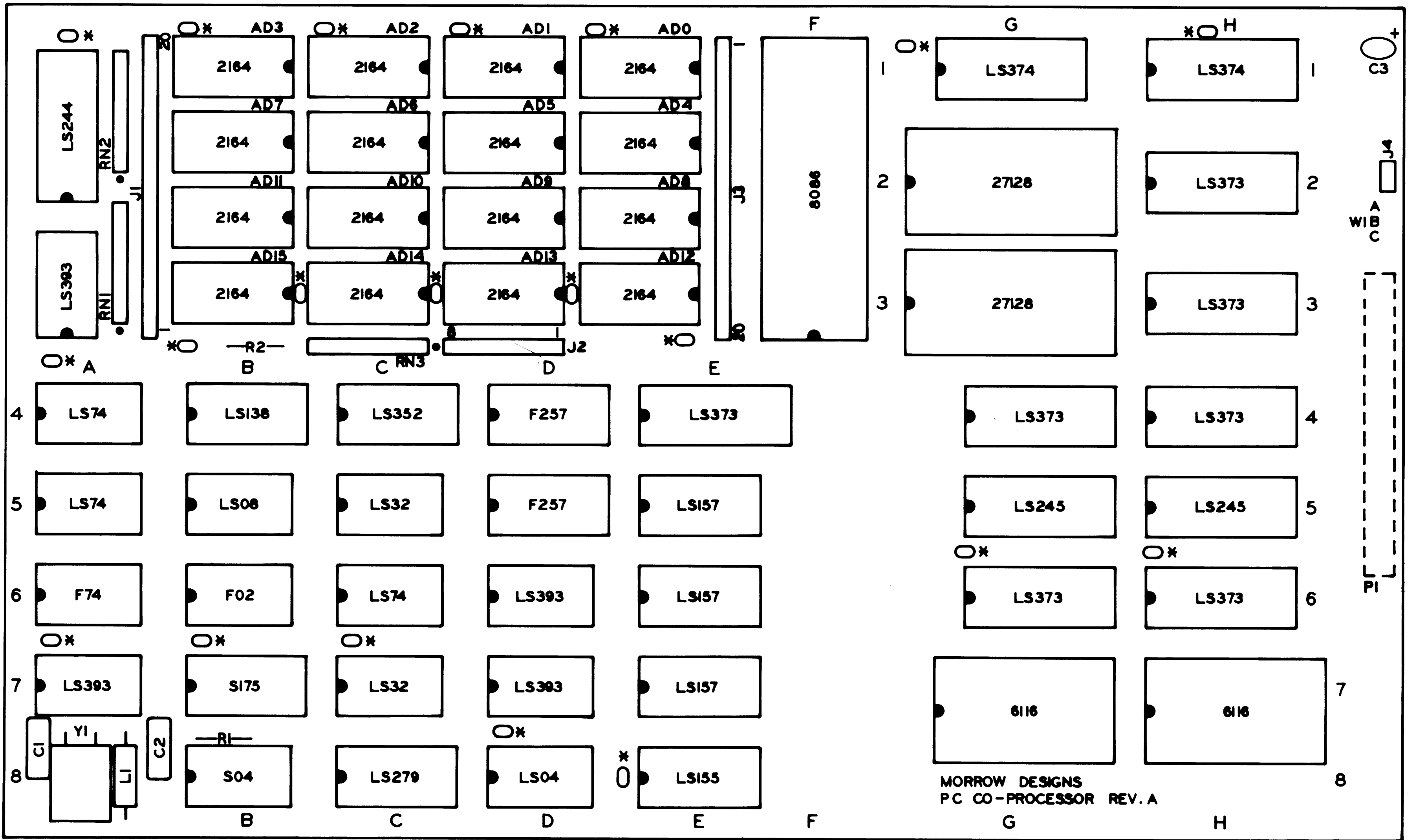
3/18/84



PI IS A 34 PIN DUAL-IN-LINE CONNECTOR
 PINS 1, 2, 4, 6, 8, 10, 12, 14, 16, 18, 20, AND 22 ARE GROUNDED.
 ALL OTHER UNMARKED PINS ARE TO LEFT OPEN



3/18/84



MORROW DESIGNS PC CO-PROCESSOR REV. A COMPONENT LEGEND