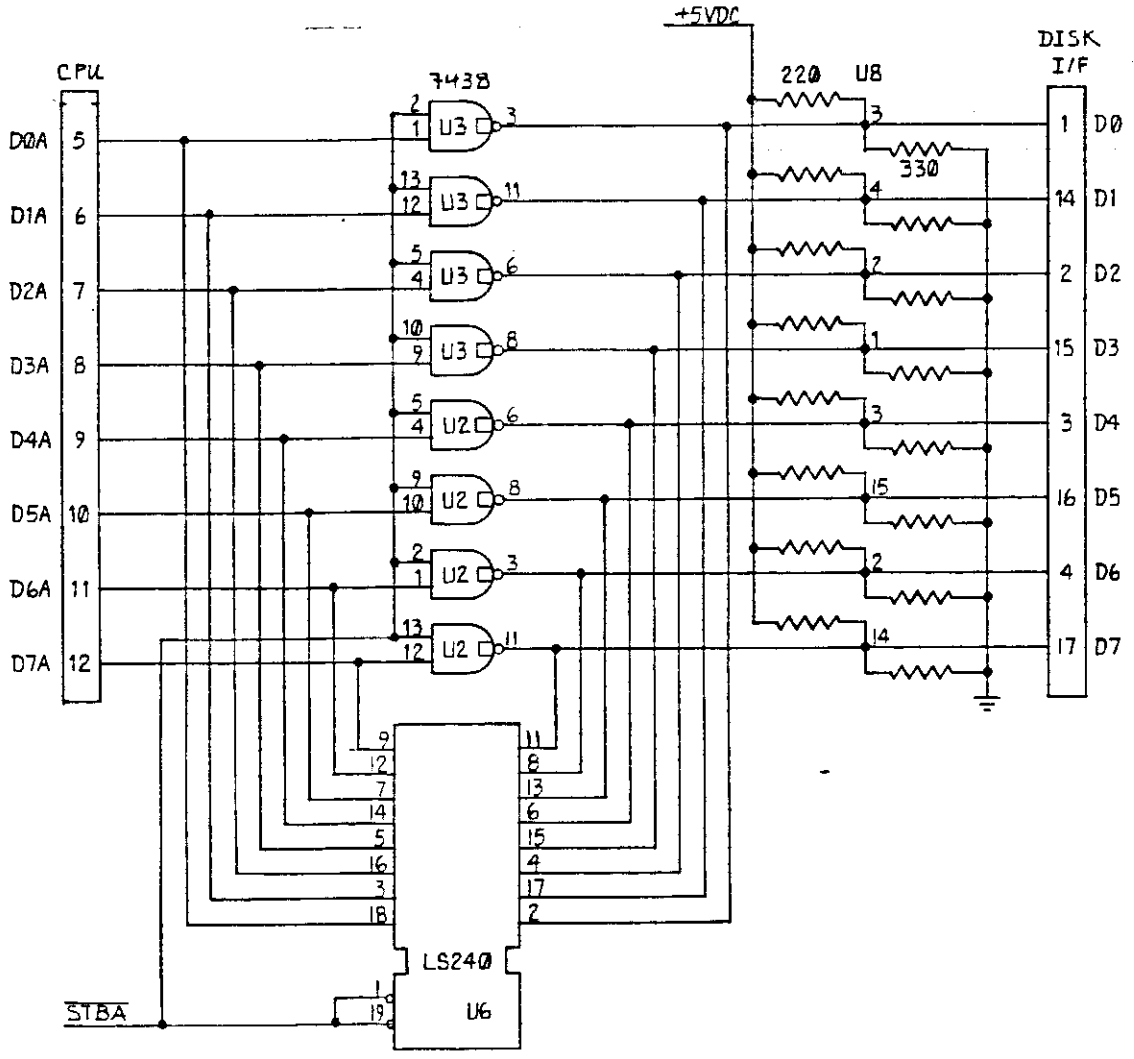


REV:	DESCRIPTION	APPR. BY	DATE
------	-------------	----------	------



DESIGNED BY: R. TOZAKI	INTERCONTINENTAL MICRO SYSTEMS	
CHECKED BY:	SCHEMATIC/LOGIC DIAGRAM S.C.S.I. INTERFACE	
REV:	SAS-200	SHEET 1 OF 2

