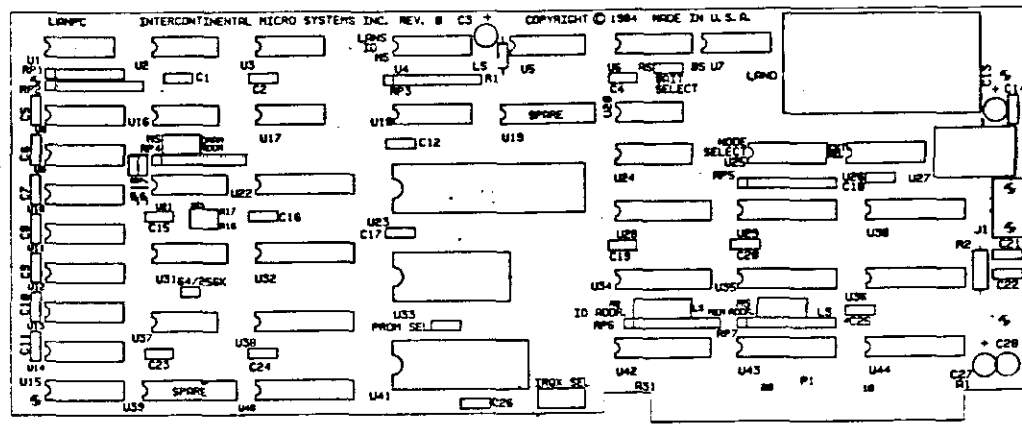


LANPC PARTS LIST

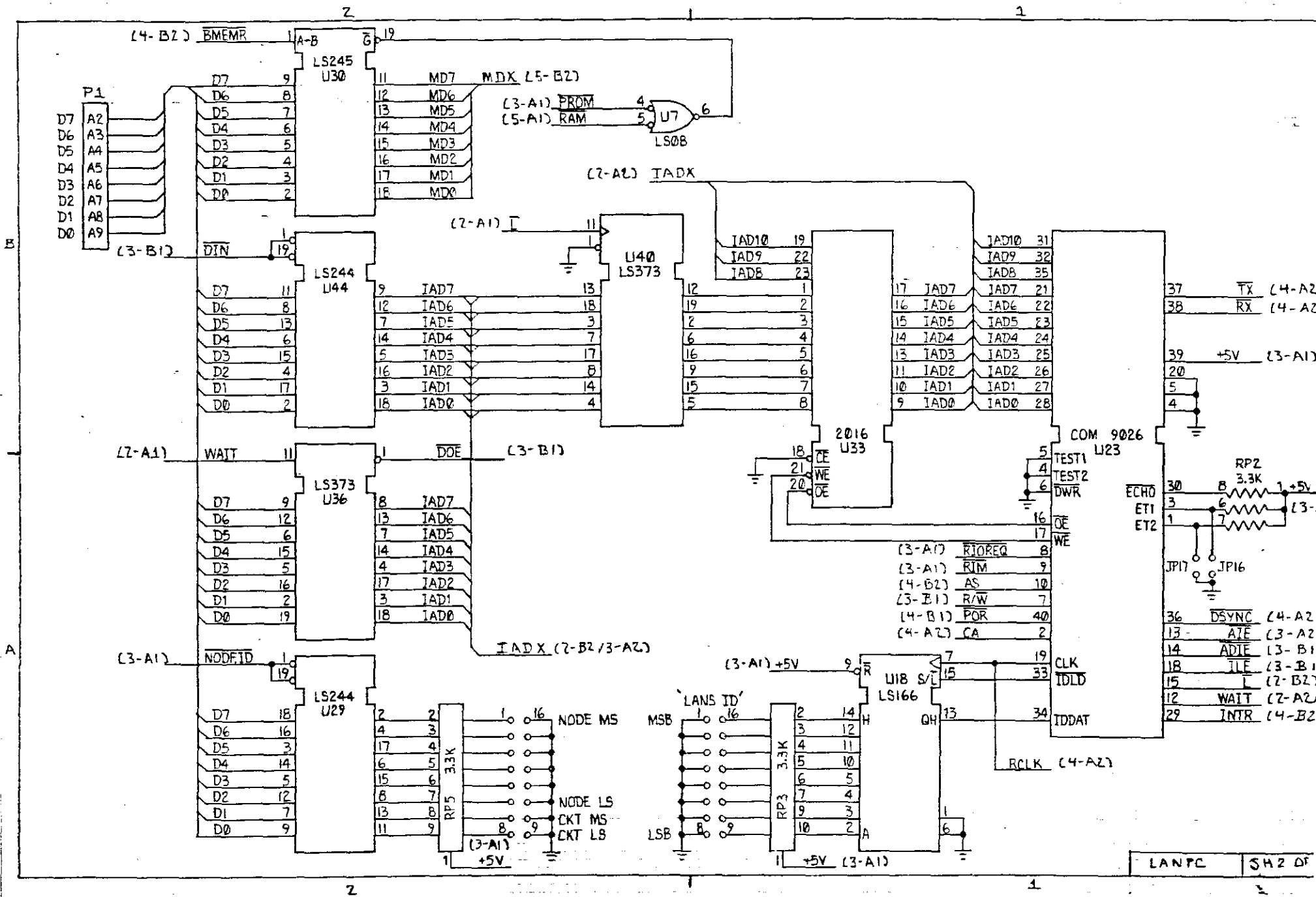
|                           |                       |                                   |    |
|---------------------------|-----------------------|-----------------------------------|----|
| 2716                      | 2K x 8 EPROM (300-16) | U41                               | 1  |
| 74126 (74LS126)           | QUAD BUFFER           | U37                               | 1  |
| 7438 (74LS38)             | QUAD NAND OC          | U20                               | 1  |
| 74LS00                    | QUAD NAND             | U17                               | 1  |
| 74LS08                    | QUAD AND              | U7                                | 1  |
| 74LS123                   | DUAL ONE-SHOT         | U5                                | 1  |
| 74LS139                   | 2-4 ENCODER           | U24                               | 1  |
| 74LS166                   | SHIFT REGISTER        | U18                               | 1  |
| 74LS175                   | QUAD REGISTER         | U6                                | 1  |
| 74LS240                   | OCTAL INVERTER        | U22                               | 1  |
| 74LS244                   | OCTAL BUFFER          | U28,29,34,35,44,                  | 5  |
| 74LS245                   | BIDIRECTIONAL BUFFER  | U30                               | 1  |
| 74LS32                    | QUAD OR               | U1                                | 1  |
| 74LS373                   | QUAD BUFFER           | U36,U40                           | 2  |
| 74LS85                    | 4-BIT COMPARATOR      | U21                               | 1  |
| 74S00 (74FOO)             | QUAD NAND             | U2                                | 1  |
| 74S241                    | QUAD BUFFER           | U32,38                            | 2  |
| 74S74                     | DUAL D F/F            | U3                                | 1  |
| AM25LS2521PC<br>(74LS688) | 8-BIT COMPARATOR      | U42,43                            | 2  |
| COM9026                   | LAN CONTROLLER        | U23                               | 1  |
| COM9032                   | LAN PERIPHERAL        | U26                               | 1  |
| M5K164S-15                | 64K x 1 DRAM          | U8-15                             | 8  |
| TMM2016AP-90              | 2K x 8 RAM            | U33                               | 1  |
| BRACKET                   |                       |                                   | 1  |
| #4 SCREW                  |                       |                                   | 2  |
| #4 NUT                    |                       |                                   | 2  |
| #4 WASHER                 |                       |                                   | 4  |
| 2-640357-3                | 14-PIN SOCKET         | U1-3,7,17,20,37                   | 7  |
| 2-640358-3                | 16-PIN SOCKET         | U5,6,8-15,18,21,24,26             | 14 |
| 2-640464-3                | 20-PIN SOCKET         | U22,28-30,32,34-36,38<br>40,42-44 | 13 |
| 2-640361-3                | 24-PIN SOCKET         | U33                               | 1  |
| 2-640362-3                | 28-PIN SOCKET         | U41                               | 1  |
| 2-640379-3                | 40-PIN SOCKET         | U23                               | 1  |
| 929834-01-2               | 1X2 JUMPER ARRAY      | 64/256K                           | 1  |
| 929834-01-3               | 1X3 JUMPER ARRAY      | WAIT, PROM SEL                    | 2  |
| 929836-01-22X2            | 2X2 JUMPER ARRAY      | JP16,JP17                         | 1  |
| 2X3                       | 2X3 JUMPER ARRAY      | A17,A16                           | 1  |
| 929836-01-4               | 2X4 JUMPER ARRAY      | DRAM ADDR                         | 1  |
| 929836-01-5               | 2X5 JUMPER ARRAY      | MEM ADDR, INTR                    | 2  |
| 929836-01-6               | 2X6 JUMPER ARRAY      | IO ADDR                           | 1  |
| BLANK LAN-PC              |                       |                                   | 1  |
| CAP 0.005UF CER           | .005 MICROFARAD       | C21                               | 1  |
| CAP25SC10 TANT            | 10 MICROFARAD         | C27,28                            | 2  |
| CAP 4.7UF 35V             | 4.7 MICROFARAD        | C3,13                             | 2  |
| CAP 5020ES50RD104M        | .1 MICROFARAD         | C1,2,4-12,14-20,22-26             | 23 |
| CNCTR 226990-1            | BNC CONNECTOR         | J1                                | 1  |
| CRYSTAL 20.0M OCC         | 20 MHZ OSCILLATOR     | U27                               | 1  |
| EGA059102A                | LAN INTERFACE         | LAND                              | 1  |
| RES 12K OHM 1/2W          | 12K RESISTOR          | R2                                | 1  |
| RES 120K OHM              | 120K RESISTOR         | R1                                | 1  |
| RES33OSIP                 | 33 OHMSIP             | RP1                               | 1  |
| RES 332 SIP               | 3.3K OHM SIP          | RP2-RP7                           | 6  |
| RES 330 DIP               | 33 OHM DIP            | U31                               | 1  |
| SWITCH 76PSE08            | 8-POSITION SWITCH     | U4,25                             | 2  |
| TTLDM-150                 | DELAY LINE            | U16                               | 1  |
| 2-56X1/4 SCREW            | SCREW                 |                                   | 2  |

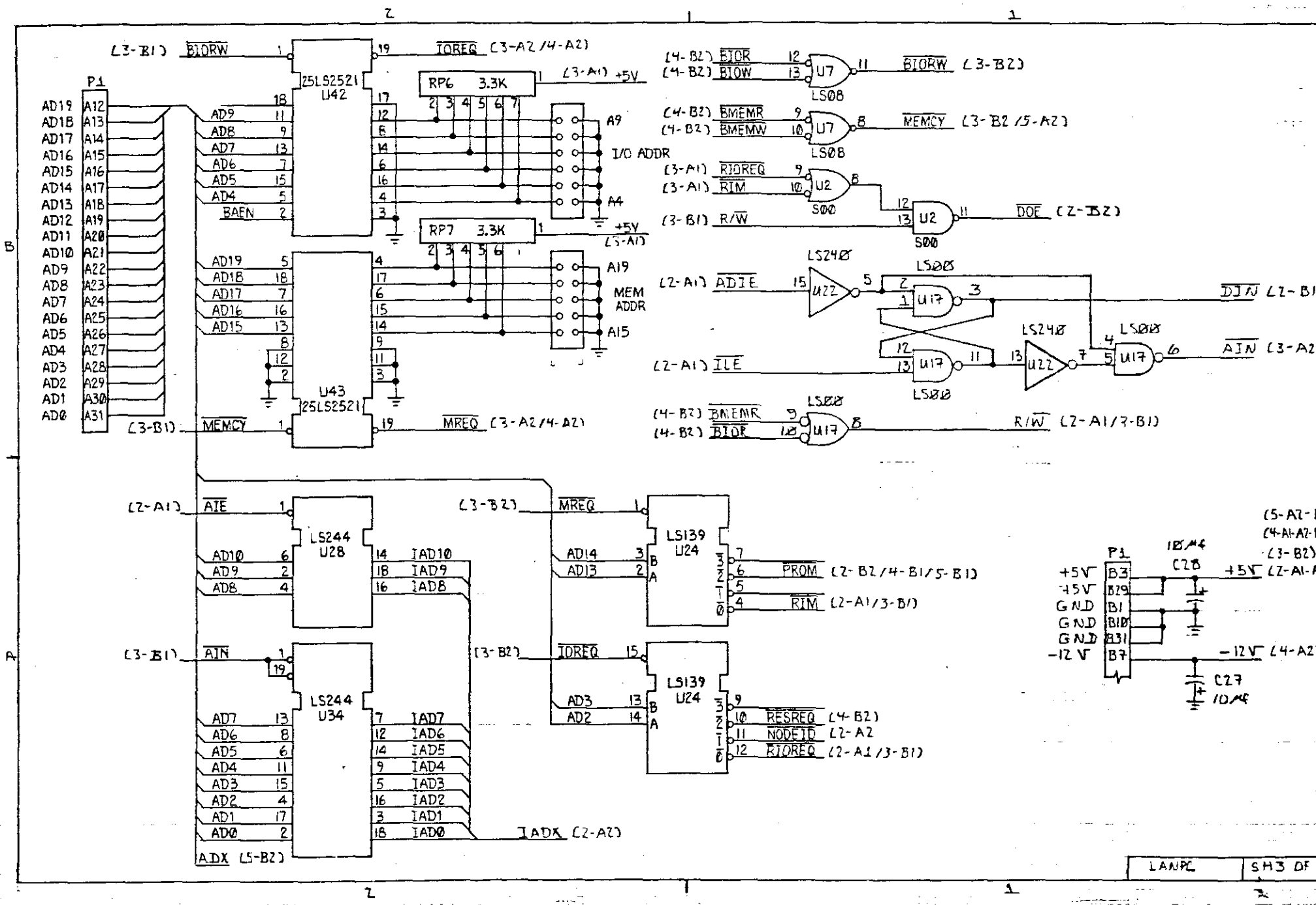
| REV | DESCRIPTION            | APPR. BY | DATE |
|-----|------------------------|----------|------|
| A   | SCHEMATIC UPDATE       |          |      |
| B   | SCHEMATIC/HRDWR UPDATE |          |      |

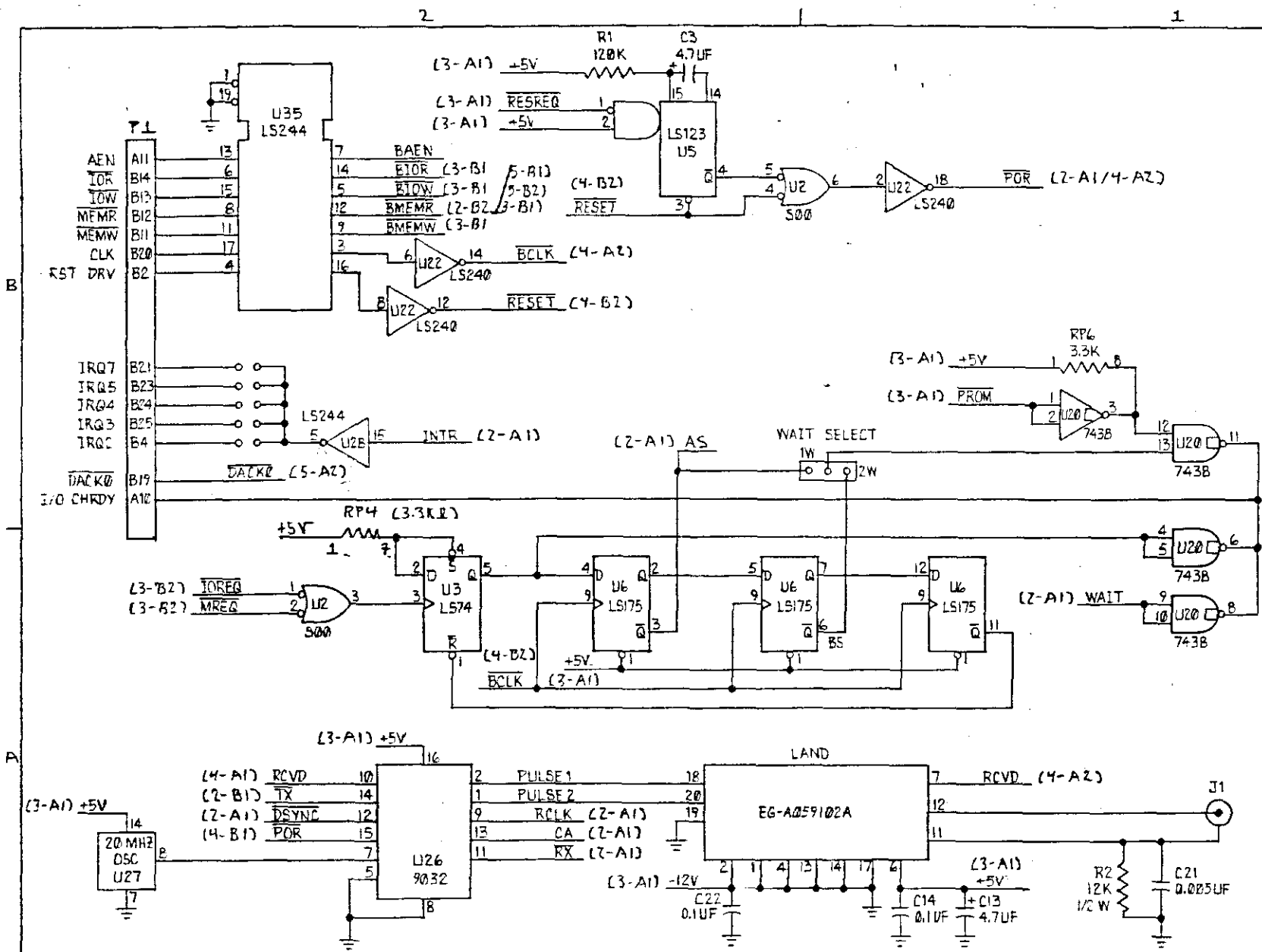


MCO  
 INTERCONTINENTAL MICRO SYSTEMS INC.  
 LANPC BO.

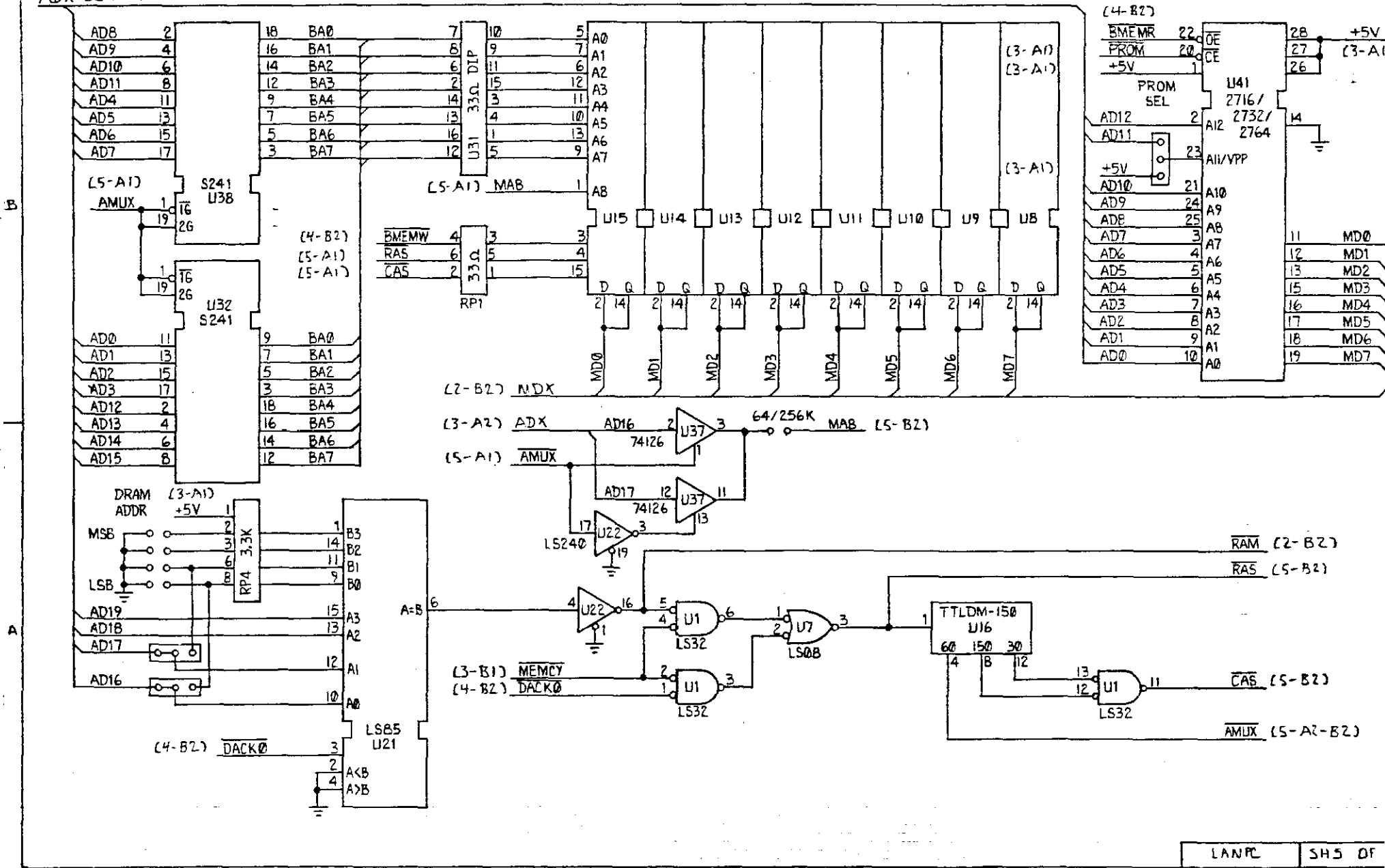
|              |                                                 |              |
|--------------|-------------------------------------------------|--------------|
| DESIGNED BY: | INTERCONTINENTAL MICRO SYSTEMS                  |              |
| CHECKED BY:  | SCHEMATIC/LOGIC DIAGRAM<br>PC ARCNET CONTROLLER |              |
| REV: B       | LANPC                                           | SHEET 1 OF 5 |



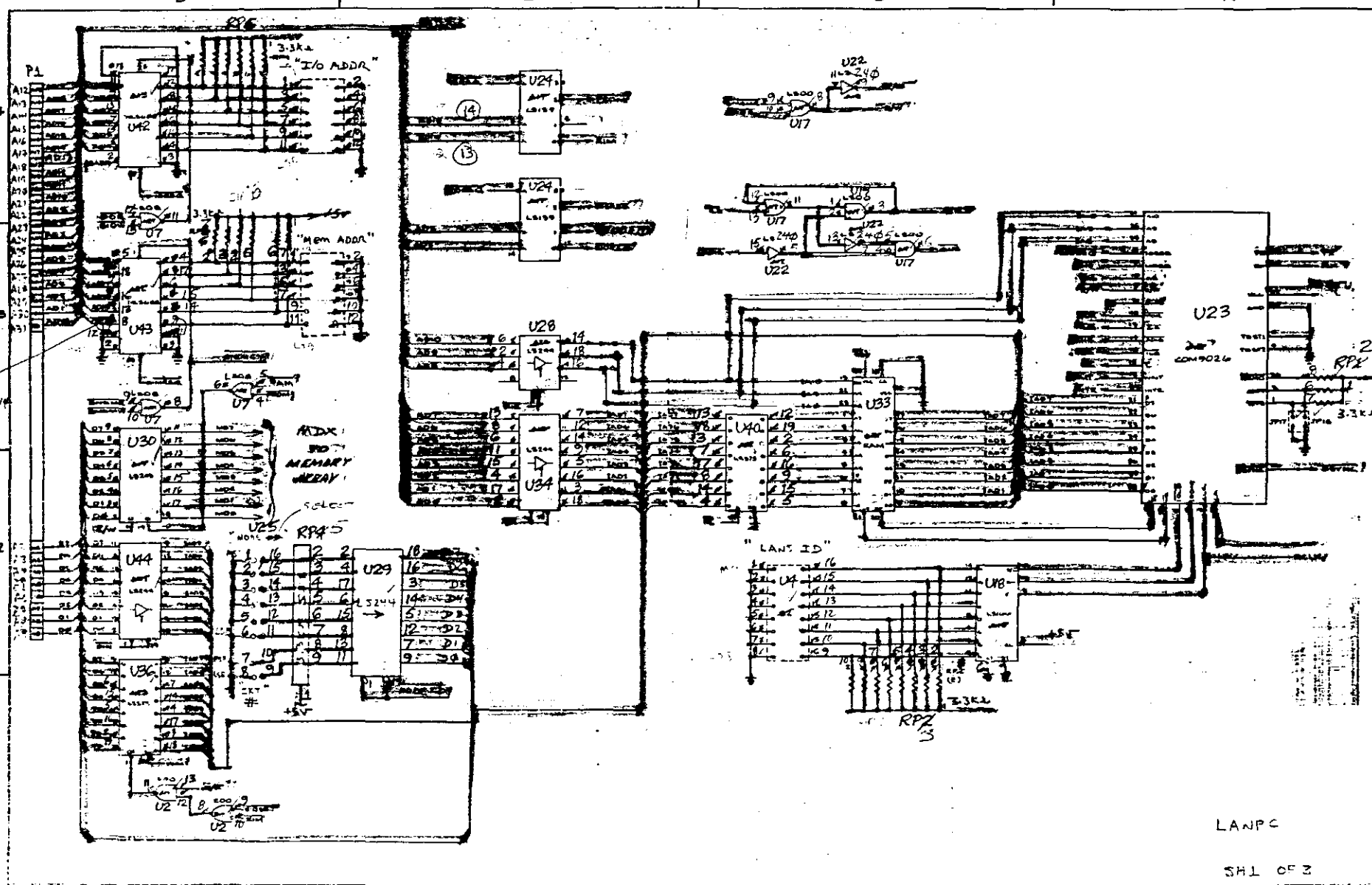




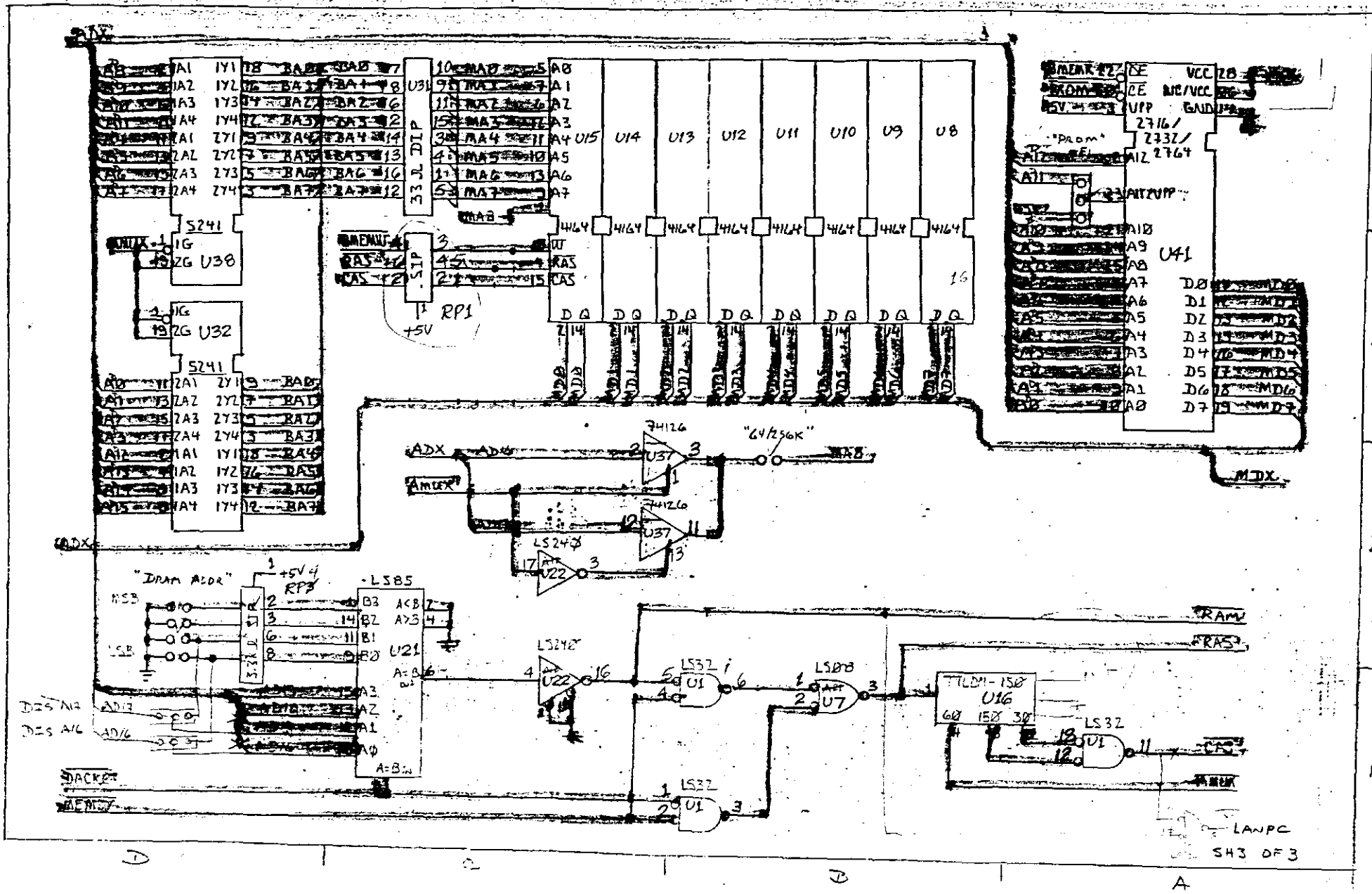
ADX (3-A2)



7/30/64  
 #1. CHANGE AD14 ON DECODE TO GROUND  
 #2. U-34 CHANGES TO AD14, AD13 AS INDICATED. 2







LANPC  
SH3 OF3  
A