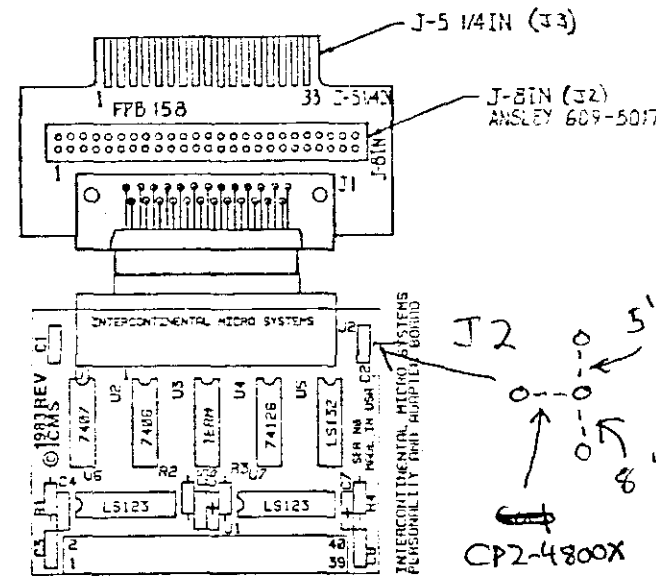


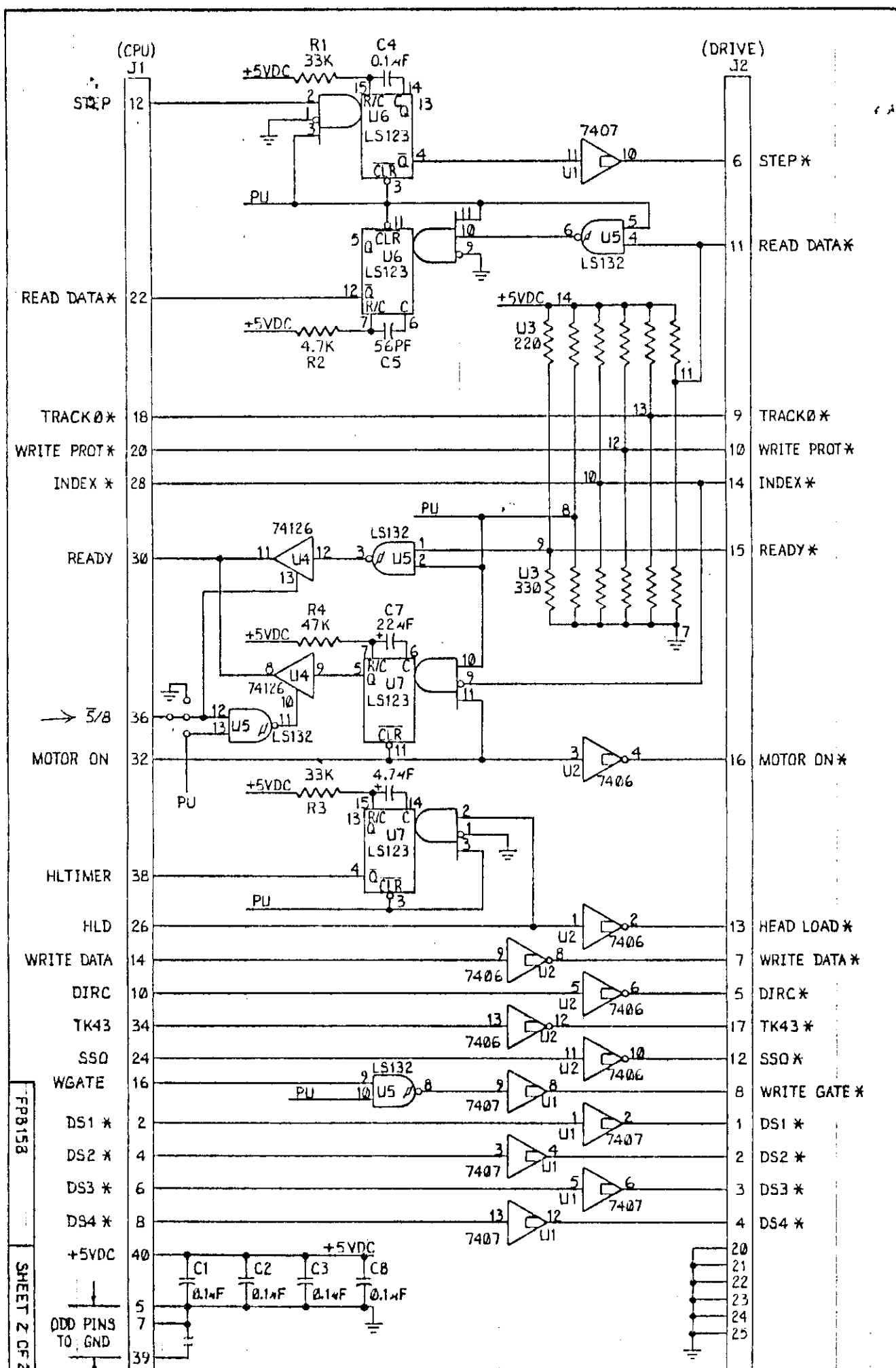
FUNCTION	J2	J-3EN <sup>1</sup>	J-5EN <sup>1</sup>
DS1*	1	26	10
DS2*	2	28	12
DS3*	3	30	14
DS4*	4	32	6
DIRC*	5	34	18
STRT*	6	36	20
*WRITE DATA*	7	38	22
WRITE GATE*	8	40	24
TRACK 0*	9	42	26
WRITE PROT*	10	44	28
READ DATA*	11	46	30
SS0*	12	48	32
HEAD LOAD*	13	18	--
INDEX*	14	20	8
READY*	15	22	--
MOTOR ON*	16	24	16
TK 43*	17	2	--
CE	18	--	--
CE	19	--	--
GND	20	--	--
GND	21	--	--
GND	22	--	--
GND	23	--	--
GND	24	--	--
GND	25	--	--

NOTE 1: On J-3EN & J-5EN, all odd pins are grounded; all even pins not listed are open.



SCHEMATIC/LOGIC DIAGRAM  
8-5/8 INCH  
FLOPPY DISK CONTROLLER  
PERSONALITY BOARD

PART NO. FPB158-XY  
OCT. 25, 1983 SHEET 1



FP8153

SHEET 2 OF 2

ODD PINS TO GND

J2