

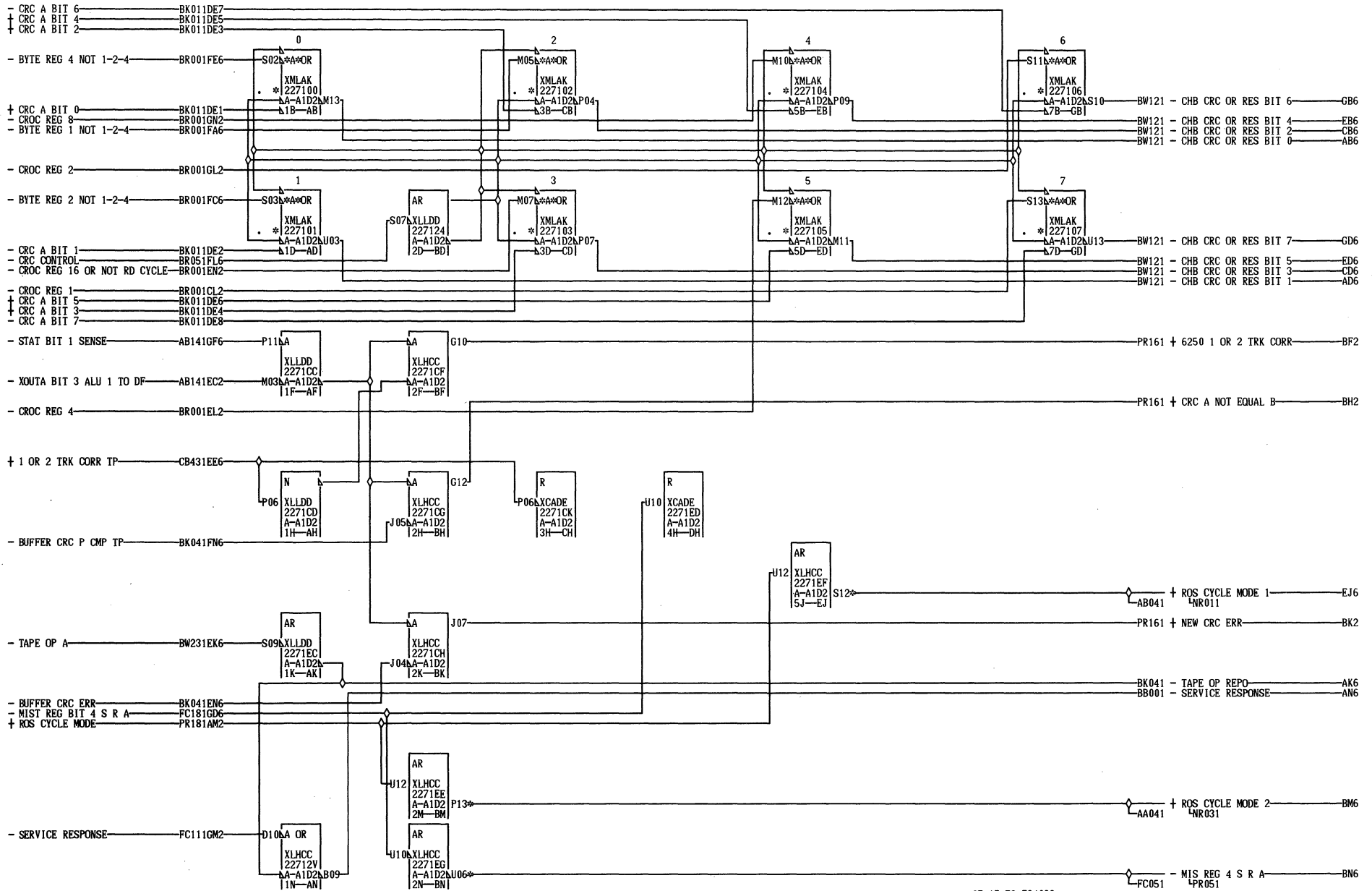
B  
B  
0  
0  
1  
000

AA4 A-A1L6E02 01A-A2N1A11  
 01A-A2L1E11 FF4 A-A1D6E04  
 BB4 A-A1M6B02 01A-A2D1E13  
 01A-A2M1B11  
 CC4 A-A1M6C02  
 01A-A2M1C11  
 DD4 A-A1M6D02  
 01A-A2M1D11  
 EE4 A-A1N6A02

07-17-73 734098

BUS IN DOT ORING		
DATE	08-18-81	MACH. 3803-2
LOG	0051	FRAME 01
		P.N. 2736201
IBM CORP.	BLK.	GH

B  
B  
0  
0  
1  
000



07-17-73 734098

BM6 A-A1A3D03  
 01A-A2C2D03  
 BN6 A-A1Q1D11  
 01A-B2E1D11  
 EJ6 A-A1R1D11  
 01A-B2F1D11

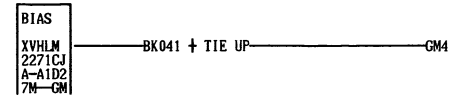
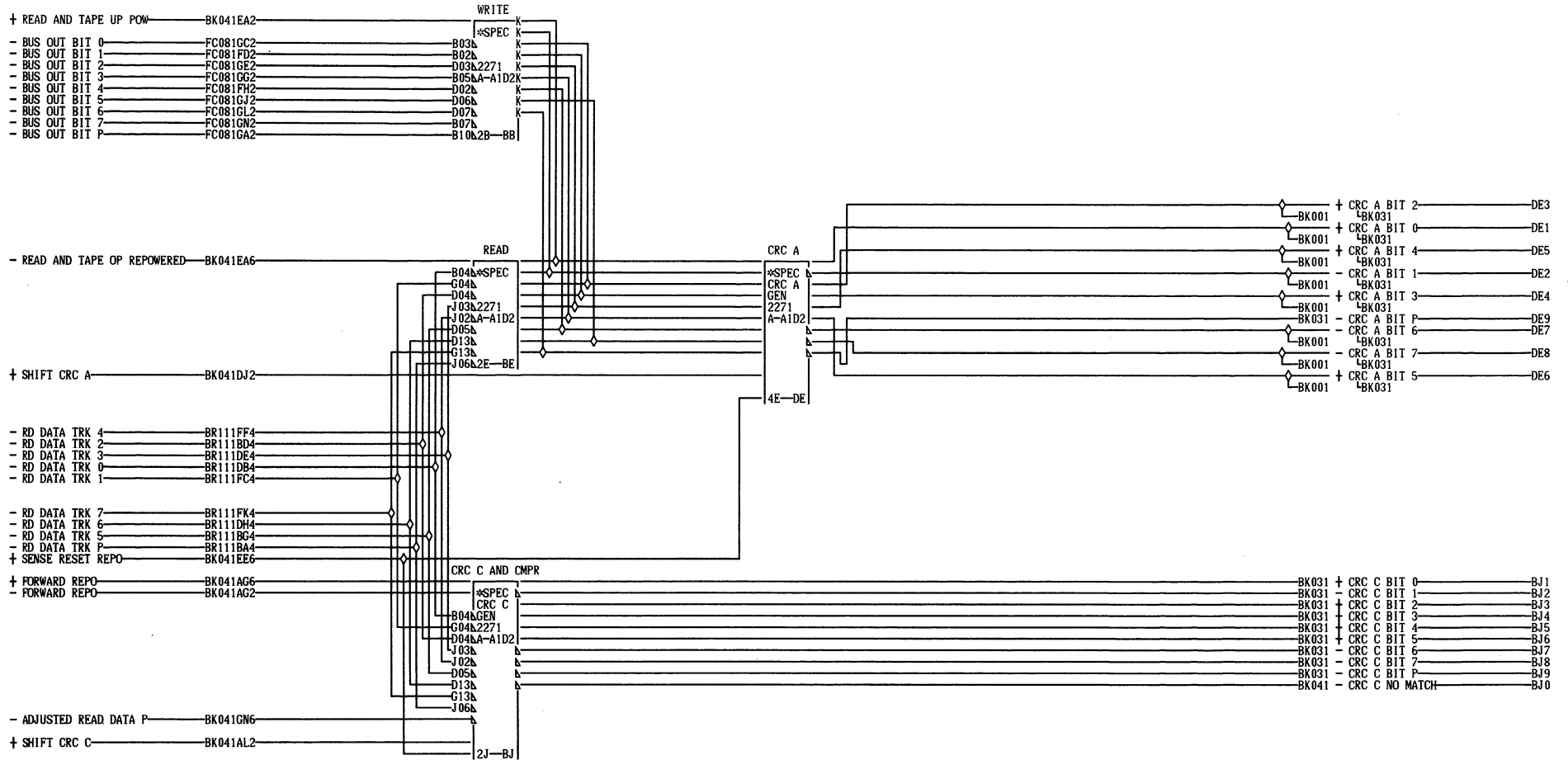
B  
 K  
 0  
 0  
 1

000

WRITE CRC OR RESIDUAL LOGIC		
DATE	08-18-81	MACH. 3803-2
LOG	0051	FRAME 01
P.N. 2736202		
IBM CORP.	CO	BLK. GE

B  
 K  
 0  
 0  
 1

000

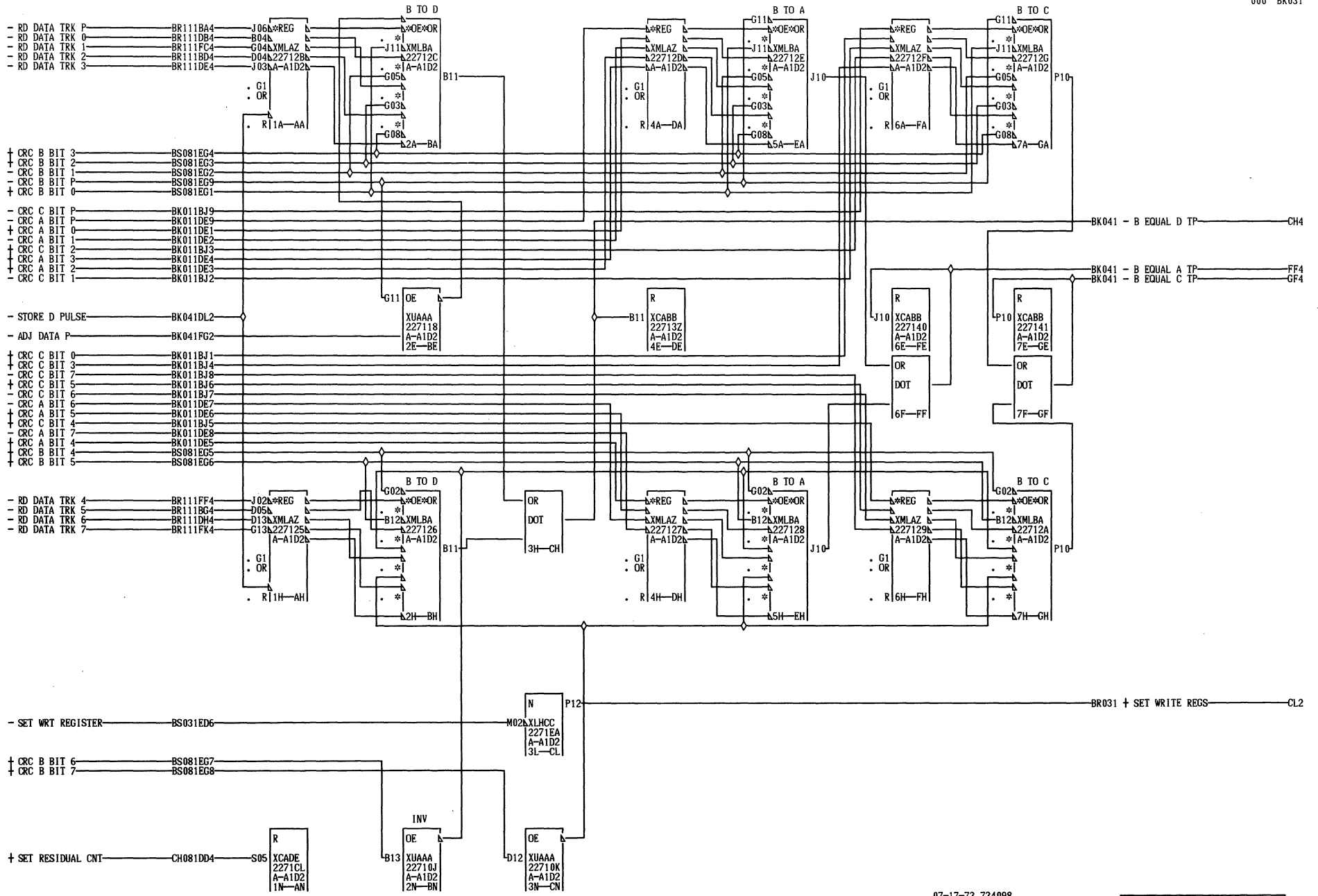


07-17-73 734098

B  
K  
0  
1  
1  
000

CRC A AND CRC C GENERATORS			
DATE	08-18-81	MACH.	3803-2
LOG	0051	FRAME	01
		P.N.	2736203
IBM CORP.	BLK.		GN

B  
K  
0  
1  
1  
000

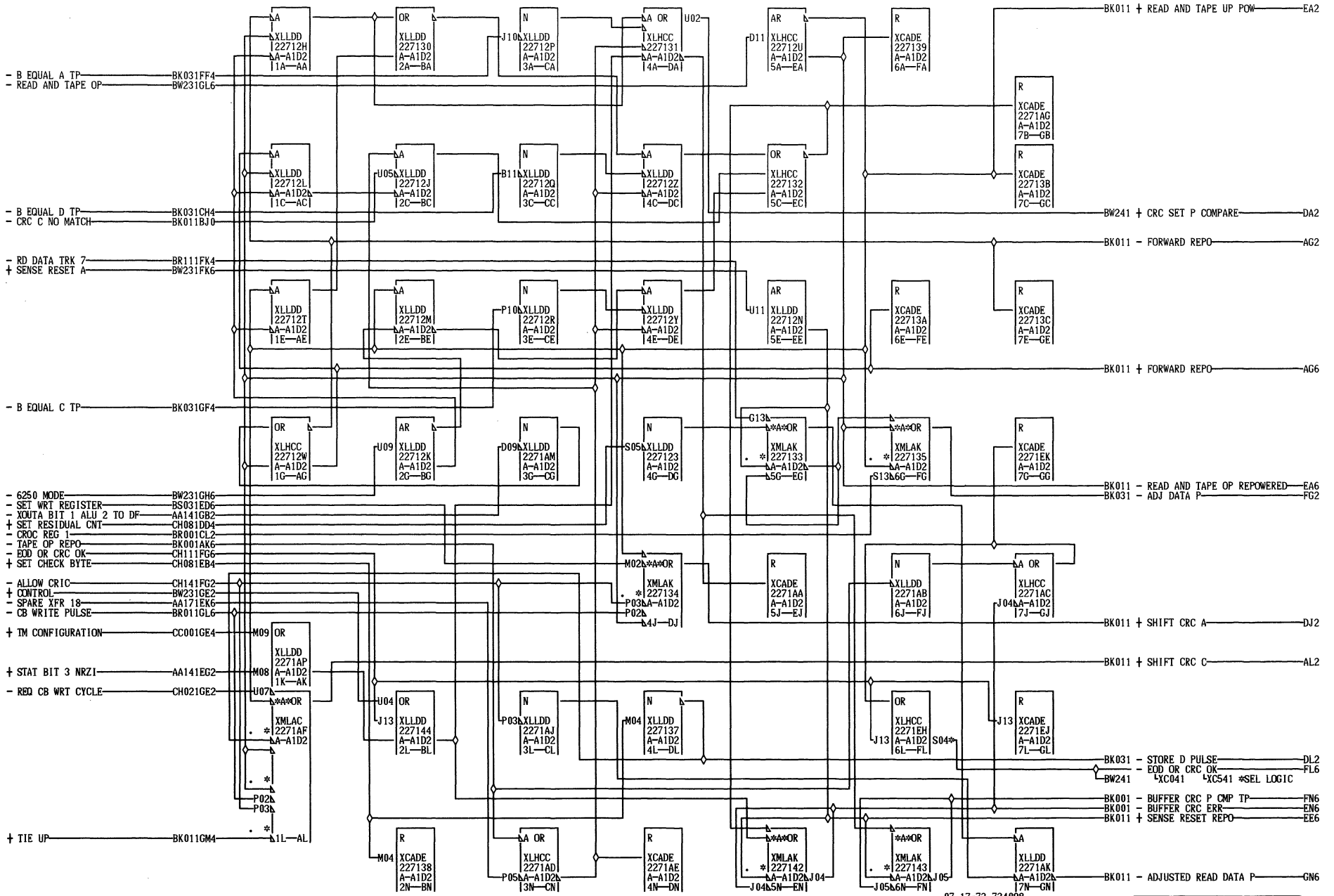


07-17-73 734098

CHANNEL BUFFER CRC COMPARE			
DATE	08-18-81	MACH.	3803-2
LOG	0051	FRAME	01
		P.N.	2736204
IBM CORP.	CO	BLK.	GJ

B  
K  
0  
3  
1  
  
000

B  
K  
0  
3  
1  
  
000

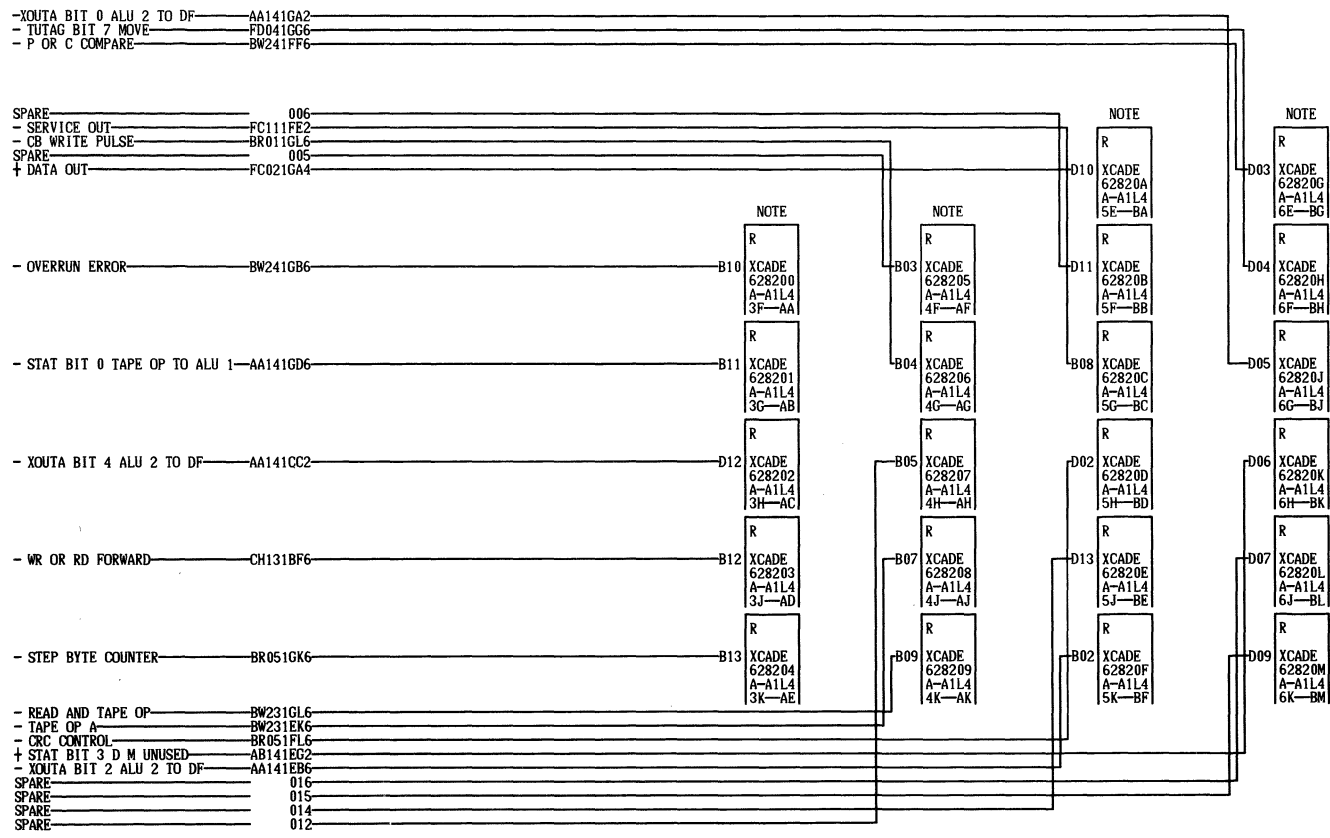


FL6 A-A1A3D06  
01A-A2C2D06

07-17-73 734098  
09-17-73 734107

CRC DATA AND EQUIP CHECK			
DATE	08-18-81	MACH.	3803-2
LOG	0041	FRAME	01 4 1
		P.N.	2736205
IBM CORP.	CO	BLK.	GP

B  
K  
0  
4  
1  
000

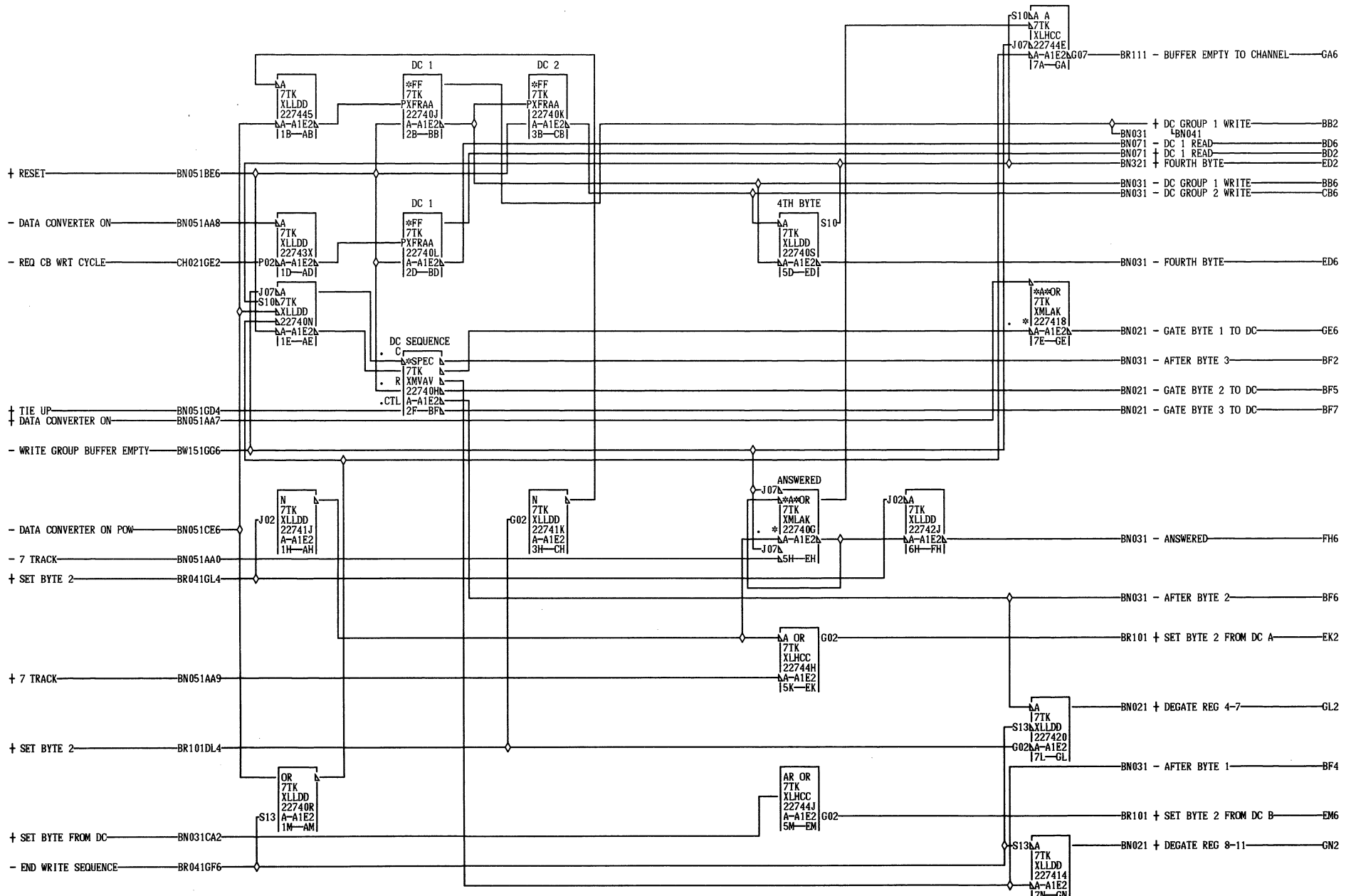


NOTE CARD IS NOT PLUGGED  
WITH 7-9 TRACK NRZI  
B FEATURE  
L  
0  
0  
1  
000

07-17-73 734098

TLD TERMINATOR CARD			
DATE	08-18-81	MACH.	3803-2
LOG	0051	FRAME	01
		P.N.	2736206
IBM CORP.	SDD	BLK.	BN

B  
L  
0  
0  
1  
000

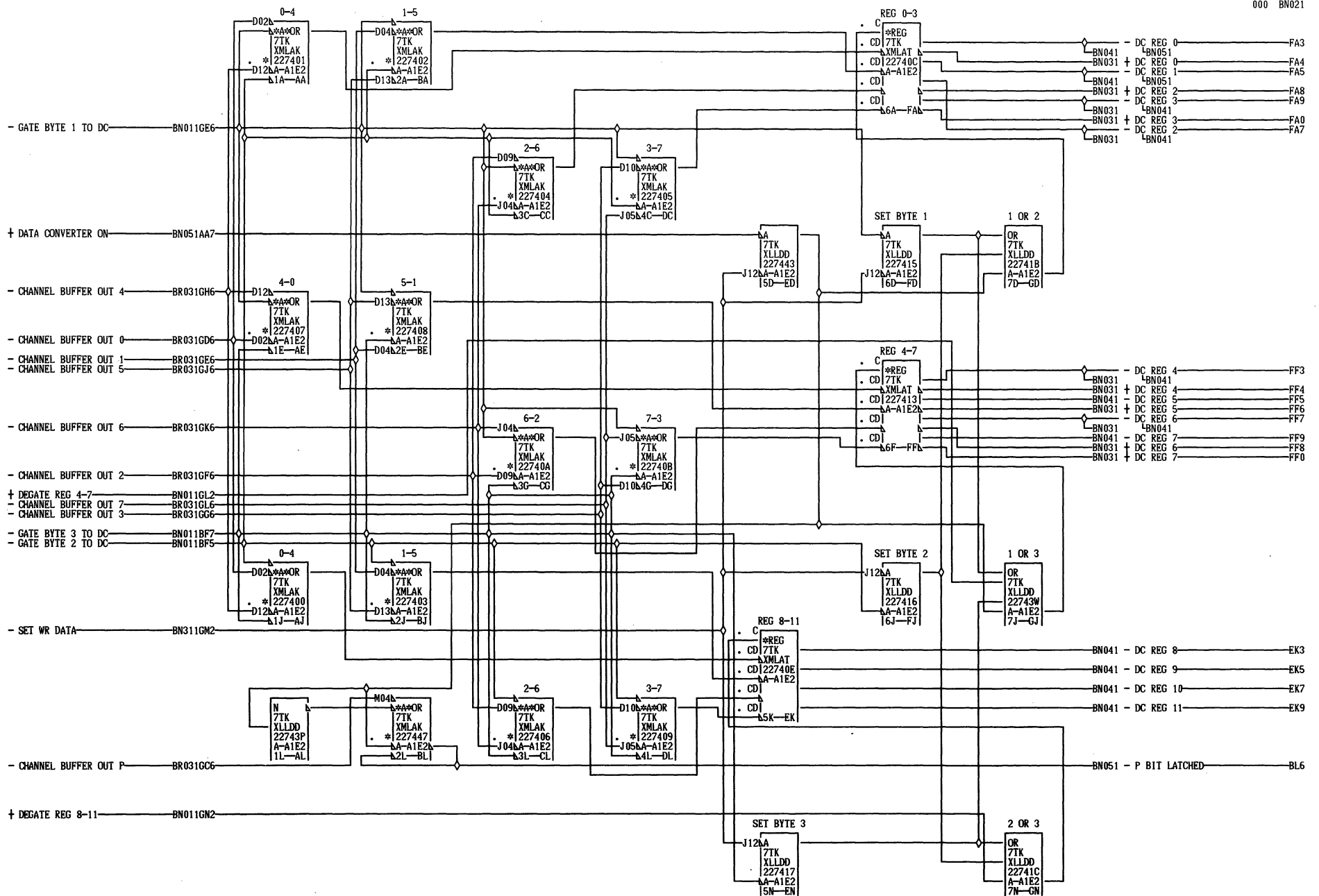


07-17-73 734098  
12-06-73 734879

WRITE DC CONTROLS			
DATE	08-18-81	MACH.	3803-2
LOG	0045	FRAME	01
		P.N.	2736207
IBM CORP.	CO	BLK.	GP

B  
N  
0  
1  
1  
000

B  
N  
0  
1  
1  
000



07-17-73 734098

DC REGISTER			
DATE	08-18-81	MACH.	3803-2
LOG	0051	FRAME	01
		P.N.	2736208
IBM CORP.	CD	BLK.	GP

B  
N  
0  
2  
1

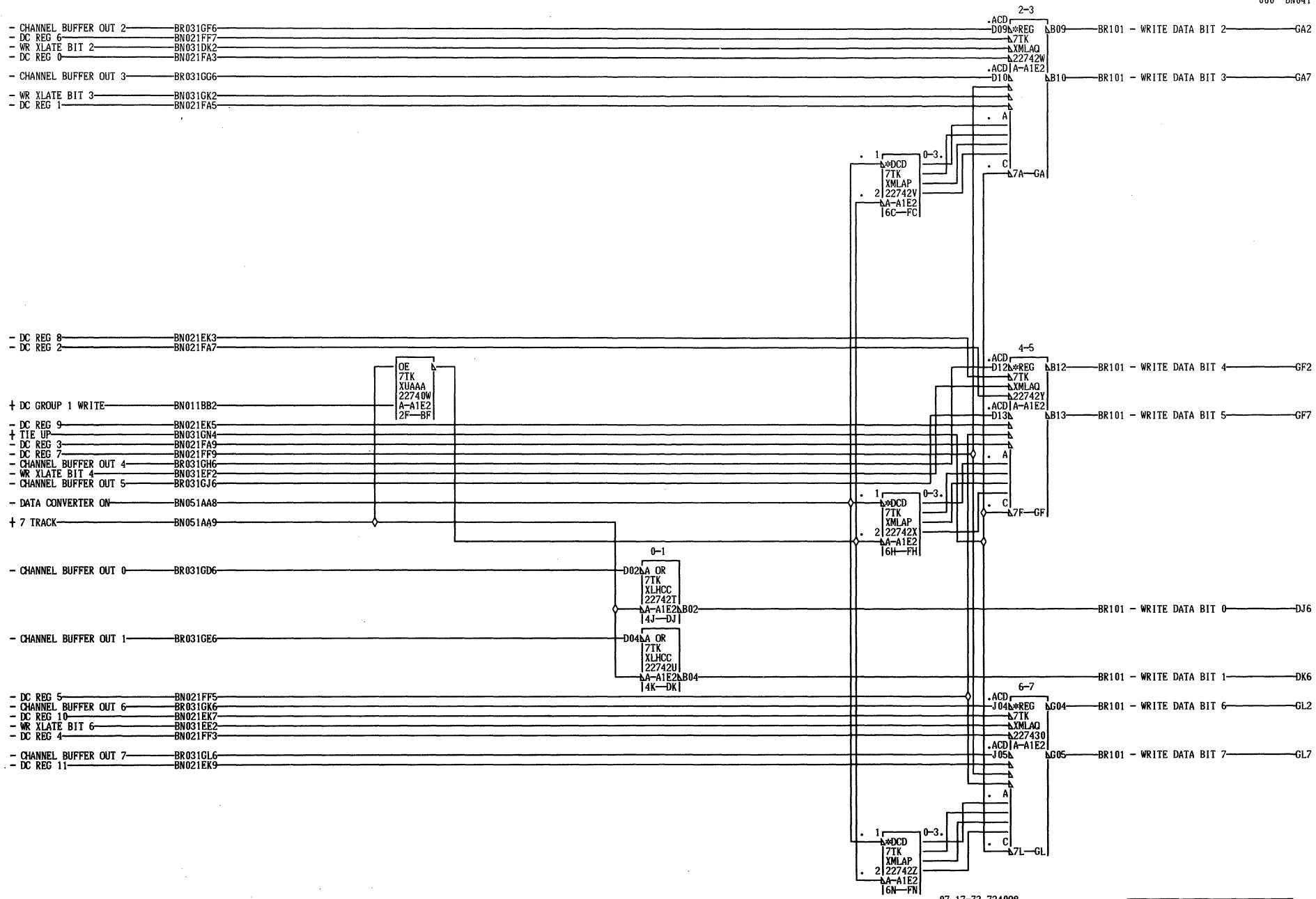
000

B  
N  
0  
2  
1

000





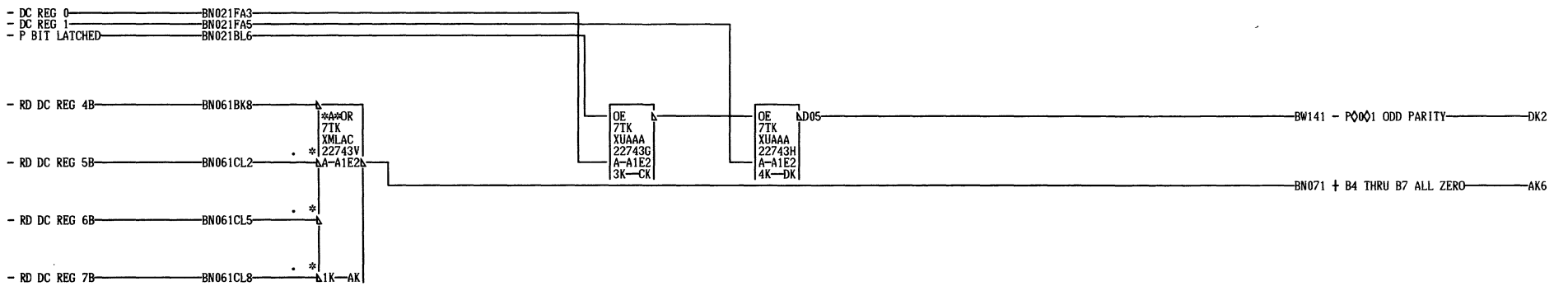
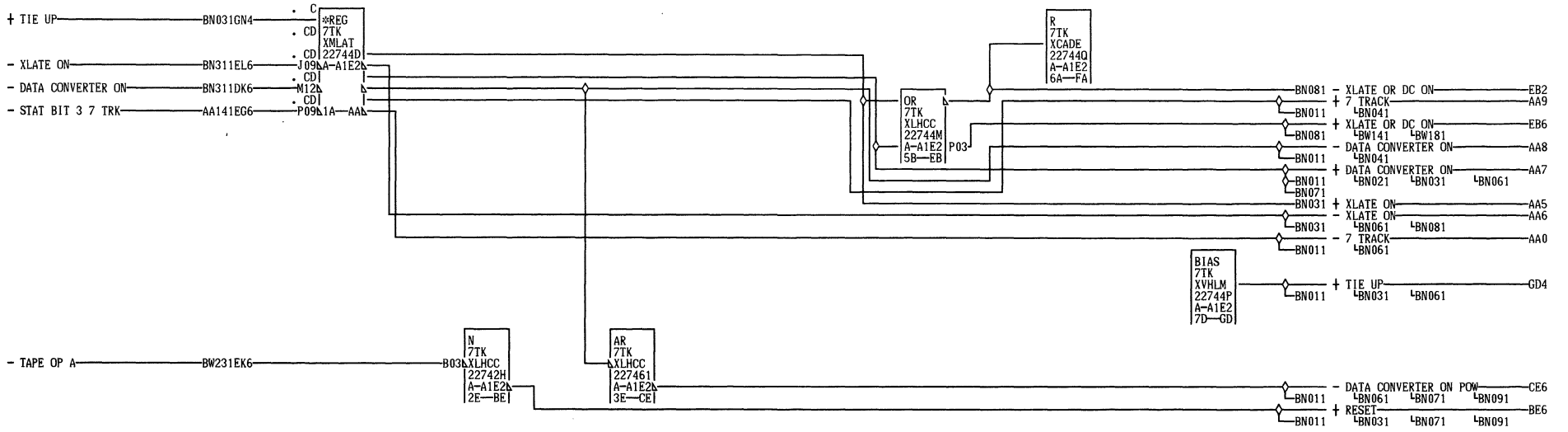


07-17-73 734098

B  
N  
0  
4  
1  
000

WRITE DC OUTPUT GATING			
DATE	08-18-81	MACH.	3803-2
LOG	0051	FRAME	01
		P.N.	2736210
IBM CORP.	BLK.		GM

B  
N  
0  
4  
1  
000

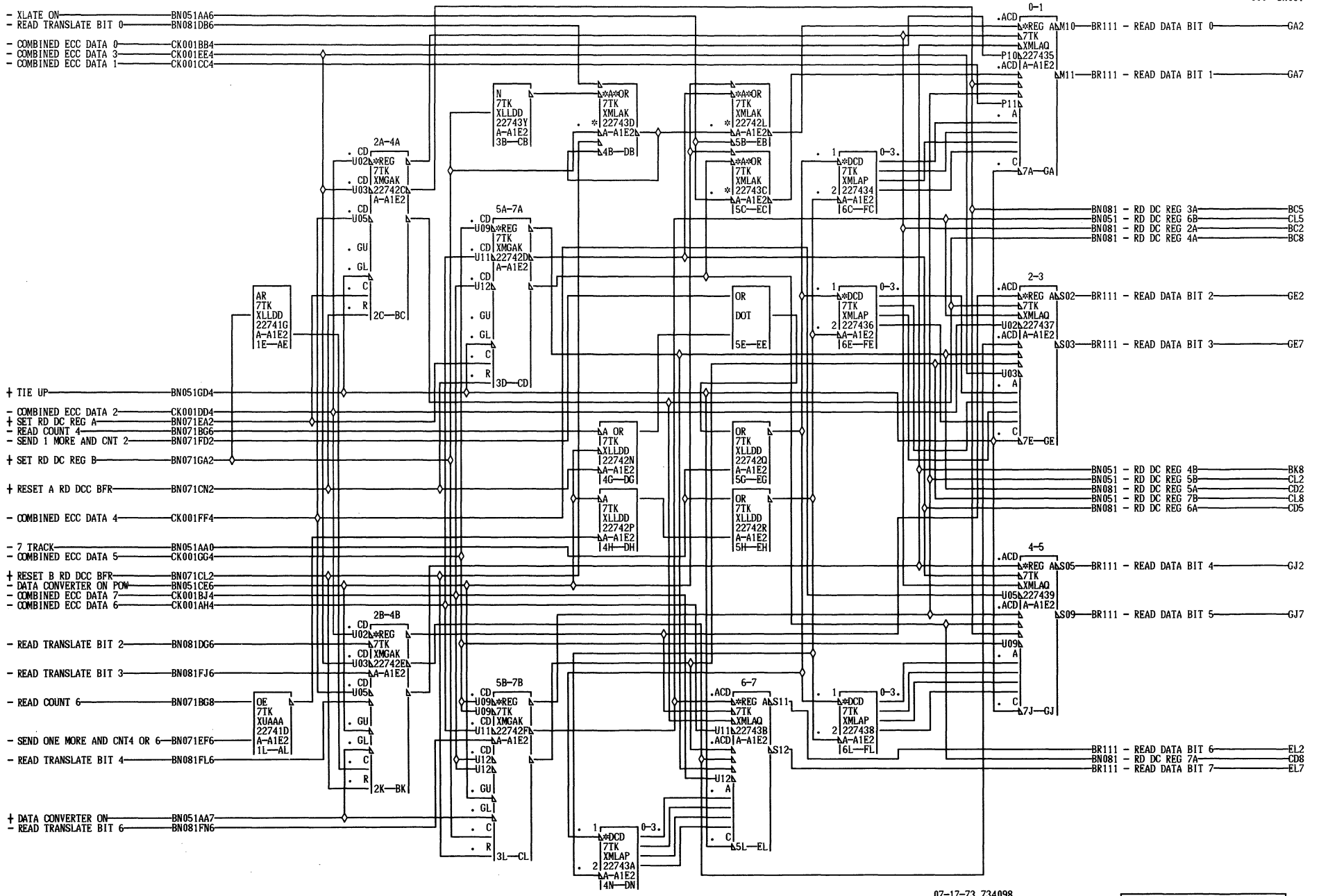


07-17-73 734098

BN051  
000

DC AND XLATE CONTROLS		
7 TRACK MODE REG		
DATE	08-18-81	MACH. 3803-2
LOG	0051	FRAME 01
P.N. 2736211		
IBM CORP.	CO BLK.	GP

BN051  
000

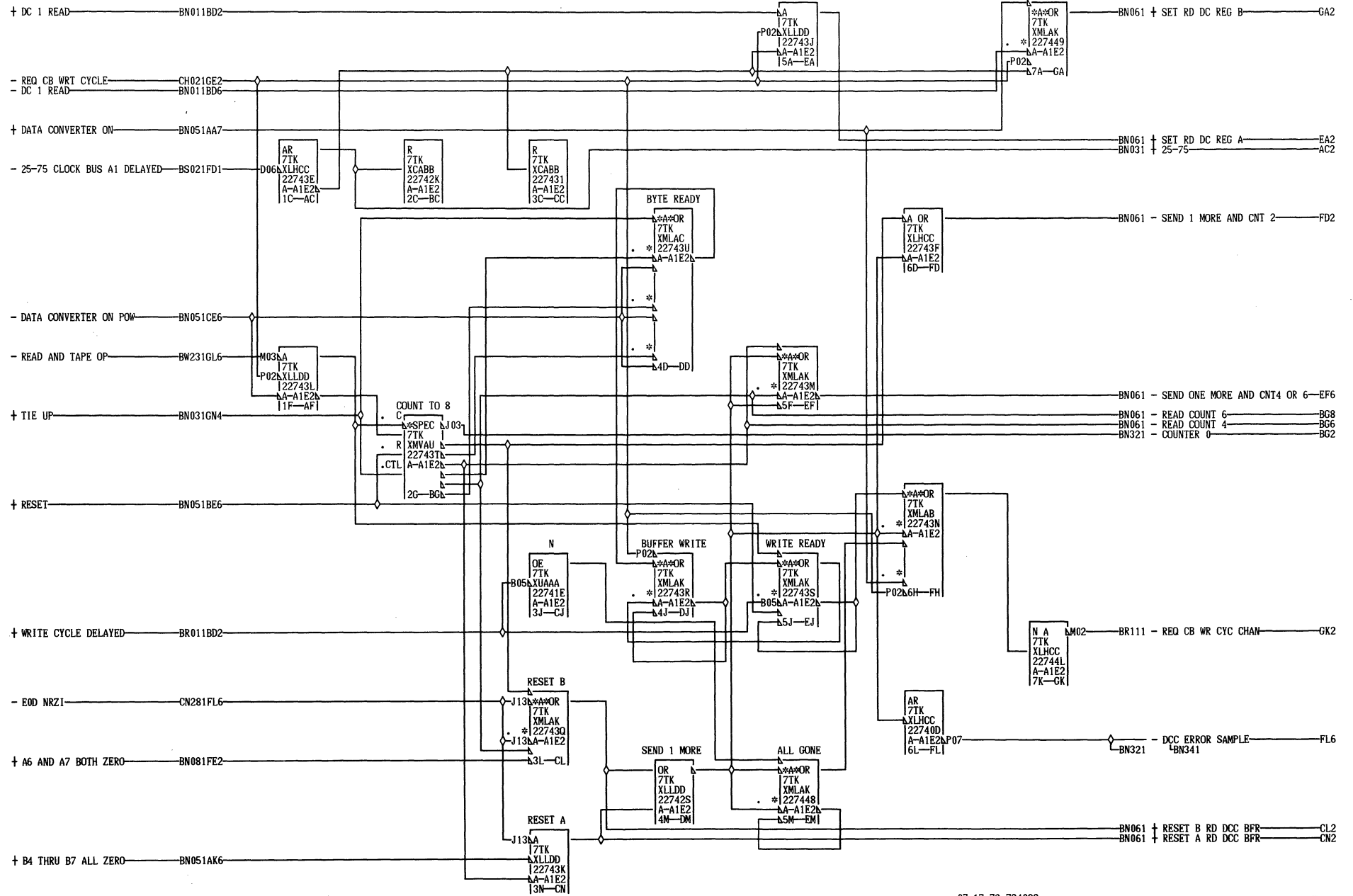


07-17-73 734098

B  
N  
0  
6  
1  
  
000

DATA CONVERT REGISTERS			
DATE	08-18-81	MACH.	3803-2
LOG	0051	FRAME	01
		P.N.	2736212
IBM CORP.	BLK.		GP

B  
N  
0  
6  
1  
  
000

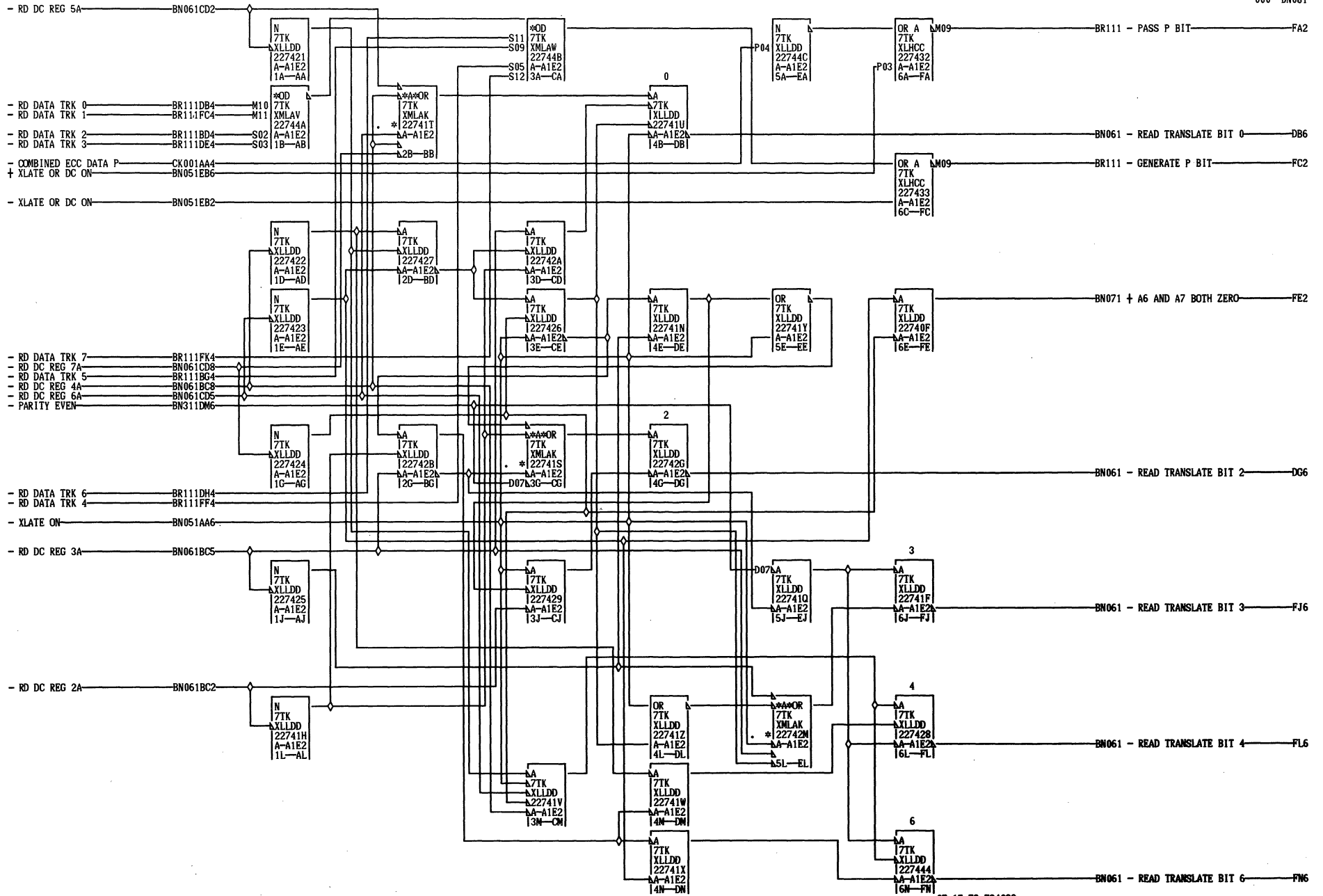


07-17-73 734098  
12-06-73 734879

READ DC AND XLATE CONTROLS			
DATE	08-18-81	MACH.	3803-2
LOG	0045	FRAME	01
		P.N.	2736213
IBM CORP.	CO	BLK.	GN

B  
N  
0  
7  
1  
  
000

B  
N  
0  
7  
1  
  
000

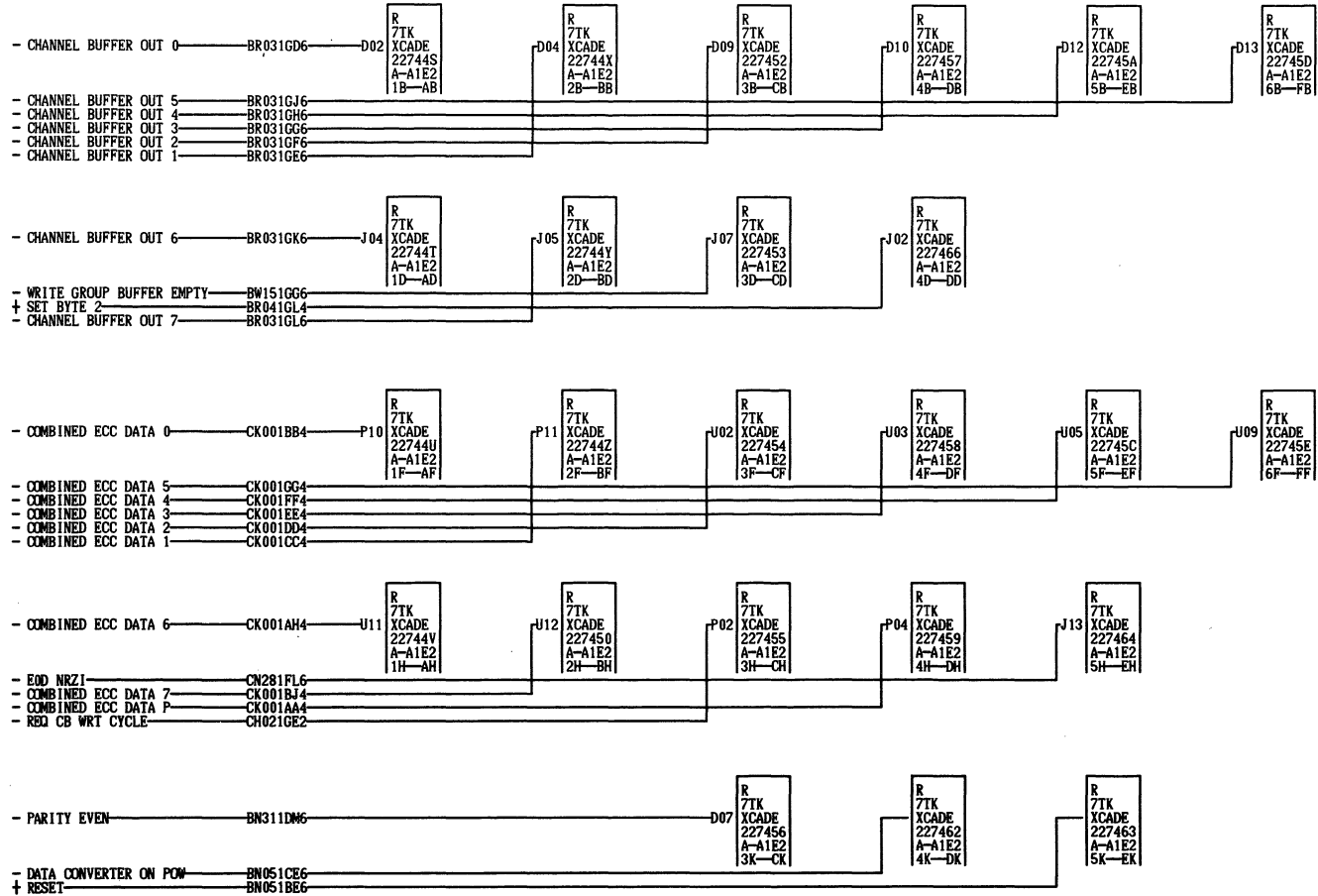


07-17-73 734098

BN081  
000

READ TRANSLATOR			
DATE	08-18-81	MACH.	3803-2
LOG	0051	FRAME	01
		P.N.	2736214
IBM CORP.	BLK.		FP

BN081  
000



07-17-73 734098

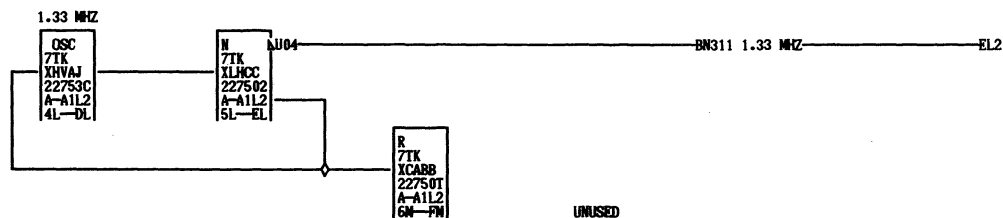
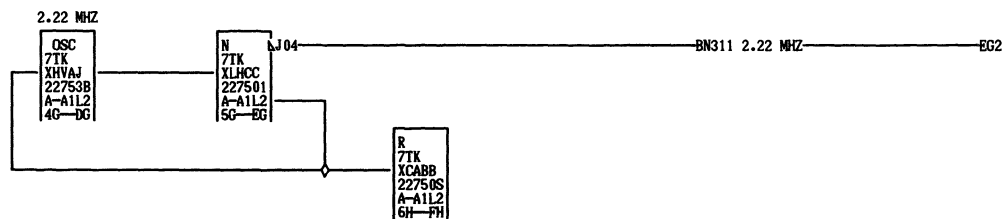
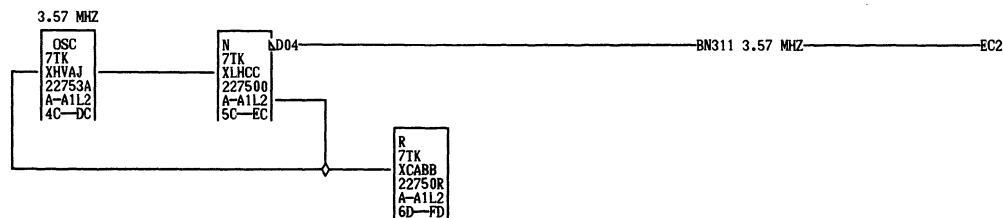
B  
N  
0  
9  
1

000

TERMINATORS			
DATE	08-18-81	MACH.	3803-2
LOG	0051	FRAME	01
		P.N.	2736215
IBM CORP.	CO	BLK.	FJ

B  
N  
0  
9  
1

000



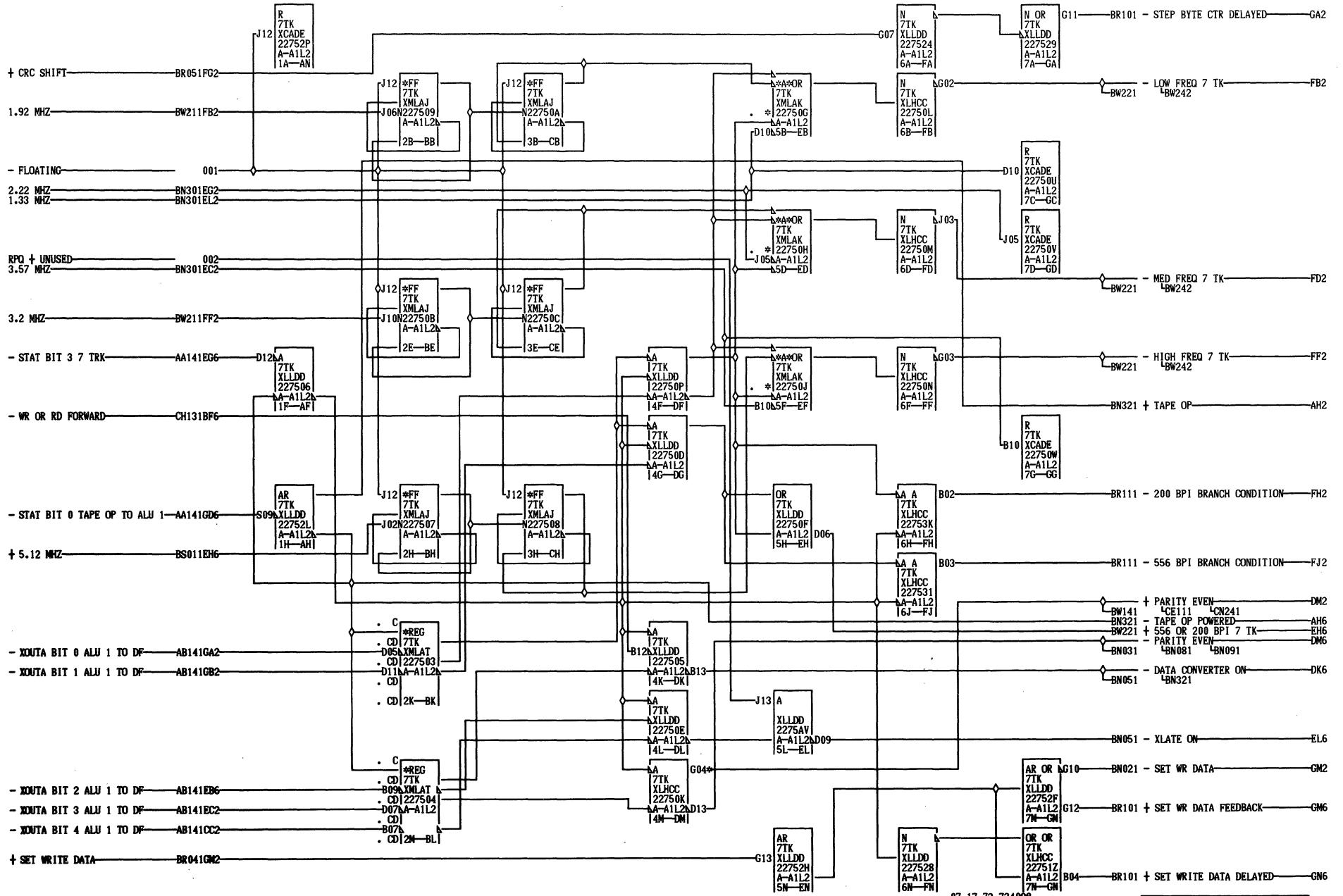
07-17-73 734098

1.33@1.11 AND 1.78 OSC			
7 TRACK FEATURE			
DATE	08-18-61	NACH.	3803-2
LOG	0051	FRAME	01
		P.N.	2736216
IBM CORP.	CO	BLK.	GP

BN301

BN301





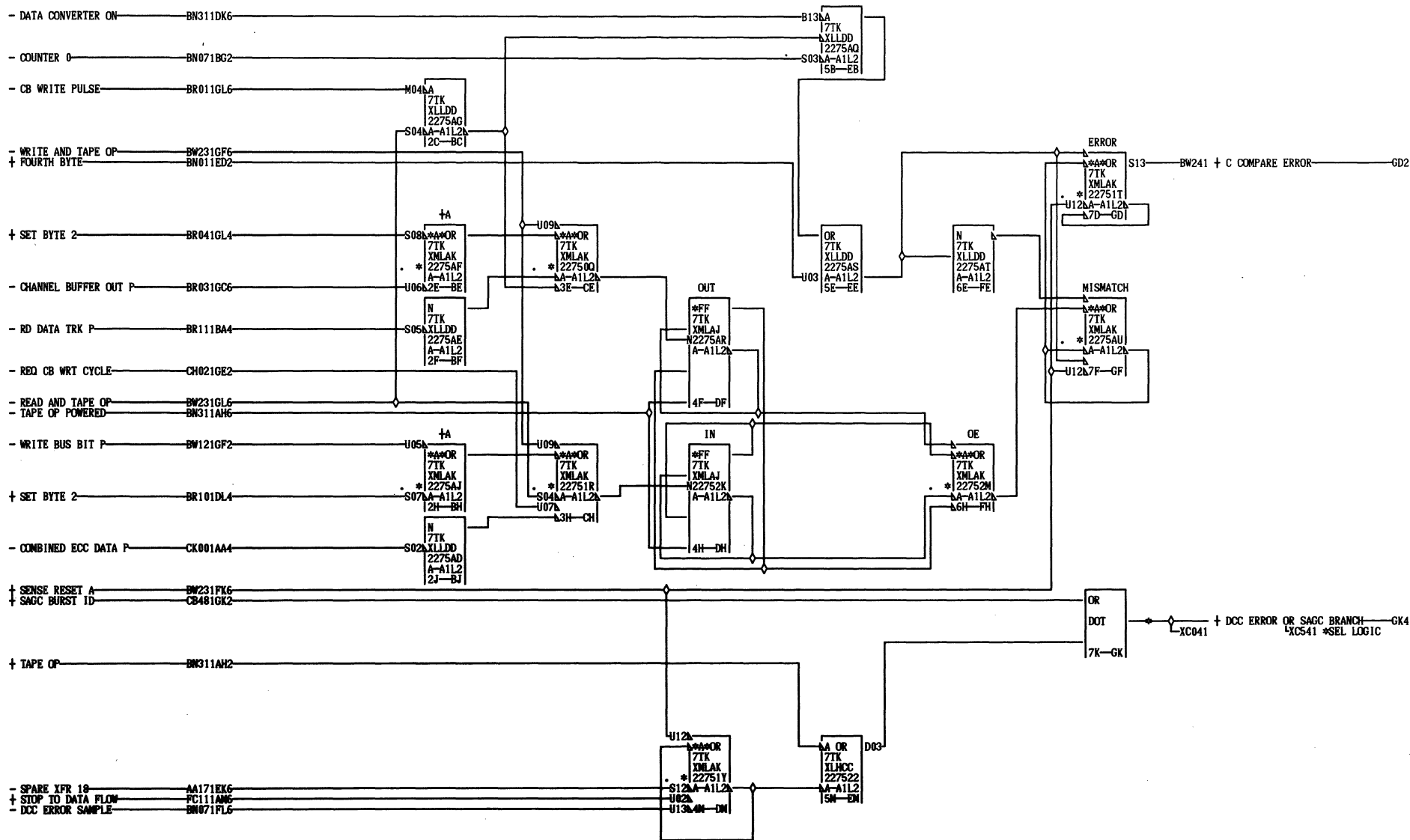
DM2 A-A1A1D11  
01X-YITIA11

07-17-73 734098

FREQ DIVIDER 200 BPI		
7 TRACK FEATURE		
DATE	08-18-81	MACH. 3803-2
LOG	0051	FRAME 01
P.N.		2736217
IBM CORP.	CO	BLK. GP

B  
N  
3  
1  
1

B  
N  
3  
1  
1



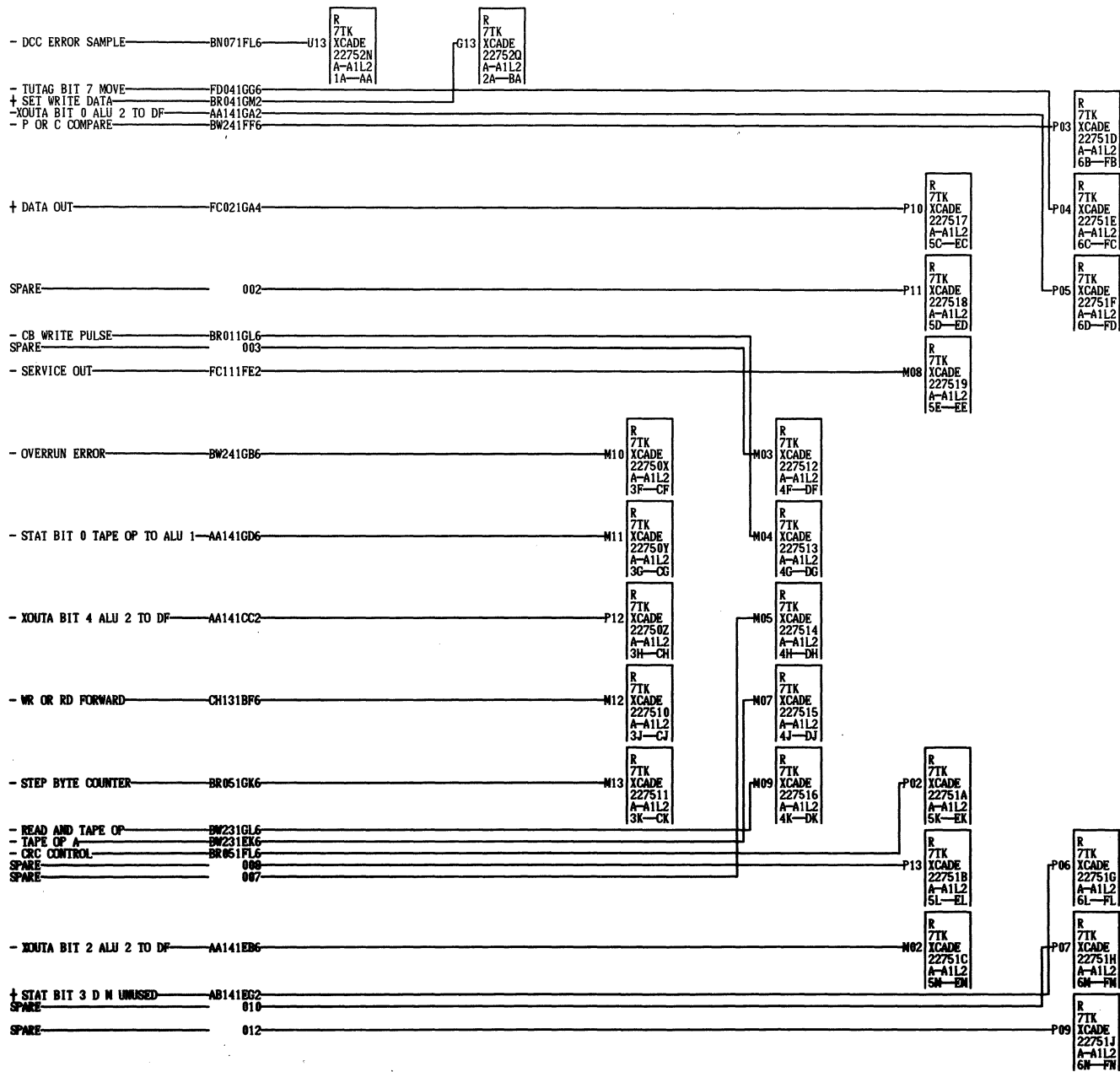
GK4 X-Y11E11  
 01A-A1B1C11  
 01A-A1A3B04  
 01A-A2C2B04

07-17-73 734098  
 02-09-79 846276

C-COMPAR		B
7 TRACK FEATURE		
DATE	08-18-81	3
LOG	9805 FRAME	
P.N. 2736218		1
IBM CORP.	CO BLK.	

B  
 N  
 3  
 2  
 1

000



07-17-73 734098

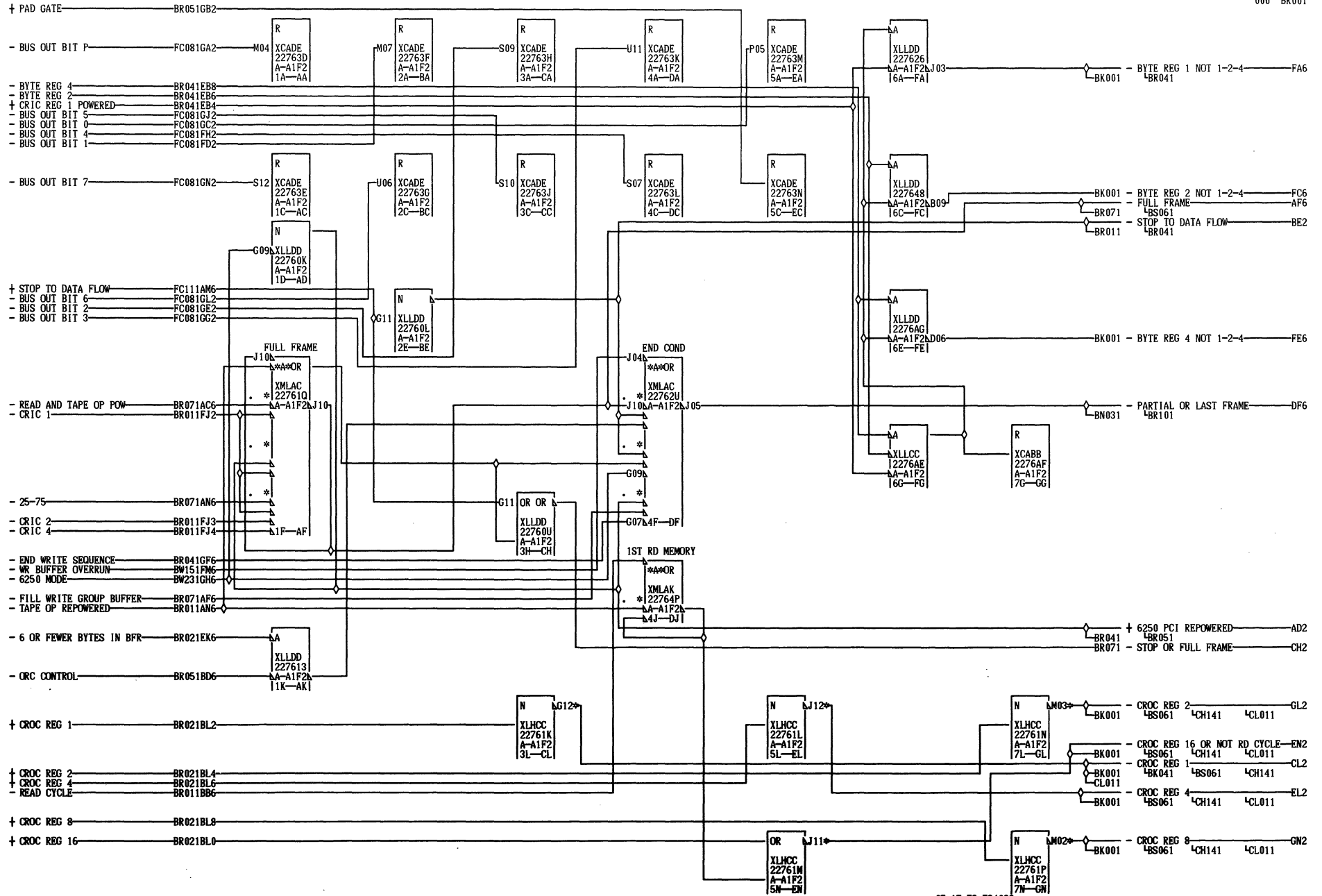
TLD TERMINATOR CARD			
7 TRACK FEATURE			
DATE	08-18-81	MACH.	3803-2
LOG	0051	FRAME	01
		P.N.	2736219
IBM CORP.	CO	BLK.	FP

B  
N  
3  
4  
1

000

B  
N  
3  
4  
1

000



B  
 R  
 0  
 0  
 1  
 000

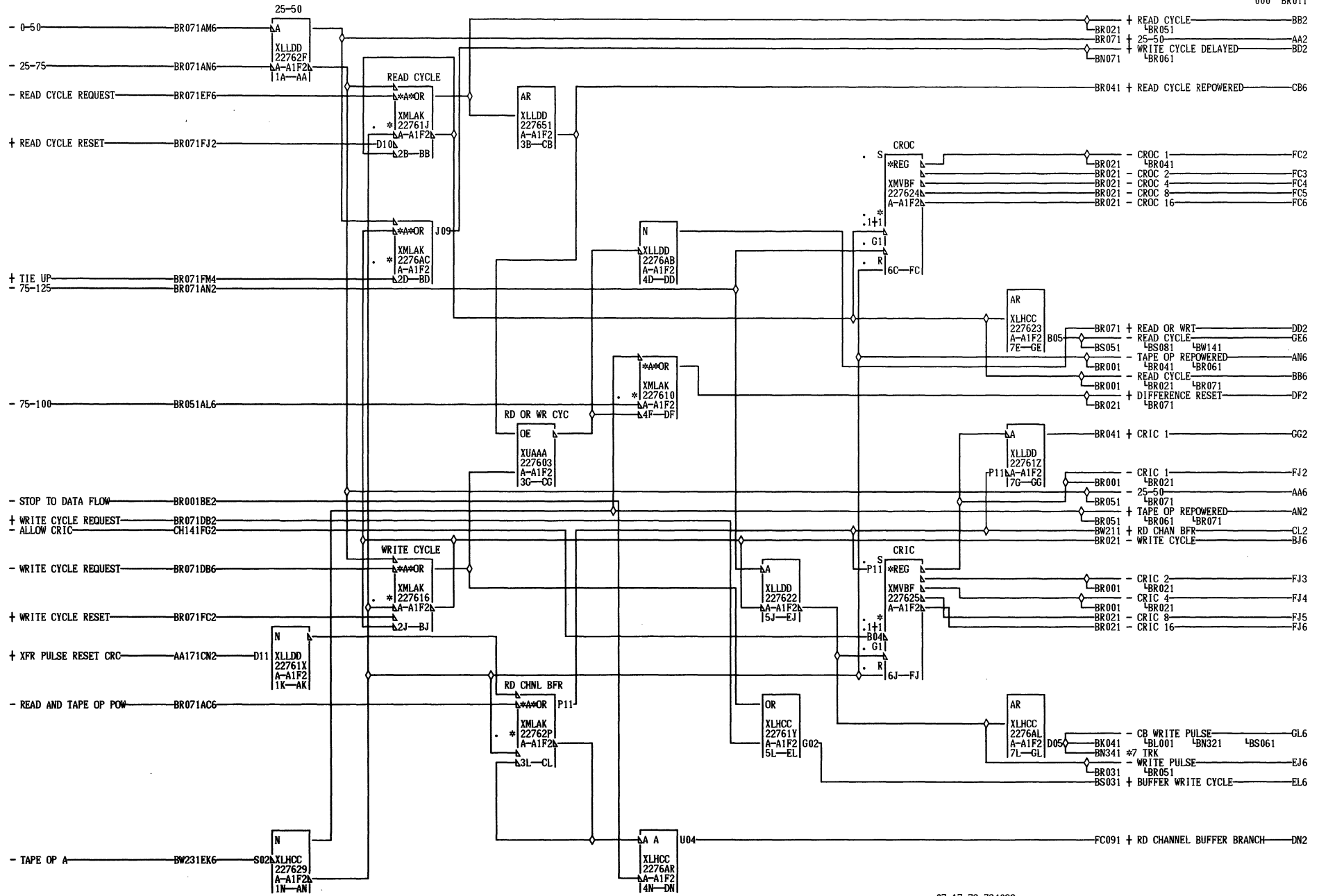
CL2 A-A1F1E13  
 01X-Y1V6A04  
 EL2 A-A1D1E11  
 01X-Y1V6A02  
 EN2 A-A1E1G11  
 01X-Y1V6B02  
 GL2 A-A1G1A13  
 01X-Y1V6B04  
 GN2 A-A1E1A11

01X-Y1T6B02

07-17-73 734098

TERMINATING RESISTORS			
CROC REG POWERING			
DATE	08-18-81	MACH.	3803-2
LOG	0051	FRAME	01
		P.N.	2736220
IBM CORP.	CO	BLK.	GP

B  
 R  
 0  
 0  
 1  
 000



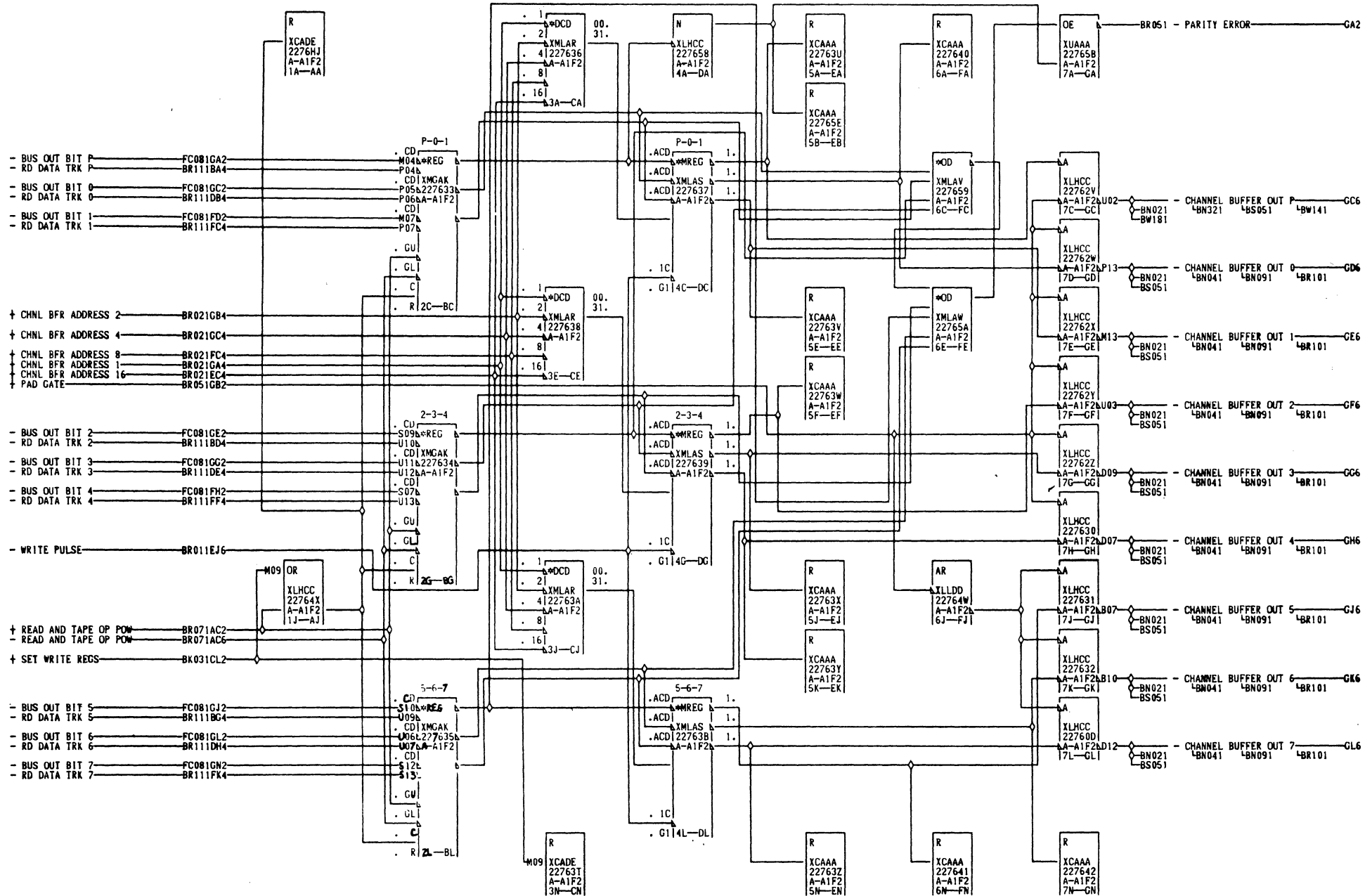
07-17-73 734098

CRIC AND CROC		READ AND WRITE CYCLES	
DATE	08-18-81	MACH.	3803-2
LOG	0051	FRAME	01
		P.N.	2736221
IBM CORP.	CO	BLK.	GM

BR011

BR011



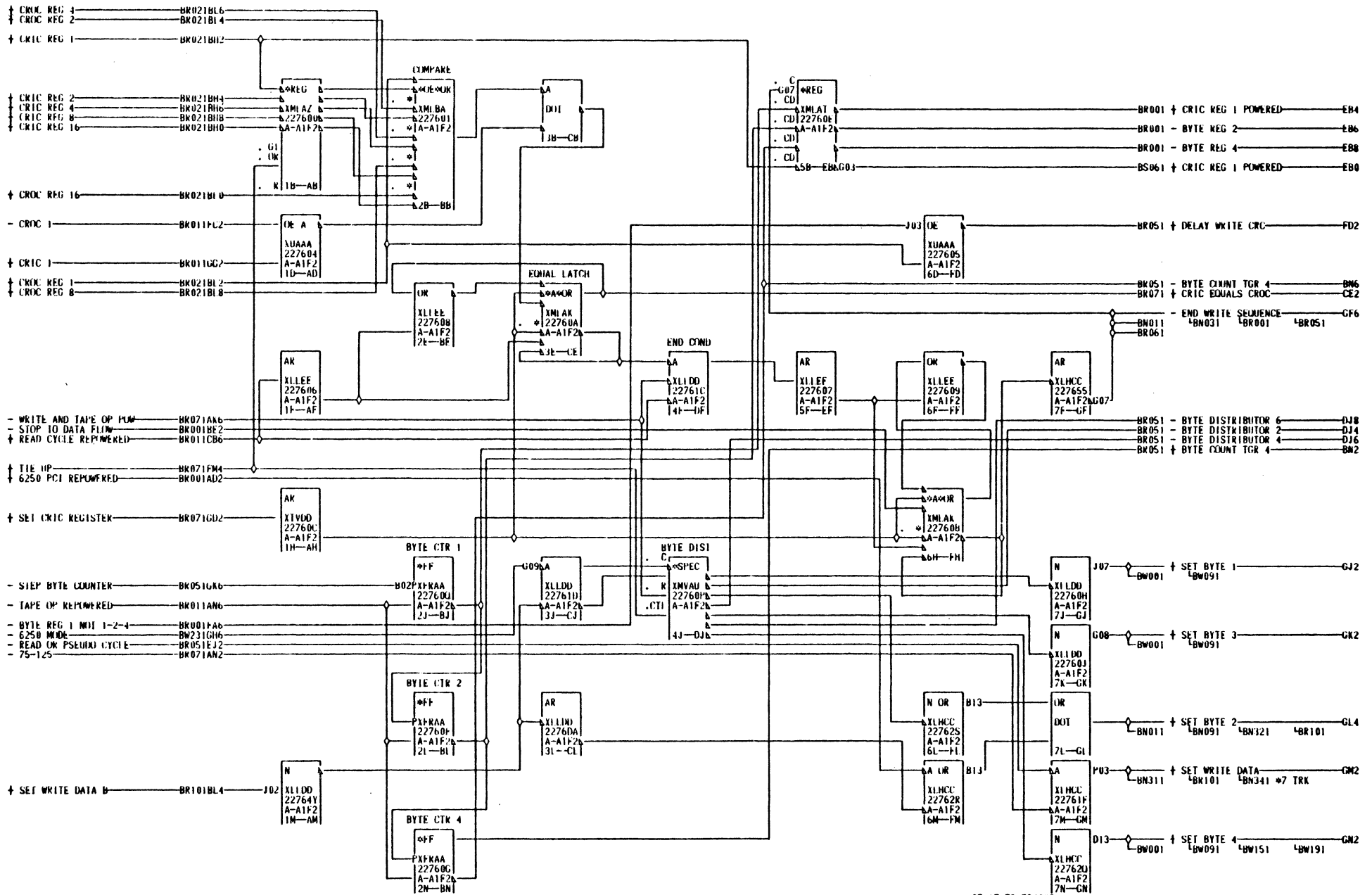


07-17-73 734098

CHANNEL BUFFER WRITE BYTE REG		
DATE	08-08-73	MACH. 3803-2
LOG	0051	FRAME 01
P.N. 2736223		
IBN CORP.	CD BLK.	GP

BR031

BR031



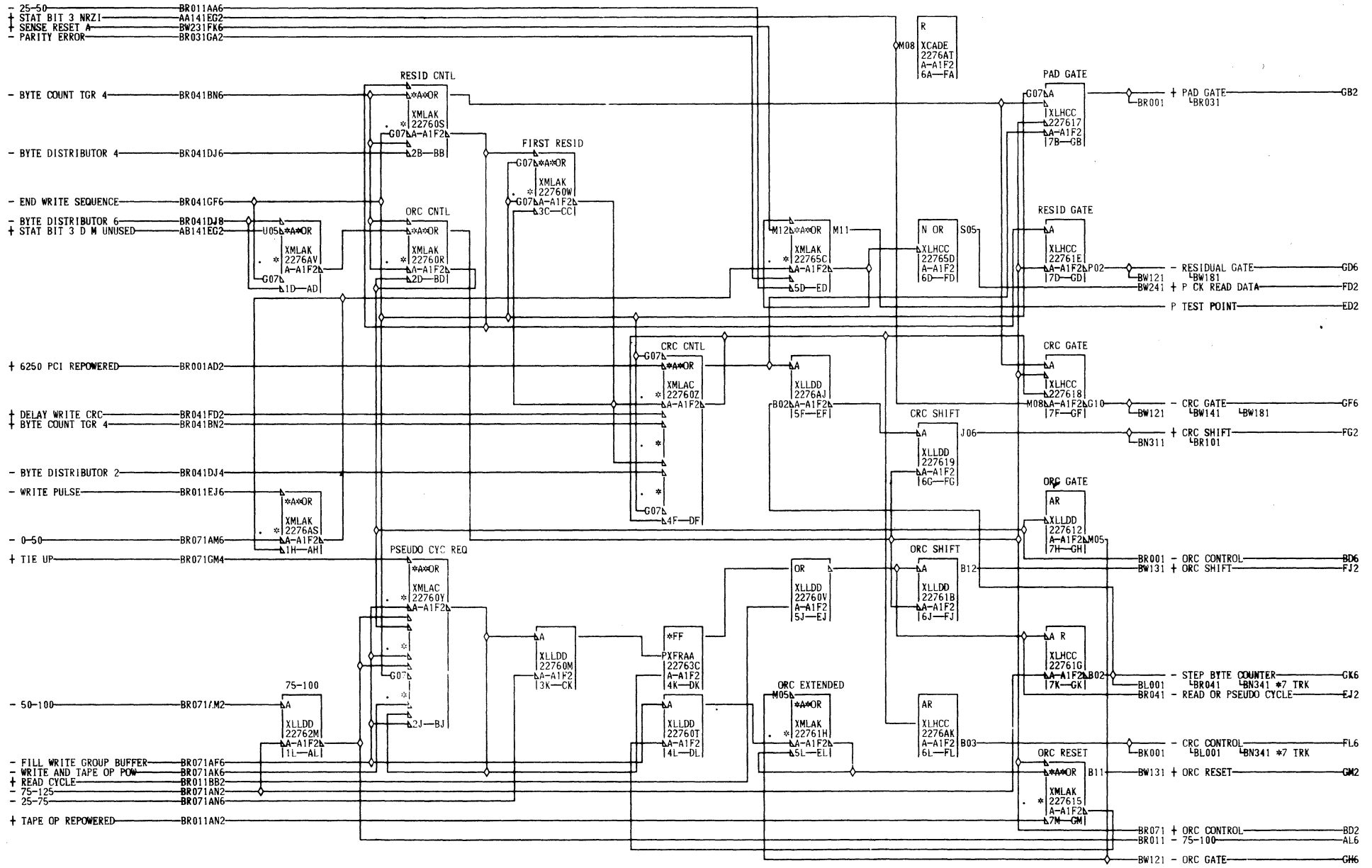
07-17-73 734098  
12-06-73 734879

BYTE COUNTER		COMPARE LOGIC	
DATE	01-11-74	MACH.	3803-2
LOG	0045	FRAME	01
		P.N.	2736224
IBM COMP.	CD	BLK.	CF

BR041

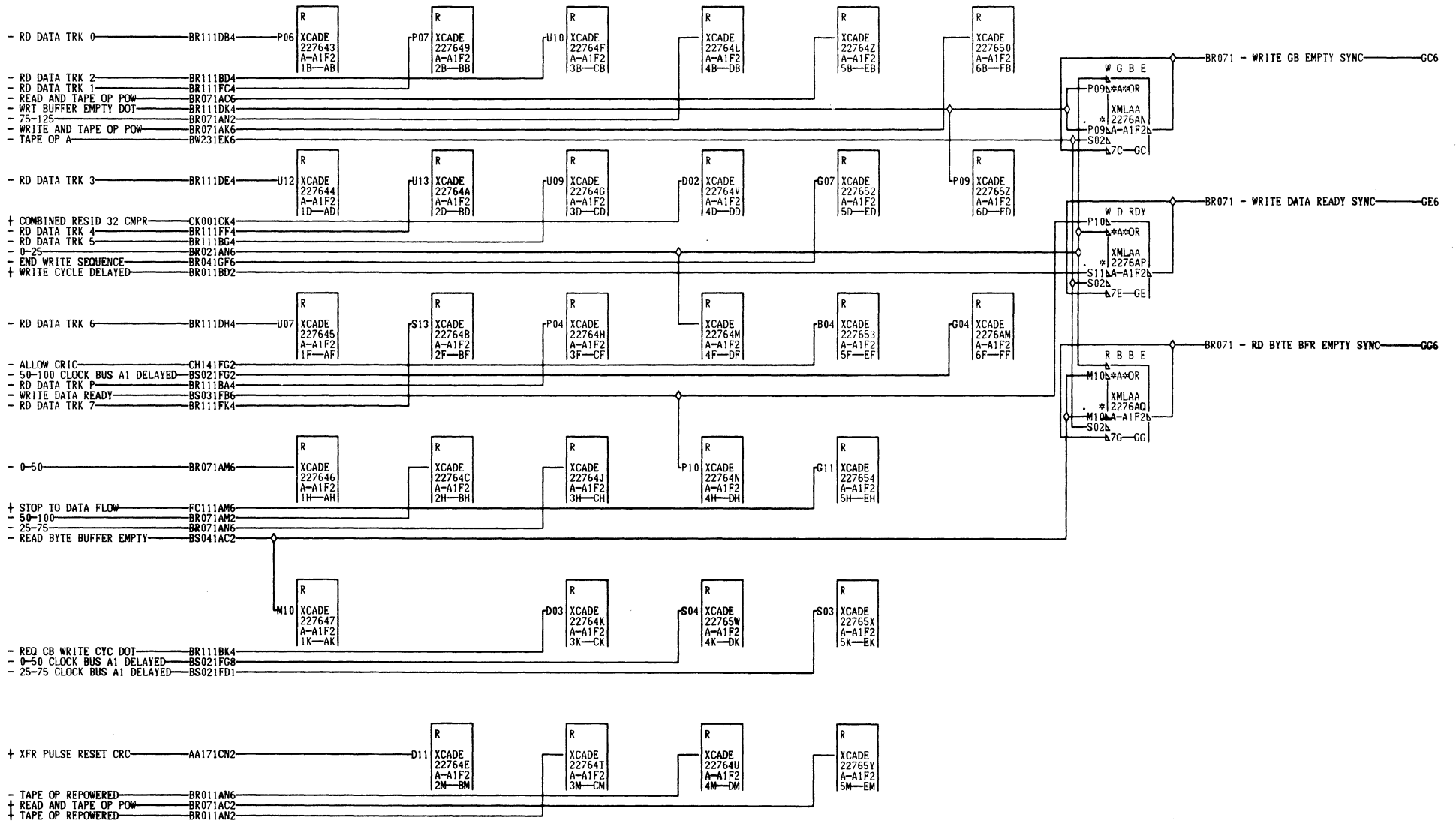
BR041





07-17-73 734098

END WRITE CONTROLS			B R O S I  000
ORC-CRC CONTROLS			
DATE	08-08-73	MACH. 3803-2	
LOG	0051	FRAME 01	
P.N. 2736225			
IBM CORP.	CO	BLK. CN	



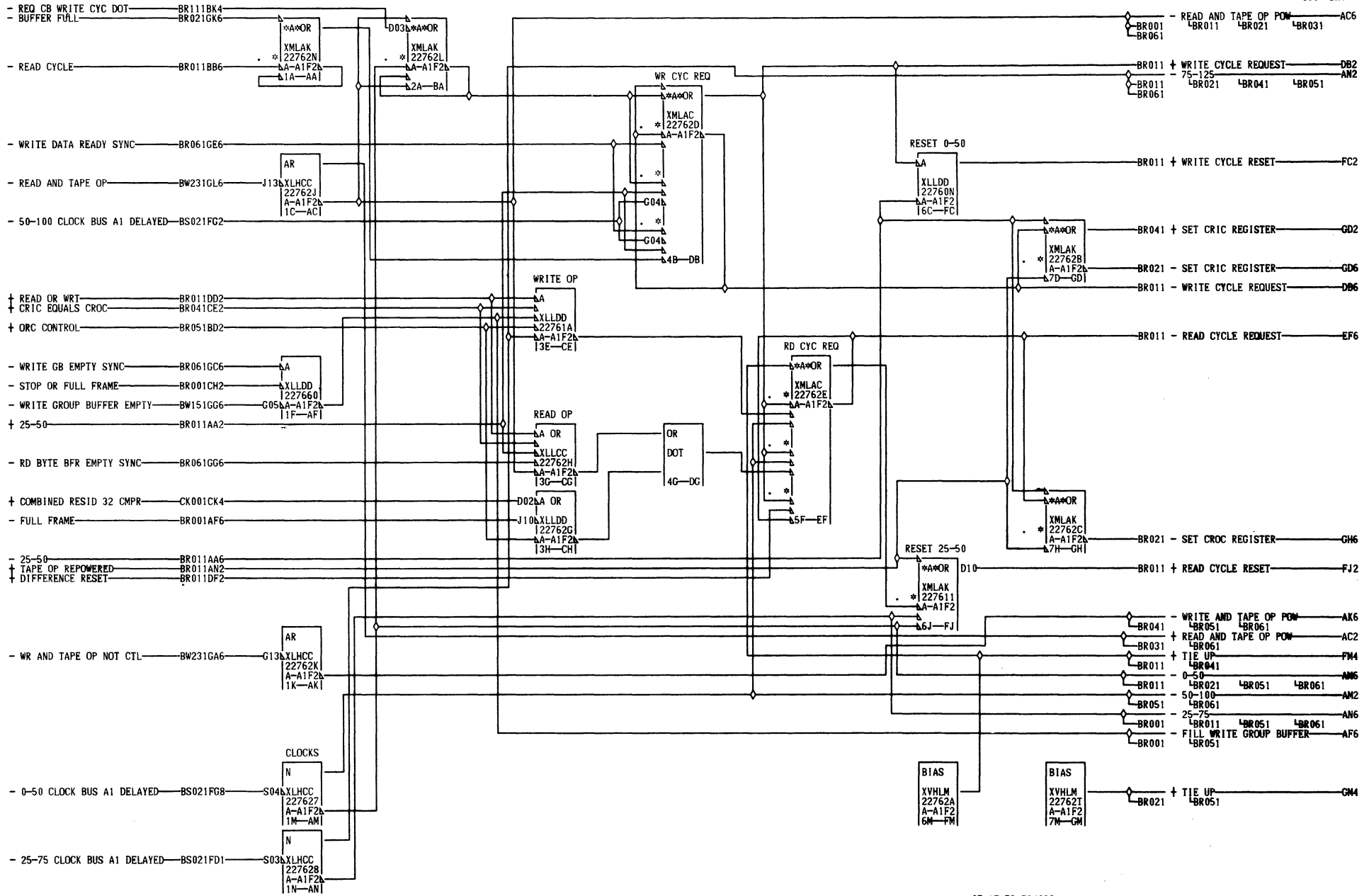
07-17-73 734098

TERMINATORS			
DATE	08-08-73	MACH.	3803-2
LOG	0051	FRAME	01
		P.N.	2736226
IBM CORP.	CO	BLK.	GH

BR061

BR061

000



07-17-73 734098

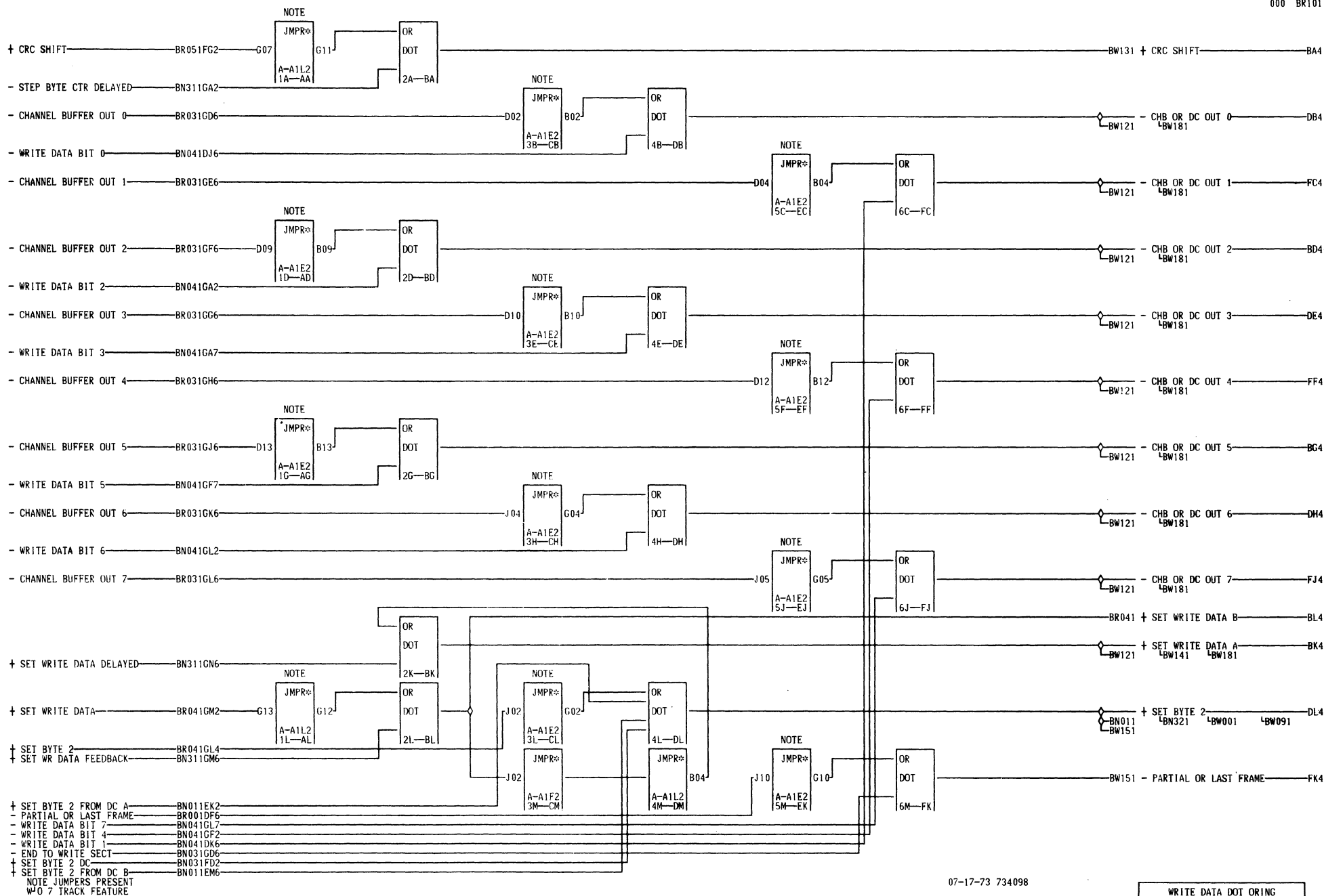
CYCLE REQUEST LATCHES			
DATE	08-08-73	MACH.	3803-2
LOG	0051	FRAME	01
		P.N.	2736227
IBM CORP.	CO	BLK.	GN

B  
R  
O  
7  
1

000

B  
R  
O  
7  
1

000

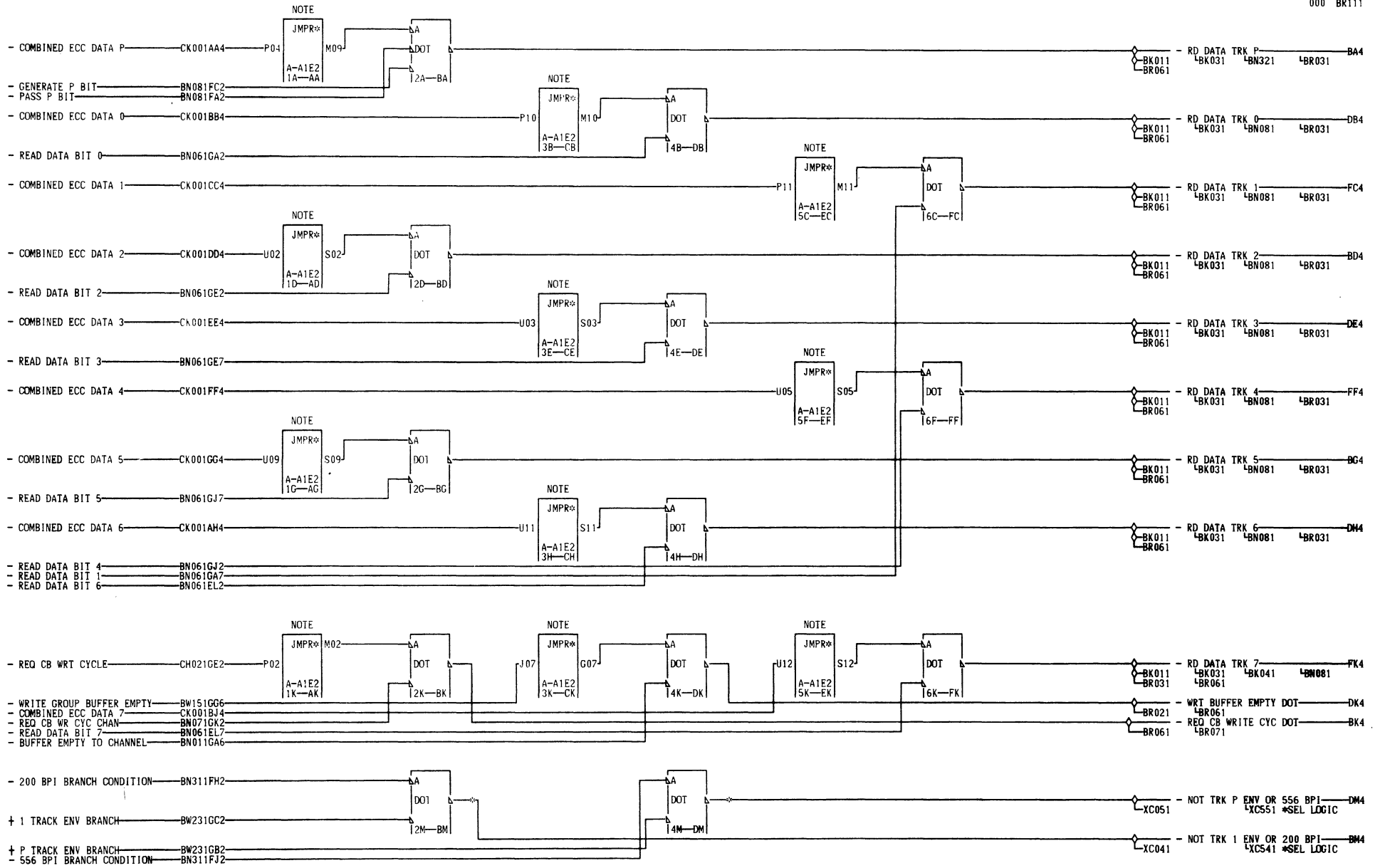


B  
R  
1  
0  
1  
000

07-17-73 734098

WRITE DATA DOT ORING			
DATE	08-08-73	MACH.	3803-2
LOG	0051	FRAME	01
		P.N.	2736228
IBM CORP.	CO	BLK.	FL

B  
R  
1  
0  
1  
000

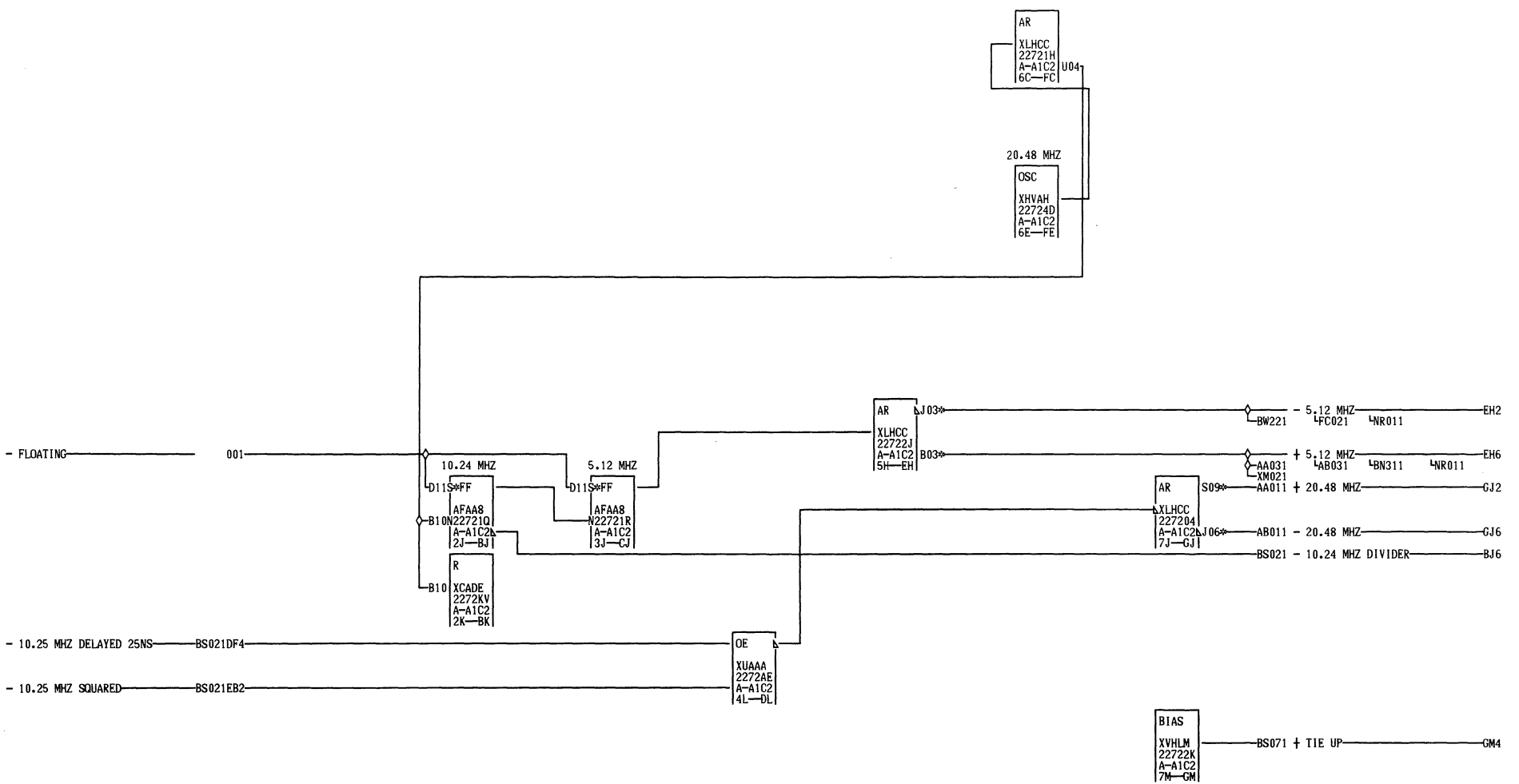


NOTE-JUMPERS PRESENT  
W/O 7 TRACK FEATURE

BM4 A-A1A5B02  
01A-A2B2B02  
DM4 A-A1L6D02  
01A-A2L1D11

07-17-73 734098

READ DATA CONVERT DOT ORING	B
DATE 08-08-73 MACH. 3803-2	R
LOG 0051 FRAME 01	1
P.N. 2736229	1
IBM CORP. CO BLK. FL	000



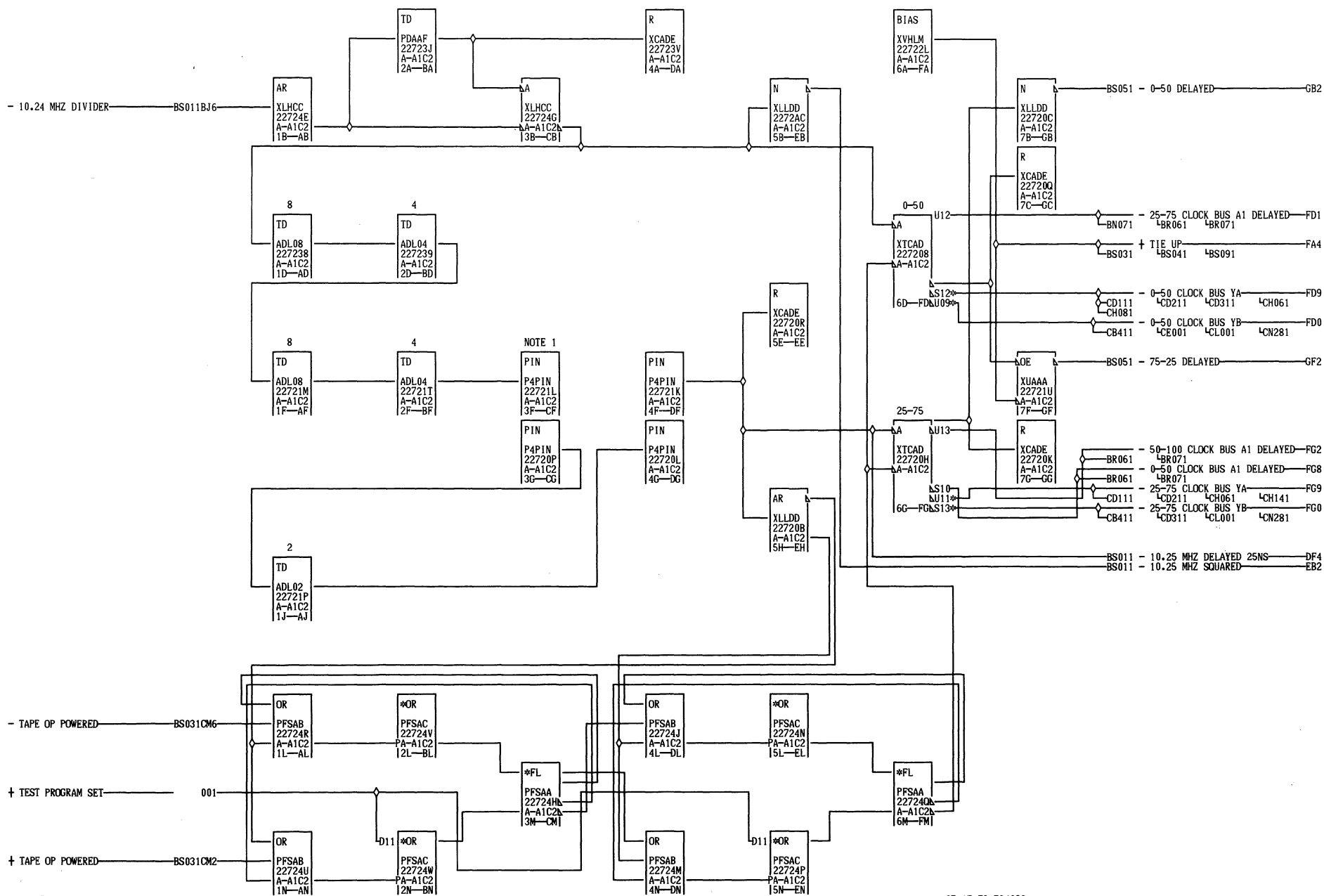
B  
S  
0  
1  
1  
000

Eh2 A-A1L1D11 01A-B2B1E13  
 01A-B2H1A11  
 Eh6 A-A1H6A02  
 01A-A2H1A11  
 01A-A2V3D07  
 01A-B2A3D07  
 GJ2 A-A1J6D04  
 01A-A2J1D13  
 GJ6 A-A1J1B13

07-17-73 734098

XTAL OSC AND FREQ DIVIDERS		
BUFFER CONTROL CARDS		
DATE	08-21-81	MACH. 3803-2
LOG	0051	FRAME 01
		P.N. 2736230
IBM CORP.	CO	BLK. GN

B  
S  
0  
1  
1  
000



NOTE 1 REFER TO AA010 FOR JUMPERING SHEET 2

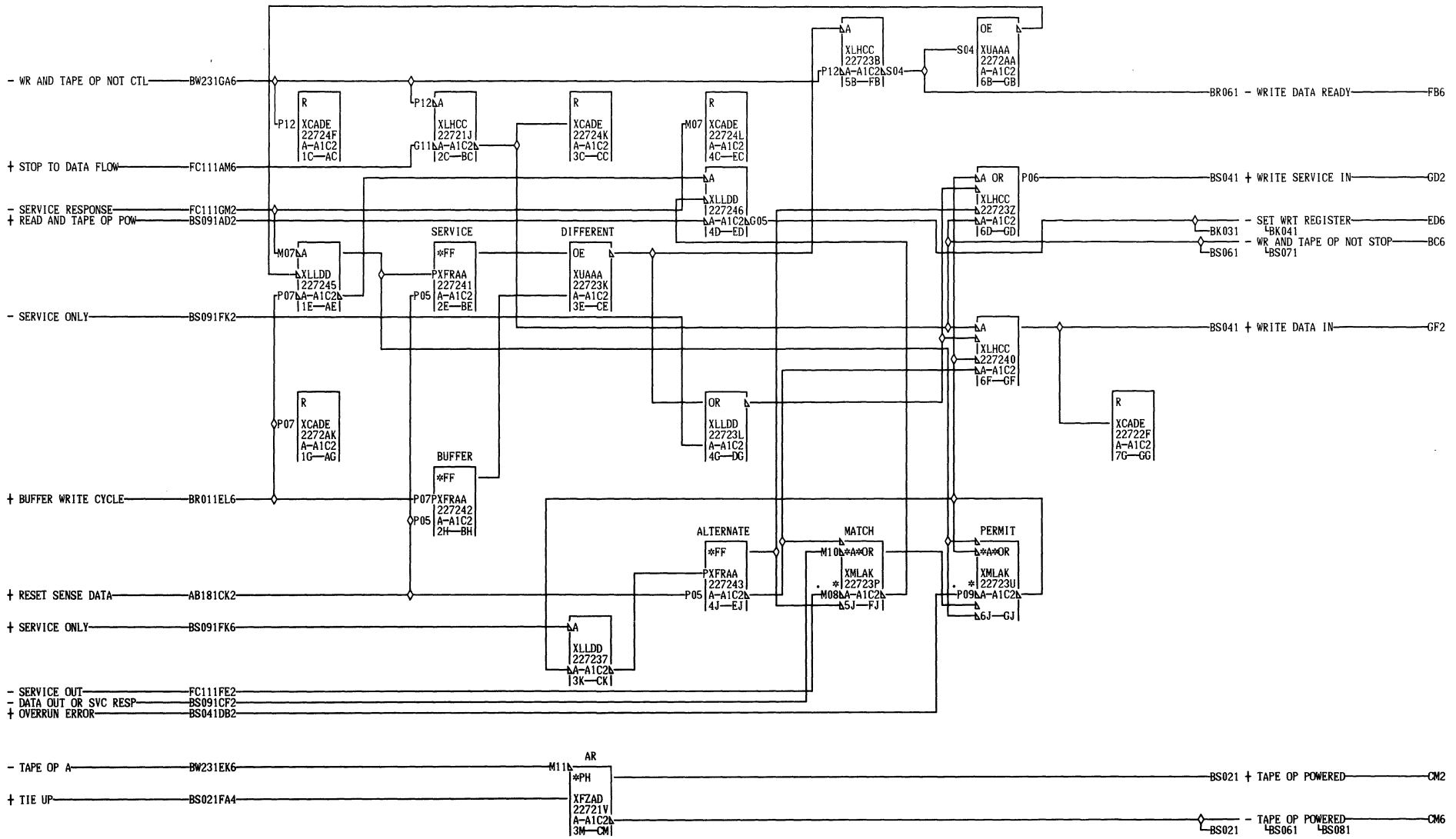
- FD0 A-A1B4B04
- 01X-Y1V4B04
- FD9 A-A1B4B02
- 01X-Y1V4B02
- FG0 A-A1B4B06
- 01X-Y1V4B06
- FG9 A-A1B4B05
- 01X-Y1V4B05

07-17-73 734098  
12-06-73 734879

DATA FLOW MASTER CLOCK			
DATE	08-21-81	MACH.	3803-2
LOG	0045	FRAME	01
		P.N.	2736231
IBM CORP.	CO	BLK.	GK

B  
S  
0  
2  
1  
000

B  
S  
0  
2  
1  
000



07-17-73 734098

BS031

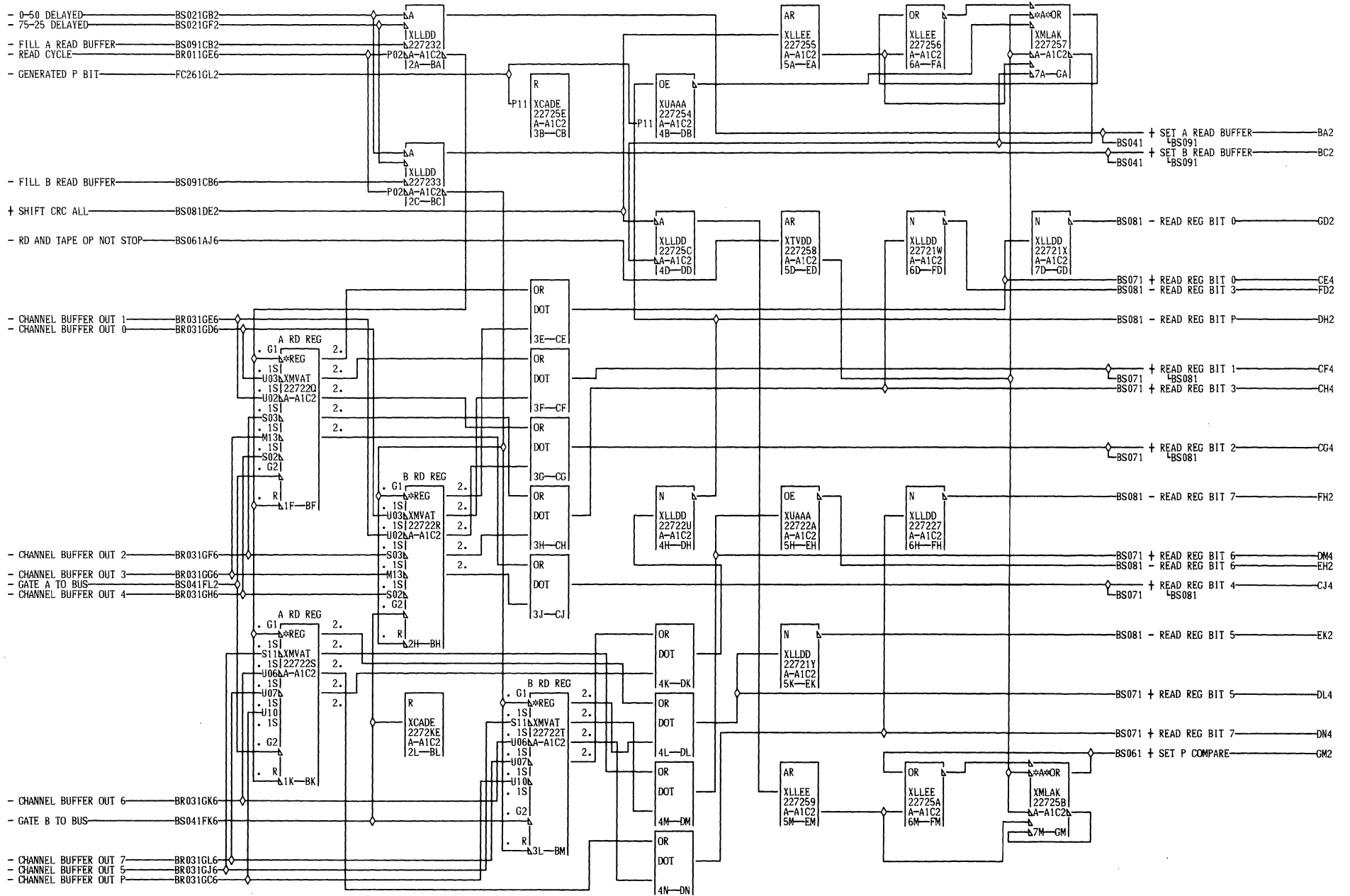
000

WRITE SERVICE CONTROLS			
DATE	08-21-81	MACH.	3803-2
LOG	0051	FRAME	01
		P.N.	2736232
IBM CORP.	CO	BLK.	GM

BS031

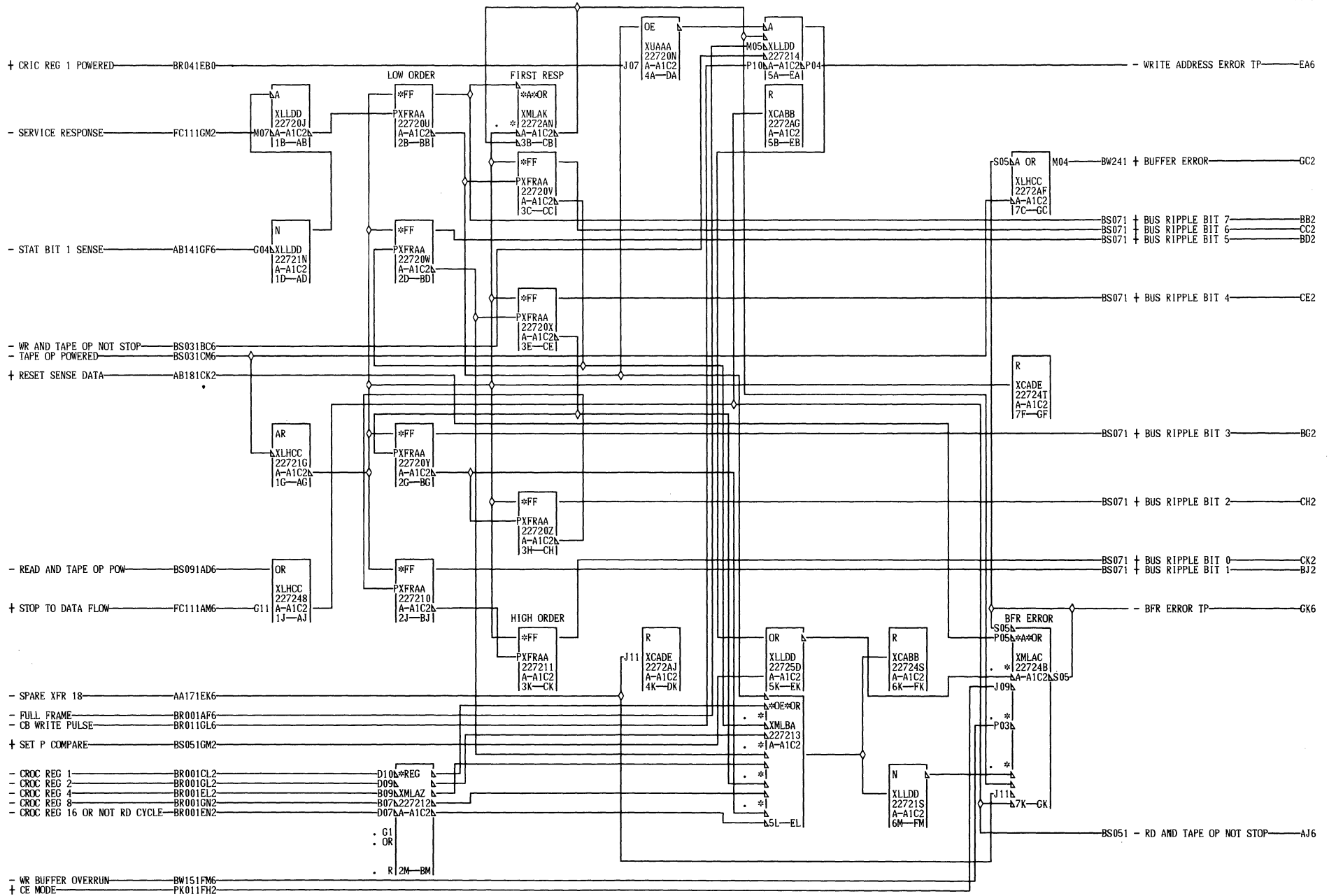






07-17-73 734098  
04-22-74 734877

READ BUFFER CONTROLS			
READ BUFFER			
DATE	08-21-81	MACH.	3803-2
LOG	0W61	FRAME	01
			P.N. 2736234
IBM CORP.	CO	BLK.	GP



07-17-73 734098  
04-22-74 734877

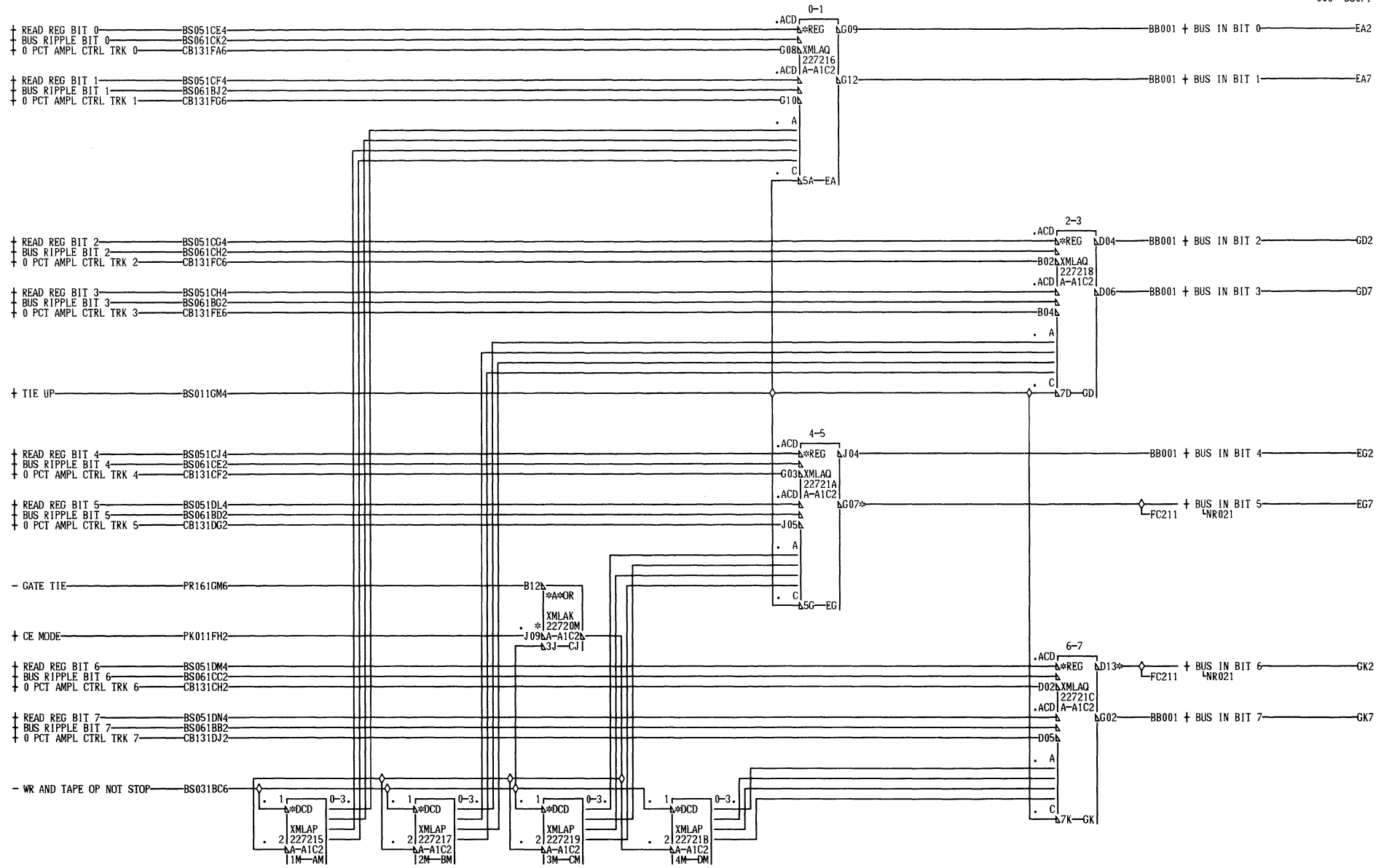
CE BUS RIPPLE COUNTER		
CHNL BFR ADDRESS CHECK		
DATE	08-21-81	MACH. 3803-2
LOG	0W06 FRAME	01
P.N. 2736235		
IBM CORP.	CO BLK.	GN

B  
S  
0  
6  
1

000

B  
S  
0  
6  
1

000



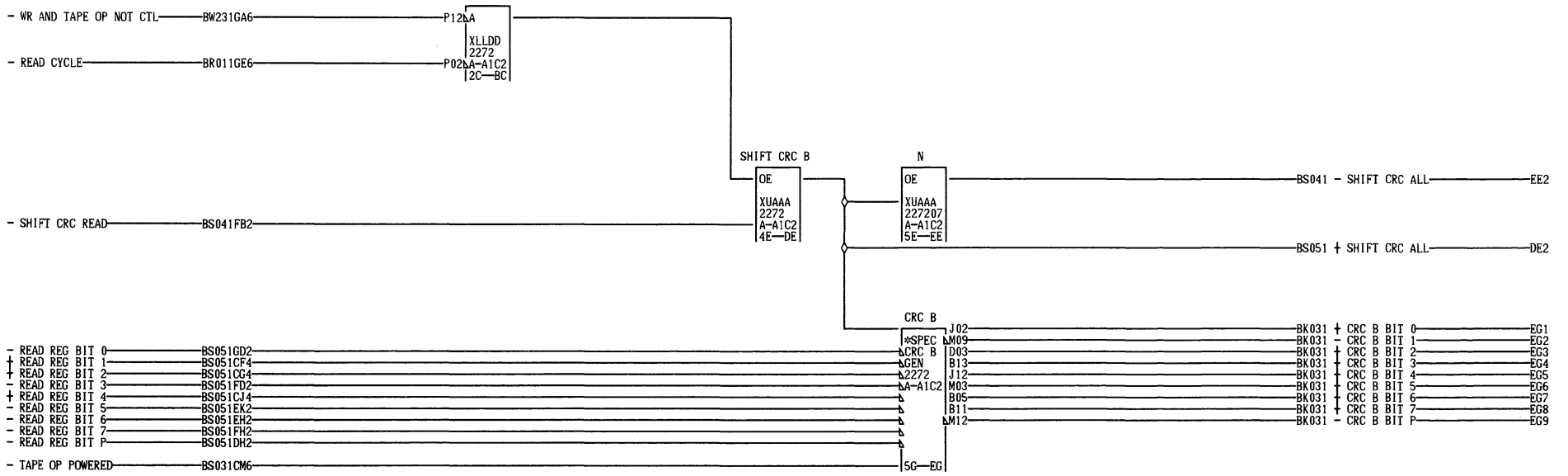
EG7 A-A1N6B02  
 01A-A2N1B11  
 CK2 A-A1N6E02  
 01A-A2N1E11

07-17-73 734098

BUS IN ASSEMBLY			
DATE	08-21-81	MACH.	3803-2
LOG	0051	FRAME	01
		P.N.	2736236
IBM CORP.	CO	BLK.	GL

B  
S  
0  
7  
1  
000

B  
S  
0  
7  
1  
000

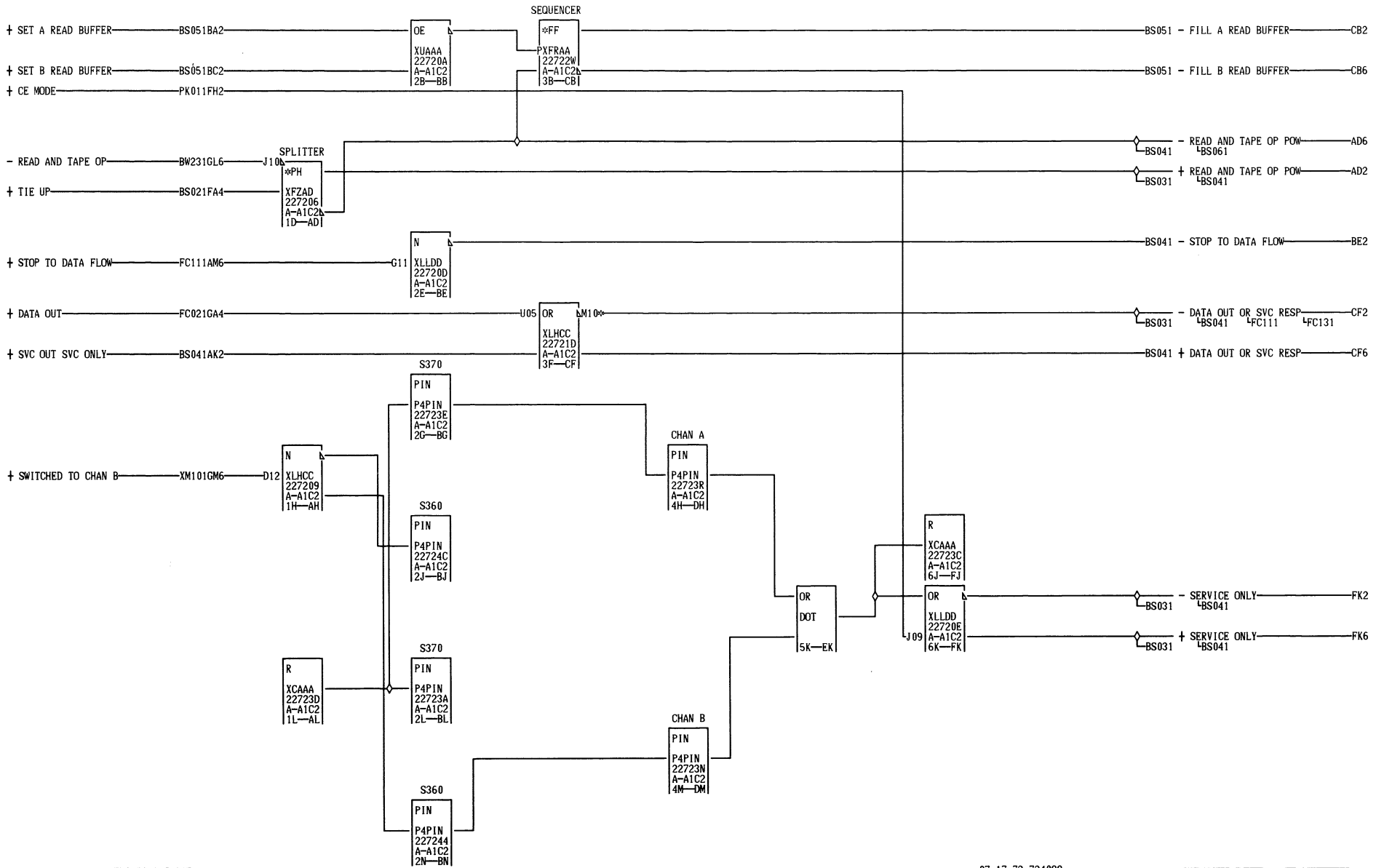


BS081  
000

07-17-73 734098  
04-22-74 734877

CRC B GENERATOR			
DATE	08-21-81	MACH.	3803-2
LOG	0J14	FRAME	01
		P.N.	2736237
IBM CORP.	BLK.		GL

BS081  
000



NOTE: PLUG CHANNELS TO REFLECT SYSTEM TYPE INSTALLED. REFER TO LOGIC PAGE AA010

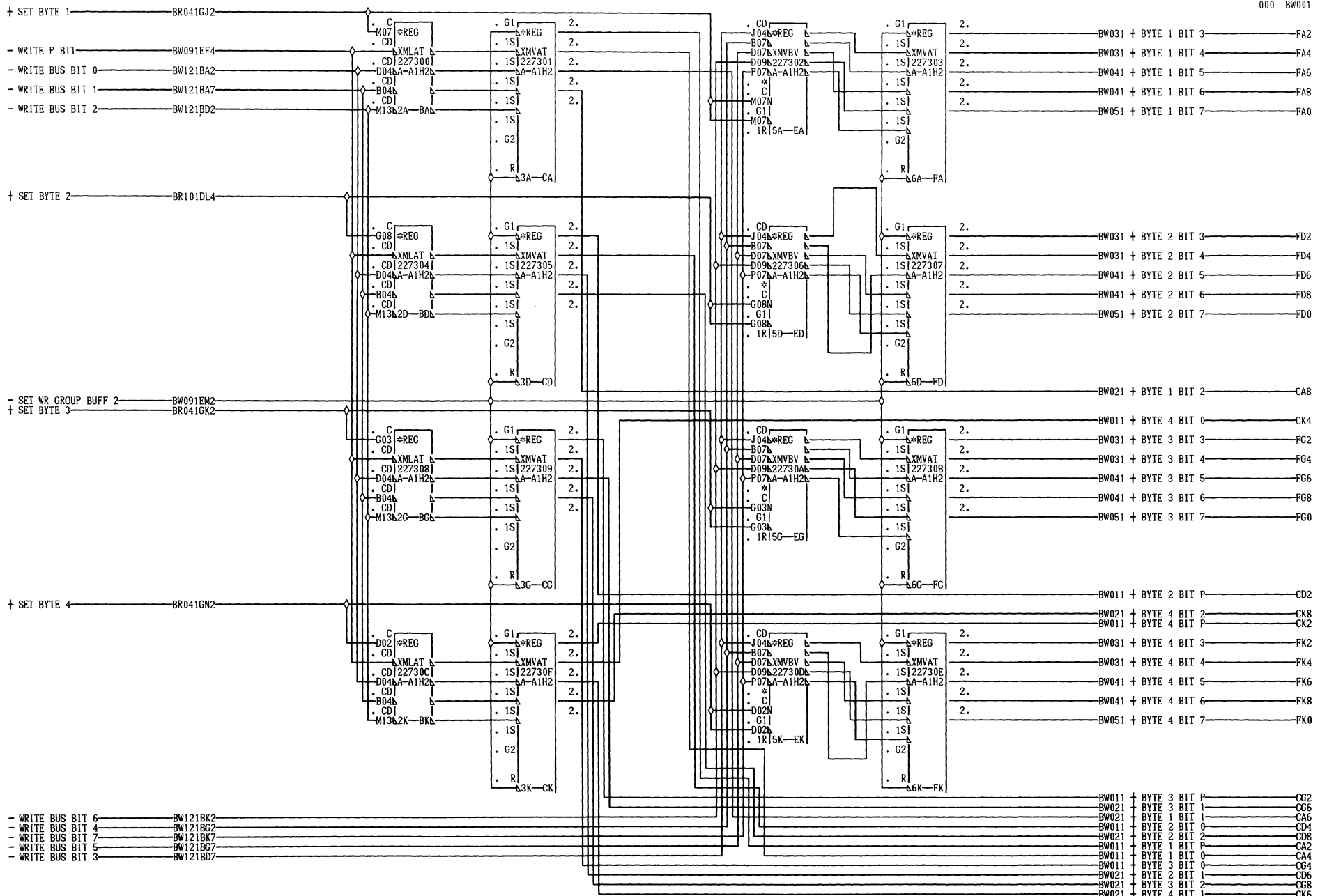
CF2 A-A1J1E11  
01A-B2C1C11

BS091

07-17-73 734098

POWERING + CHANNEL SELECTION			
DATE	08-21-81	MACH.	3803-2
LOG	0051	FRAME	01
		P.N.	2736238
IBM CORP.	CO	BLK.	FP

BS091

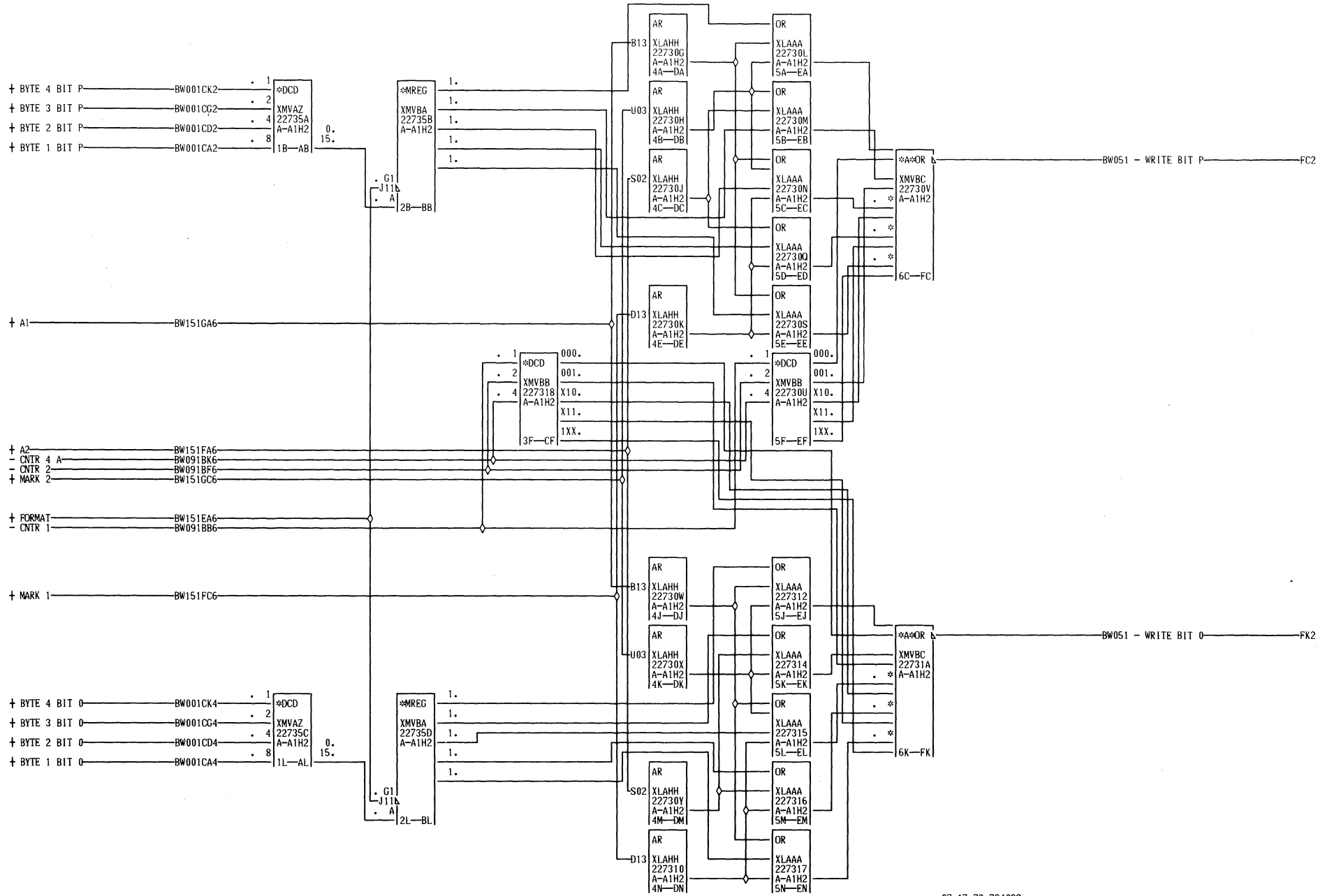


07-17-73 734098

B  
W  
0  
0  
1  
000

WRITE FRAME BUFFER			
DATE	08-21-81	MACH.	3803-2
LOG	0051	FRAME	01
		P.N.	2736239
IBM CORP.	CO	BLK.	GB

B  
W  
0  
0  
1  
000



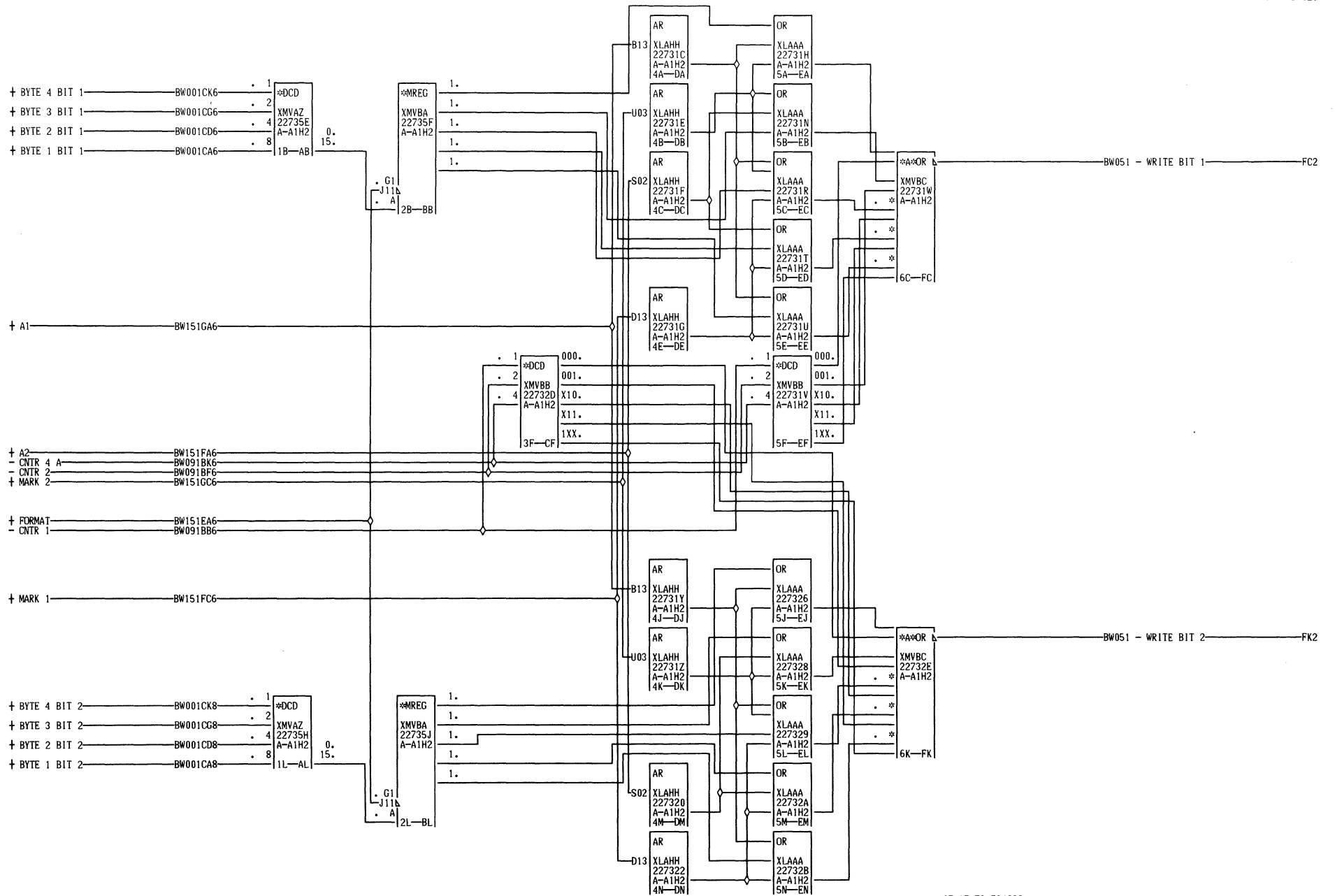
07-17-73 734098

WRITE ENCODER P 0			
DATE	08-21-81	MACH.	3803-2
LOG	0051	FRAME	01
		P.N.	2736240
IBM CORP.	CO	BLK.	GP

B  
W  
0  
1  
1

B  
W  
0  
1  
1



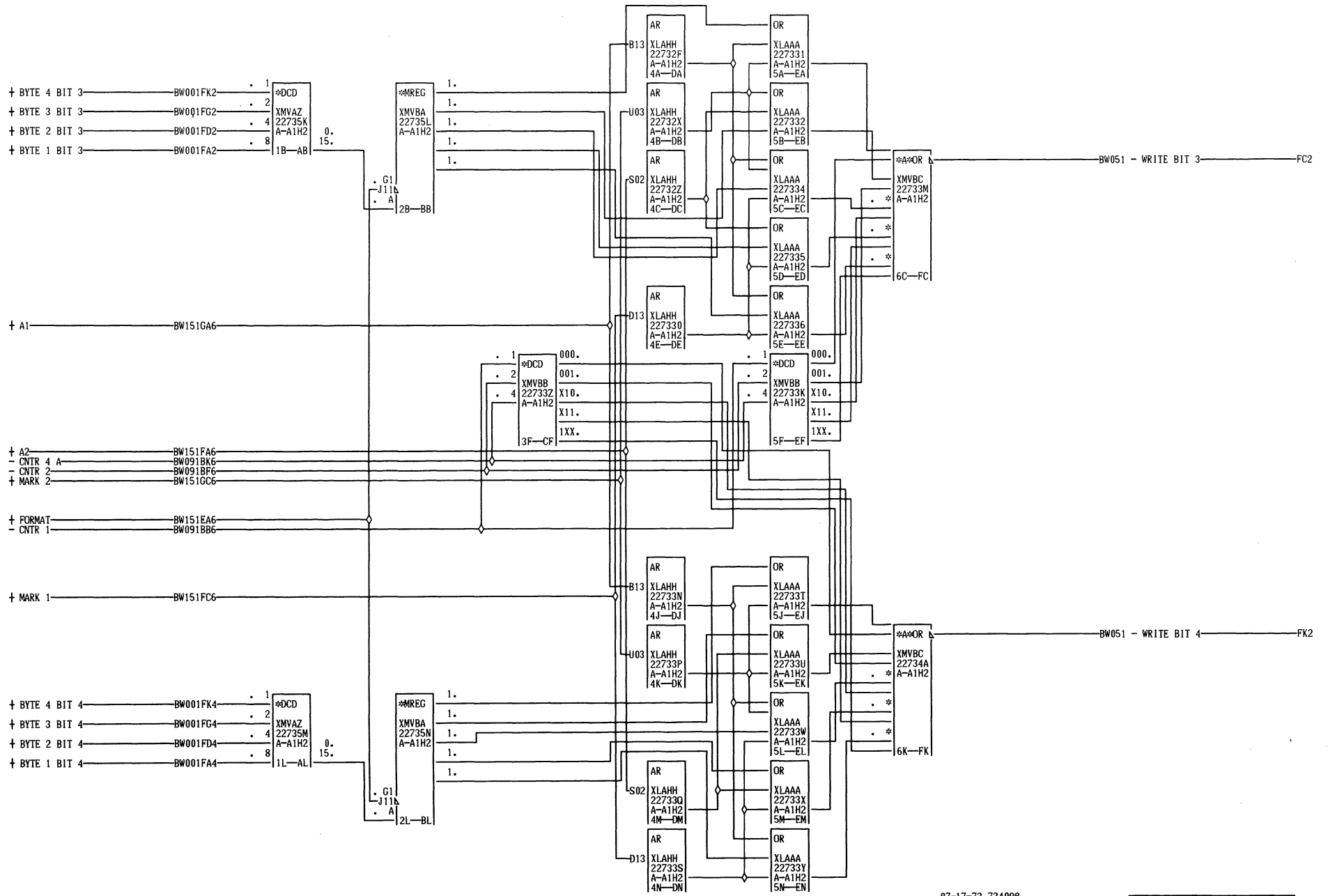


07-17-73 734098

B  
W  
0  
2  
1  
000

WRITE ENCODER 1 2			
DATE	08-21-81	MACH.	3803-2
LOG	0051	FRAME	01
		P.N.	2736241
IBM CORP.	CO	BLK.	GD

B  
W  
0  
2  
1  
000

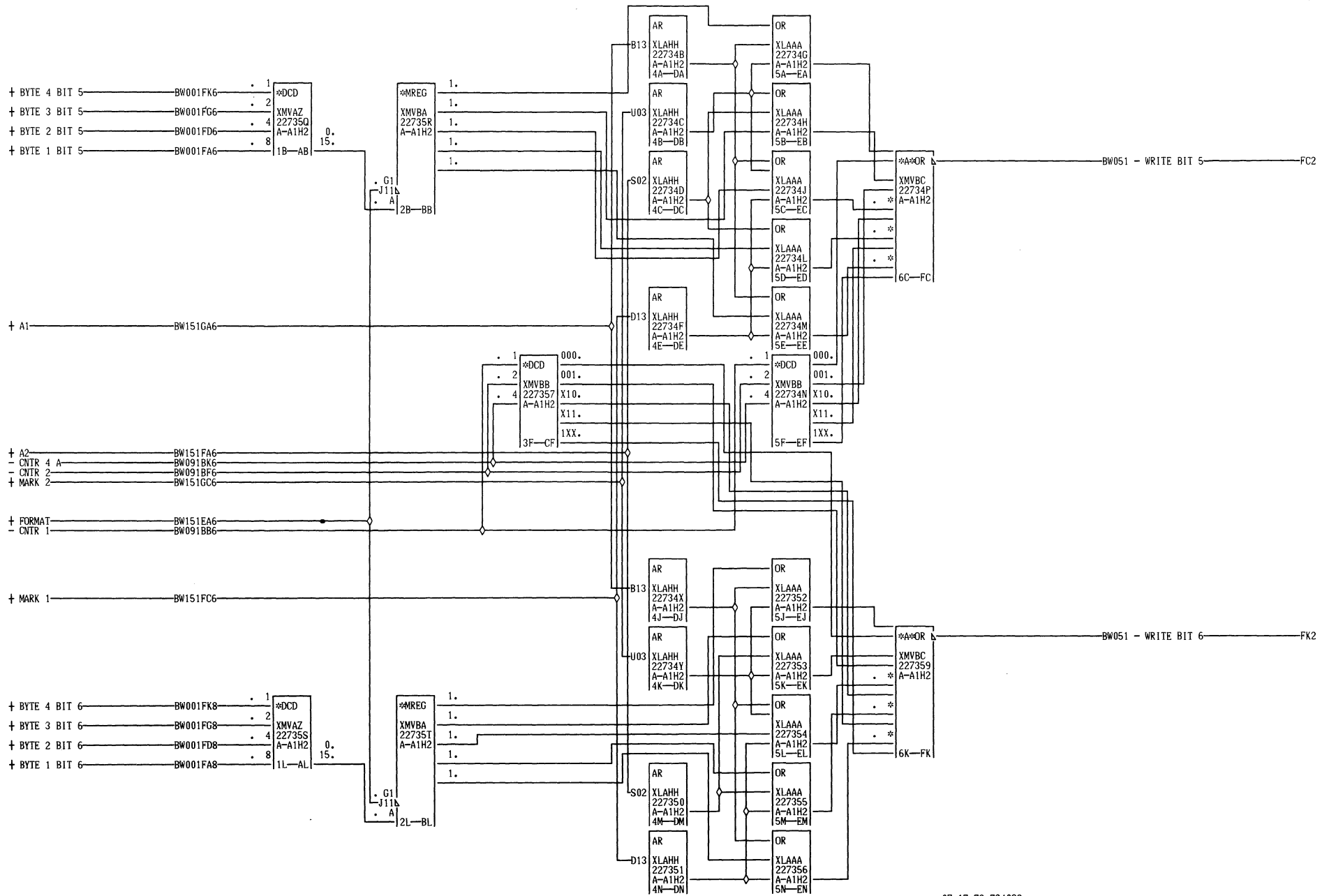


07-17-73 734098

B  
W  
0  
3  
1  
  
000

WRITE ENCODER 3 4			
DATE	08-21-81	MACH.	3803-2
LOG	0051	FRAME	01
		P.N.	2736242
IBM CORP.	CO	BLK.	GD

B  
W  
0  
3  
1  
  
000

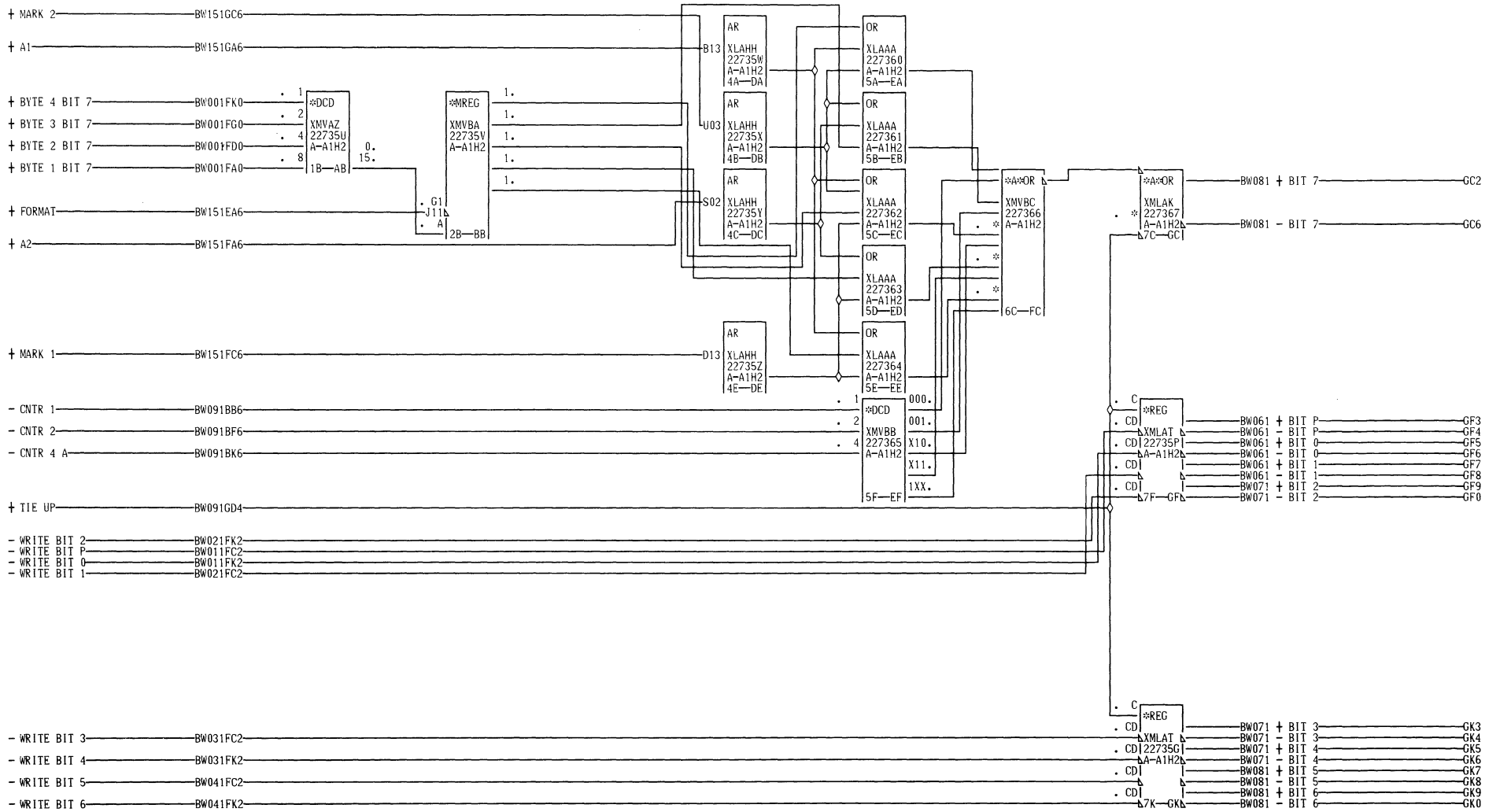


07-17-73 734098

B  
W  
0  
4  
1  
000

WRITE ENCODER 5 6			
DATE	08-21-81	MACH.	3803-2
LOG	0051	FRAME	01
		P.N.	2736243
IBM CORP.	CO	BLK.	FL

B  
W  
0  
4  
1  
000

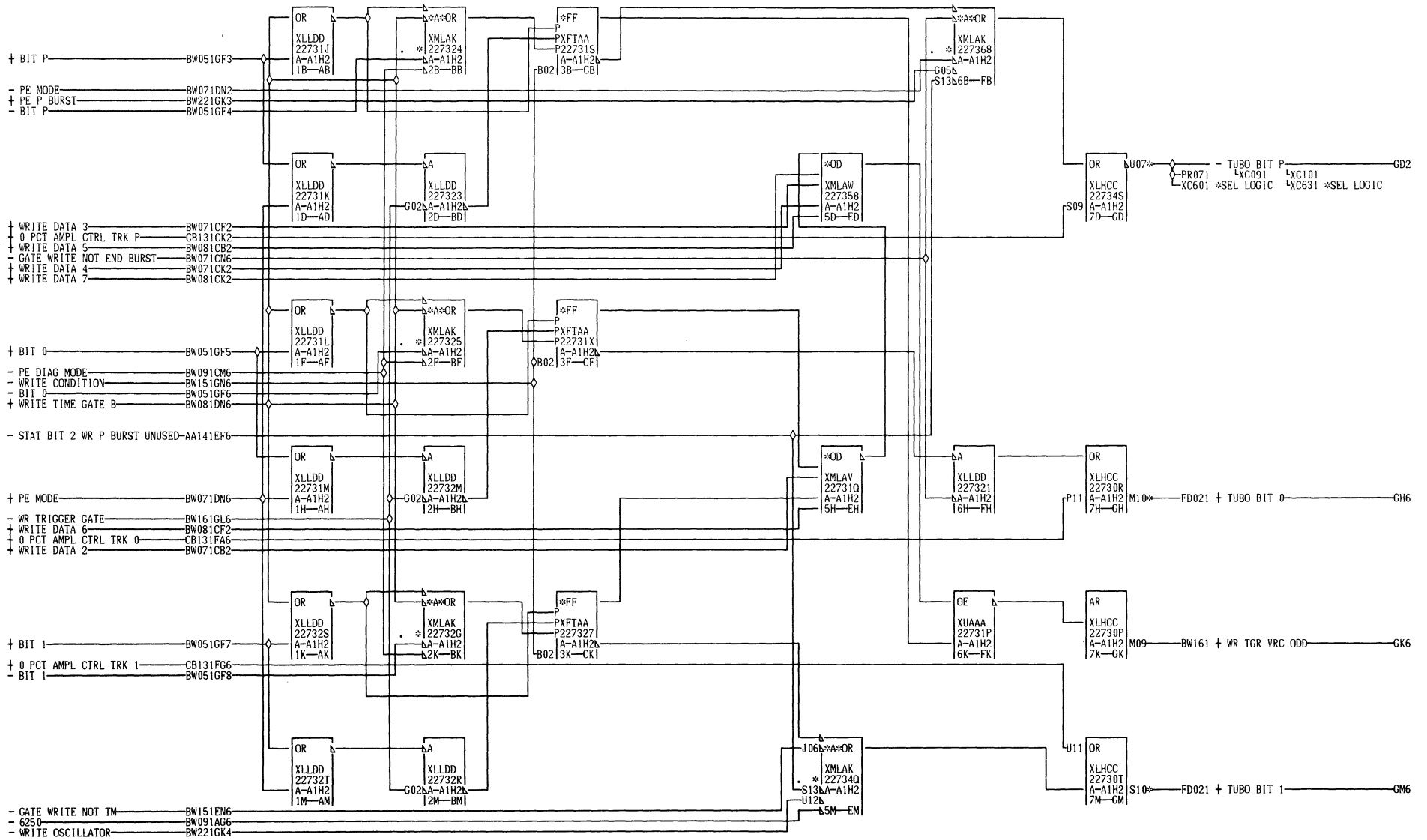


07-17-73 734098

B  
W  
O  
S  
1  
000

WRITE ENCODER 7			
DATE	08-21-81	MACH.	3803-2
LOG	0051	FRAME	01
		P.N.	2736244
IBM CORP.	CO	BLK.	GL

B  
W  
O  
S  
1  
000



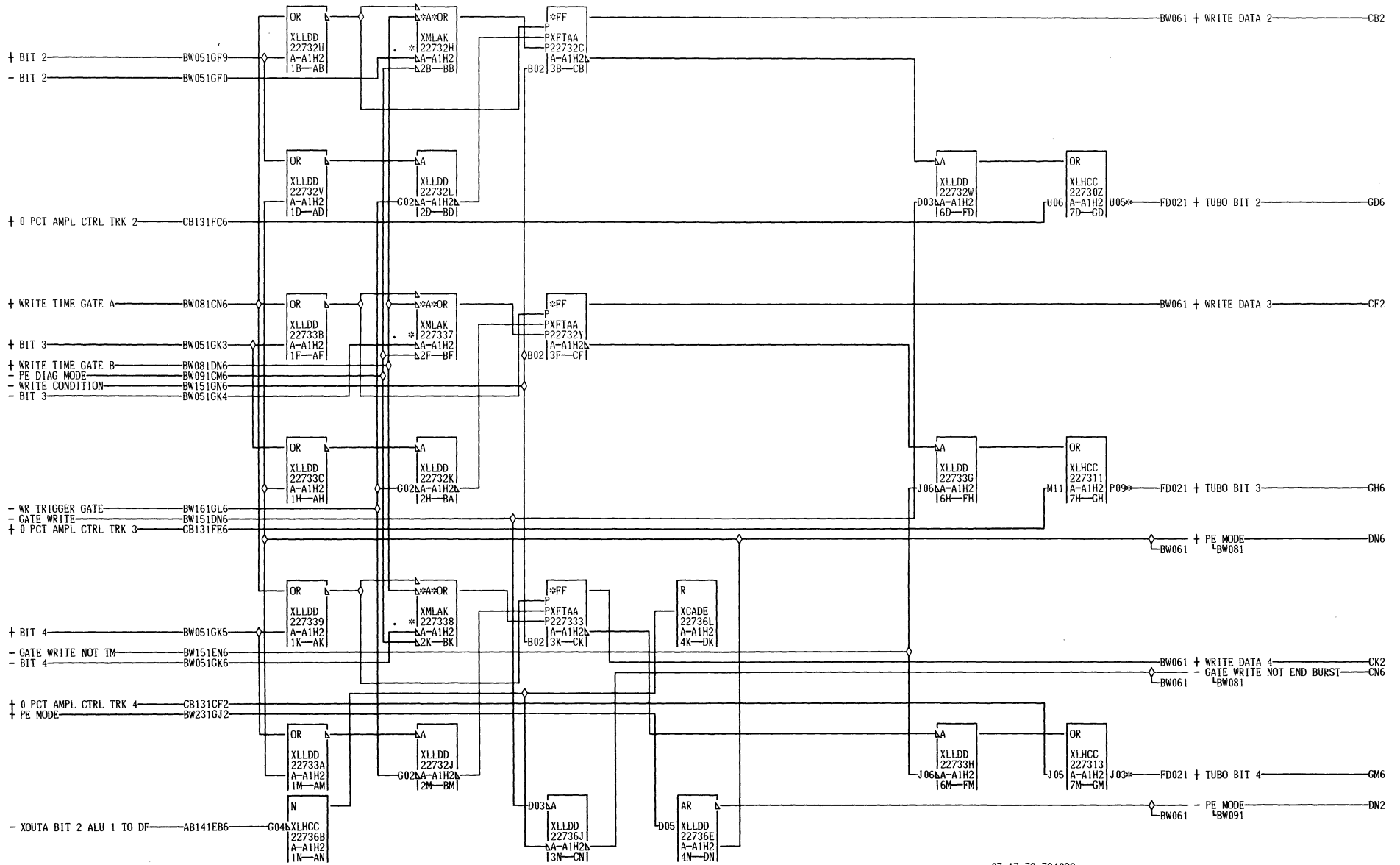
B  
W  
0  
6  
1

GD2 A-A1A4B12  
01A-A2A2B12  
CH6 A-A1A6D04  
01A-A2A1D13  
GM6 A-A1B6A04  
01A-A2B1A13

07-17-73 734098

WRITE TRIGGERS P 0 1		
DATE	08-21-81	MACH. 3803-2
LOG	0051	FRAME 01
		P.N. 2736245
IBM CORP.	CO BLK.	GP

B  
W  
0  
6  
1  
000



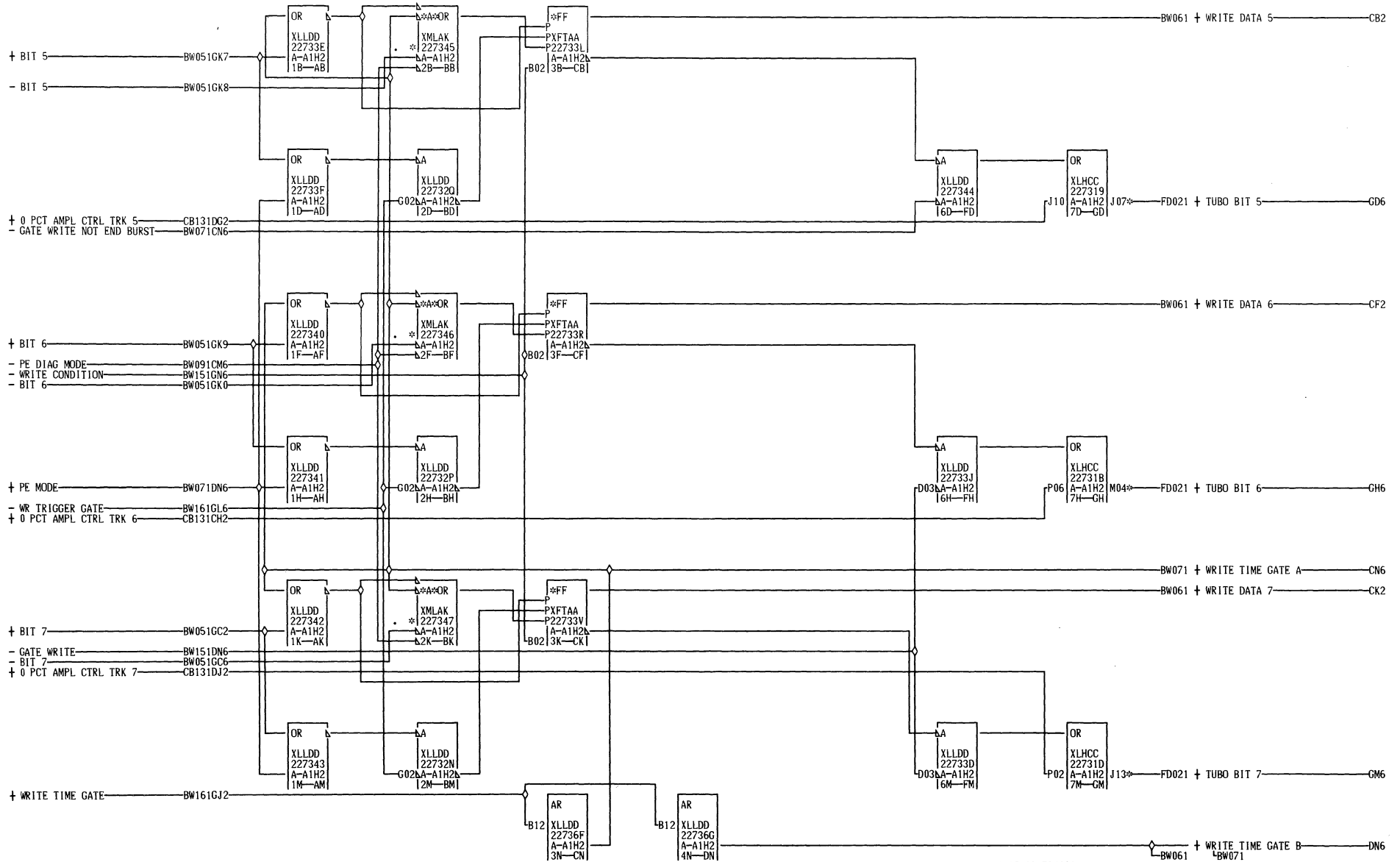
G06 A-A1B6B04  
 01A-A2B1B13  
 GH6 A-A1B6C04  
 01A-A2B1C13  
 CM6 A-A1B6E04  
 01A-A2B1E13

B  
 W  
 0  
 7  
 1  
 000

07-17-73 734098

WRITE TRIGGERS 2 3 4			
DATE	08-21-81	MACH.	3803-2
LOG	0051	FRAME	01
		P.N.	2736246
IBM CORP.	CO	BLK.	GN

B  
 W  
 0  
 7  
 1  
 000



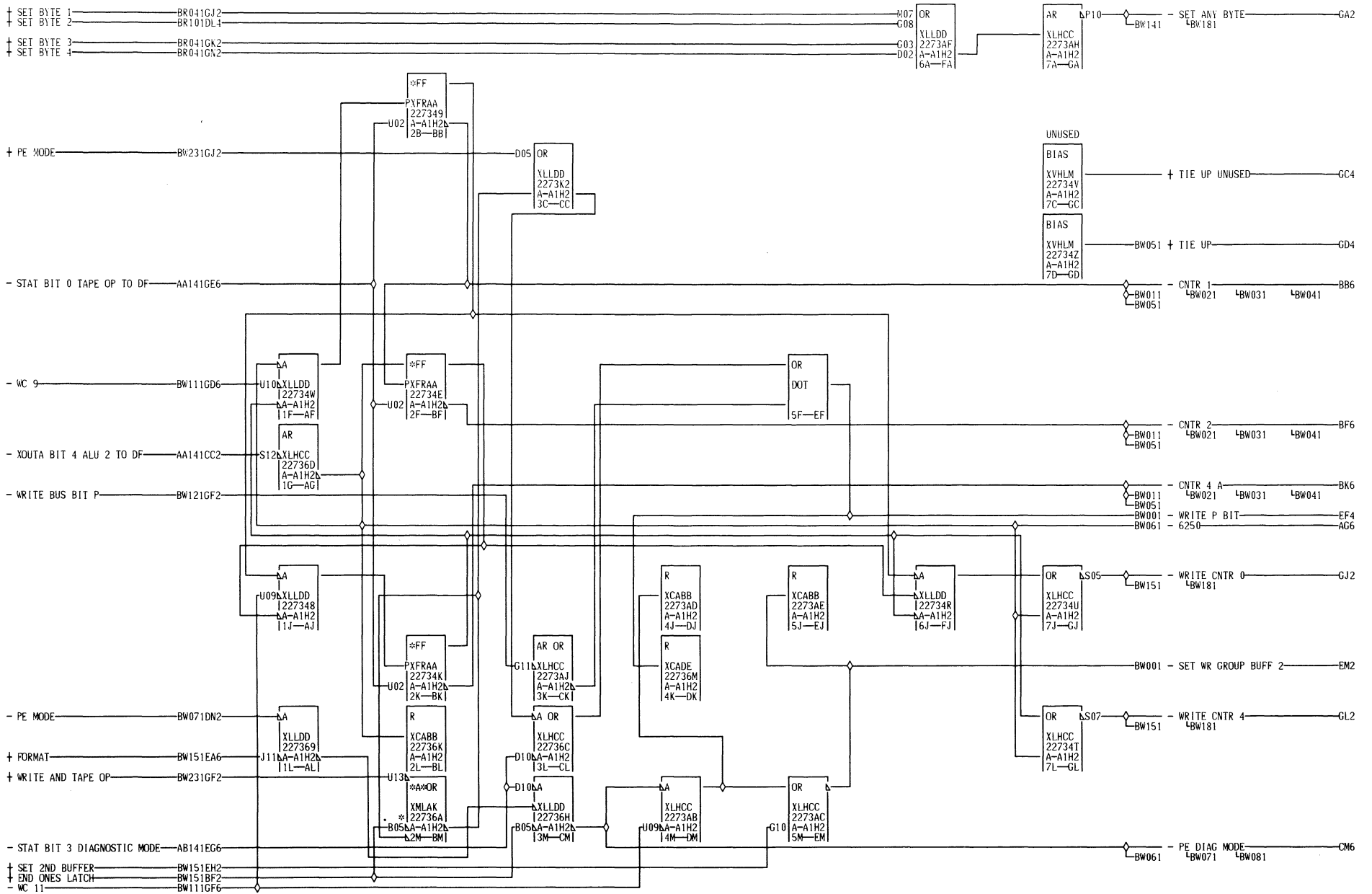
GD6 A-A1C6A04  
 01A-A2C1A13  
 GH6 A-A1C6B04  
 01A-A2C1B13  
 GM6 A-A1C6D04  
 01A-A2C1D13

07-17-73 734098

WRITE TRIGGERS 5 6 7			
DATE	08-21-81	MACH.	3803-2
LOG	0051	FRAME	01
		P.N.	2736247
IBM CORP.	CO	BLK.	GN

B  
 W  
 0  
 8  
 1  
 000

B  
 W  
 0  
 8  
 1  
 000



07-17-73 734098

B  
W  
0  
9  
1

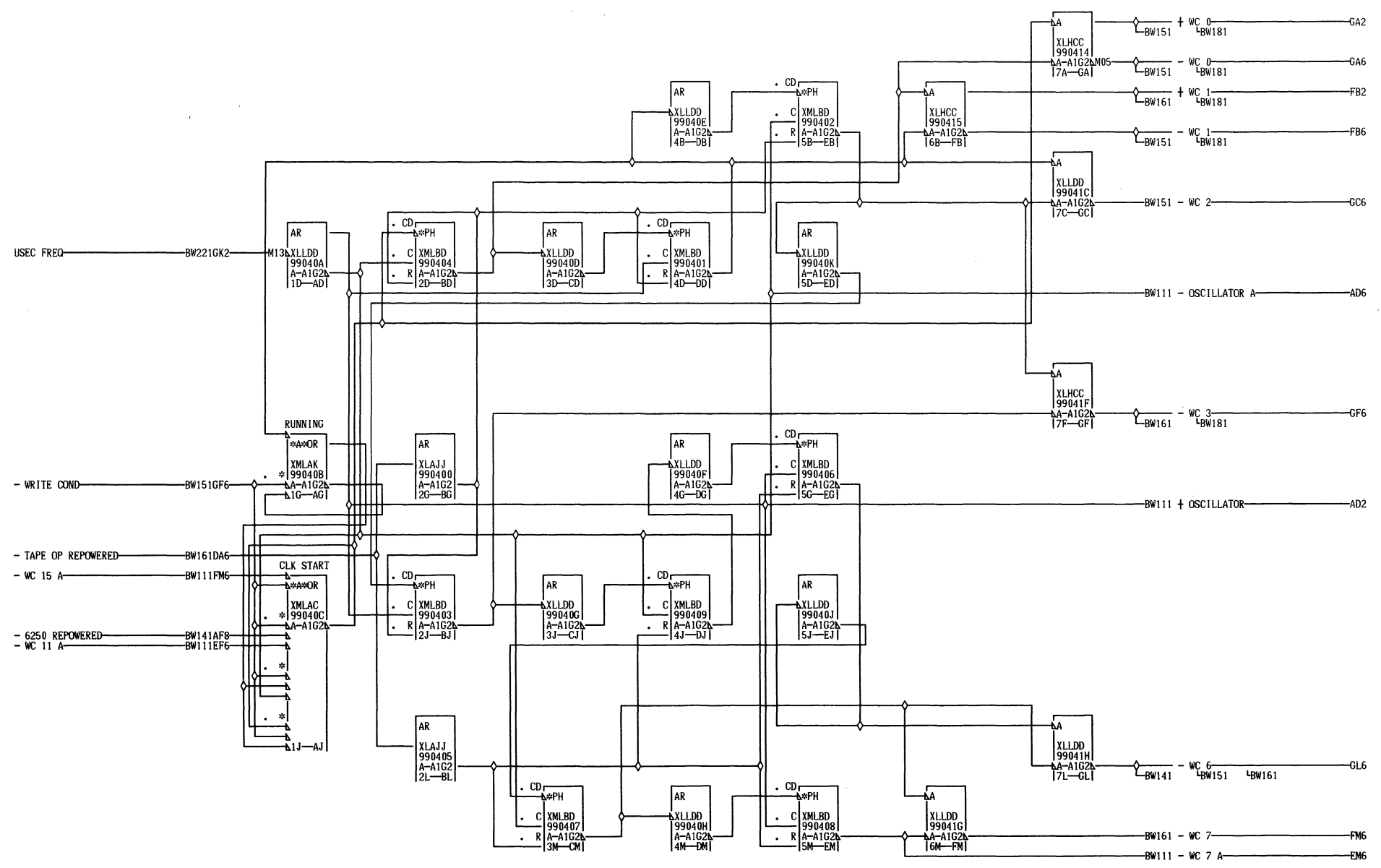
000

WRITE COUNTER			
DATE	08-21-81	MACH.	3803-2
LOG	0051	FRAME	01
		P.N.	2736248
IBM CORP.	CO	BLK.	GM

B  
W  
0  
9  
1

000



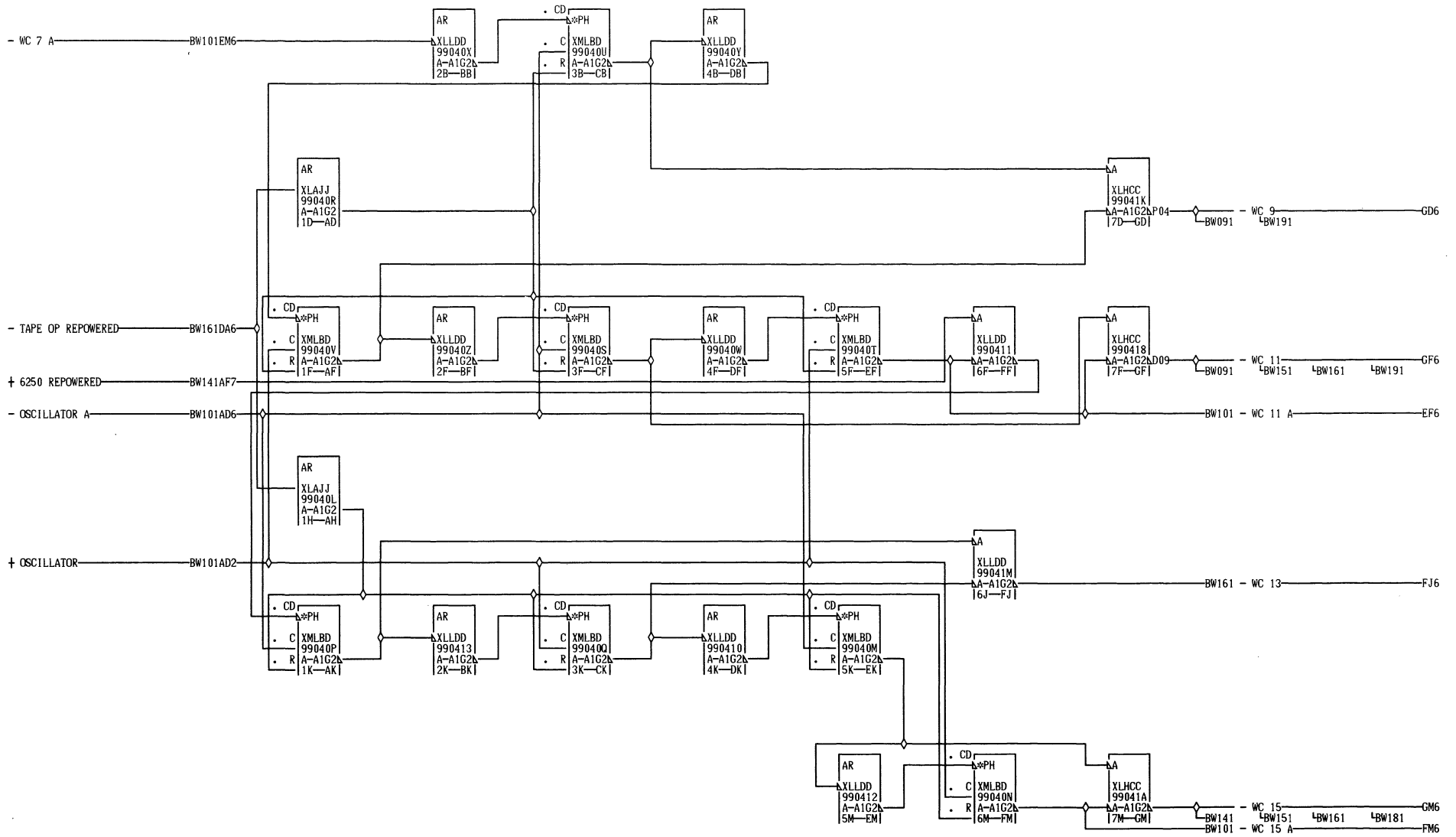


B  
W  
1  
0  
1  
000

07-17-73 734098

WRITE CLOCK			
DATE	08-21-81	MACH.	3803-2
LOG	0051	FRAME	01
		P.N.	2736249
IBM CORP.	CO	BLK.	GM

B  
W  
1  
0  
1  
000



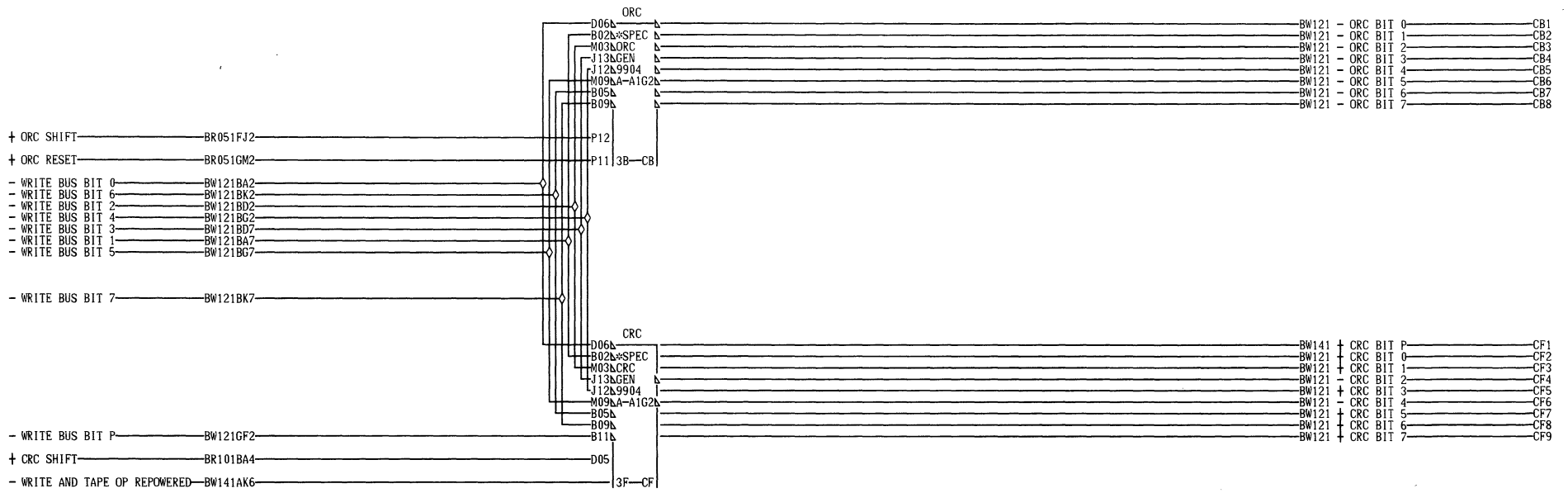
07-17-73 734098

B  
W  
1  
1  
1  
000

WRITE CLOCK			
DATE	08-21-81	MACH.	3803-2
LOG	0051	FRAME	01
		P.N.	2736250
IBM CORP.	CO	BLK.	GN

B  
W  
1  
1  
1  
000



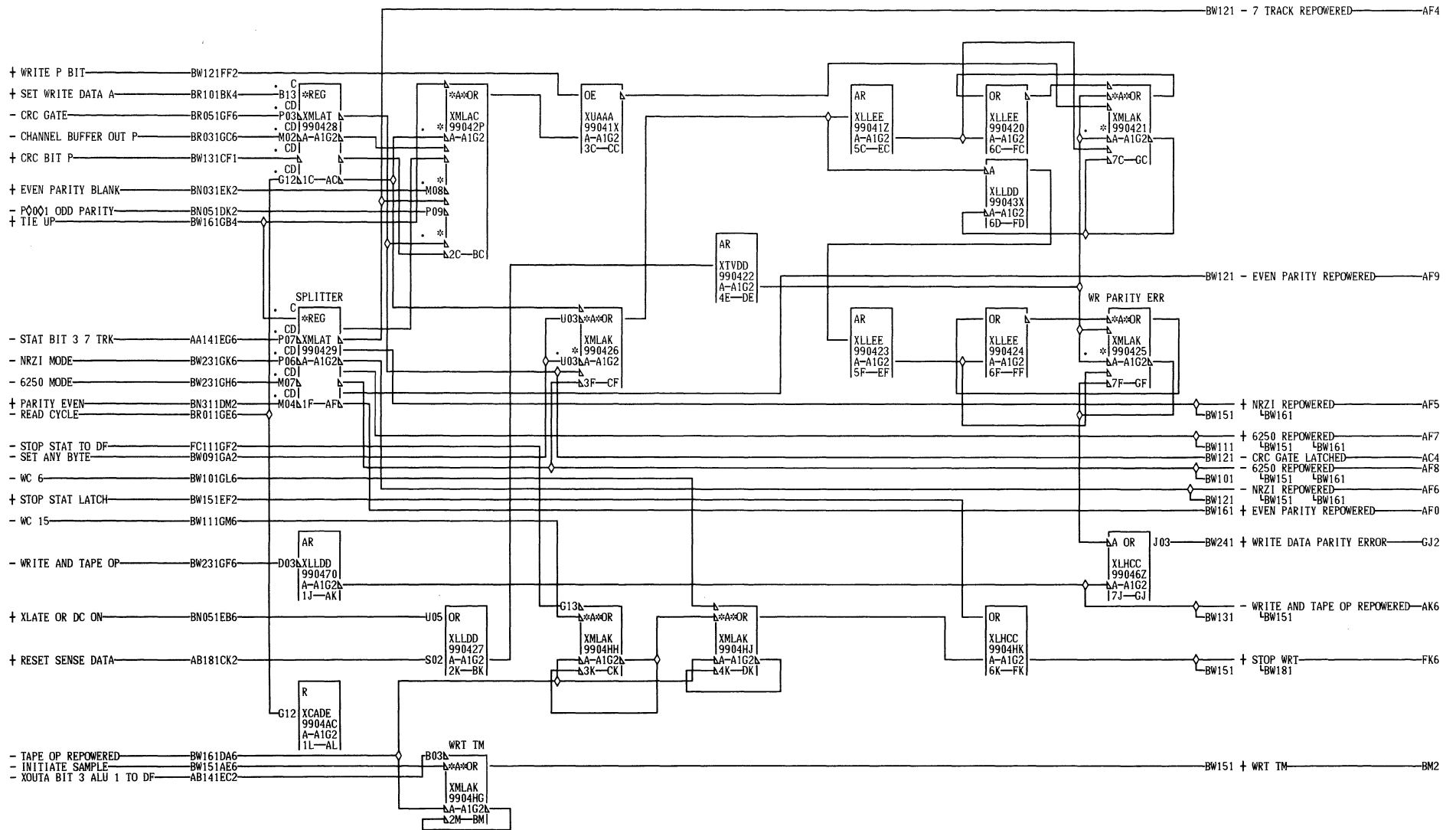


07-17-73 734098

B  
W  
1  
3  
1  
  
000

WRITE CRC AND ORC			
DATE	08-21-81	MACH.	3803-2
LOG	0051	FRAME	01
		P.N.	2736252
IBM CORP.	BLK.		GM

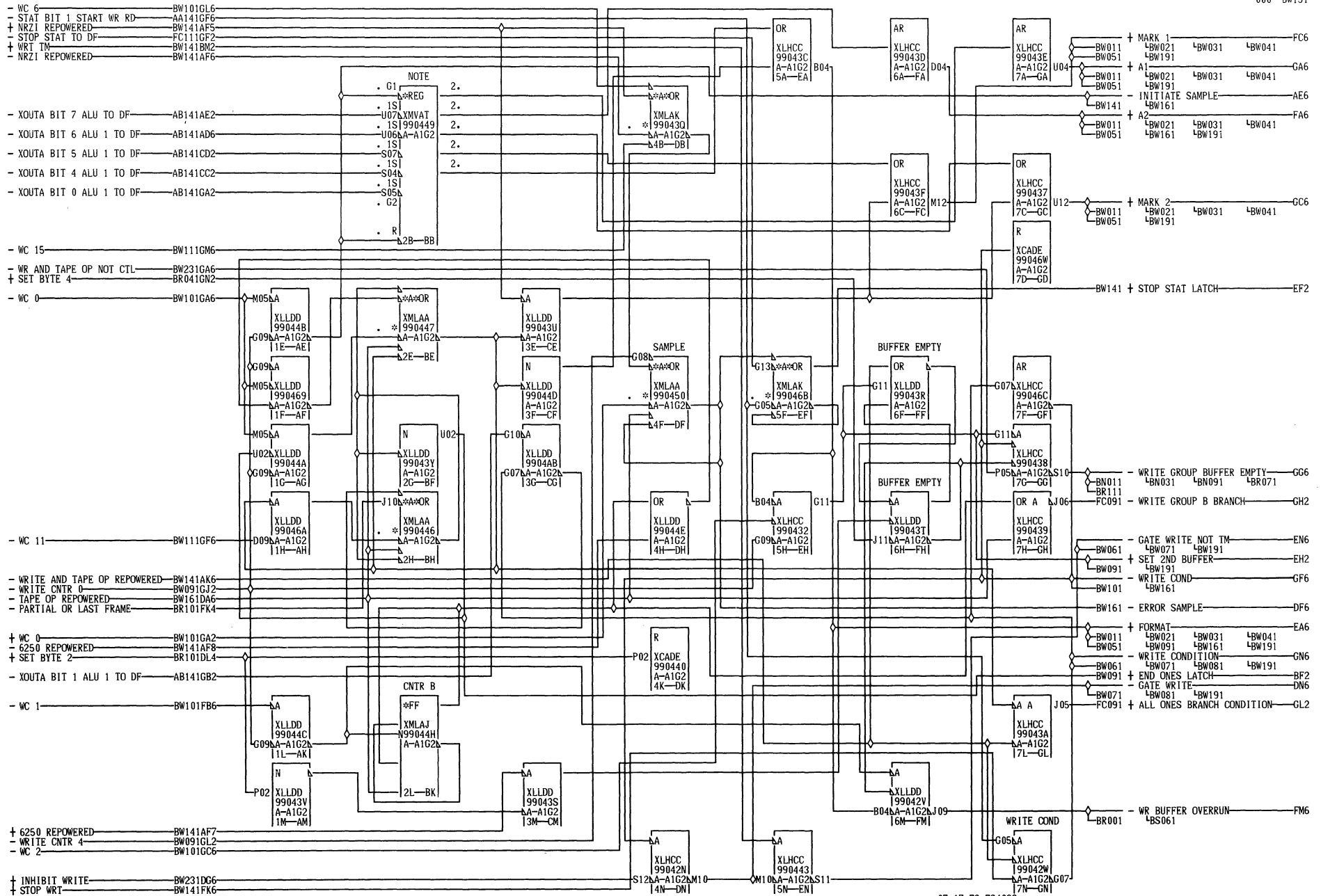
B  
W  
1  
3  
1  
  
000



07-17-73 734098

B  
W  
1  
4  
1  
000

WRITE DATA PARITY ERROR			
DATE	08-21-81	MACH. 3803-2	B
LOG	0051	FRAME 01	W
		P.N. 2736253	1
IBM CORP.	CO BLK.	GK	000



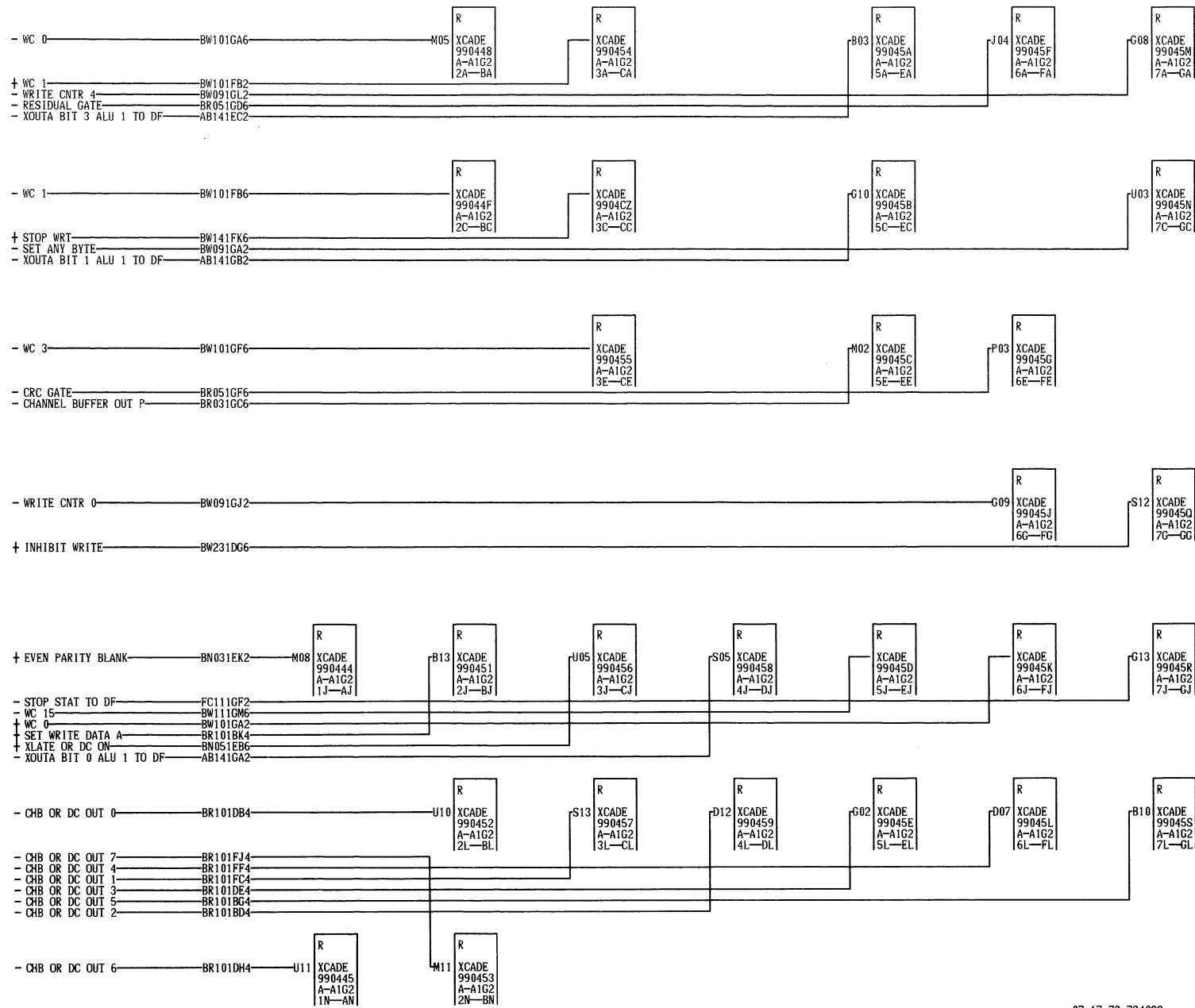
07-17-73 734098

WRITE CONTROLS			
DATE	08-21-81	MACH.	3803-2
LOG	0051	FRAME	01
		P.N.	2736254
IBM CORP.	CO	BLK.	GP

B  
W  
1  
5  
1  
000

B  
W  
1  
5  
1  
000





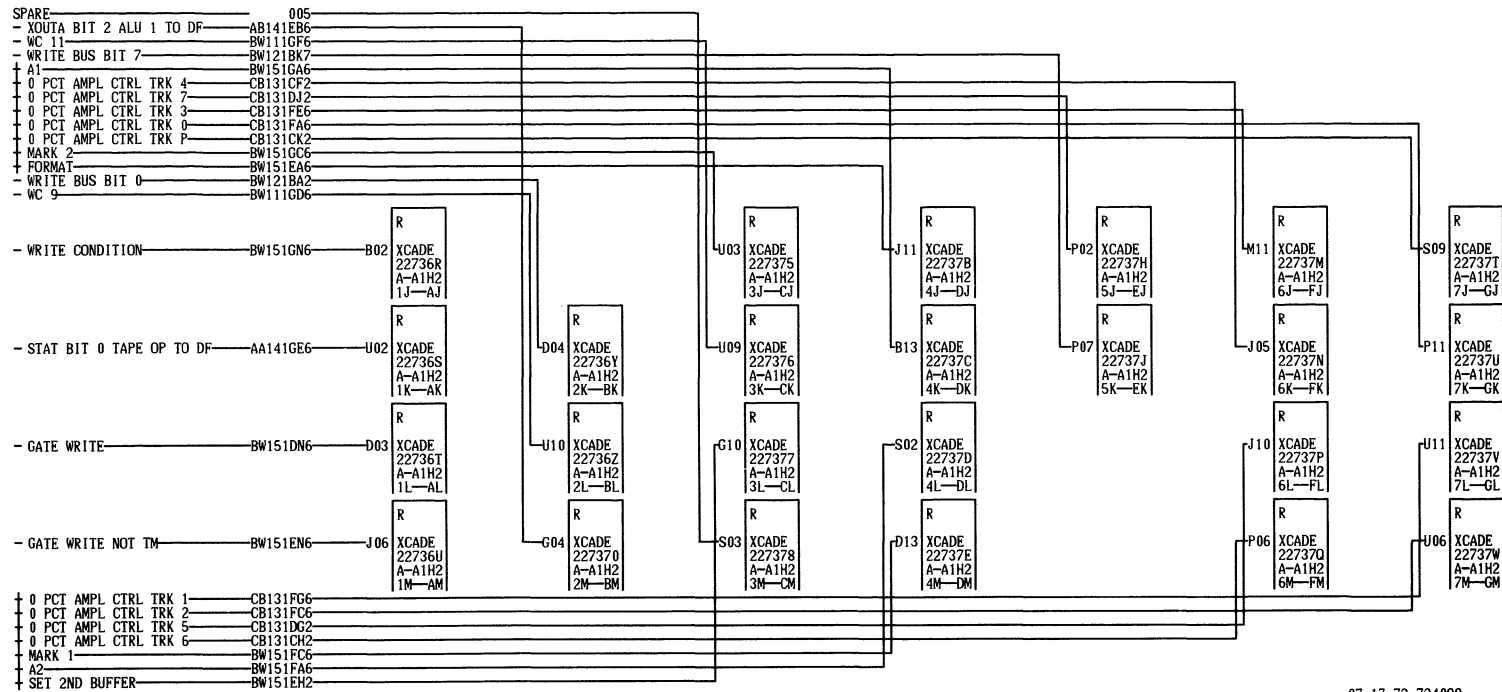
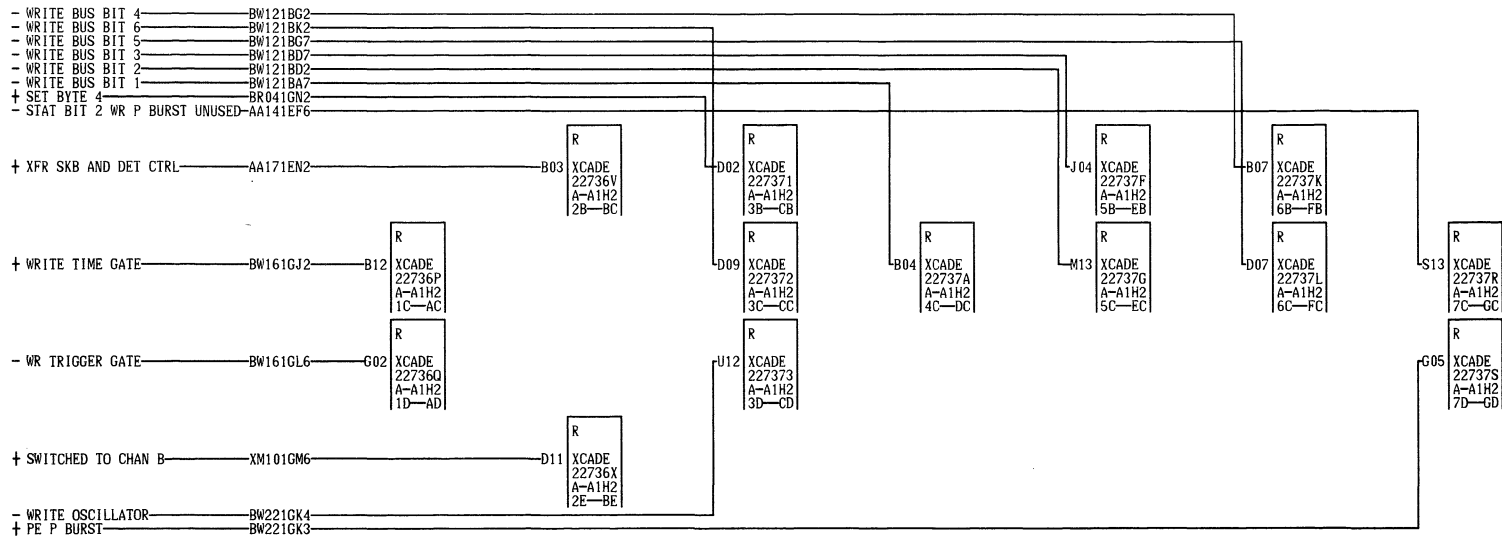
07-17-73 734098

B  
W  
1  
8  
1  
000

RESISTOR PAGE			
DATE	08-21-81	MACH.	3803-2
LOG	0051	FRAME	01
		P.N.	2736256
IBM CORP.	CO	BLK.	GM

B  
W  
1  
8  
1  
000



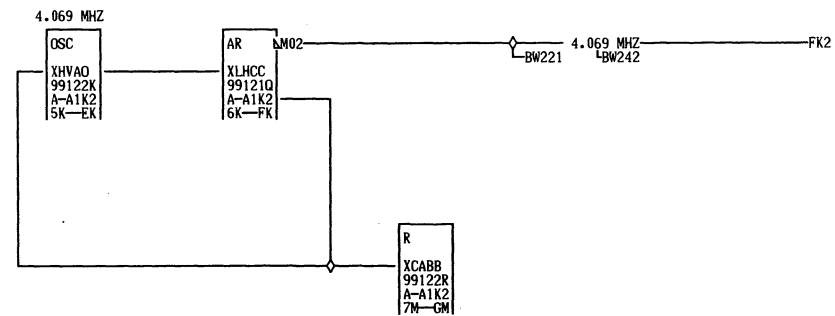
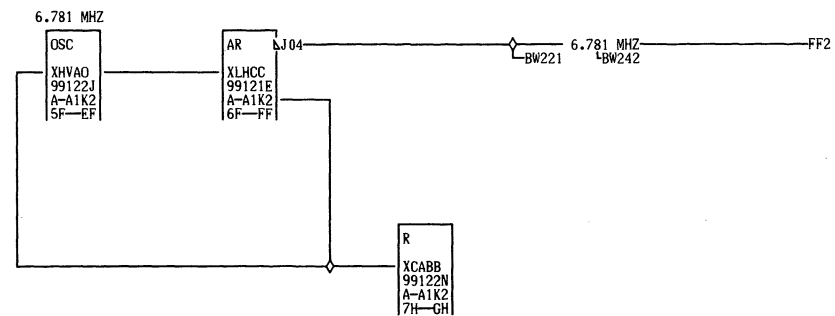
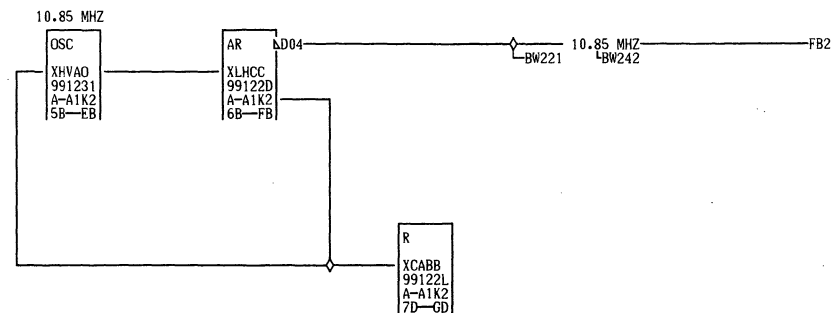


07-17-73 734098

B  
W  
1  
9  
1  
000

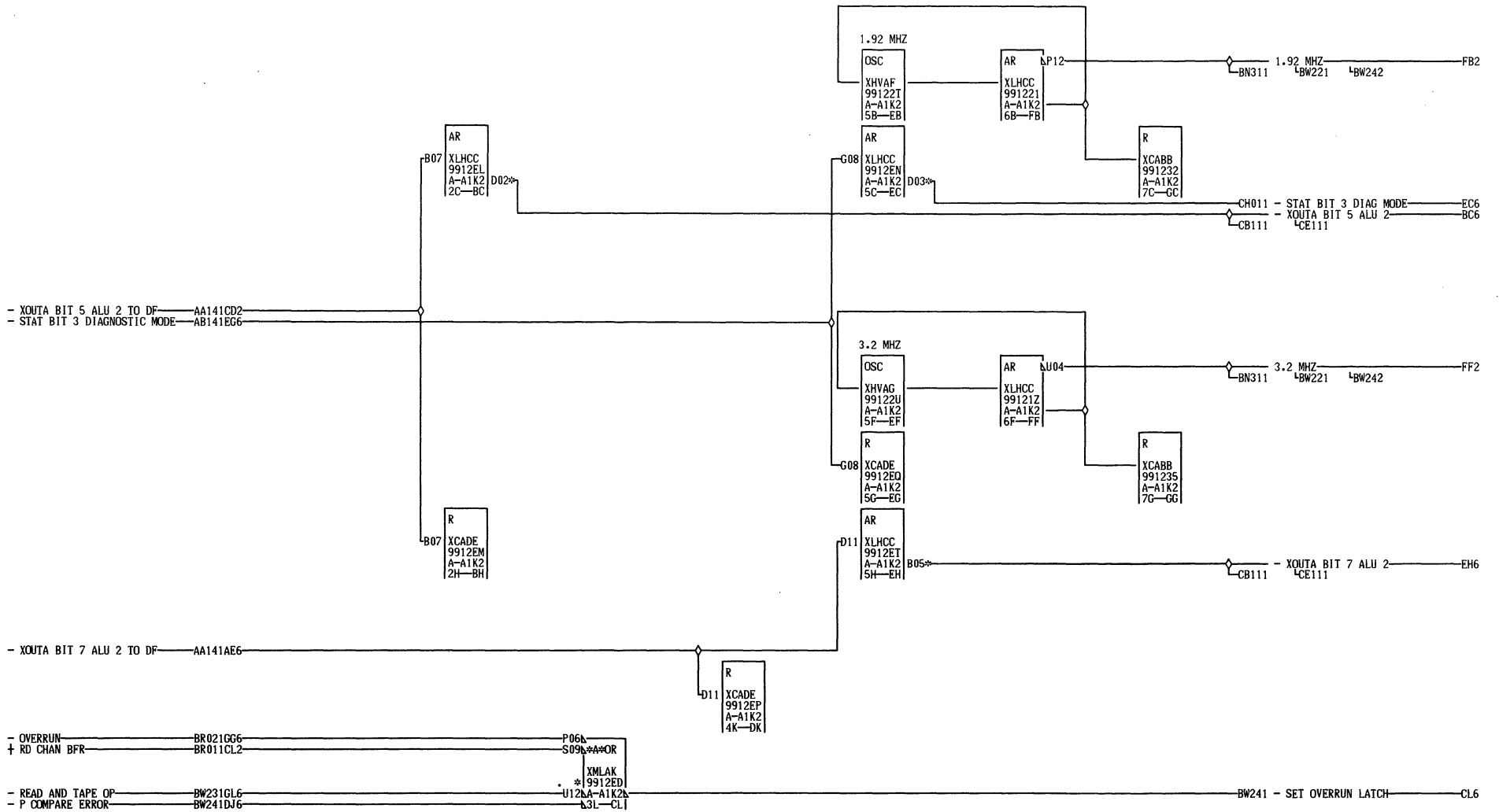
TERMINATORS			
DATE	08-21-81	MACH.	3803-2
LOG	0051	FRAME	01
		P.N.	2736257
IBM CORP.	CO	BLK.	GN

B  
W  
1  
9  
1  
000



07-17-73 734098

SPECIAL OSCILLATOR			
DATE	08-21-81	MACH.	3803-2
LOG	0051	FRAME	01
		P.N.	2736258
IBM CORP.	CO	BLK.	GN

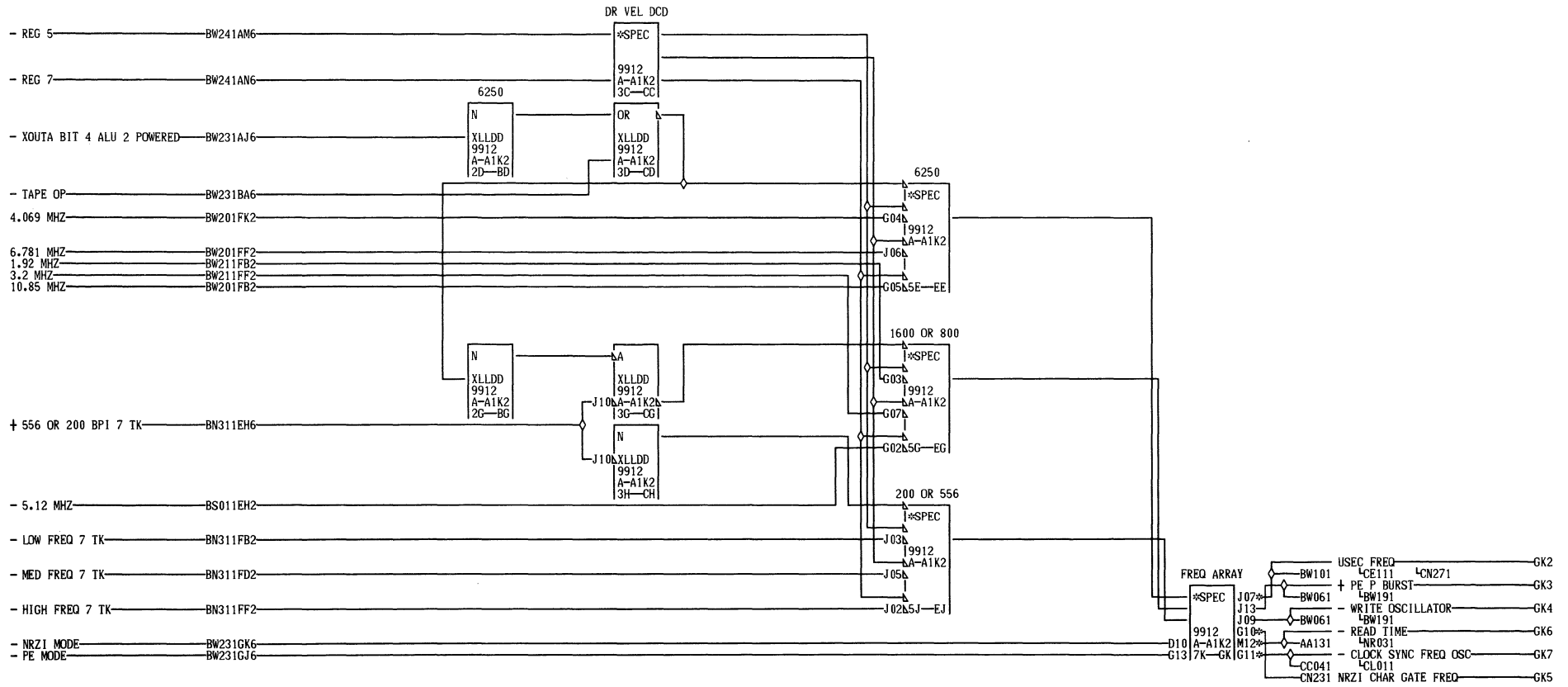


B  
W  
2  
1  
1  
000

BC6 A-A1B4D09  
01X-Y1V4D09  
EC6 A-A1B1D11  
01X-Y1U1A11  
EH6 A-A1B4D11  
01X-Y1V4D11

07-17-73 734098

XTAL OSCILLATORS			B
PE AND/OR NRZI FEATURE			W
DATE	08-21-81 MACH. 3803-2		2
LOG	0051 FRAME	01	1
P.N. 2736259			1
IBM CORP. CO BLK. GN			000



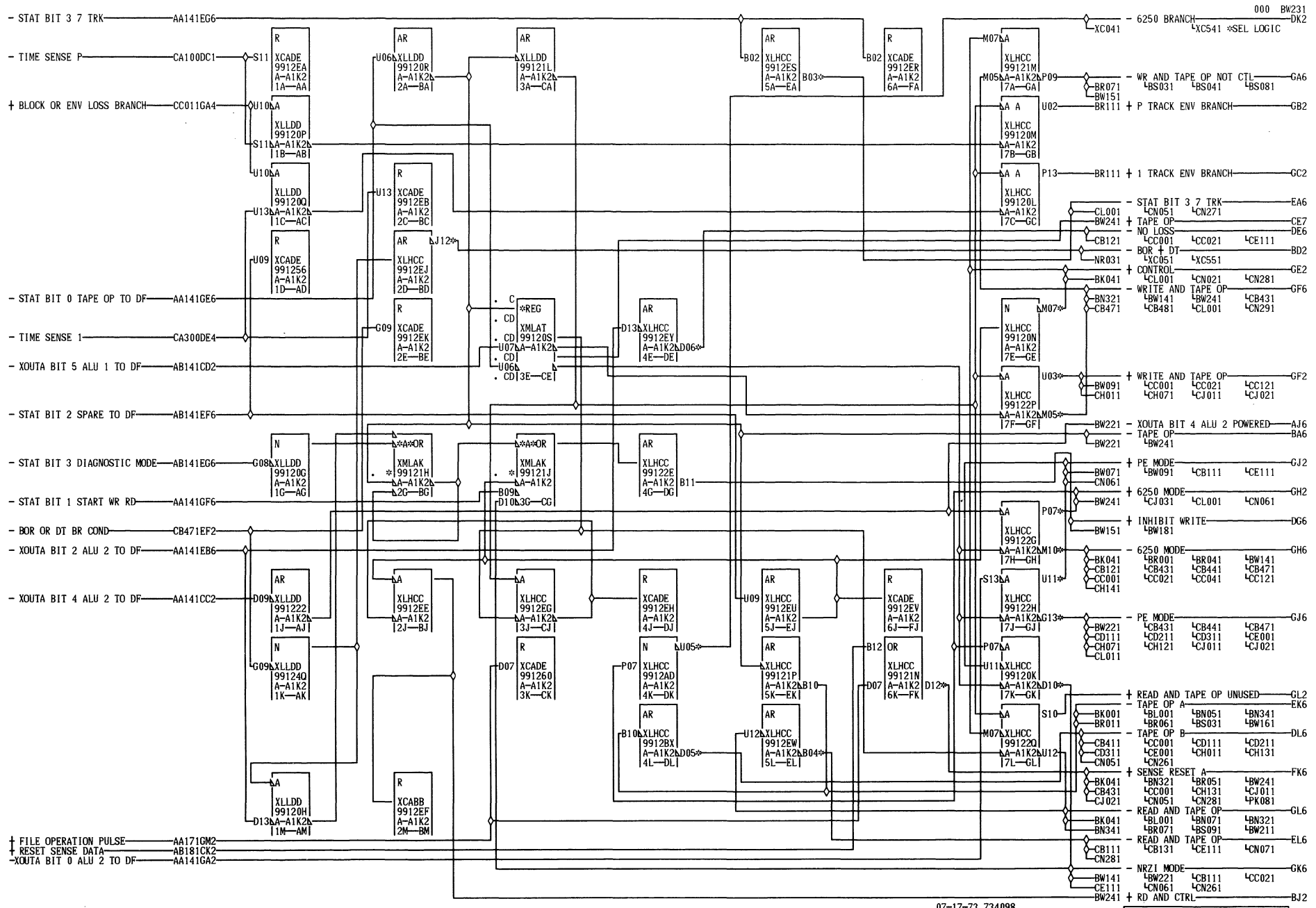
07-17-73 734098  
12-06-73 734879

B  
W  
2  
2  
1  
000

GK2 A-A1C1E13  
01X-Y1V1B13  
GK5 A-A1C1D13  
01X-Y1V1A13  
GK6 A-A1H6D02  
01A-A2H1D11  
GK7 A-A1C1A11  
01X-Y1U1C11

WRITE OSC DIVIDERS			
DATE	08-21-81	MACH.	3803-2
LOG	0045	FRAME	01
		P.N.	2736260
IBM CORP.	BLK.		GP

B  
W  
2  
2  
1  
000

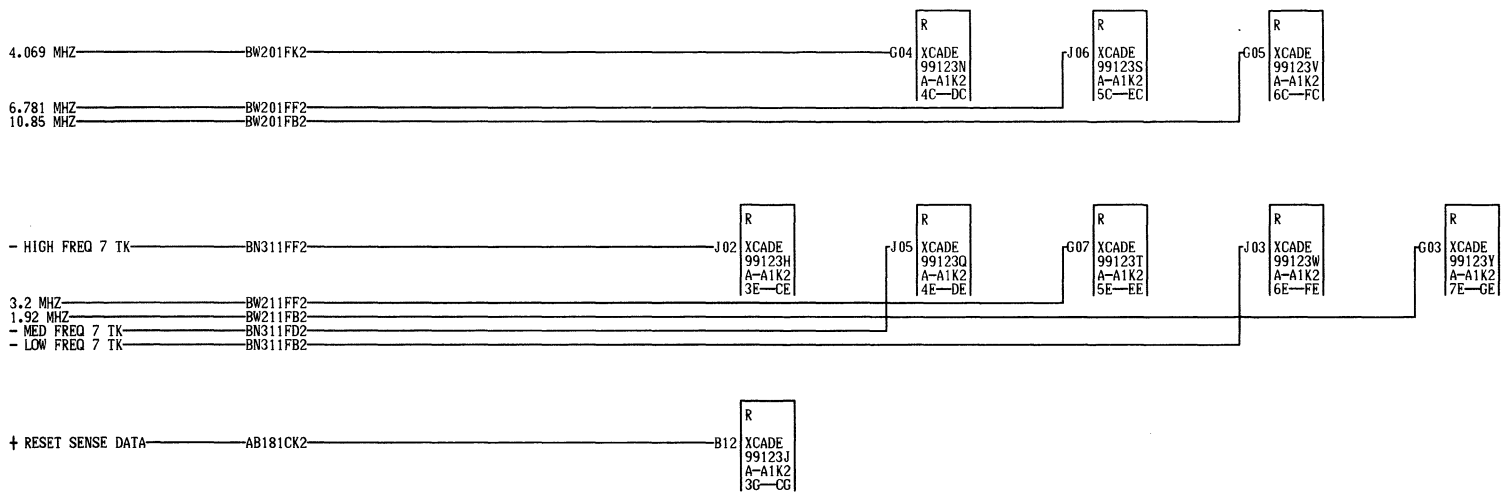


B D2 A-A1L6D04 01X-Y1U1B13 GF6 A-A1F1C13 01X-Y1U1D11  
 W 01A-A2L1D13 EL6 A-A1B4D13 01X-Y1U6D04 GK6 A-A1B4B09  
 2 DE6 A-A1B4D05 01X-Y1V4D13 GH2 A-A1B5D10 01X-Y1V4B09  
 3 01X-Y1V4D05 FK6 A-A1B5D11 01X-Y1V5D10  
 1 DK2 A-A1A4B10 01X-Y1V5D11 GH6 A-A1C1E11  
 01A-A2A2B10 CE2 A-A1B4B13 01X-Y1V1B11  
 DL6 A-A1B5D13 01X-Y1V4B13 GJ2 A-A1B4B08  
 000 01X-Y1V5D13 GF2 A-A1B4B10 01X-Y1V4B08  
 EA6 A-A1B1E13 01X-Y1V4B10 GJ6 A-A1C1B11

07-17-73 734098  
 03-18-74 736699  
 02-22-79 846276

COMMAND HOLD REGISTER FUNCTION DECODE			B
DATE	08-21-81	MACH. 3803-2	2
LOG	1836	FRAME 01	3
		P.N. 2736261	1
			000
IBM CORP.	CO	BLK.	GM





07-17-73 734098

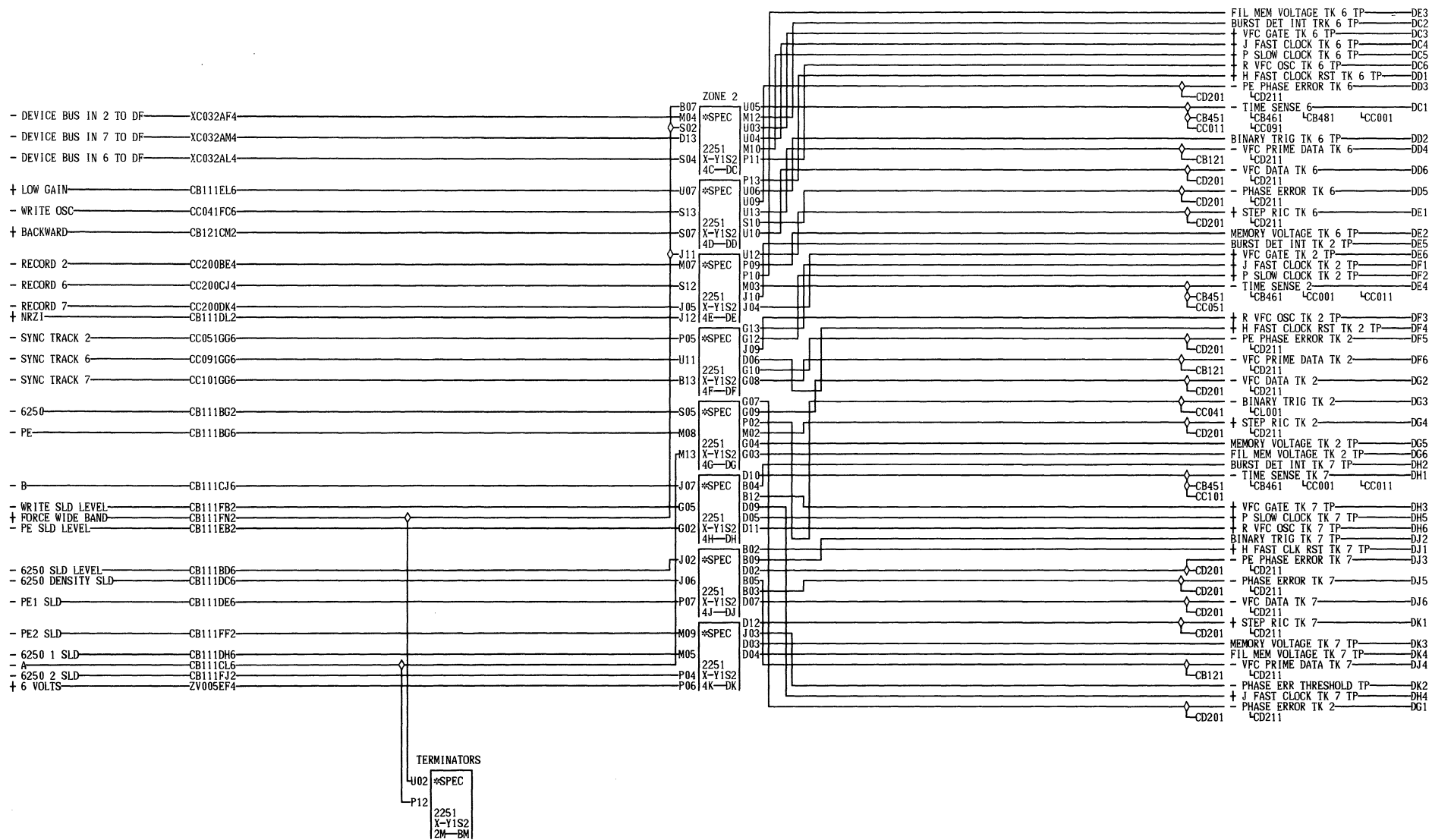
B  
W  
2  
4  
2  
000

ENTER PAGE 2			
DATE	08-21-81	MACH.	3803-2
LOG	0051	FRAME	01
		P.N.	2736263
IBM CORP.	CO	BLK.	GF

B  
W  
2  
4  
2  
000

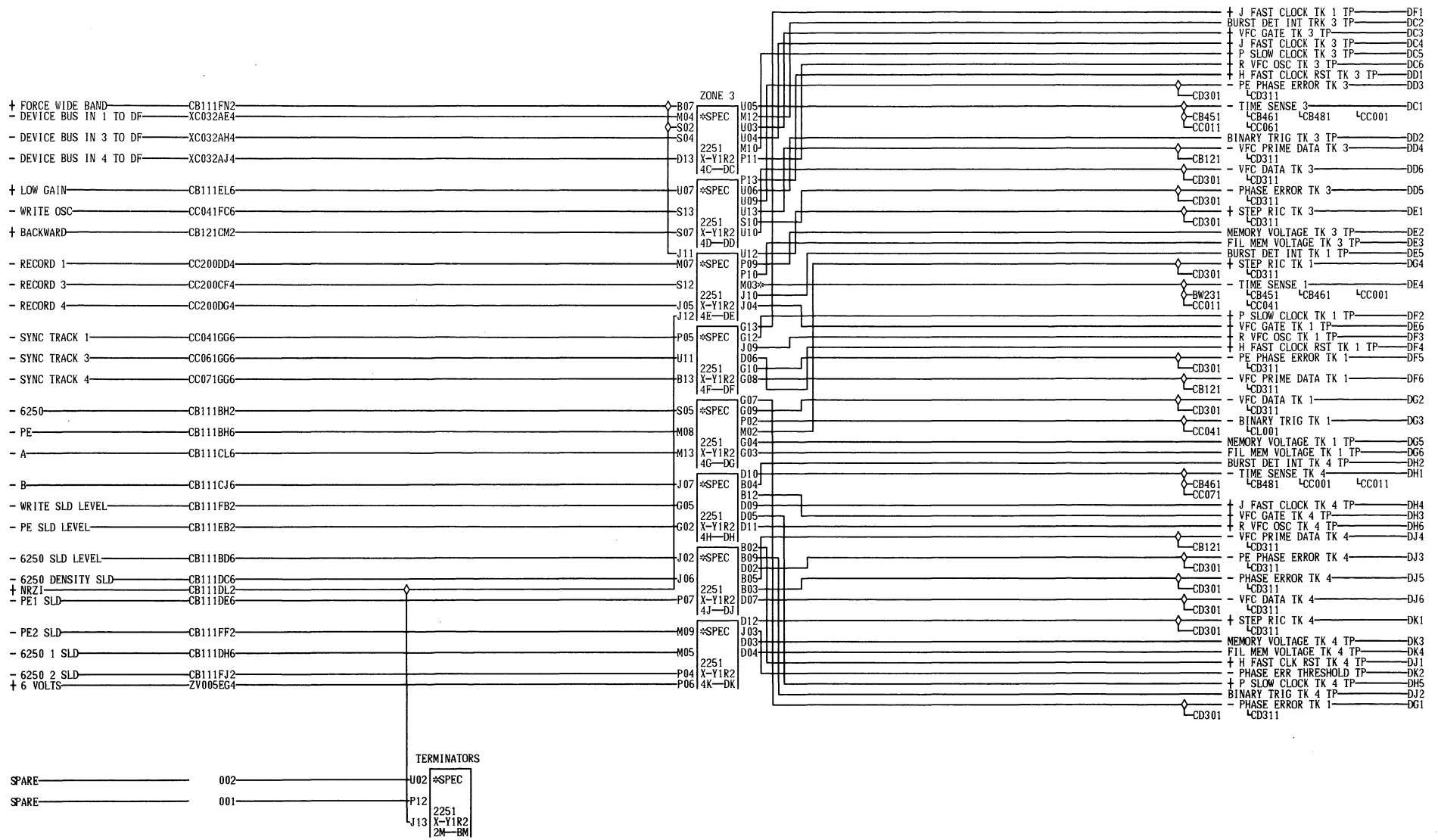






07-17-73 734098  
03-18-74 736699  
02-09-79 846276

VFC AND DETECTOR ZONE 2		
TRACKS 2 6 7		
DATE	08-21-81	MACH. 3803-2
LOG	9805	FRAME 01
		P.N. 2736265
IBM CORP.	BLK.	DL



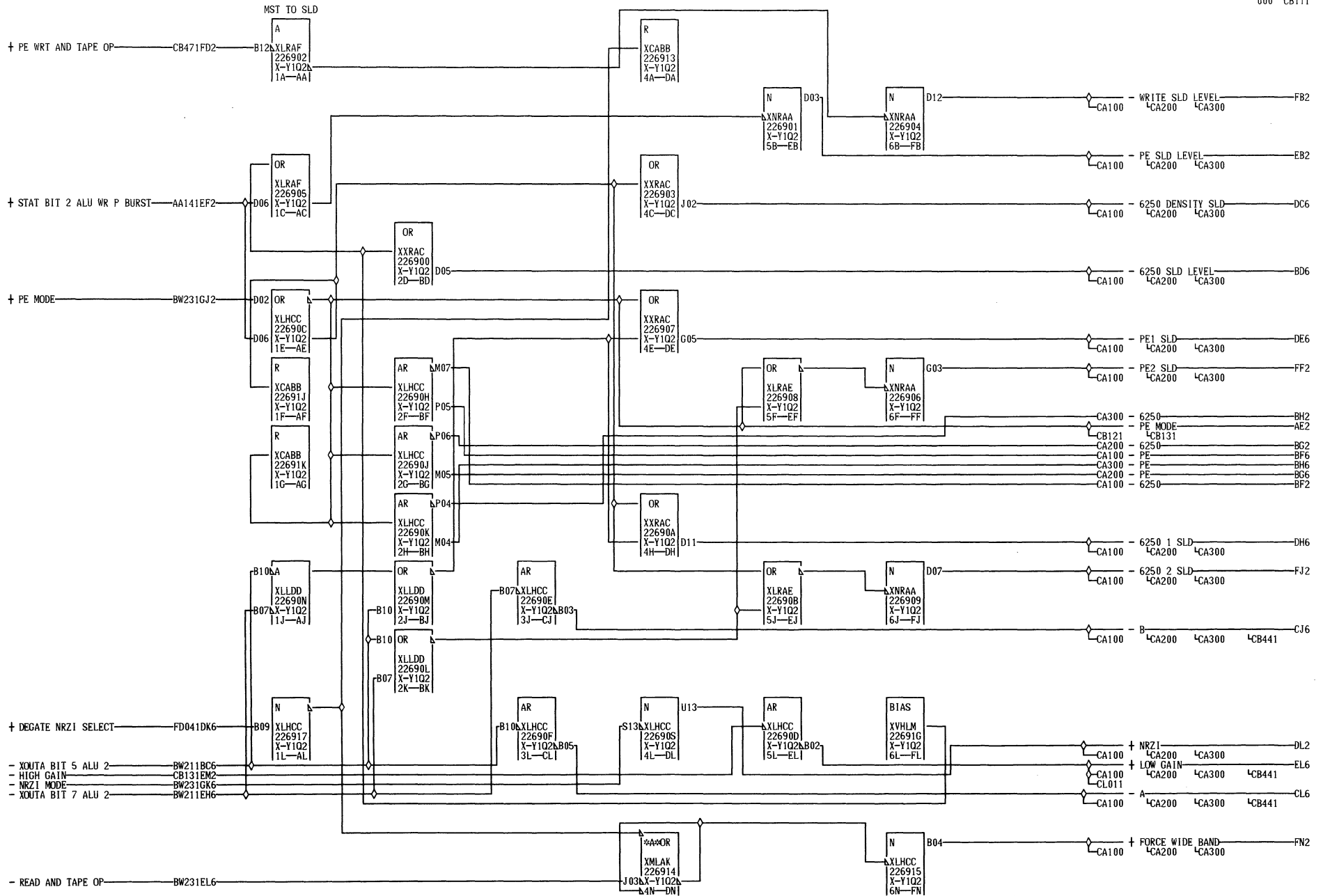
C  
A  
3  
0  
0

DE4 X-Y1T6C04  
01A-A1E1B13

07-17-73 734098  
03-18-74 736699  
02-09-79 846276

VFC AND DETECTOR ZONE 3		
TRACKS 3 1 4		
DATE	08-21-81	MACH. 3803-2
LOG	9805 FRAME	01
	P.N.	2736266
IBM CORP.	BLK.	DL

C  
A  
3  
0  
0

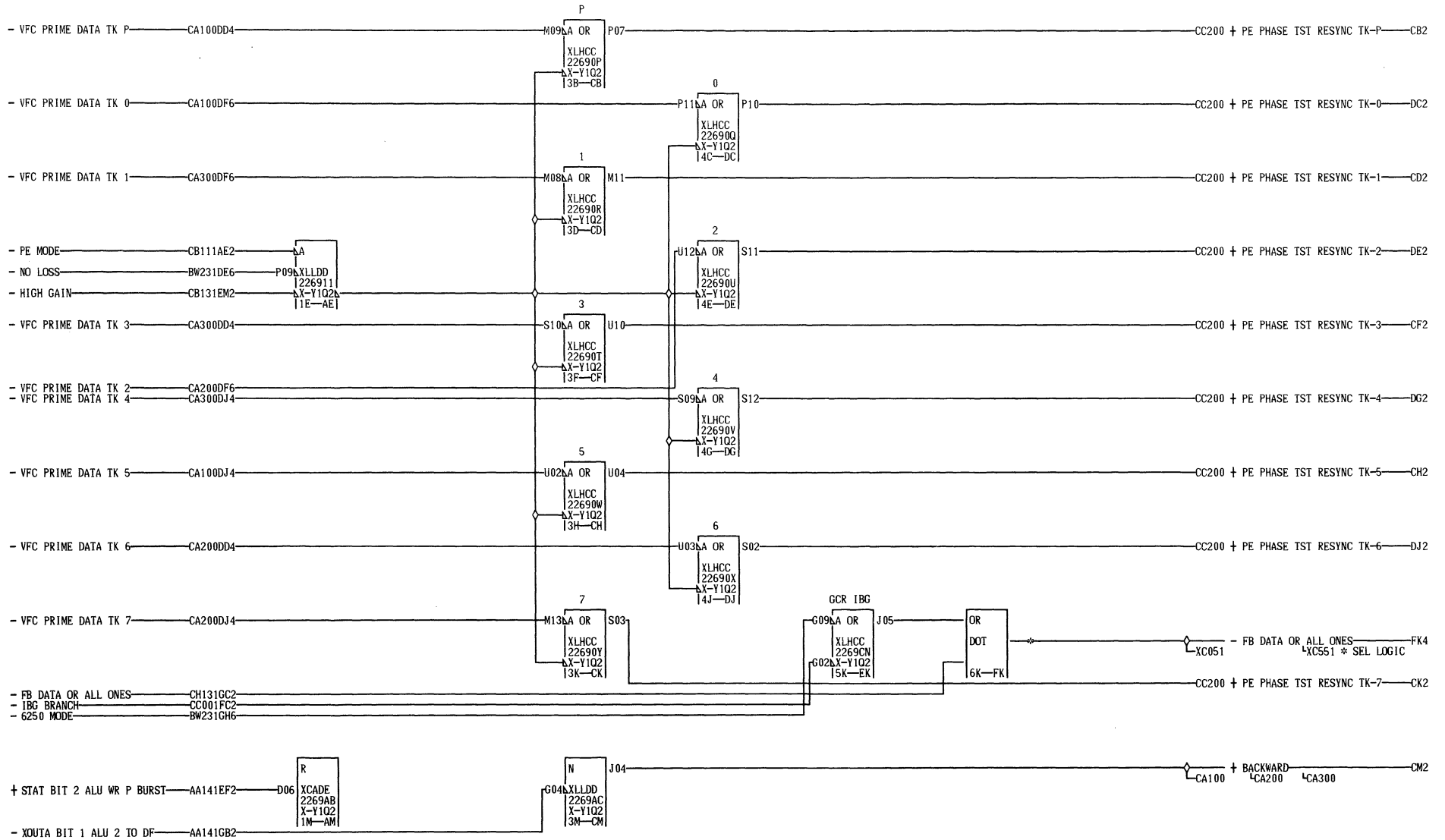


C  
B  
1  
1  
1  
000

07-17-73 734098  
03-18-74 736699  
02-09-79 846276

READ TECH CONVERSION			
DATE	08-21-81	MACH.	3803-2
LOG	9805	FRAME	01
		P.N.	2736267
IBM CORP.	CD	BLK.	GK

C  
B  
1  
1  
1  
000



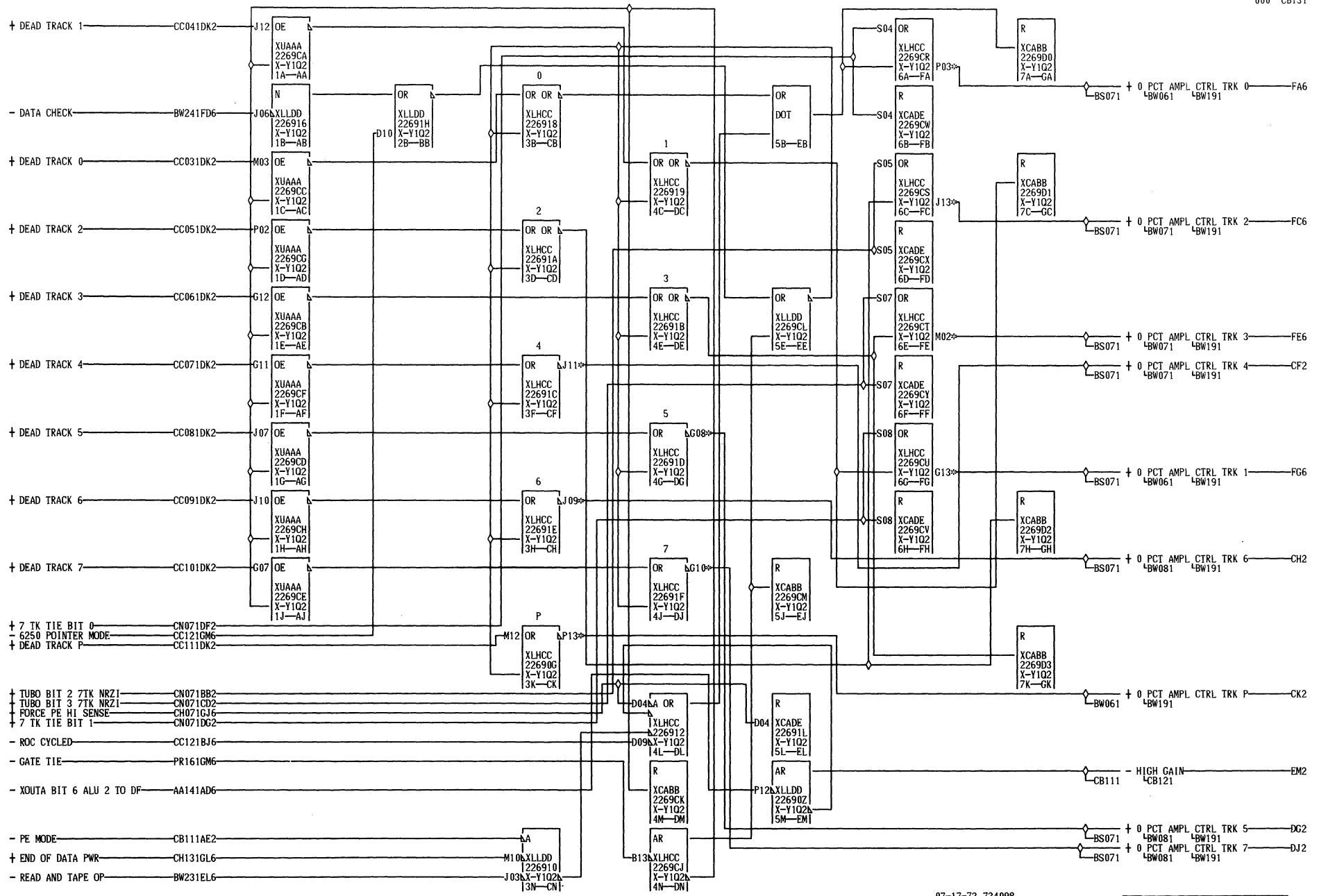
C  
B  
1  
2  
1  
000

FK4 X-Y1V2D09  
01A-A1A2D09  
01A-A1F6C02  
01A-A2F1C11

07-17-73 734098

PE BLOCK RECORD CONTROL			
DATE	08-21-81	MACH.	3803-2
LOG	0052	FRAME	01
		P.N.	2736268
IBM CORP.	CO	BLK.	FL

C  
B  
1  
2  
1  
000

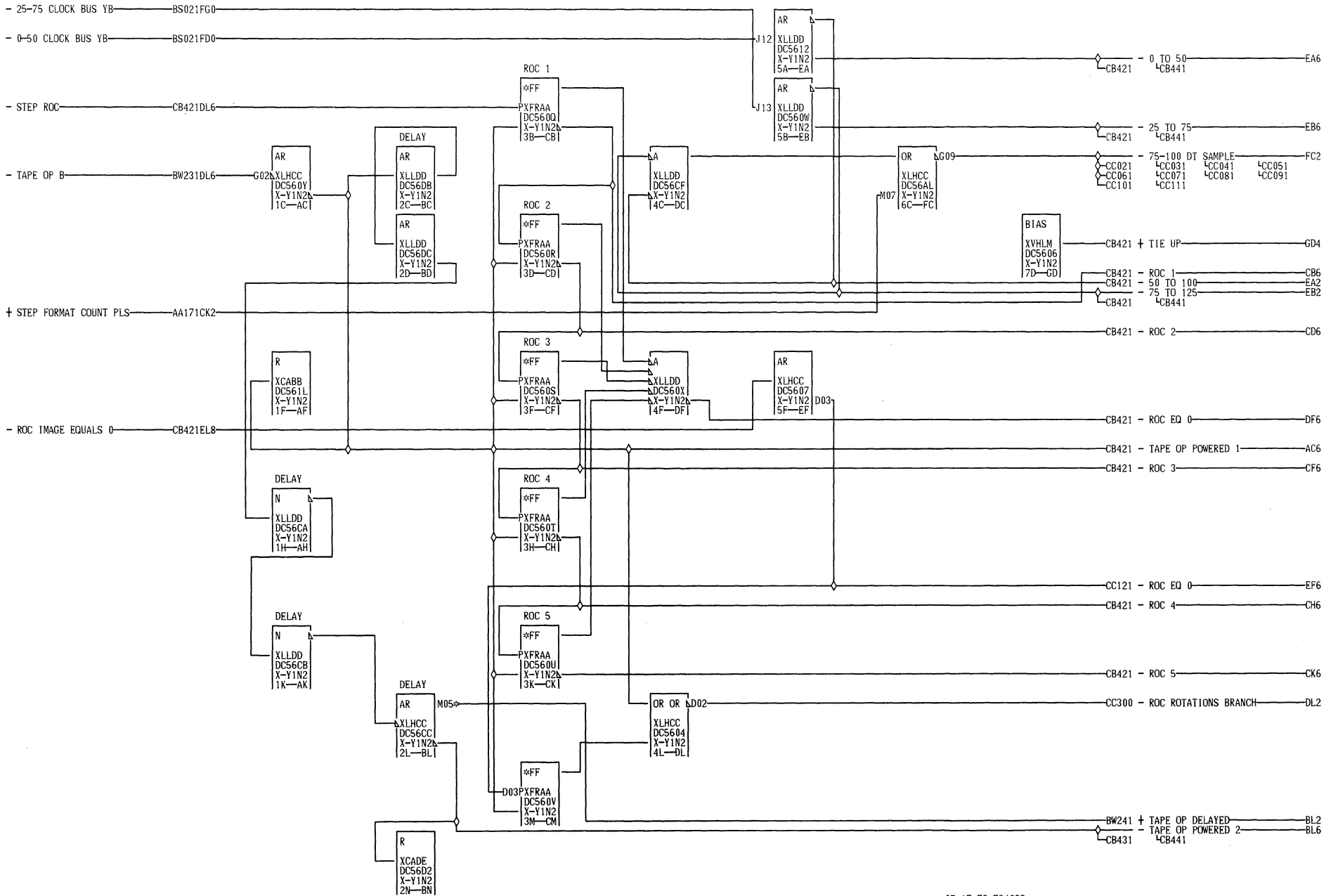


CF2 X-Y1V3B09 01A-A1V2B13  
 01A-A1V2B09 FA6 X-Y1V3B04  
 CH2 X-Y1V3B12 01A-A1V2B04  
 01A-A1V2B12 FC6 X-Y1V3B06  
 CK2 X-Y1V3B02 01A-A1V2B06  
 01A-A1V2B02 FE6 X-Y1V3B08  
 DC2 X-Y1V3B10 01A-A1V2B08  
 01A-A1V2B10 FG6 X-Y1V3B05  
 01A-A1V2B13 01A-A1V2B05

07-17-73 734098

AMP SENSE CONTROL			C
DATE	08-21-81	MACH. 3803-2	B
LOG	0051	FRAME 01	3
		P.N. 2736269	1
			000
IBM CORP.	CO	BLK.	GL

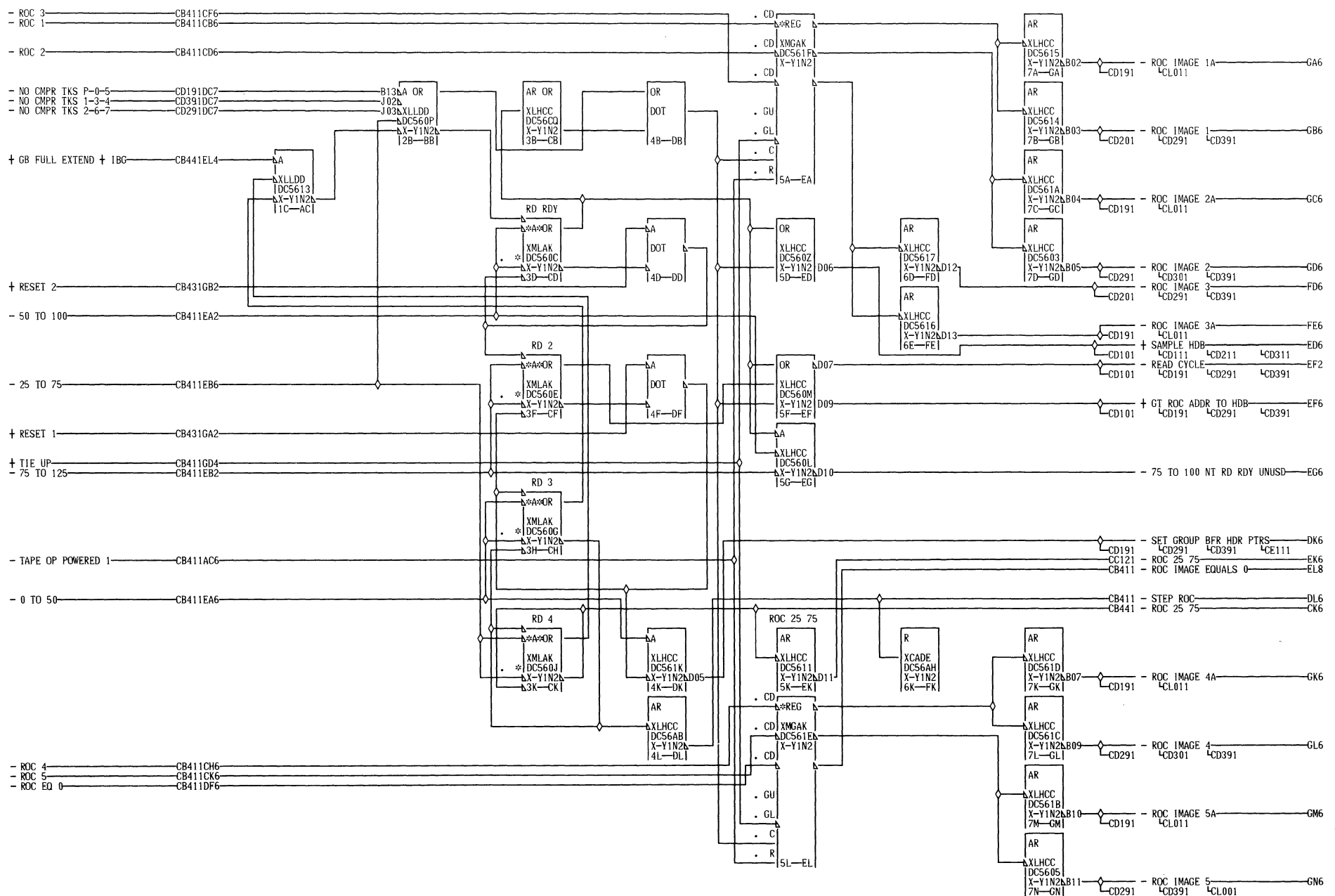
C  
 B  
 1  
 3  
 1  
 000



BL2 X-1V3D11  
01A-A1V2D11

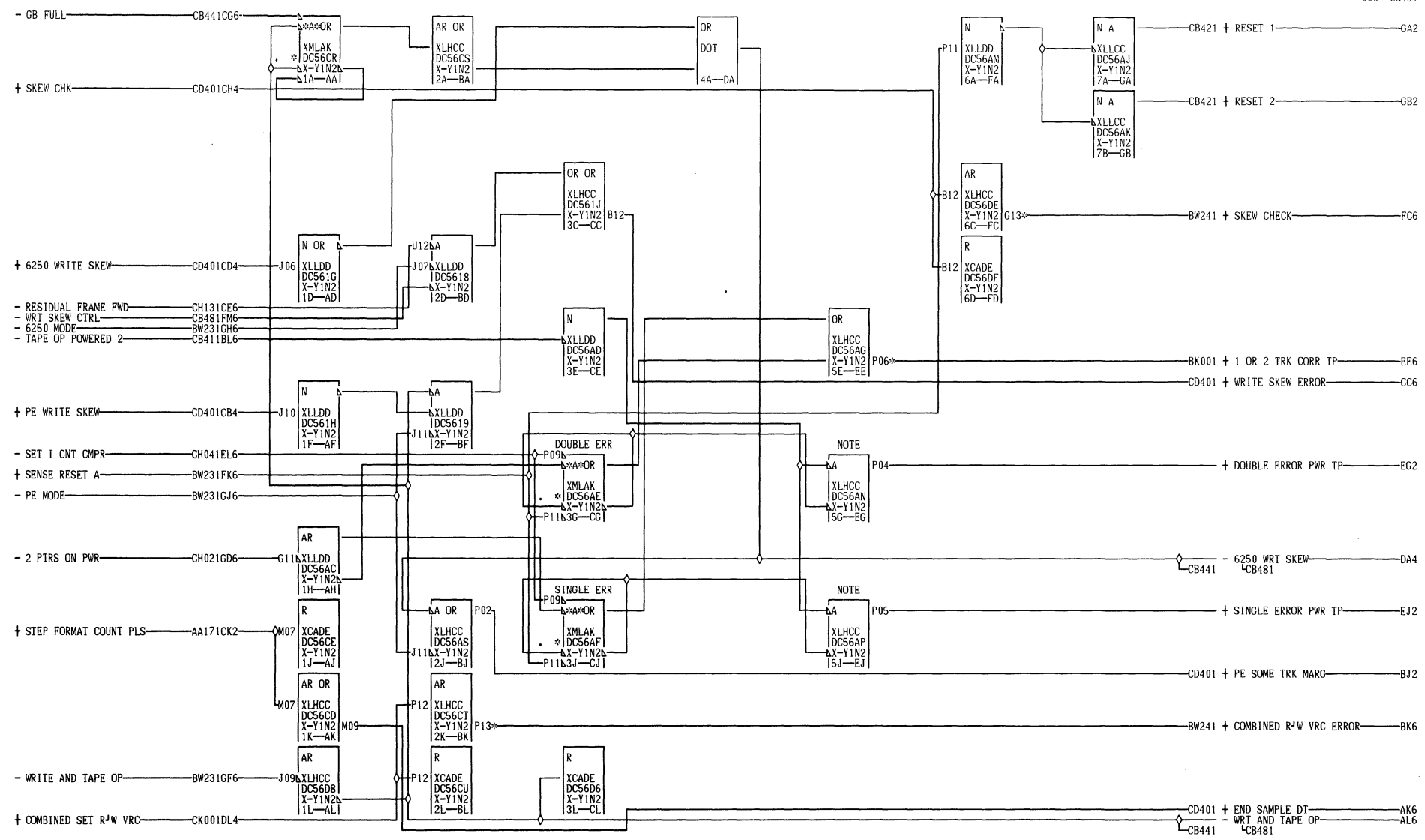
07-17-73 734098  
02-09-79 846276

ROC COUNTER			
DATE	08-21-81	MACH.	3803-2
LOG	0806	FRAME	01
		P.N.	2736270
IBM CORP.	CO	BLK.	GE



07-17-73 734098  
 02-09-79 846276

READ READY			
DATE	08-21-81	MACH.	3803-2
LOG	0806	FRAME	01
P.N.		2736271	
IBM CORP.	CO	BLK.	GP



NOTE FOR IRPT ON CORRECTABLE  
 ERROR MODE JUMPER  
 C A1G1A11-A1K2U05  
 B Y1N2P05-Y1H2U09  
 4 Y1N2P04-Y1P2M07  
 3  
 1

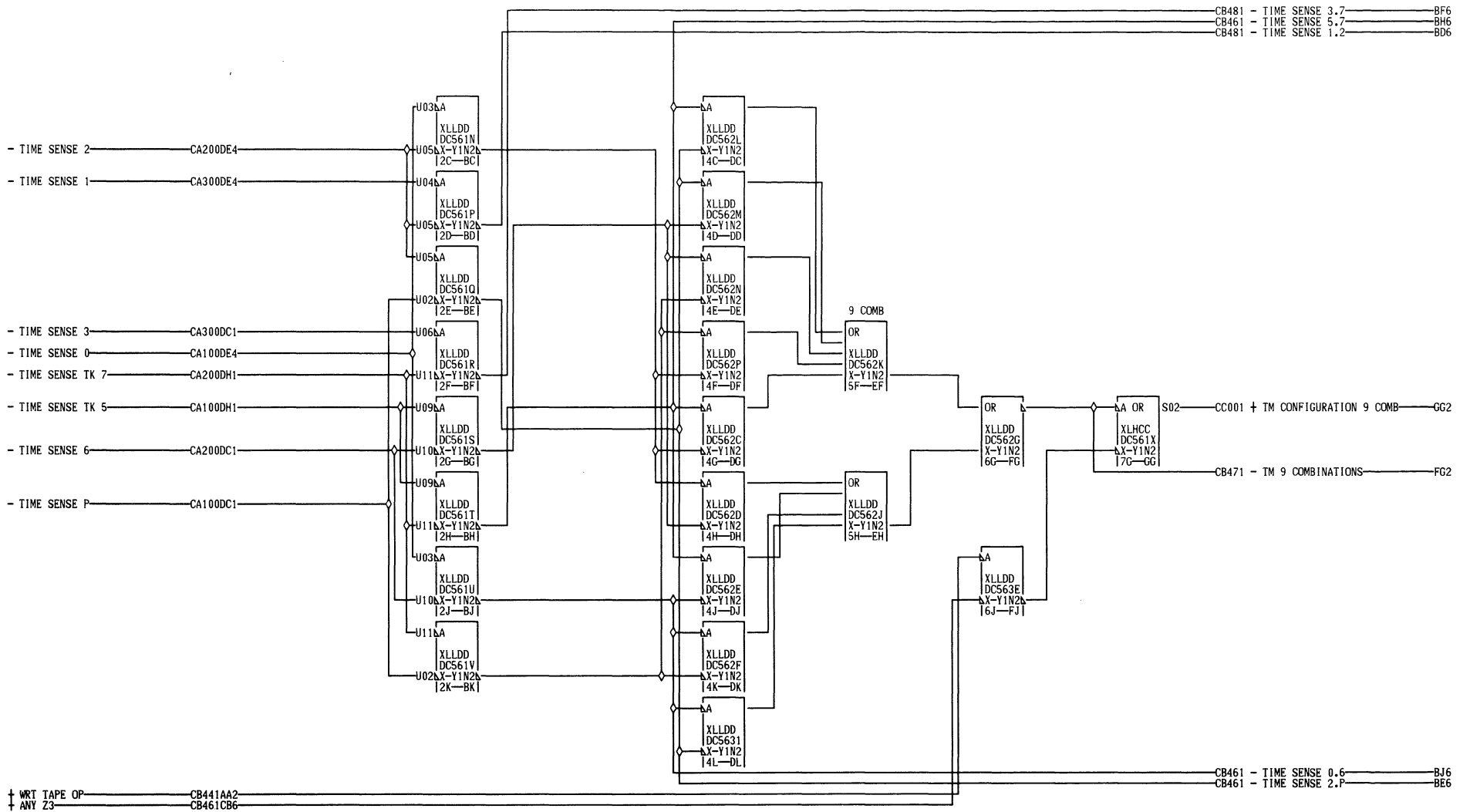
BK6 X-Y1V2D07  
 01A-A1A2D07  
 EE6 X-Y1V6B02  
 01A-A1G1A11  
 FC6 X-Y1I6E04  
 01A-A1E1D13

07-17-73 734098  
 02-22-79 846276

MERGE SKEW		
DATE	08-21-81	MACH. 3803-2
LOG	6829	FRAME 01
		P.N. 2736272
IBM CORP.	CO	BLK. GC





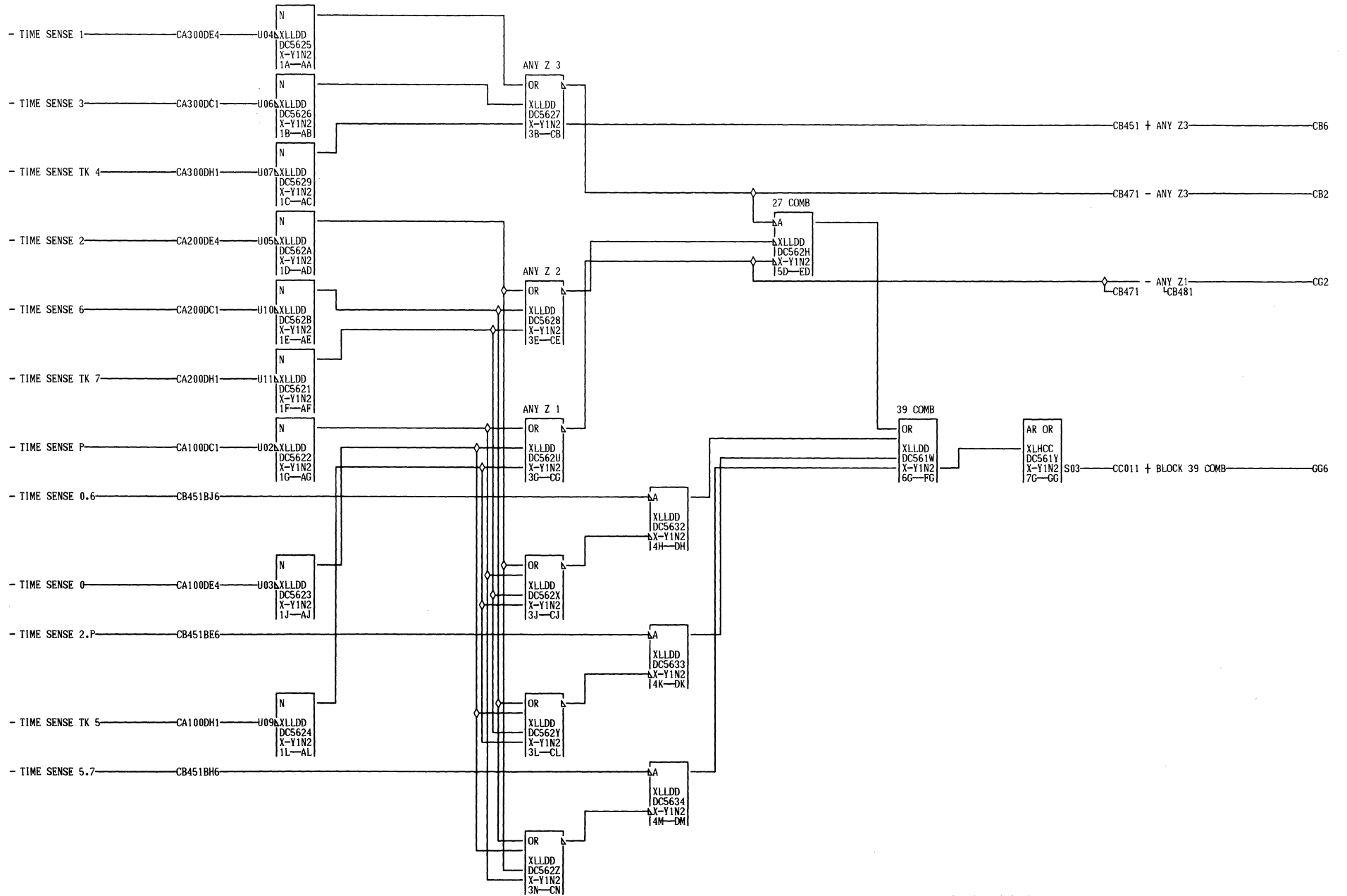


† WRT TAPE OP CB441AA2  
 † ANY Z3 CB461CB6

02-22-79 846276

CB  
4  
5  
1  
000

T M DETECTION			
DATE	08-21-81	MACH.	3803-2
LOG	1836	FRAME	01
		P.N.	4416416
IBM CORP.	BLK.		GH

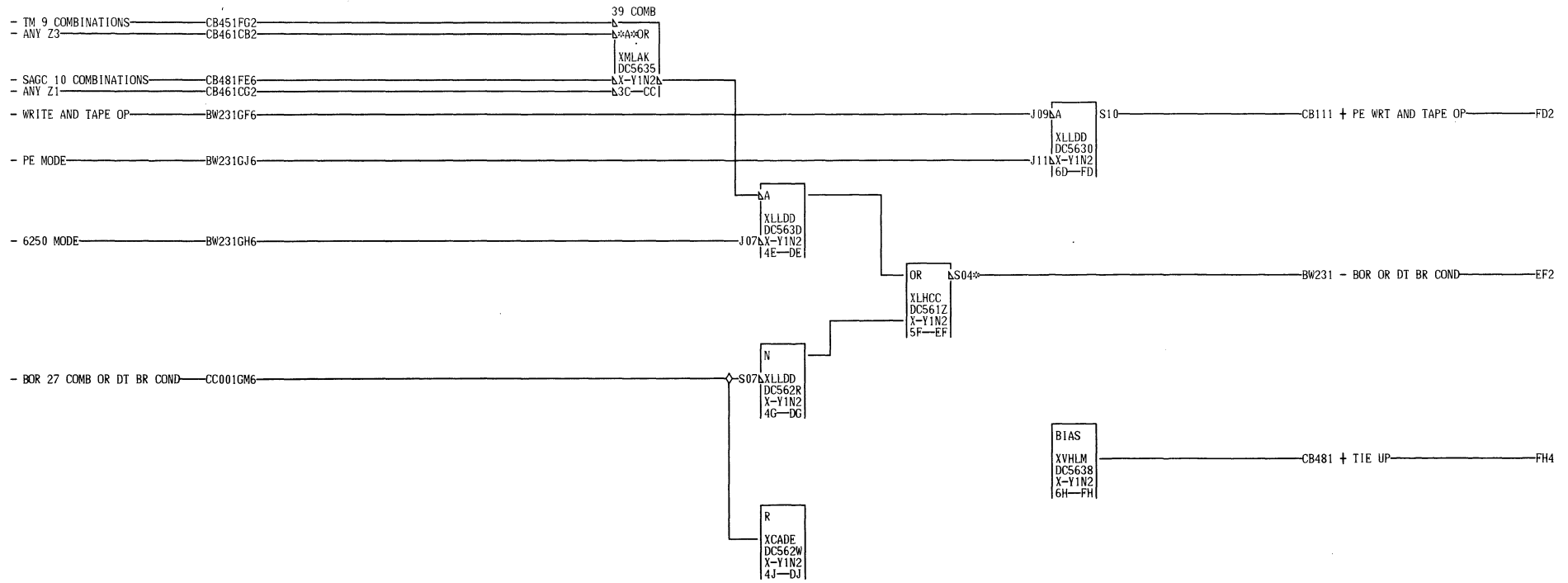


02-22-79 846276

C  
B  
4  
6  
1  
000

BLOCK DETECTION			
DATE	08-21-81 MACH. 3803-2		
LOG	1836 FRAME	01	
	P.N. 4416417		
IBM CORP.	BLK.	CH	000

C  
B  
4  
6  
1  
000



C  
B  
4  
7  
1  
000

EF2 X-Y1V2D10  
01A-A1A2D10

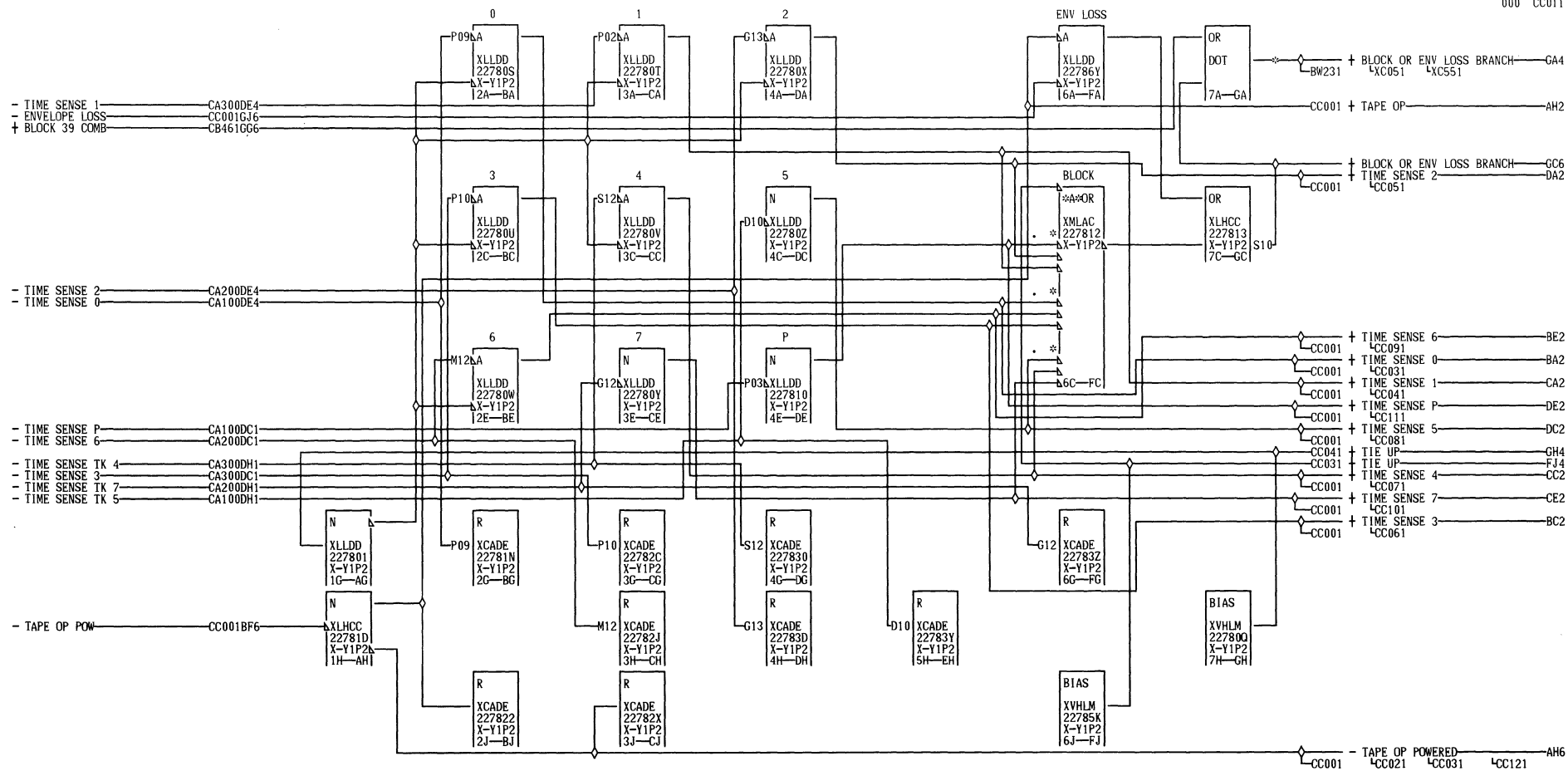
02-22-79 846276

BEGINNING OF RECORD DETECTION			
DATE	08-21-81	MACH.	3803-2
LOG	1836	FRAME	01
		P.N.	4416418
IBM CORP.	BLK.		FJ

C  
B  
4  
7  
1  
000







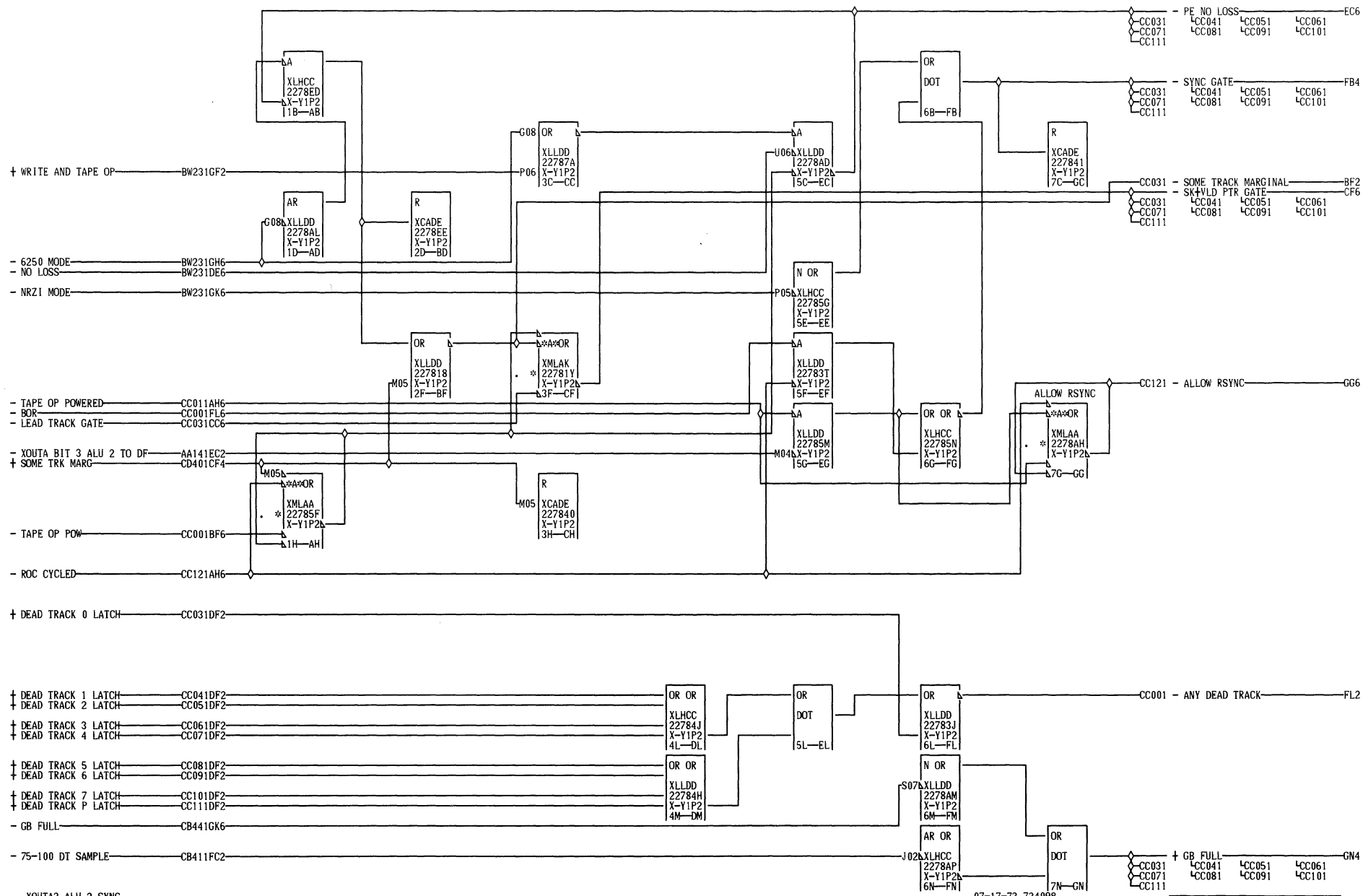
C  
C  
0  
1  
1  
000

GA4 X-Y11A13  
01A-A1A1D13  
01A-A1A5D02  
0A-A2B2D02

07-17-73 734098  
02-22-79 846276

BLOCK DETECTION INVERSIONS		
DATE	08-21-81 MACH.	3803-2
LOG	1836 FRAME	01
		P.N. 2736275
IBM CORP.	CO BLK.	GJ

C  
C  
0  
1  
1  
000



07-17-73 734098

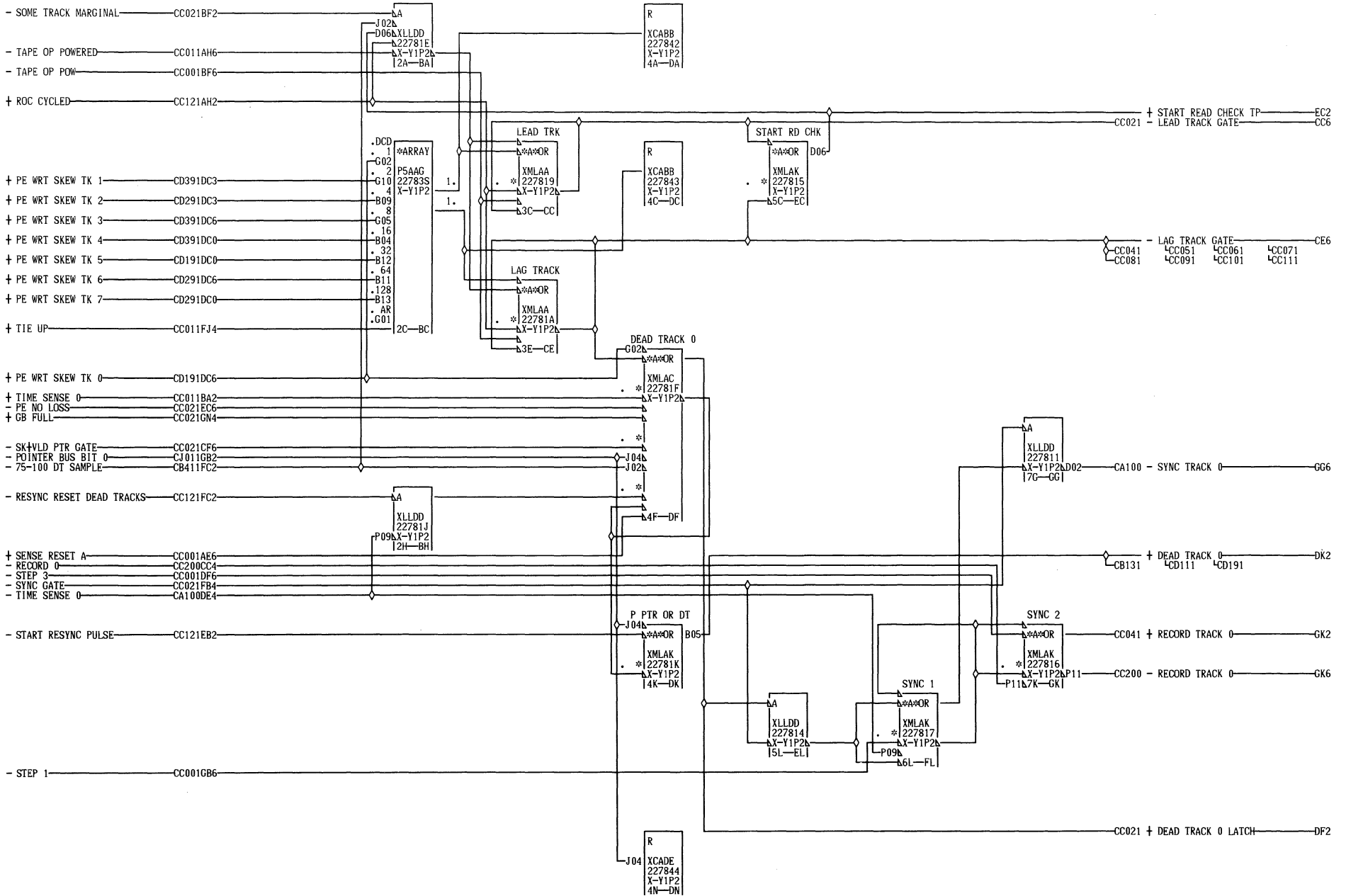
XOUTA3 ALU 2 SYNC

C  
C  
0  
2  
1  
000

TIE CONTROL			
EXSKEW EXTENDER			
DATE	08-21-81	MACH.	3803-2
LOG	0051	FRAME	01
		P.N.	2736276
IBM CORP.	CO	BLK.	GP

C  
C  
0  
2  
1  
000





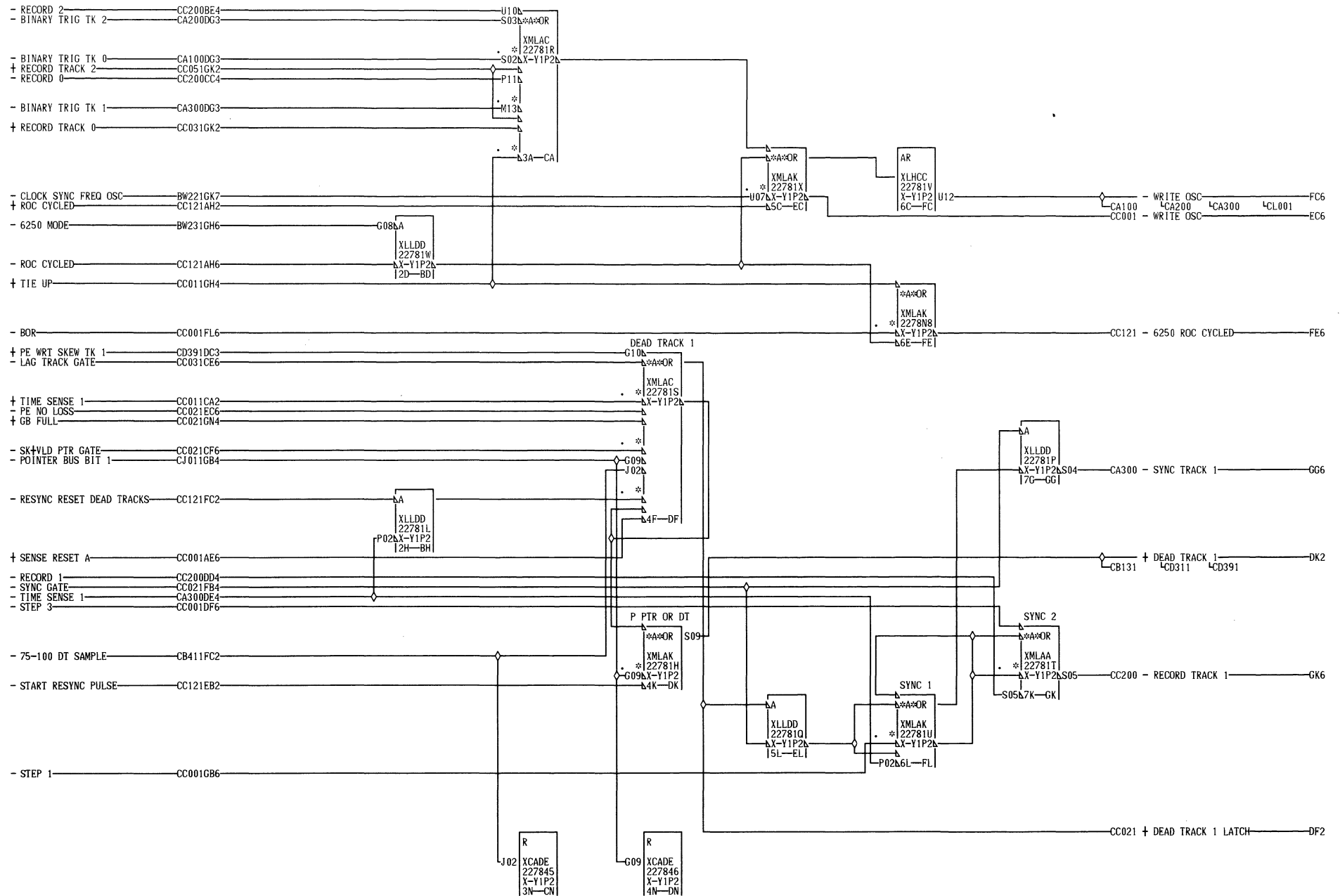
XOUTA2 ALU 2 NOLOSS

07-17-73 734098

C  
C  
0  
3  
1  
000

CONTROL DEAD TRACK 0			
DATE	08-21-81	MACH.	3803-2
LOG	0051	FRAME	01
		P.N.	2736277
IBM CORP.	CO	BLK.	GN

C  
C  
0  
3  
1  
000

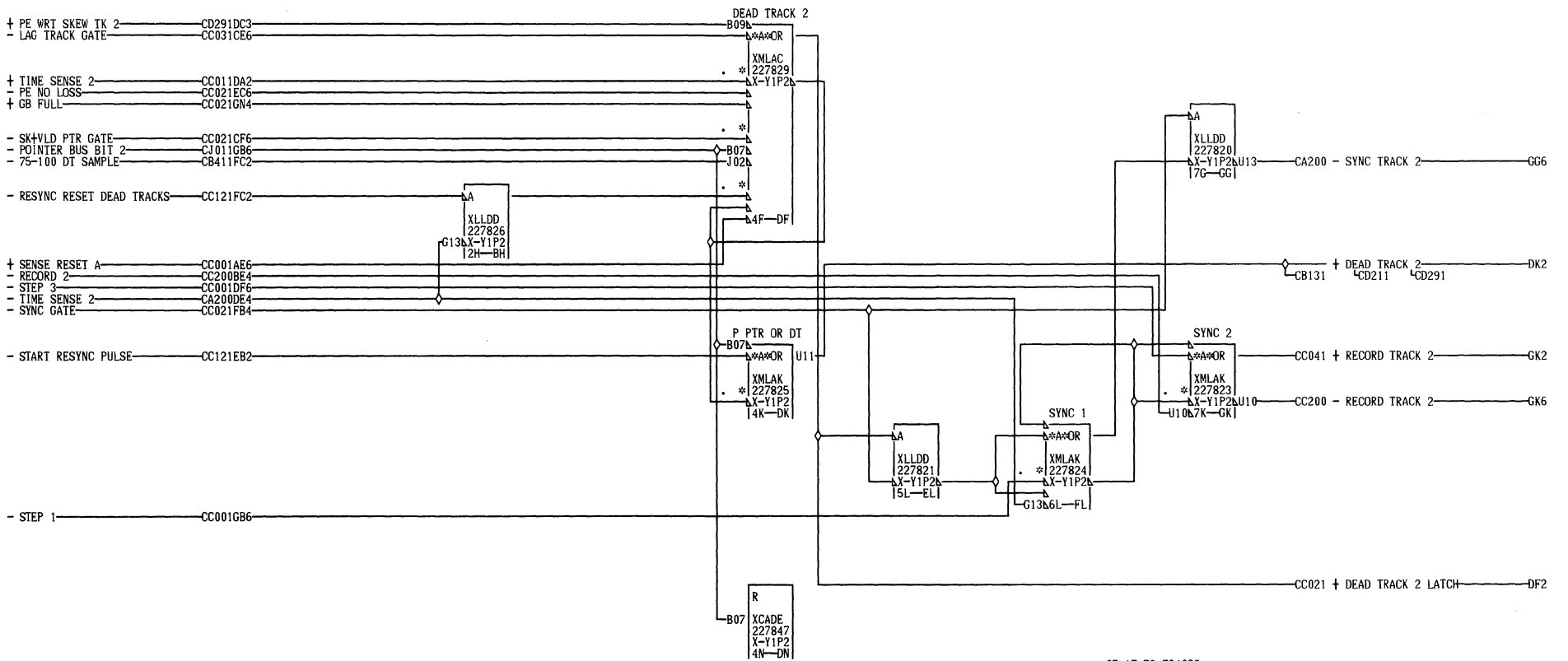


07-17-73 734098  
09-17-73 734107

CONTROL DEAD TRACK 1			
DATE	08-21-81	MACH.	3803-2
LOG	0041	FRAME	01
		P.N.	2736278
IBM CORP.	CO	BLK.	GL

C  
0  
4  
1  
  
000

C  
0  
4  
1  
  
000

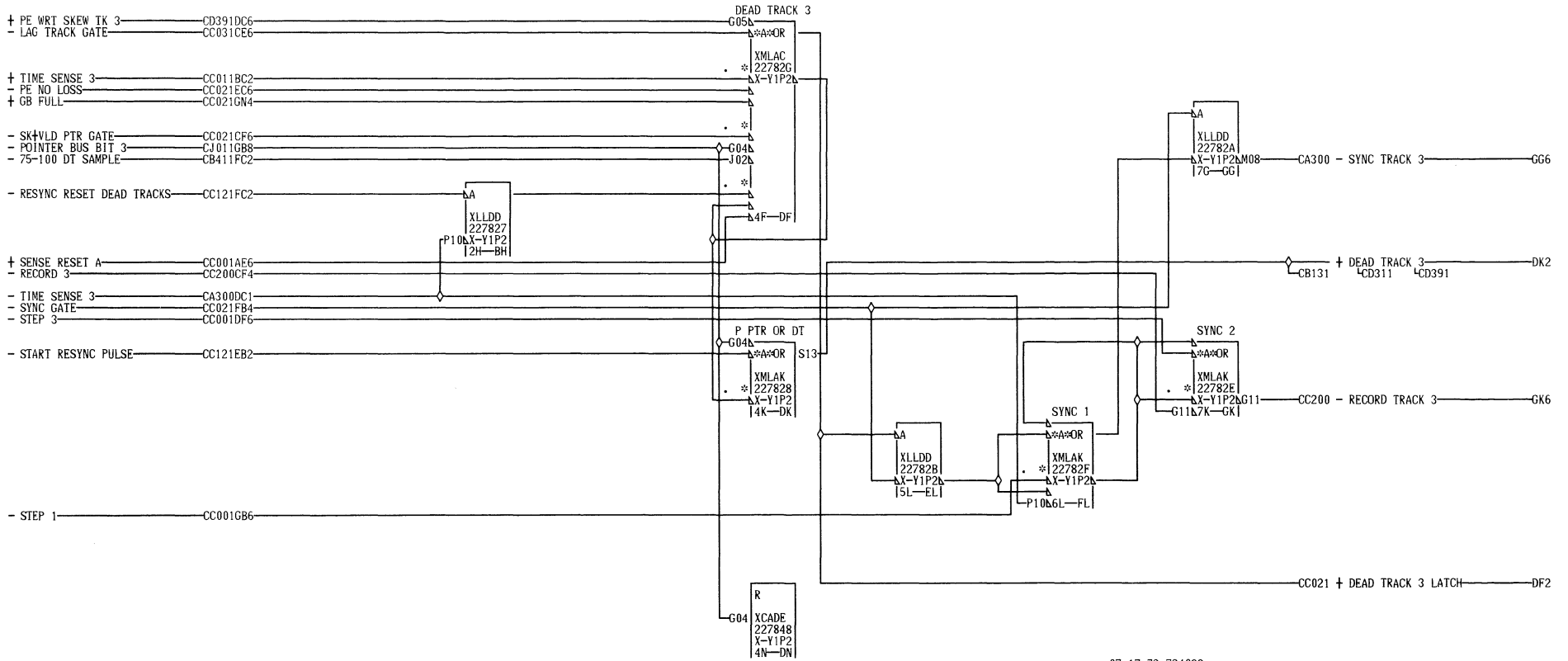


07-17-73 734098

C  
C  
O  
S  
1  
000

CONTROL DEAD TRACK 2			
DATE	08-21-81	MACH.	3803-2
LOG	0051	FRAME	01
		P.N.	2736279
IBM CORP.	CO	BLK.	GL

C  
C  
O  
S  
1  
000

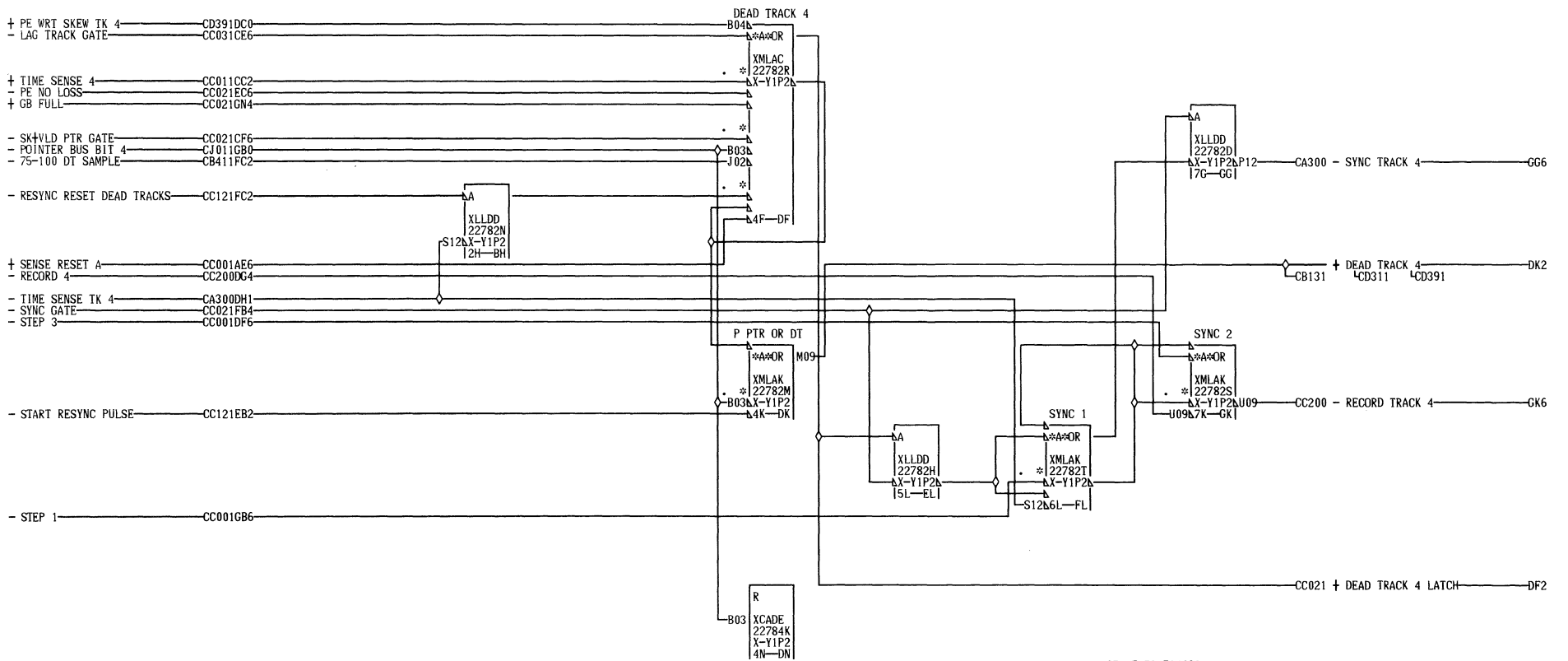


07-17-73 734098

C  
C  
0  
6  
1  
000

CONTROL DEAD TRACK 3			
DATE	08-21-81	MACH.	3803-2
LOG	0051	FRAME	01
		P.N.	2736280
IBM CORP.	CO	BLK.	GL

C  
C  
0  
6  
1  
000

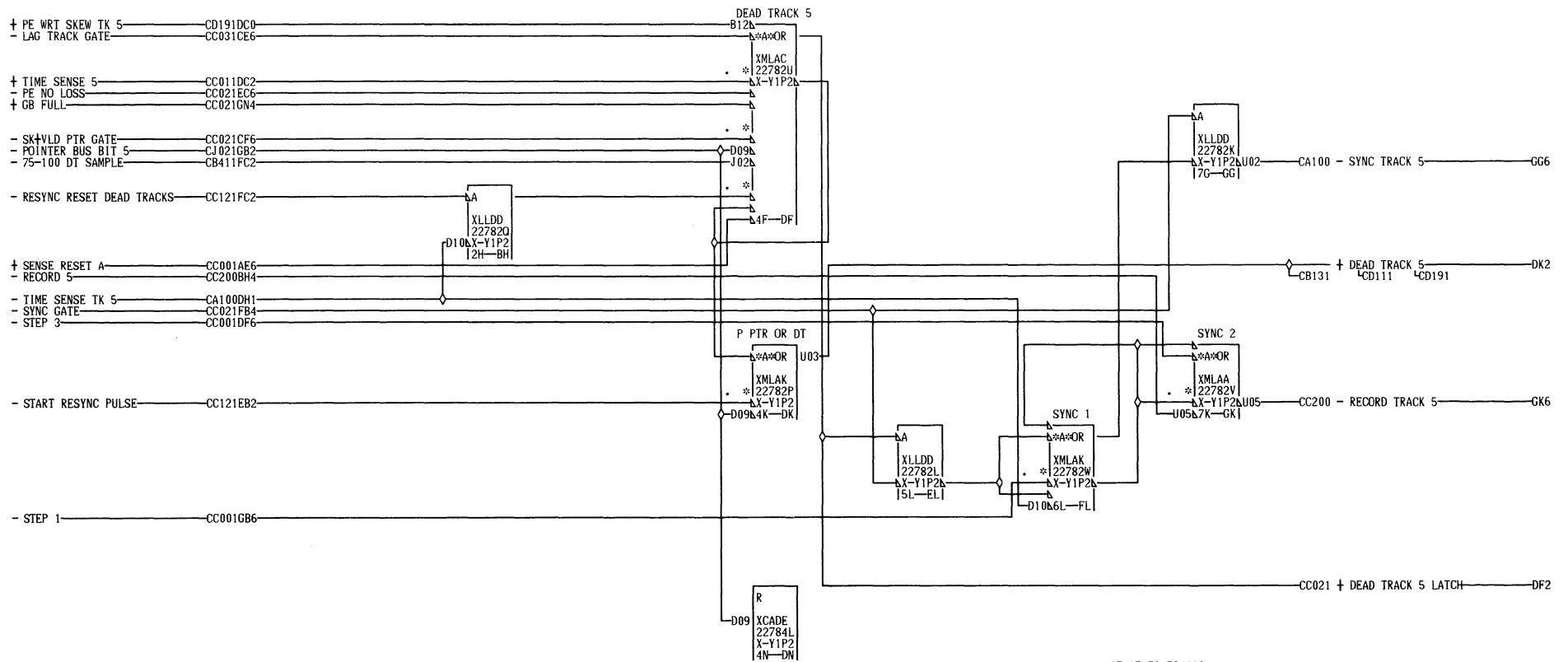


07-17-73 734098

C  
0  
7  
1  
000

CONTROL DEAD TRACK 4			
DATE	08-21-81	MACH.	3803-2
LOG	0051	FRAME	01
		P.N.	2736281
IBM CORP.	CO	BLK.	GL

C  
0  
7  
1  
000

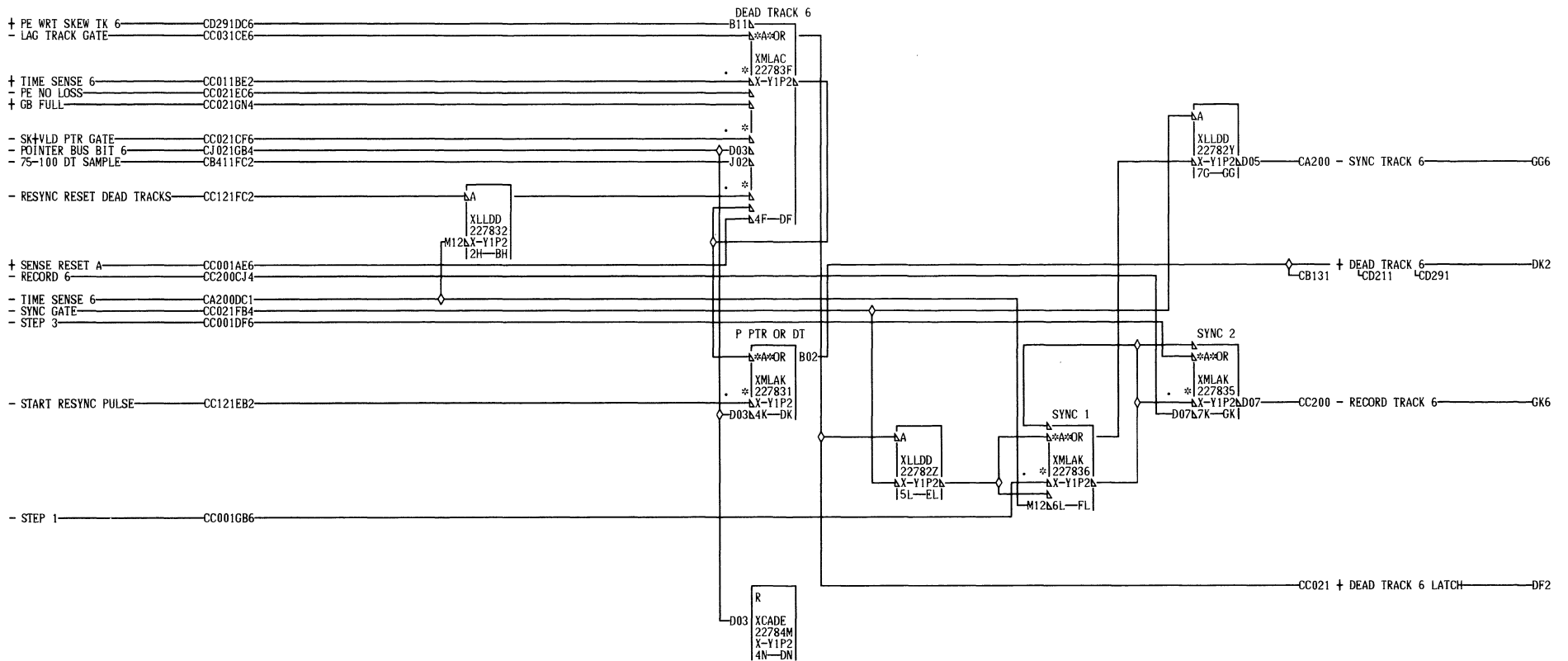


07-17-73 734098

CONTROL DEAD TRACK 5			
DATE	08-21-81	MACH.	3803-2
LOG	0051	FRAME	01
		P.N.	2736282
IBM CORP.	CO	BLK.	GL

C  
C  
0  
8  
1  
000

C  
C  
0  
8  
1  
000

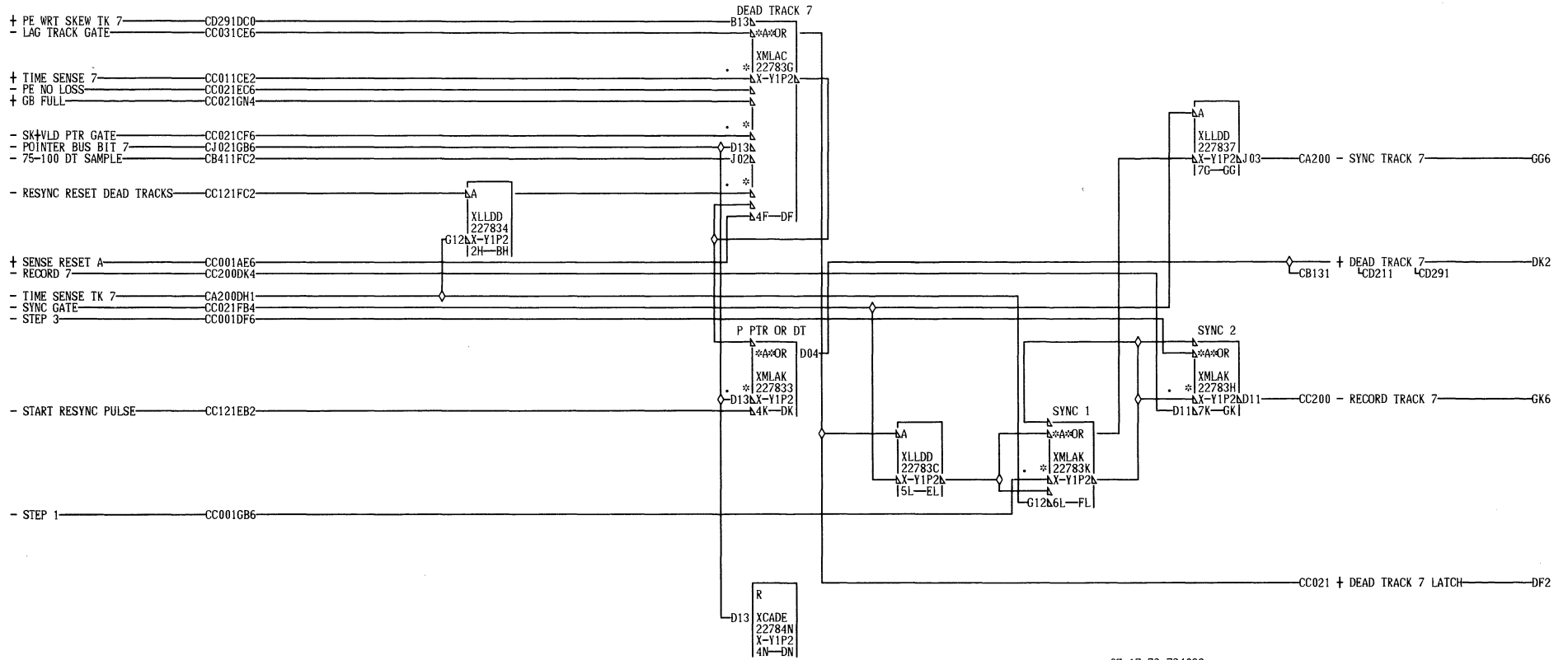


07-17-73 734098

C  
C  
0  
9  
1  
000

CONTROL DEAD TRACK 6			
DATE	08-21-81	MACH.	3803-2
LOG	0051	FRAME	01
		P.N.	2736283
IBM CORP.	CO	BLK.	GL

C  
C  
0  
9  
1  
000



07-17-73 734098

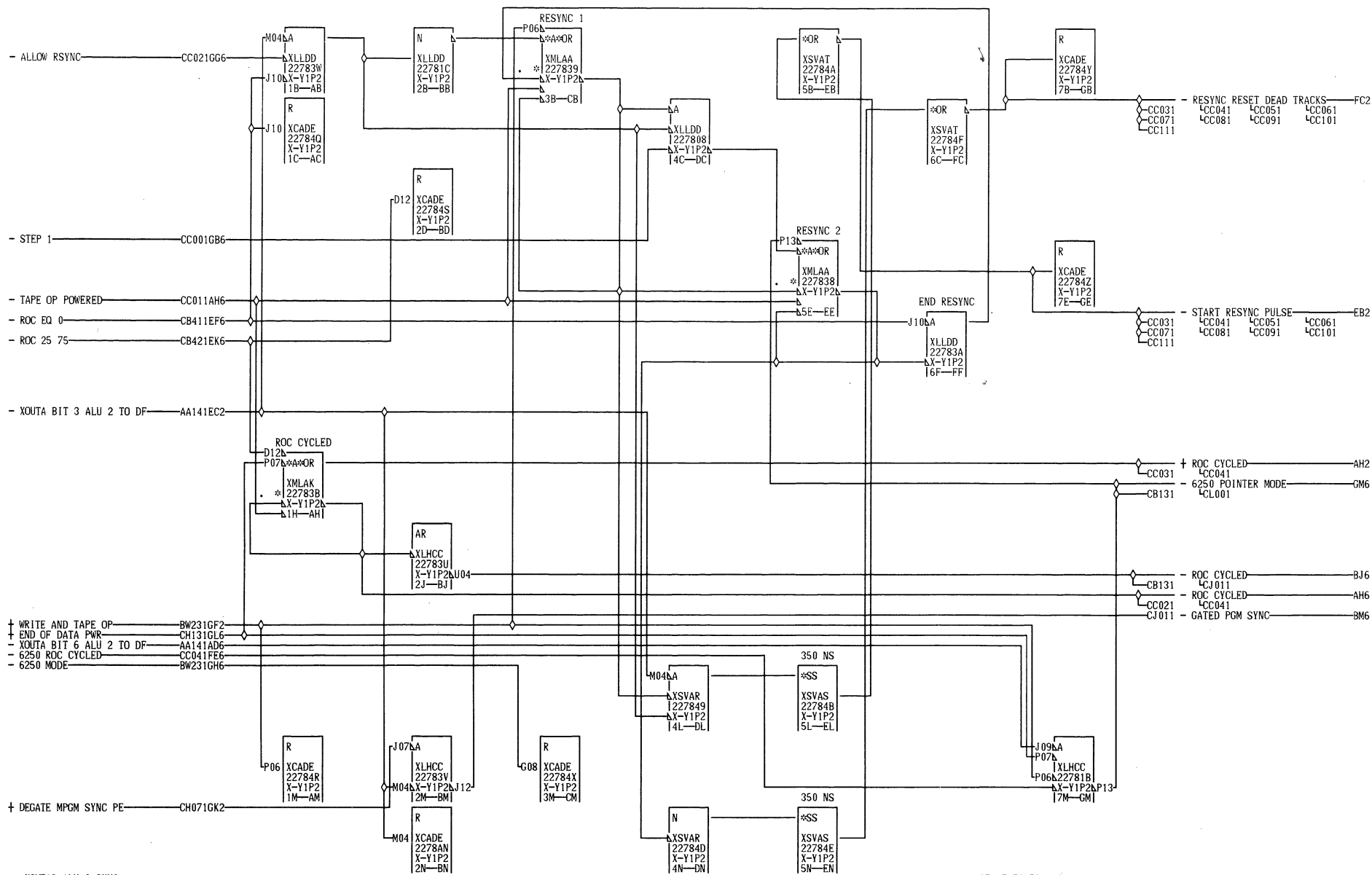
CONTROL DEAD TRACK 7			
DATE	08-21-81	MACH.	3803-2
LOG	0051	FRAME	01
		P.N.	2736284
IBM CORP.	CO	BLK.	GL

C  
C  
1  
0  
1  
000

C  
C  
1  
0  
1  
000







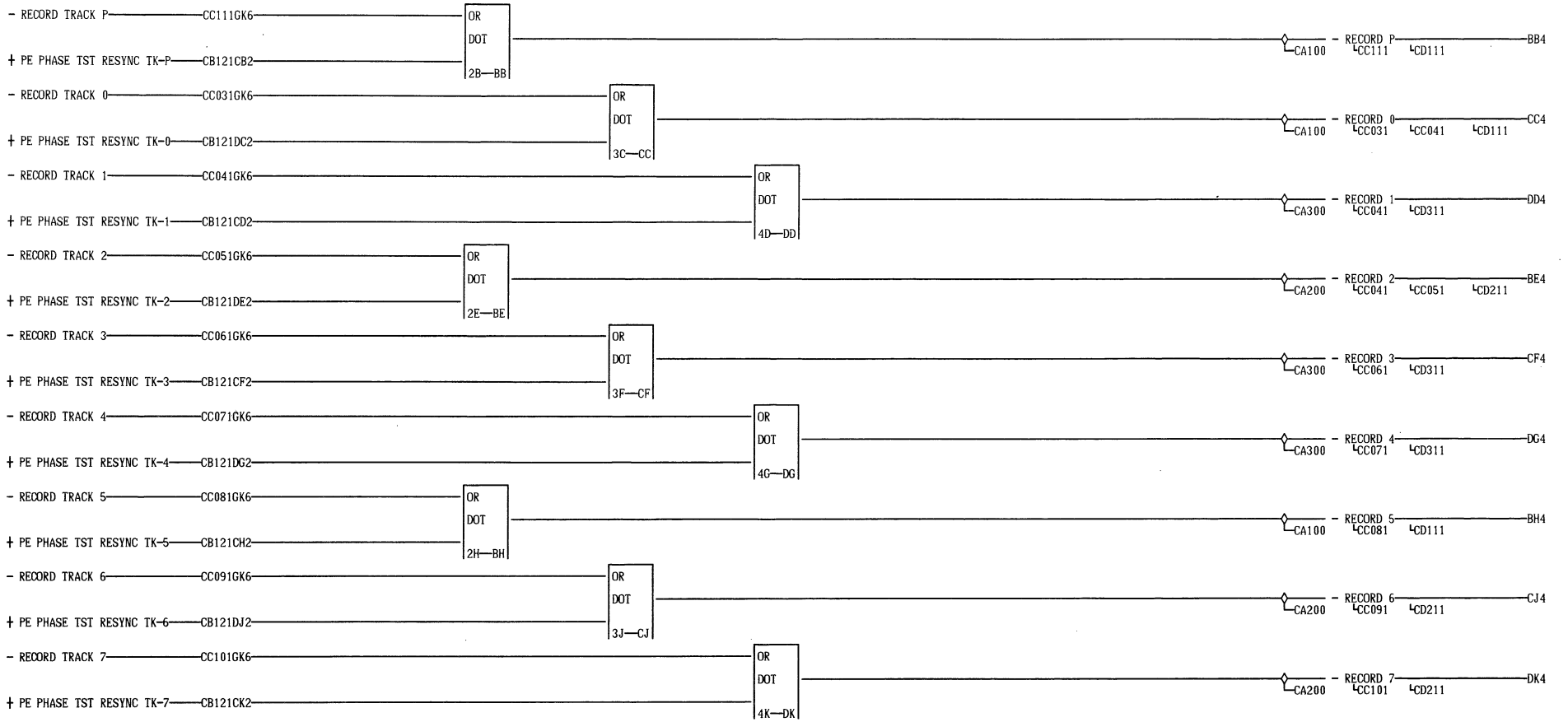
XOUTA3 ALU 2 SYNC  
XOUTA6 ALU 2 LOGAIN

C  
1  
2  
1  
000

07-17-73 734098  
09-17-73 734107

RESYNC CONTROLS			
START READ AND POINTER CONTROL			
DATE	08-21-81	MACH.	3803-2
LOG	0041	FRAME	01
		P.N.	2736286
IBM CORP.	CO	BLK.	GN

C  
1  
2  
1  
000

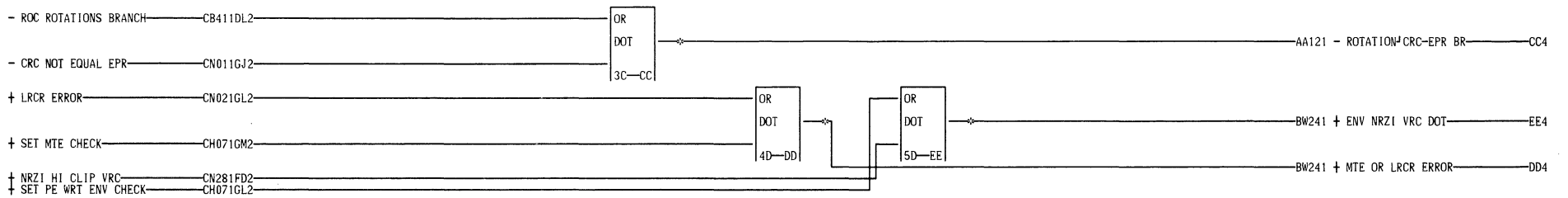


07-17-73 734098

CC200  
000

DOT RECORD AND ERRORS			
DATE	08-21-81	MACH.	3803-2
LOG	0051	FRAME	01
		P.N.	2736287
IBM CORP.	CO	BLK.	DL

CC  
2  
0  
0  
000



C  
C  
3  
0  
0  
000

CC4 X-Y1V2D05  
01A-A1A2D05  
01A-A1A3D07  
01A-A2C2D07  
DD4 X-Y1U1D13  
01A-A1C1B13  
EE4 X-Y1V3D13  
01A-A1V2D13

07-17-73 734098

DOT-ORING BRANCH COND		
AND 7TK SENSE DATA		
DATE	08-21-81	MACH. 3803-2
LOG	0051 FRAME	01
	P.N.	2736288
IBM CORP.	BLK.	EF

C  
C  
3  
0  
0  
000