

HARRIS
SEMICONDUCTOR
A DIVISION OF HARRIS CORPORATION

APPLICATION NOTE HM007

HM-6100 CMOS MICROPROCESSOR MEMORY EXTENSION

APPLICATION NOTE HM007/HM-6100 CMOS MICROPROCESSOR MEMORY EXTENSION/MARCH 1976

INTRODUCTION

The HM-6100, being a 12-bit machine, has a basic addressing capacity of 4096 words of memory. The addressing space can be extended by external logic. This paper discusses a memory extension controller which is program compatible with the DEC PDP-8/E KM8-E Memory Extension option. The controller extends the addressing capability of the HM-6100 from 4096 words to 32768 words. The module generates a 3-bit extended address which is decoded to select 1 of 8 memory modules, each of which provides 4096 words of memory. The main memory is divided into 4K fields, starting with field 0, for the basic 4K memory, up to field 7, when 32K of memory is used. The three memory extension bits augment the 12-bit addresses generated by the microprocessor.

MEMORY EXTENSION CONTROLLER

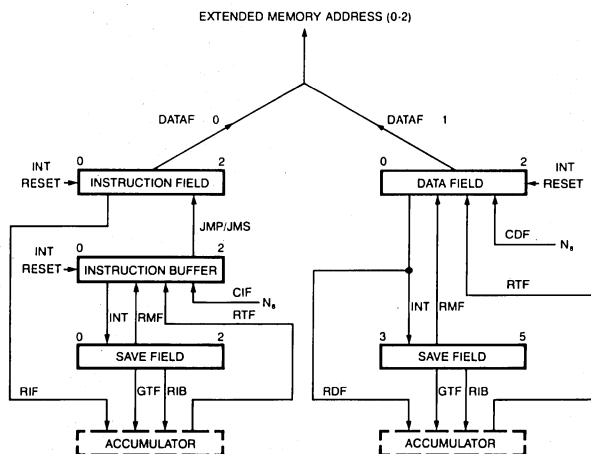


Figure 1

A simplified block diagram of the Memory Extension Controller is represented in Figure 1. The diagram shows two 3-bit field registers, the Instruction Field, which acts as an extension to the instruction and directly obtained operand addresses and the Data Field, which augments indirectly obtained operand addresses. The program can, therefore, use one field for instructions and address pointers and another field for data. The selection between Instruction and Data Fields is controlled by the DATAF signal generated by the HM-6100. A discussion of the various register functions follows.

INSTRUCTION FIELD REGISTER (IF)

The IF is a 3-bit register that serves as an extension of the Program Counter (PC). The IF, however, is not incremented when the PC goes from 7777g to 0000g. The contents of the IF determine the field from which all instructions are taken. Operands for all directly addressed memory reference instructions also come from the Instruction Field. The indirect pointer for all indirectly addressed memory reference instructions reside in the Instruction Field.

DATA FIELD REGISTER (DF)

The DF is a 3-bit register which determines the memory field from which operands are fetched in indirectly addressed AND, TAD, ISZ, or DCA instructions. However, the branch address for indirectly addressed JMS or JMP instructions is obtained from the Instruction Field. The Data Field register may be modified under program control.

INSTRUCTION BUFFER REGISTER (IB)

The IB is a 3-bit register which serves as an input buffer for the Instruction Field (IF) register. All programmed modifications of the IF register are made through the IB register. The transfer from IB to IF takes place after the "next" JMP or JMS

INSTRUCTIONS

Table 1 lists the mnemonics for the Extended Memory Control, their OPCODE and the operations performed.

TABLE 1

MNEMONIC	OCTAL CODE	OPERATION
GTF	6004g	<p>GET FLAGS</p> <p>Operation: AC (0) ← LINK AC (2) ← INTREQ Line AC (3) ← INT INHIBIT FF AC (4) ← INT ENABLE FF AC (6-11) ← SF (0-5)</p> <p>Description: LINK, INTREQ and INT ENABLE FF are internal to the CPU. The INT INHIBIT FF and SF are in the Memory Extension Controller.</p> <p>Implementation: The CPU accepts the device data available on DX (0-11) and then bits 0, 2 and 4 are modified by the respective internal flags before the data is loaded into the Accumulator(AC). The Memory Extension Controller must drive the C-lines (CO = L, C1 = L). AC(1) and AC(5) are determined externally.</p>
RTF	6005g	<p>RETURN FLAGS</p> <p>Operation: LINK ← AC (0) IB ← AC (6-8) DF ← AC (9-11)</p> <p>Description: LINK is restored. All AC bits are available externally during IOTA T6 to restore other flag bits. The internal Interrupt System is enabled. However, the Interrupt Inhibit FF is made active until the "next" JMS/JMP. The IB is transferred to IF after the "next" JMS/JMP.</p>
CDF	62N1g	<p>CHANGE DATA FIELD</p> <p>Operation: DF ← Ng</p> <p>Description: Change DF register to N (0g - 7g).</p>
CIF	62N2g	<p>CHANGE INSTRUCTION FIELD</p> <p>Operation: IB ← Ng</p> <p>Description: Change IB to N (0g - 7g). Transfer IB to IF after the "next" JMP/JMS. The Interrupt Inhibit FF is active until the "next" JMP/JMS.</p>
CDF, CIF	62N3g	<p>CHANGE DF, IF</p> <p>Operation: DF ← Ng IB ← Ng</p> <p>Description: Combination of CDF and CIF.</p>
RDF	6214g	<p>READ DATA FIELD</p> <p>Operation: DF ← Ng</p> <p>Description: OR's the contents of DF into bits 6-8 of the AC. All other bits are unaffected.</p> <p>Implementation: DataX (0-5) and DataX (9-11) must be 0's. Drive C1 = L.</p>
RIF	6224g	<p>READ INSTRUCTION FIELD</p> <p>Operation: AC (6-8) ← AC (6-8) V IF</p> <p>Description: OR's the contents of IF into bits 6-8 of the AC. All other bits of the AC are unaffected.</p> <p>Implementation: Same as RDF</p>
RIB	6234g	<p>READ INTERRUPT BUFFER, READ SAVE FIELD</p> <p>Operation: AC (6-11) ← AC (6-11) V SF</p> <p>Description: OR's the contents of SF into bits 6-11 of the AC. All other bits of the AC are unaffected.</p> <p>Implementation: Same as RDF, RIF</p>
RMF	6244g	<p>RESTORE MEMORY FIELD</p> <p>Operation: IB ← SF (0-2) DF ← SF (3-5)</p> <p>Description: The SF register saves the contents of the IB and DF when an interrupt occurs. This command is used to restore IB and DF when "exiting" from the interrupt service routine in another field. Transfer IB to IF after the next JMP/JMS. The Interrupt Inhibit FF is active until the next JMP/JMS.</p>

instruction. Using this feature, a program segment can execute an instruction to modify the IF and then "exit" the program segment before the actual modification of the IF takes place. If instructions could change the IF directly, it would be impossible to execute the "next" sequential instruction, following a Change IF instruction.

SAVE FIELD REGISTER (SF)

The SF is a 6-bit register in which the IB and DF registers are saved during an Interrupt Grant. When an Interrupt occurs, the contents of IB and DF are automatically stored in SF (0-2) and SF (3-5), respectively, and the IF, IB and DF registers are cleared. The INTGNT (Interrupt Grant) cycle stores the "current" Program Counter (PC) in location 0000g of Memory Field 0g and the CPU resumes operation in location 0001g of Memory Field 0g. The Instruction Field and Data Field of the program segment, being executed by the CPU before the interrupt was acknowledged, are available in the SF register.

INTERRUPT INHIBIT FLIP-FLOP

The INTREQ (Interrupt Request) line to the HM-6100 must be "gated" by the Interrupt Inhibit Flip-Flop so that, when the Instruction Field is changed under program control, all interrupts are disabled until a JMP or JMS instruction is executed. Since the actual modification of the Instruction Field takes place only after the "next" JMP/JMS, this inhibition of the INTREQ's ensures that the program sequence resumes operation in the "new" memory field before an Interrupt Request is granted.

Since Interrupt Requests are asynchronous in nature, a situation may arise in which an INTREQ is generated when the IF and IB bits are different. The Interrupt Inhibit FF guarantees the structural integrity of the program segment.

OPERAND FETCHING

Instructions are accessed from the currently assigned Instruction Field. For indirect AND, TAD, ISZ or DCA instruction, the operand address refers first to the Instruction Field to obtain an Effective Address which in turn refers to a location in the currently addressed Data Field.

Thus, DF is active only in the Execute phase of an AND, TAD, ISZ or DCA when it is directly preceded by an Indirect phase.

ADDRESS MODE	IF	DF	AND, TAD, ISZ or DCA
Direct	m	n	Operand in field m
Indirect	m	n	Absolute address of operand in field m; operand in field n

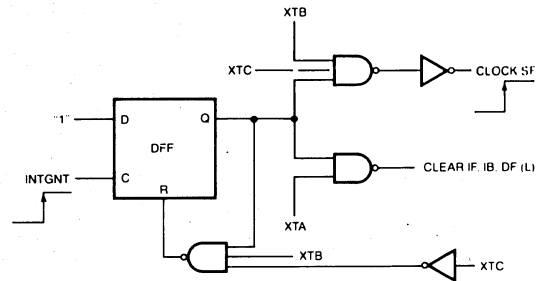
HM-6100 SIGNALS

The HM-6100 provides all of the signals required to implement the Memory Extension Controller.

INTGNT (INTERRUPT GRANT) – PIN 39

If the interrupt system is enabled and there are no higher priority requests to the HM-6100 pending, for example, RESET, CPREQ, RUN/HLT or DMAREQ, the HM-6100 grants an INTREQ by activating the INTGNT signals at the end of the current instruction. The positive transition of this signal can be used to load the Save Field (SF) register with Instruction Buffer (IB) register and Data Field (DF) register and then to clear IF, IB and DF.

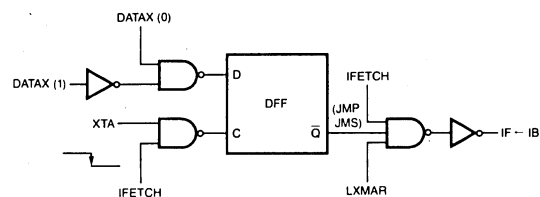
The INTGNT signal is reset by any IOT instruction:



DATAF (DATA FIELD SELECT) – PIN 40

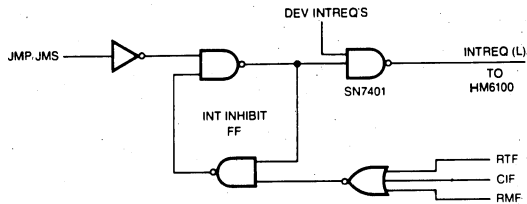
The DATAF is high in the Execute phase of an AND, TAD, ISZ or DCA when it is directly preceded by an Indirect phase.

When accessing memory for operands in indirectly addressed AND, TAD, ISZ or DCA, the DATAF selects the DF instead of the IF as the extended memory address.



IFETCH (INSTRUCTION FETCH PHASE) — PIN 36

The IFETCH signal is active high during an Instruction Fetch cycle. The Memory Extension Controller can monitor the DX (0-2) lines during IFETCH·XTA to decode JMP/JMS. JMP/JMS transfers IB to IF and resets the Interrupt Inhibit FF.



CONCLUSION

The memory extension controller that we have discussed in this bulletin shows three important design considerations involved in extending memory addressing space. The first is the concept of having separate instruction and data fields for program flexibility. The second is the importance of double buffering the instruction field register to maintain structural integrity of programs and the third is the provision for saving the current field status upon interrupts and disabling interrupts until a change of instruction field has been completely executed.

The length of the field registers is limited only by the PDP-8 instructions that manipulate the contents of the field registers. For example, the instruction CDF-62N1g (Change Data Field to Ng) provides for only 3 bits (Ng) for the Data Field. The user, of course, has the option to have any subset or superset of these features for specific implementations. However, it is recommended that the memory extension controller adhere to the KM8-E architecture to execute DEC software properly, especially, if the application does not require more than 32K of memory.

SALES OFFICES —

SUITE 103
4014 LONG BEACH BLVD.
LONG BEACH, CALIF. 90807
(213) 426-7687

SUITE 230
1032 ELWELL COURT
PALO ALTO, CALIF. 94303
(415) 964-6443

SUITE 100
15 SPINNING WHEEL ROAD
HINSDALE, ILL. 60521
(312) 325-4242

SUITE 301
177 WORCESTER STREET
WELLESLEY HILLS, MASS. 02181
(617) 237-5430

SUITE 132
7710 COMPUTER AVENUE
MINNEAPOLIS, MINN. 55435
(612) 835-2505

3215 E. MAIN STREET
ENDWELL, N. Y. 13760
(607) 754-5464

535 BROADHOLLOW ROAD
MELVILLE, L. I., N. Y. 11746
(516) 249-4500

SUITE 220
333 WEST FIRST STREET
DAYTON, OHIO 45402
(513) 226-0636

SUITE 325
650 E. SWEDES FORD ROAD
WAYNE, PENN. 19087
(215) 687-6680

SUITE 7G
777 S. CENTRAL EXPRESSWAY
RICHARDSON, TEXAS 75080
(214) 231-9031

P. O. BOX 883
MELBOURNE, FL. 32901
(305) 724-7430
TWX-510-959-6259

HARRIS SEMICONDUCTOR RESERVES THE RIGHT TO CHANGE
AT ANY TIME THE INFORMATION CONTAINED HEREIN.

