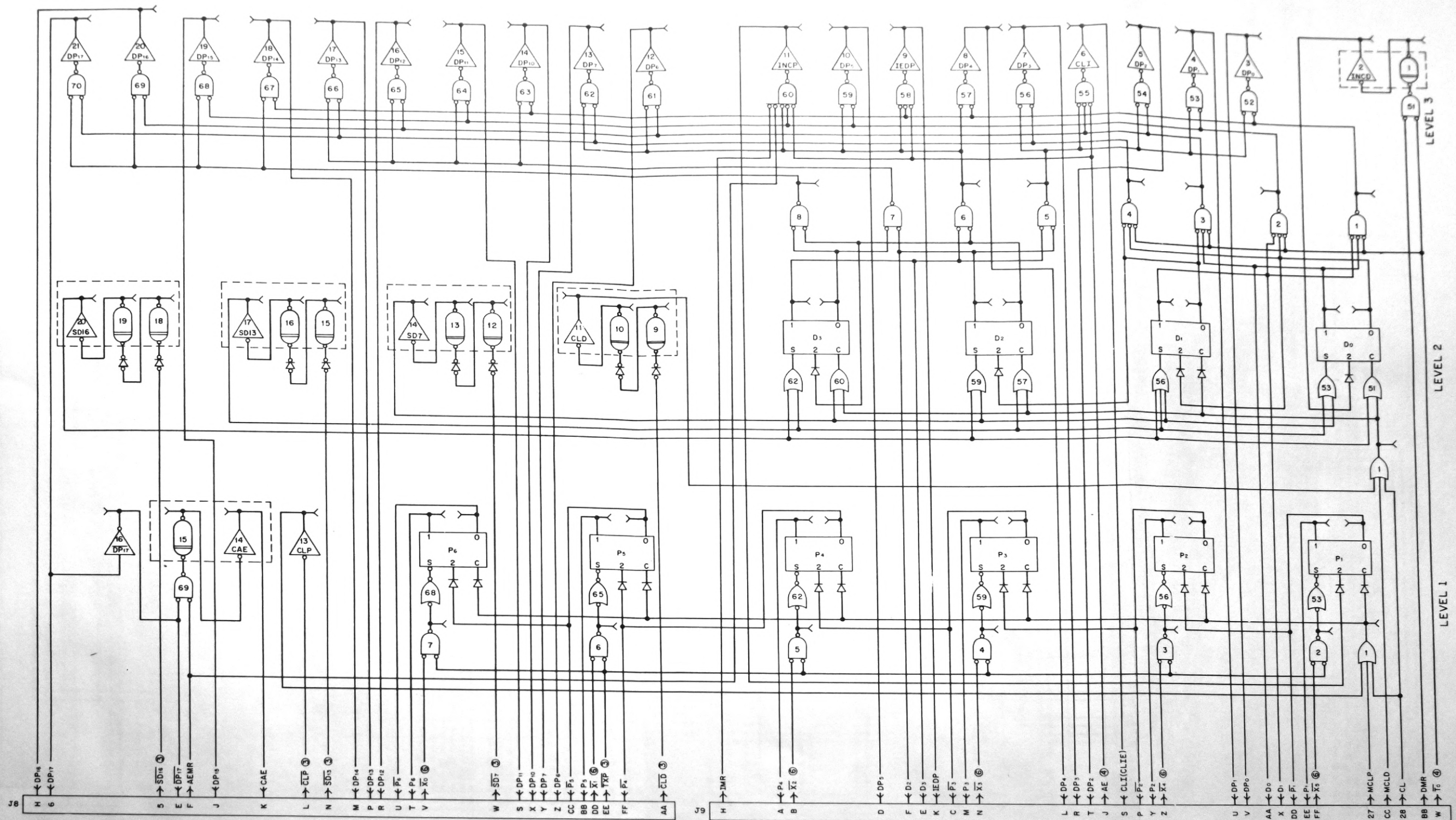


NOTE:

- 1 - DENOTES ISOLATION DIODE
- 2 - CIRCLED NUMBER INDICATES BOARD ON WHICH SIGNAL ORIGINATES
- 3 - $ADG = (LDA + LDN + ADD + SUB)$
- 4 - $LNS = (LDN + SUB)$
- 5 - $ARG = (LDA + LDN + ADD + SUB + RAU + RSU + MPY + DIV)$
- 6 - $LAN = (LDA + LDN)$

COPYRIGHTED 1965 & 1967 BY FABRI-TEK, INC.

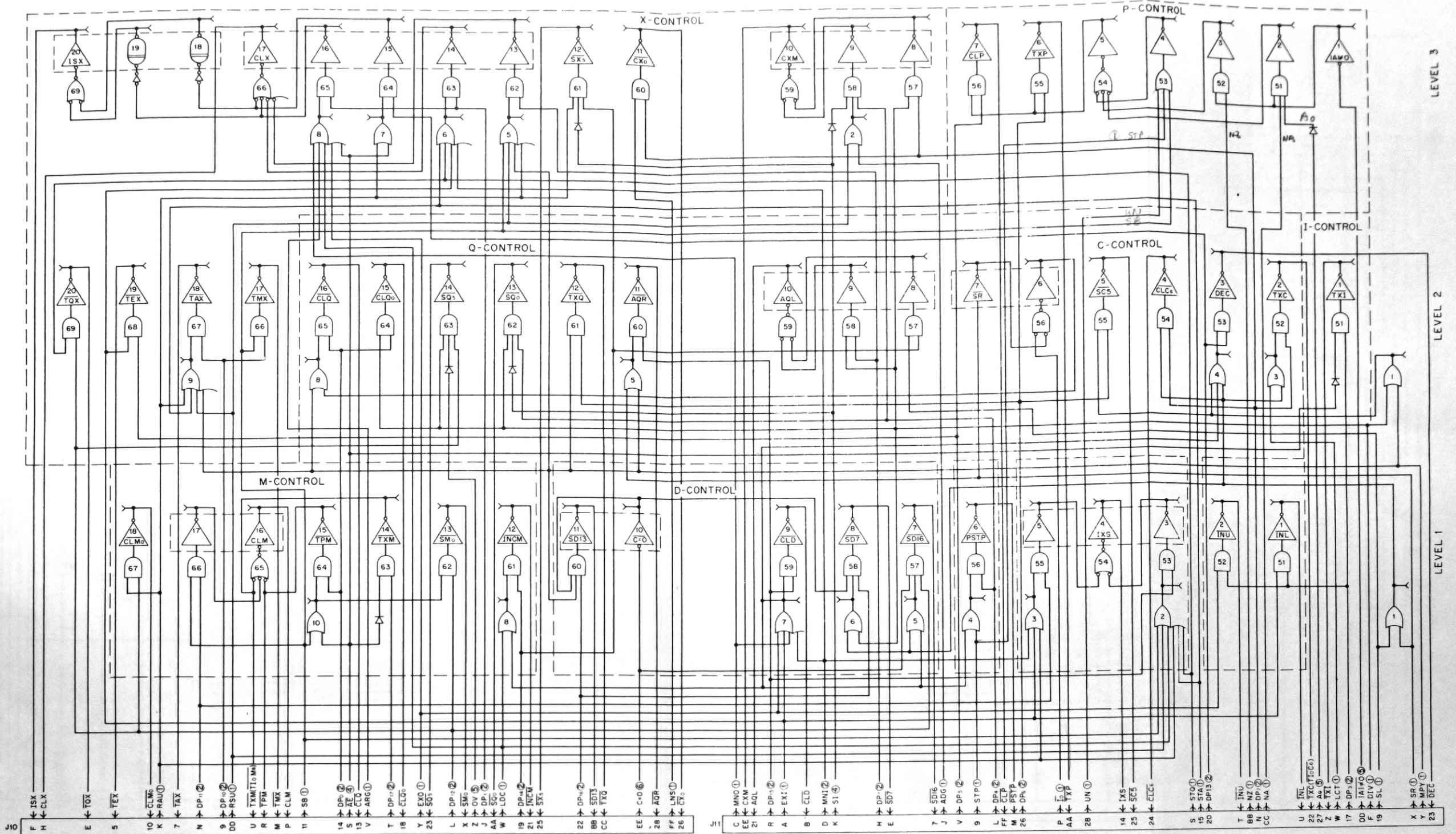
REMOVE ALL BURRS BREAK ALL SHARP CORNERS		FABRI-TEK INCORPORATED MINNEAPOLIS, MINNESOTA	
DESIGNED BY <i>G. BATES</i>	DATE 3-7-67	TITLE BOARD I INSTRUCTION REGISTER	
CHECKED BY <i>D.A.P.</i>	DATE 3-24-67	CODE IDENT. NO. 11000-575	
APPROVED BY <i>HARRIS</i>		SCALE	SHEET
REVISED BY <i>LOEBLIS</i>			



NOTE:
 1 - DENOTES ISOLATION DIODE
 2 - DENOTES APPROX 15μ SEC DELAY
 3 - CIRCLED NUMBER INDICATES BOARD ON WHICH SIGNAL ORIGINATES

COPYRIGHTED 1965 & 1967 BY FABRI-TEK INC.

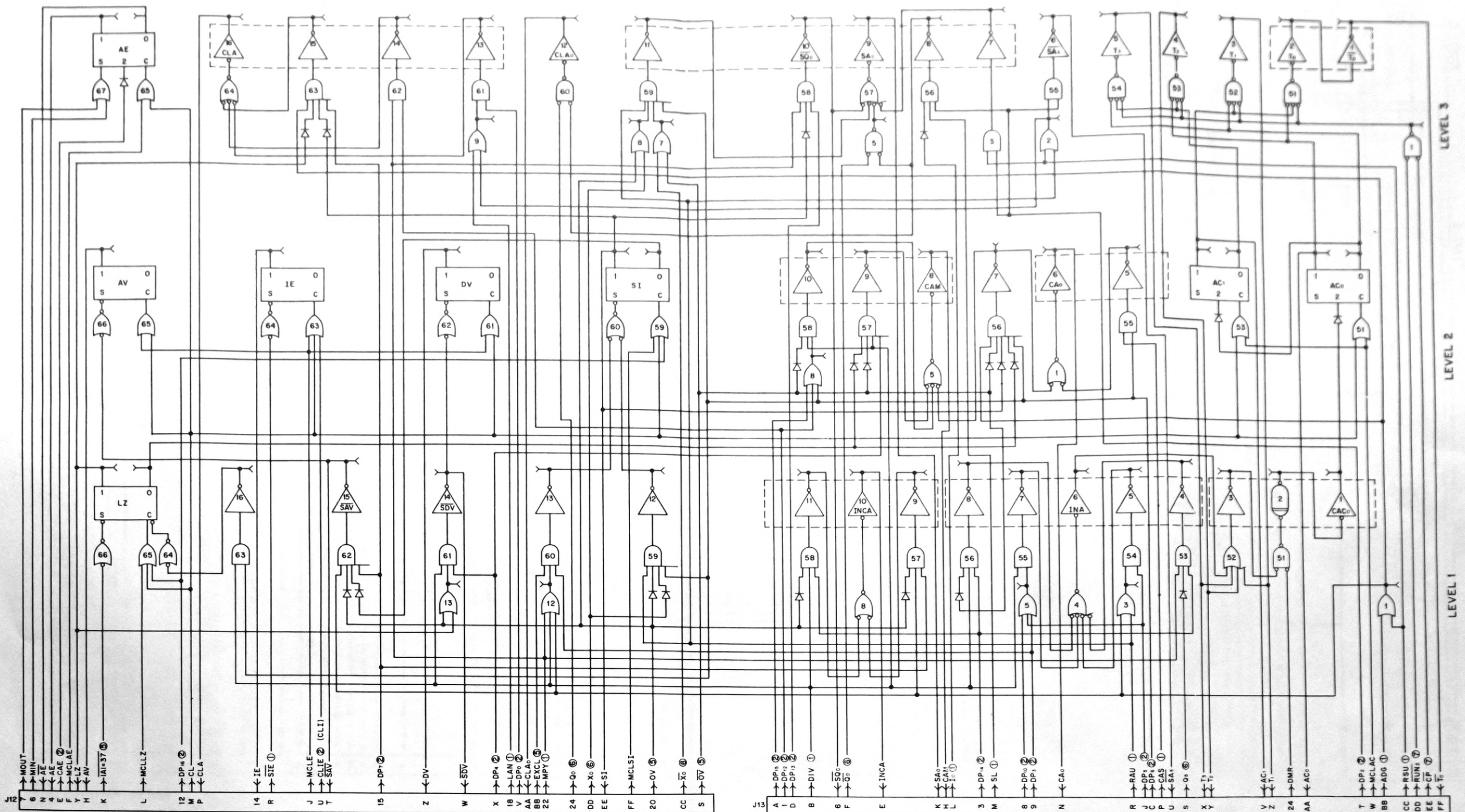
REMOVE ALL BURRS BREAK ALL SHARP CORNERS			
DESIGN G. BATES	DATE 5-10-67	MINNEAPOLIS, MINNESOTA	
CHECKED D.D.P.	7-29-67	TITLE BOARD 2. PULSE DIST. & P REGISTER	
APPROVED PHOENIX	3-29-67	CODE IDENT. NO. 11000-576	
APPROVED Leahia		BI-TRAN SIX	SCALE
			SHEET



NOTE:
 1- Δ DENOTES ISOLATION DIODE
 2-CIRCLED NUMBER INDICATES BOARD ON WHICH SIGNAL ORIGINATES
 3- \square DENOTES APPROX 15 μ SEC DELAY

COPYRIGHTED 1965 & 1967 BY FABRI-TEK, INC.

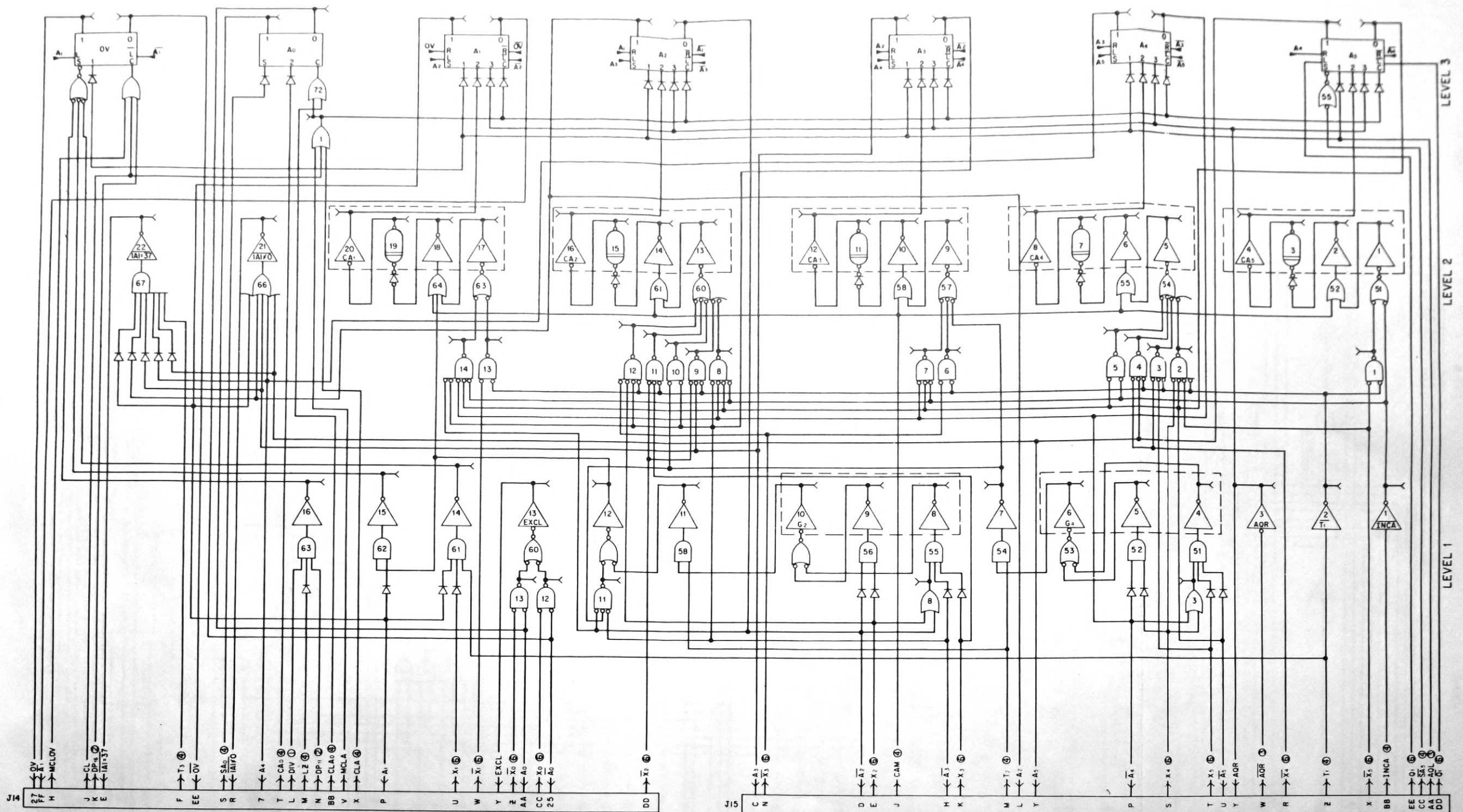
REMOVE ALL BURRS BREAK ALL SHARP CORNERS		FABRI-TEK [®] INCORPORATED MINNEAPOLIS, MINNESOTA	
DRAWN G BATES	DATE 3-10-67	TITLE BOARD 3. LOGIC CONTROL	
CHECKED DAD	APPROVED 7-24-67	CODE IDENT. NO. 11000-577	
APPROVED TARLES	DATE 7-24-67	SCALE	SHEET
BI-TRAN SIX			



NOTE:
 1- DENOTES ISOLATION DIODE
 2- CIRCLED NUMBER INDICATES BOARD ON WHICH SIGNAL ORIGINATES
 3- DENOTES 15μ SEC DELAY

COPYRIGHTED 1965 & 1967 BY FABRI-TEK INC.

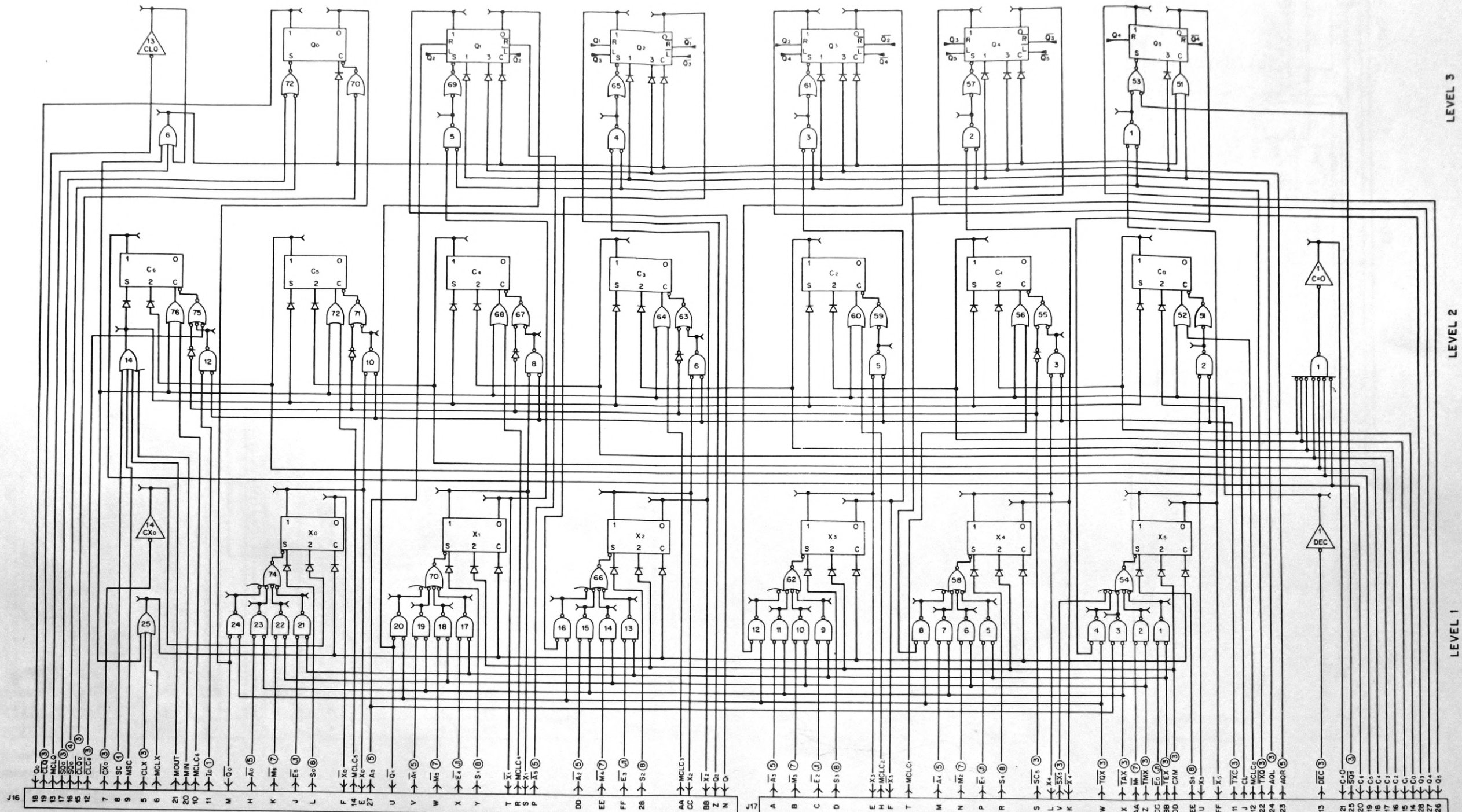
REMOVE ALL BURRS BREAK ALL SHARP CORNERS		FABRI-TEK INCORPORATED MINNEAPOLIS, MINNESOTA	
DESIGNER G. BATES	DATE 3-10-67	TITLE BOARD 4. ARITHMETIC CONTROL	
CHECKED D.A.P.	APPROVED PARKES	CODE IDENT. NO. 11000-578	
APPROVED Loebig	DATE 7-27-67	SCALE	SHEET
BI-TRAN SIX			



NOTE:
 1- DENOTES ISOLATION DIODE
 2- DENOTES APPROX 15μ SEC DELAY
 3- CIRCLED NUMBER INDICATES BOARD ON WHICH SIGNAL ORIGINATES

COPYRIGHTED 1965 & 1967 BY FABRI-TEK, INC.

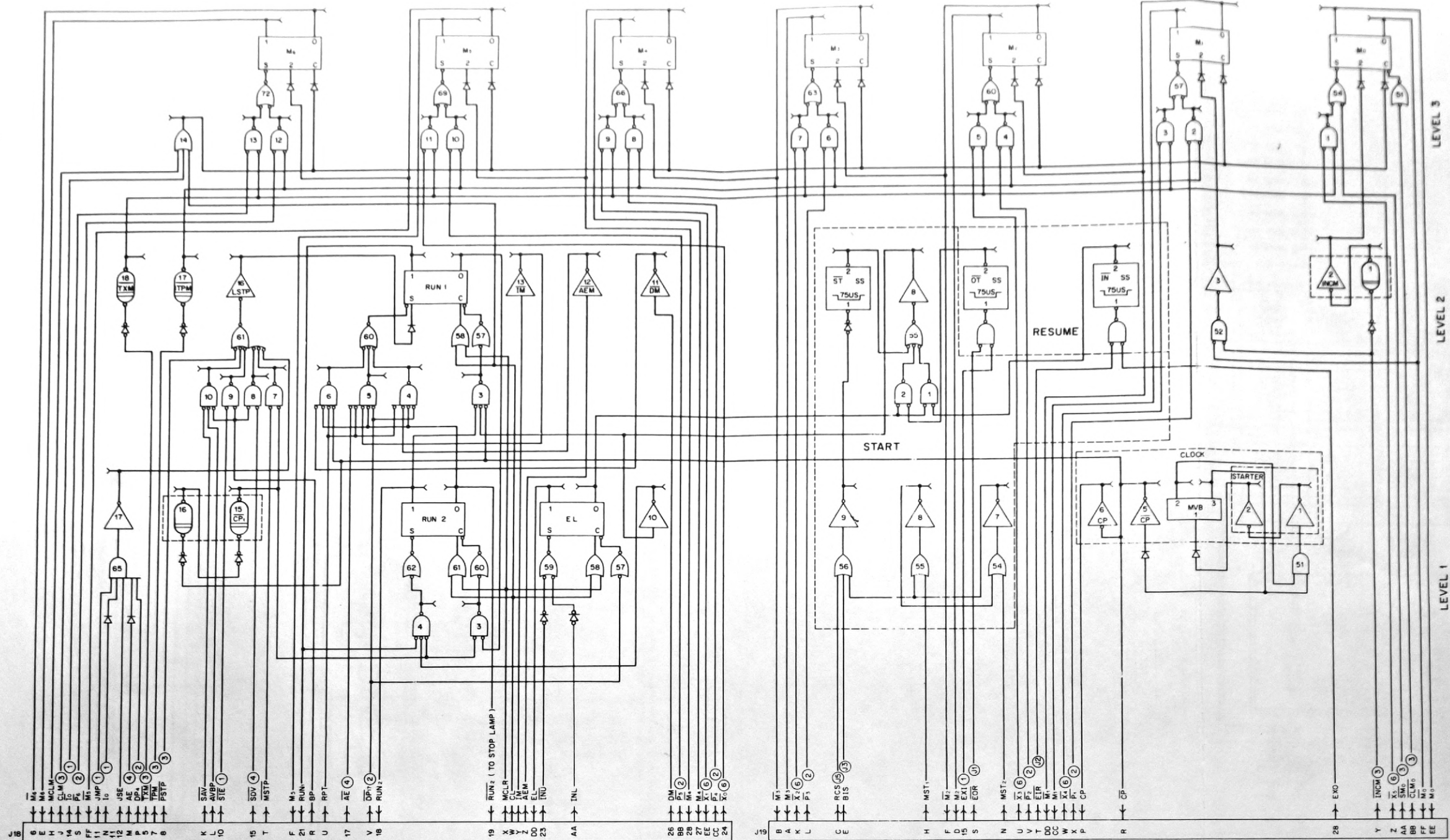
REMOVE ALL BURRS BREAK ALL SHARP CORNERS		FABRI-TEK [®] INCORPORATED MINNEAPOLIS MINNESOTA
DRAWN G BATES CHECKED DAP APPROVED PARKES DIMENSIONS Locking	DATE 3-10-67 3-29-67	
BI-TRAN SIX	CODE IDENT. NO.	SIZE DWG. NO. 11000-579
SCALE		SHEET



NOTE:
 1- DENOTES ISOLATION DIODES
 2- CIRCLED NUMBER INDICATES BOARD ON WHICH SIGNAL ORIGINATES

COPYRIGHTED 1965 & 1967 BY FABRI-TEK, INC.

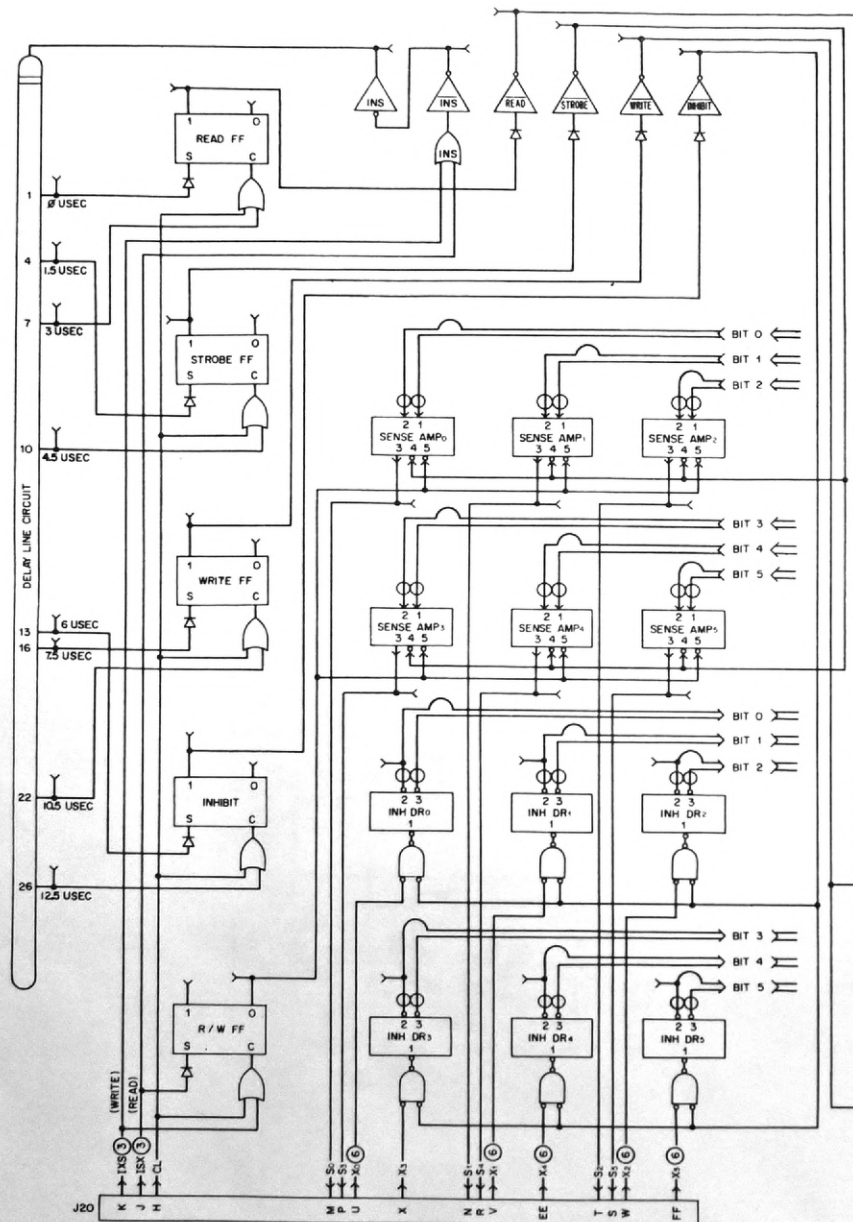
REMOVE ALL BURRS BREAK ALL SHARP CORNERS		FABRI-TEK INCORPORATED MINNEAPOLIS, MINNESOTA	
DESIGNER G. BATES	DATE 3-3-67	TITLE BOARD 6. X, C AND Q REGISTERS	
CHECKER D.A.P.	APPROVED DARKES	DATE 3-21-67	SCALE
APPROVED <i>Lee big</i>		FORM IDENT. NO.	SIZE DWG. NO. 11000-580
BI-TRAN SIX		SHEET	



NOTE:
 1 - DENOTES ISOLATION DIODE
 2 - DENOTES 15µ SEC DELAY
 3 - CIRCLED NUMBER INDICATES BOARD ON WHICH SIGNAL ORIGINATES

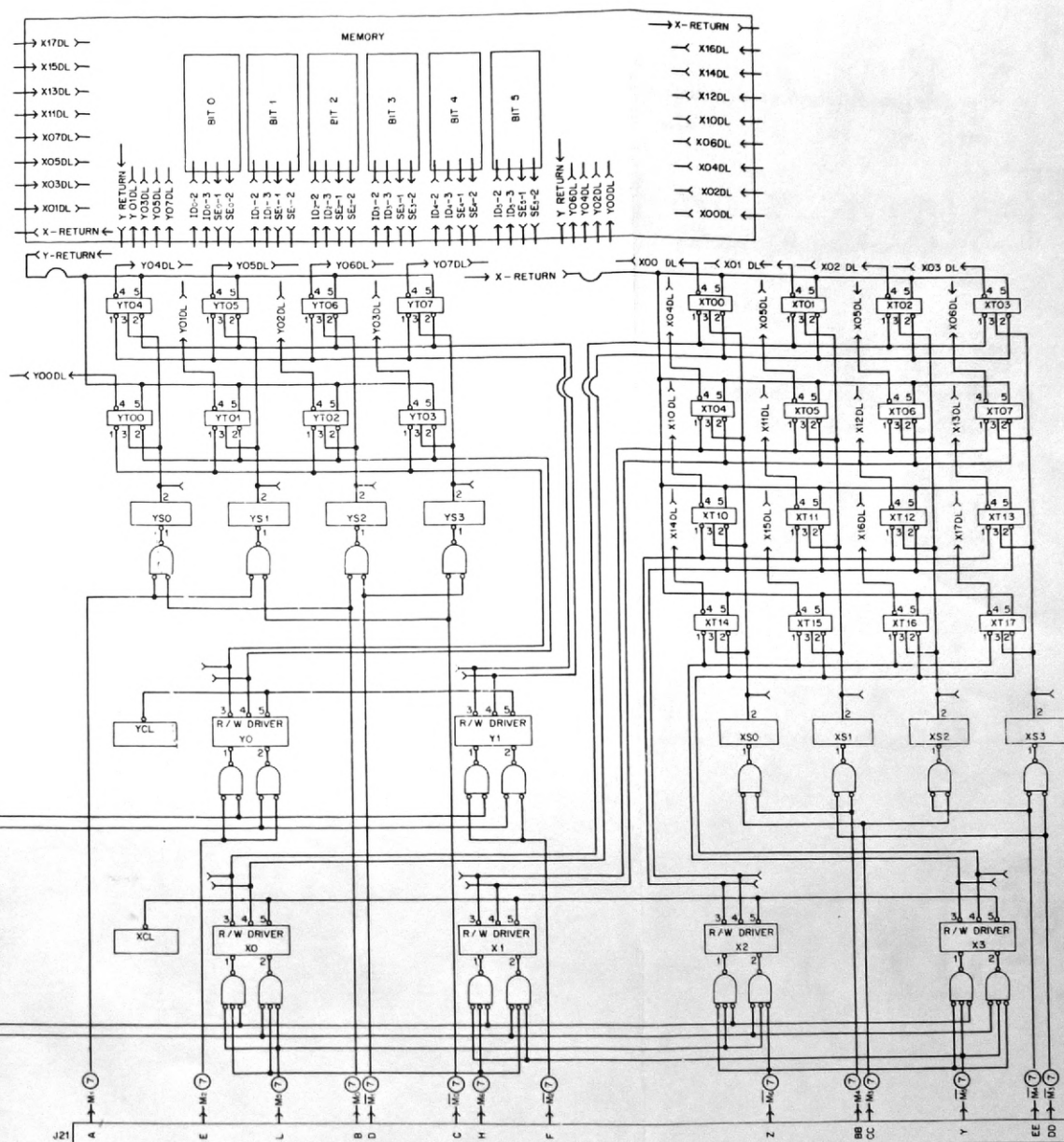
COPYRIGHTED 1965 & 1967 BY FABRI-TEK, INC.

WHAVERE ALL BURRS BREAK ALL SHARP CORNERS		FABRI-TEK [®] INCORPORATED MINNEAPOLIS, MINNESOTA	
DRAWN G. BATES	3-14-67	TITLE BOARD 7. MAIN CONTROL & M REG.	
CHECKED D. P.		APPROVED D. PARKES	3-29-67
APPROVED L. e. b. s.		BI-TRAN SIX	SCALE
DWG. NO. 11000-581		SHEET	



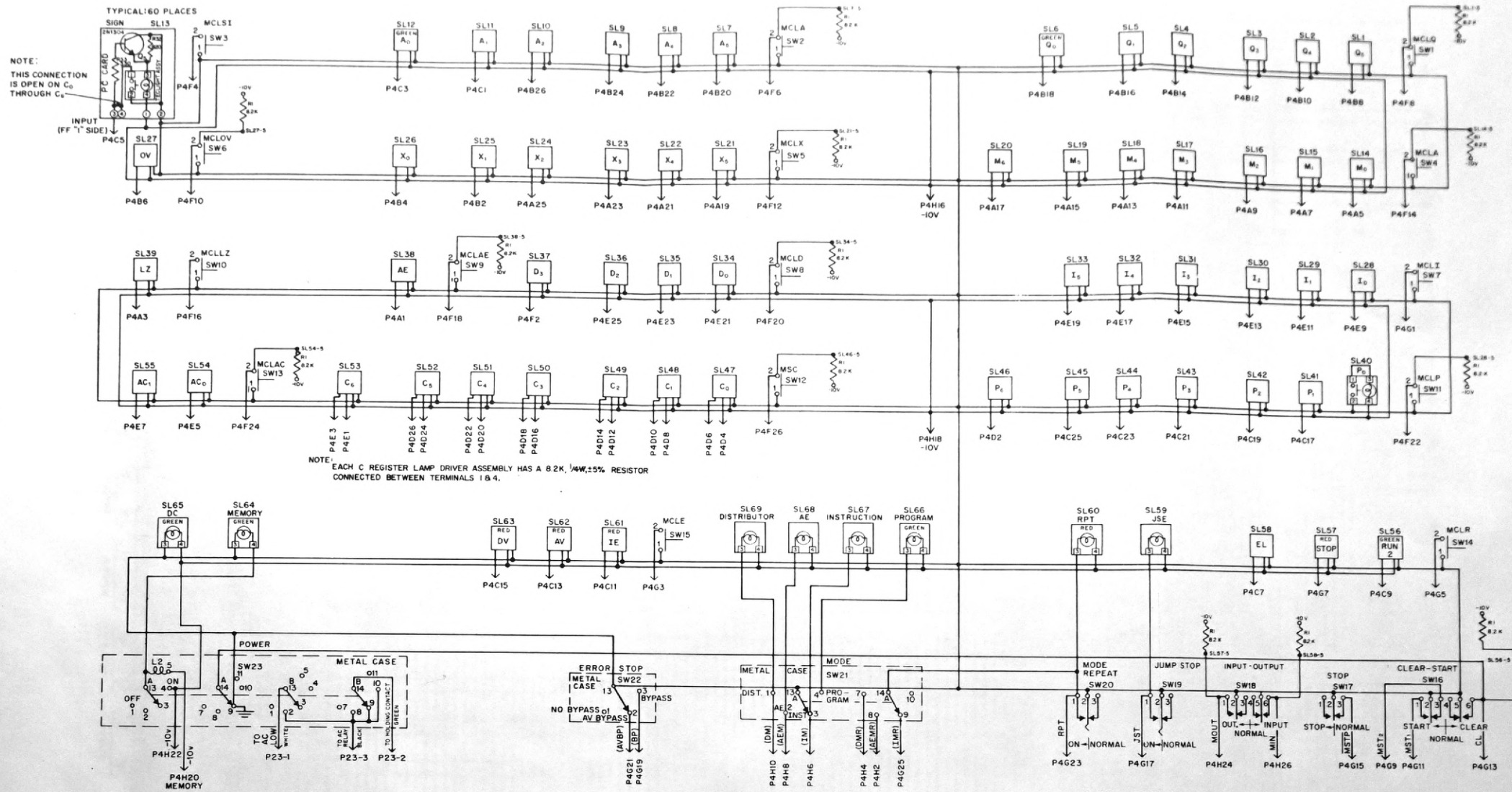
NOTES:

- 1 - DENOTES ISOLATION DIODE
- 2 - DENOTES CURRENT LOOP IN WIRE
- 3 - DL DENOTES DRIVELINE SELECTION
- 4 - SE DENOTES SENSE AMPLIFIER
- 5 - CIRCLED NUMBER INDICATES BOARD ON WHICH SIGNAL ORIGINATES



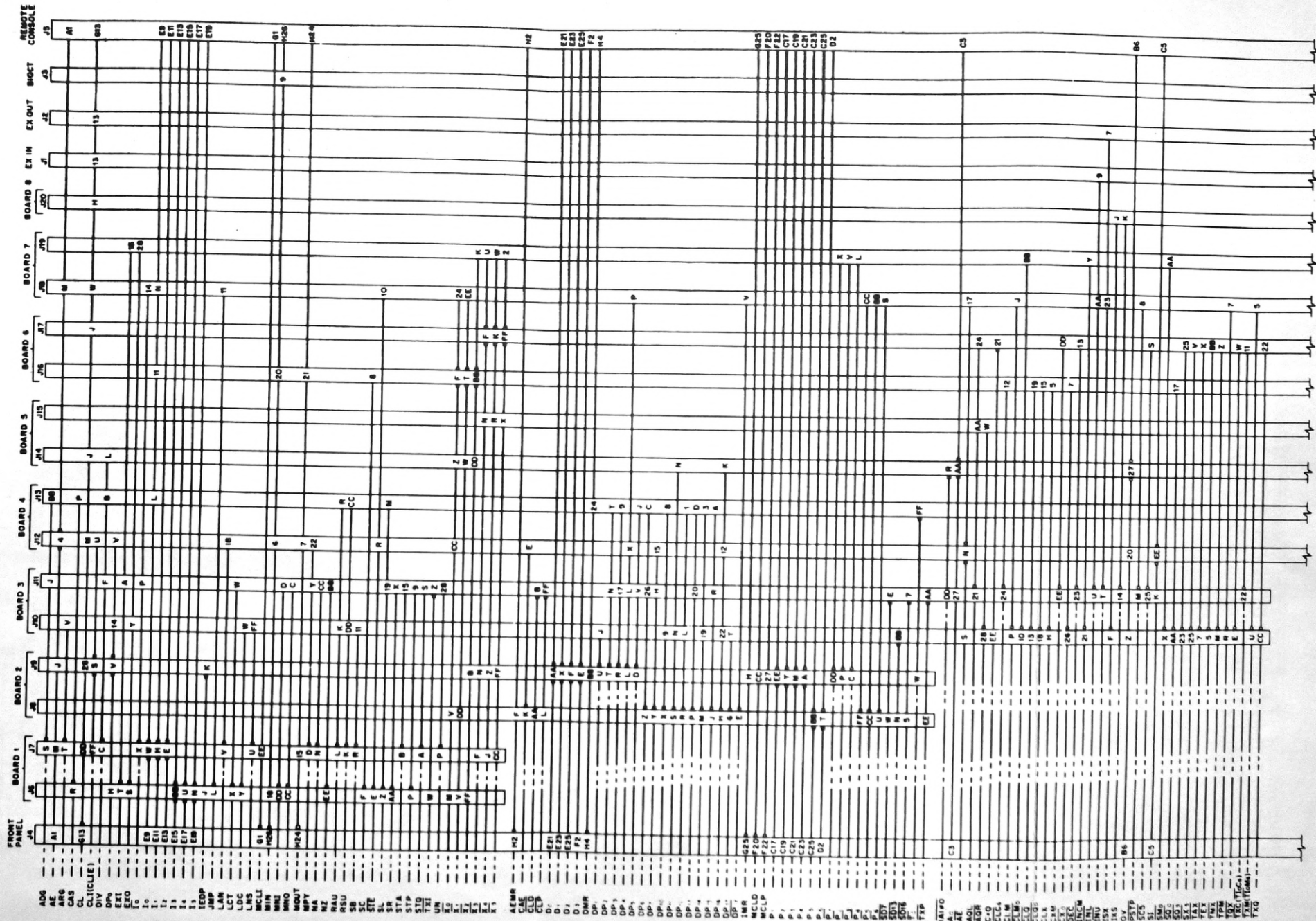
COPYRIGHTED 1965 & 1967 BY FABRI-TEK, INC

REMOVE ALL BURNS BREAK ALL SHARP CORNERS		FABRI-TEK [®] INCORPORATED MINNEAPOLIS, MINNESOTA	
DESIGNER G BATES	DATE 3/14/67	TITLE BOARD 8, MEMORY	
APPROVED PARKES	3-21-67	DRAWING NO. 11000-582	
APPROVED L. B. S.		SHEET	
BI-TRAN SIX		DATE IDENT.	SIZE
		NO.	DWG. NO.
		SCALE	



COPYRIGHTED 1965 & 1967 BY FABRI-TEK, INC.

REMOVE ALL BURRS BREAK ALL SHARP CORNERS		FABRI-TEK [®] INCORPORATED MINNEAPOLIS, MINNESOTA	
DRAWN G BATES	DATE 3-15-67	TITLE SCHEMATIC CONTROL PANEL	
DESIGNED C.K.L.	APPROVED DAREES	DATE 3-24-67	
BY L. S. B. G.			
BI-TRAN SIX	CONF. IDENT. SHEET NO.	DWG. NO. 12000 696	SHEET
	SCALE		

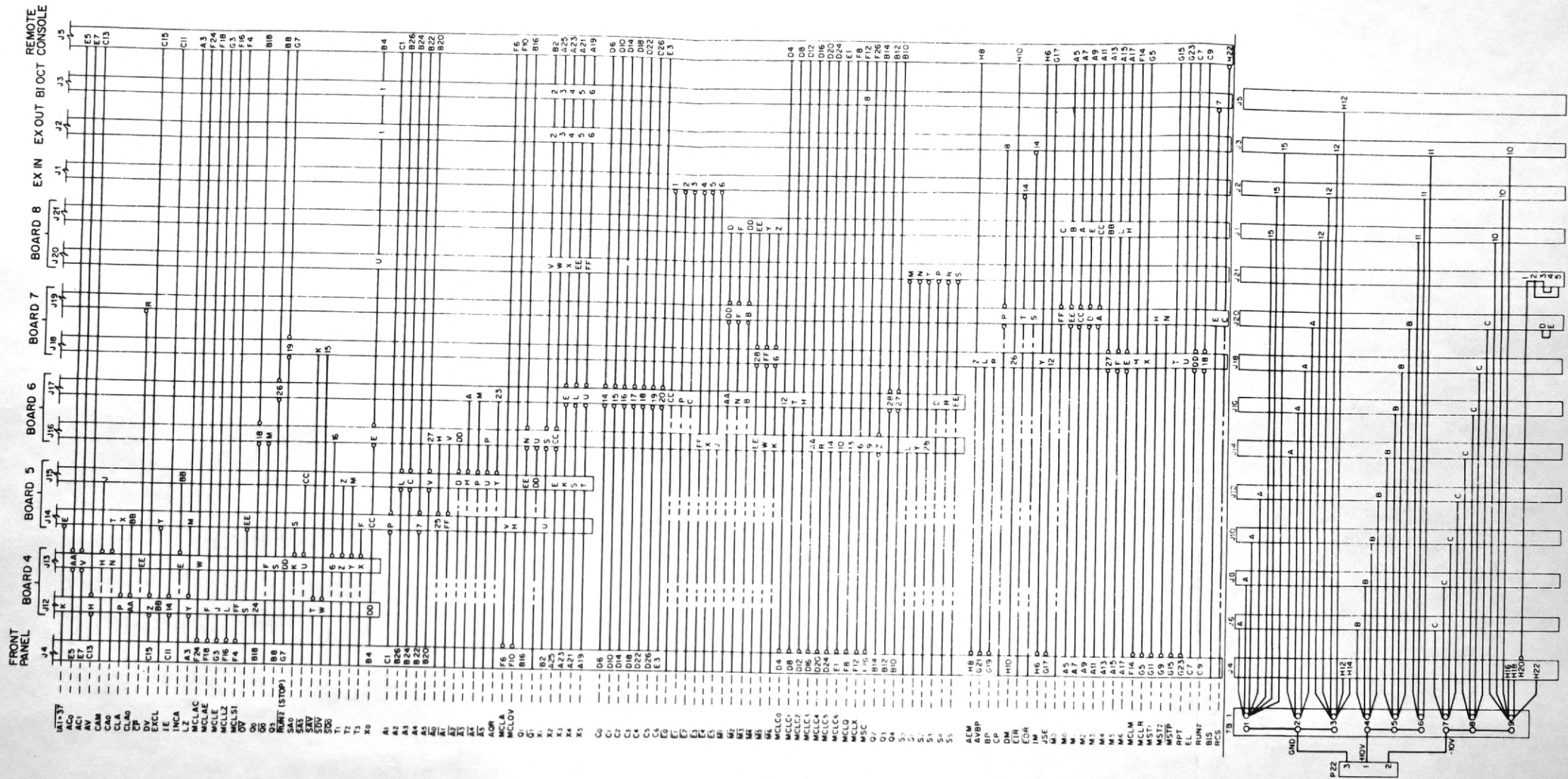


COPYRIGHTED 1965 & 1967 BY FABRI-TEK, INC.

REWORK ALL BUBBLES		G BATES		DATE	
BREAK AND REPAIR		3-29-67		5-18-67	
DESIGNED BY		PARKS		3-29-67	
DRAWN BY		LORRIS		3-29-67	
BI-TRAN SIX		SCALE		DRAWING NO. 12000-725	
				SHEET 1 OF 2	

FABRI-TEK INCORPORATED
MINNEAPOLIS, MINNESOTA

INTER BOARD WIRING DIAGRAM



COPYRIGHTED 1965 & 1967 BY FABRI-TEK, INC.

REMOVE ALL SHORTS		FABRI-TEK [®] INCORPORATED MINNEAPOLIS, MINNESOTA	
DESIGNER G BATES	DATE 3-14-67	TITLE INTER BOARD WIRING DIAGRAM	
CHECKER C K L	DATE 3-21-67	DWG NO. 12000-725	
APPROVER M R K E S	DATE 4-6-67	SCALE	
BI-TRAN SIX		SHEET 2 OF 2	