

GENERAL DESCRIPTION

The Digital Pathways Timing Control Unit (TCU-150) is a self supporting time keeper designed to operate in a small peripheral slot of the PDP-11.

- The Timing Control Unit is fully operational when it arrives at your premises and can be interrogated by the computer to give you the:
 - a) year, month and day
 - b) hour and minute
 - c) second
- The TCU continues to operate on its own rechargeable battery power, with the computer off, for a period of up to three months.
- The TCU is initialized by simple commands from the computer.
- TCU addresses are determined by jumpers.

		15	14	13	12	11	10	9	8	7	6	5	4	3	2	1	0
76XXX0	READ YR/MO/DAY	YEAR					MONTH			DAY							
	SET YR/MO/DAY	X	X	X	X	X	X	X	X	X	X	X	X	X	X	X	X
76XXX2	READ HR/MINS	X	X	X	HOUR			X	X	MINUTE							
	SET HR/MINS	X	X	X	X	X	X	X	X	X	X	X	X	X	X	X	X
76XXX4	READ SECONDS	X	X	X	X	X	X	X	X	X	SECOND						
	RESET FAST CLOCK	X	X	X	X	X	X	X	X	X	X	X	X	X	X	X	X
76XXX6	READ STATUS	REFER TO FIGURE 2															

Figure 1. Word Format

INTERROGATING THE TCU

The date and time are available to the user by simply addressing the TCU with 76XXX0 for Year/Month/Day, 76XXX2 for Hour/Minutes and 76XXX4 for Seconds. Figure 1 illustrates the address field used by the timer. No sequence of operations is required: any one of the three addresses will present the user with the date/time as a binary number.

You may want to interrogate the "ready bit (7)" of the status register (address 76XXX6) before reading the timer. The ready bit is in the 0 state only during the "set date, time" operation and is 1 at all other times.

INITIALIZING THE TCU

Initialization of the TCU-150 to the correct date and time is accomplished by means of the three "commands" SET YEAR/MONTH/DAY, SET HOUR/MINUTE and RESET FAST CLOCK, and a very simple software routine. Each of these commands is issued to the TCU-150 by writing any word into the appropriate address as listed in Figure 1.

The effect of the SET YEAR/MONTH/DAY command is to make the YEAR/MONTH/DAY counters cycle rapidly through all possible days, months and years in sequence.

The effect of the SET HOUR/MINUTE command is to make the HOUR/MINUTE counters cycle rapidly through all possible minutes and hours, in sequence. The SECOND counter is reset

during this operation.

The effect of the RESET FAST CLOCK command is to turn off the rapid cycling of either the YEAR/MONTH/DAY counters or the HOUR/MINUTE counter.

The procedure then for initializing either the YEAR/MONTH/DAY or HOUR/MINUTE counter is as follows:

1. Write the value desired in the correct format into some storage register in the PDP-11.
2. Issue either the SET YEAR/MONTH/DAY or SET HOUR/MINUTE command as appropriate.
3. Enter a software loop in which you compare the contents of your storage register with the YEAR/MONTH/DAY or HOUR/MINUTE values as read from either Address 76XXX0 or 76XXX2, respectively.
4. When the comparison is true, issue the RESET FAST CLOCK command.

As long as your software loop takes less than 30 microseconds for execution, the value set in the TCU-150 will now equal the desired value.

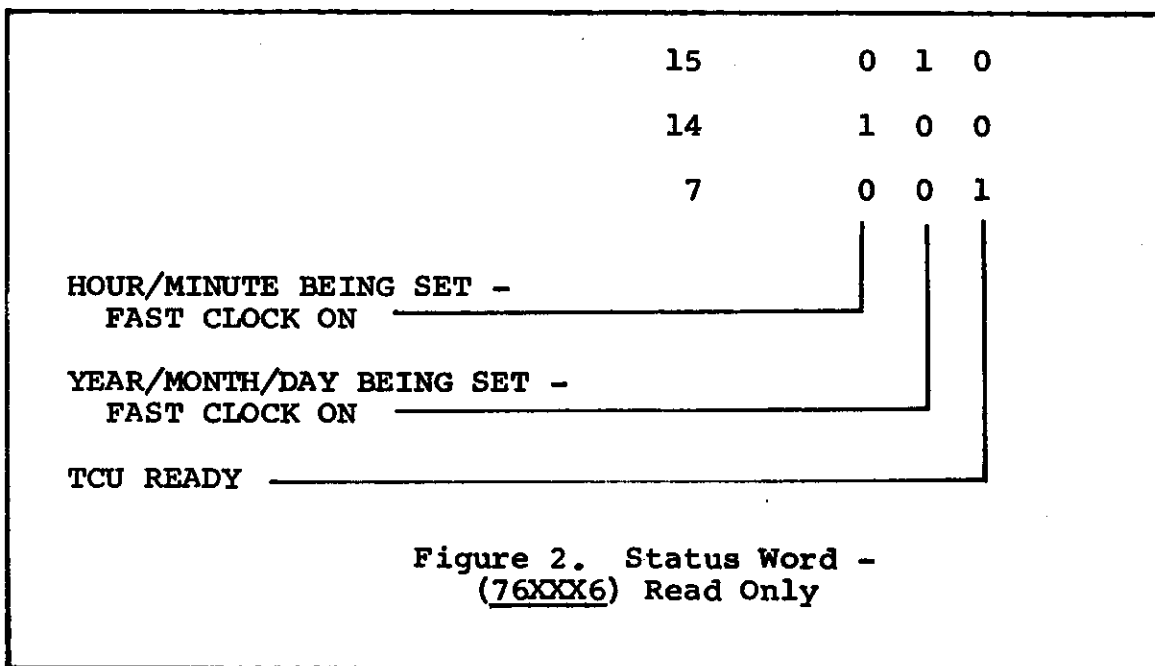
A sample software routine is given below.

SAMPLE PROGRAM

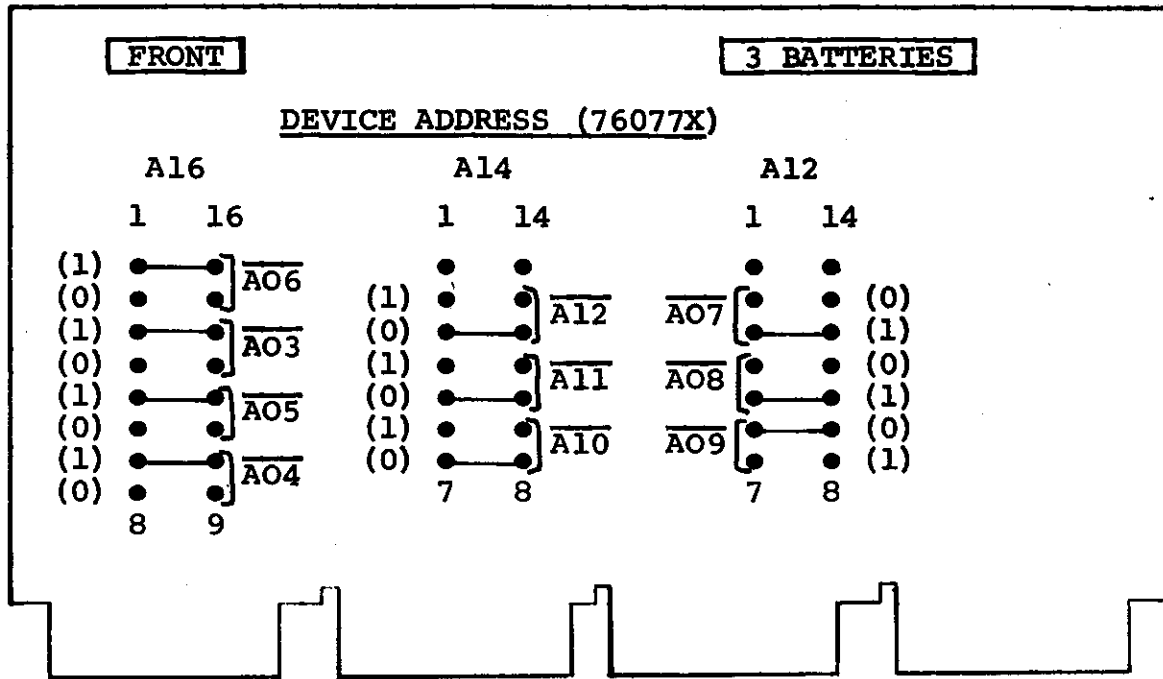
Set the TCU to August 26, 1978

```
START:  MOV #116432,RO      August 26, 1978
        MOV #76XXX0,R1     Device Address
        MOV RO,(R1)        Starts fast clock

AGIN:   CMP (R1),RO
        BNE AGIN
        MOV RO,@#76XXX4    Resets fast clock
        CMP (R1),RO        Is the correct date set?
        BNE START         Try again
        HLT                Date correct
```



TCU-150 JUMPERS



Note: Examples shown in paren.

SPECIFICATIONS

- Battery power - three 150mAH Nickel Cadium
- Operating life, without computer power - three months*
- Accuracy - ± 5 seconds per month*
- Current PDP-11 on - 400mA @ +5 volts*
- Current PDP-11 off - 20uA @ +3.5 volts*
- TCU requires four addresses
- Operating temperature - 0-50°C
- TCU address selected via jumpers

*at 40°C

WARRANTY

DIGITAL PATHWAYS, INC. hereby warrants each of its products to be free from defects in materials and/or workmanship for a period of 90 days from date of purchase. In the event of the occurrence of malfunction, or other indication of failure attributable directly to faulty workmanship and/or material, then upon return of the product to Digital Pathways, Inc. at 4151 Middlefield Road, Palo Alto, CA 94306 (postage prepaid), DPI will, at its option, repair or replace said products or components to whatever

extent DPI shall deem necessary, to restore said product to proper operating condition. All such repairs or replacements shall be made by DPI, without charge to the customer.

This warranty contains the limits of responsibility of DPI, with regard to its products, and no other liability is expressed, implied, or should be assumed by the purchaser.



DIGITAL PATHWAYS INC.

4151 MIDDLEFIELD ROAD • PALO ALTO, CALIFORNIA 94306
(415) 493-5544