

MASTER DRAWING LIST

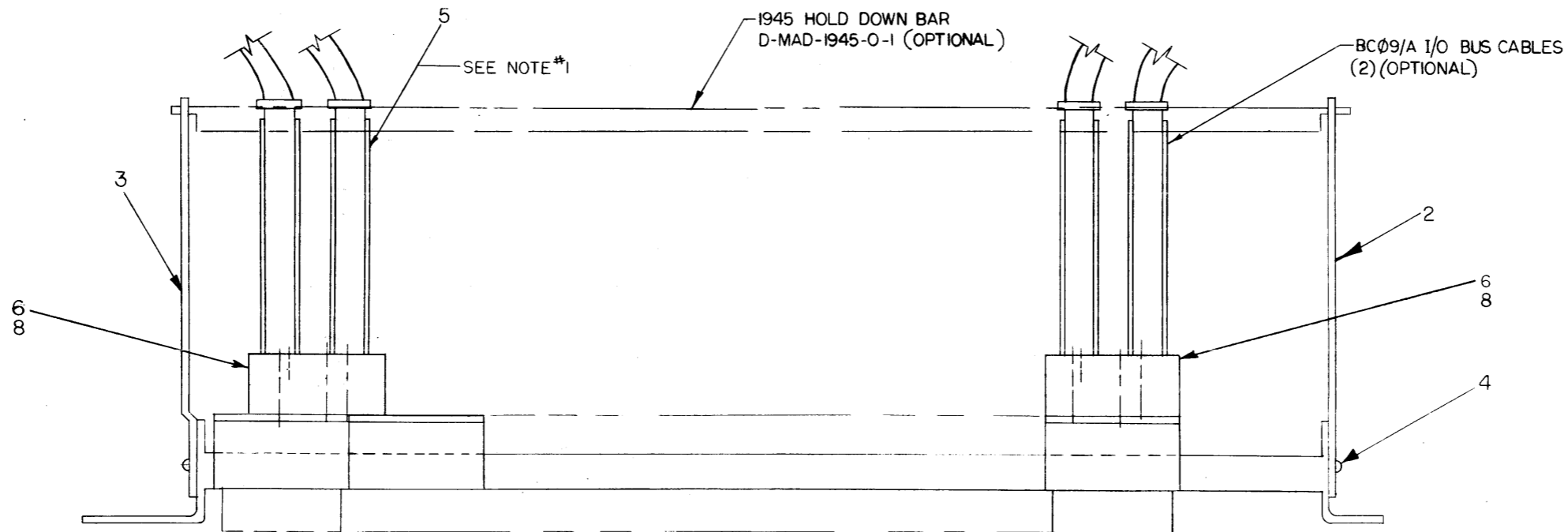
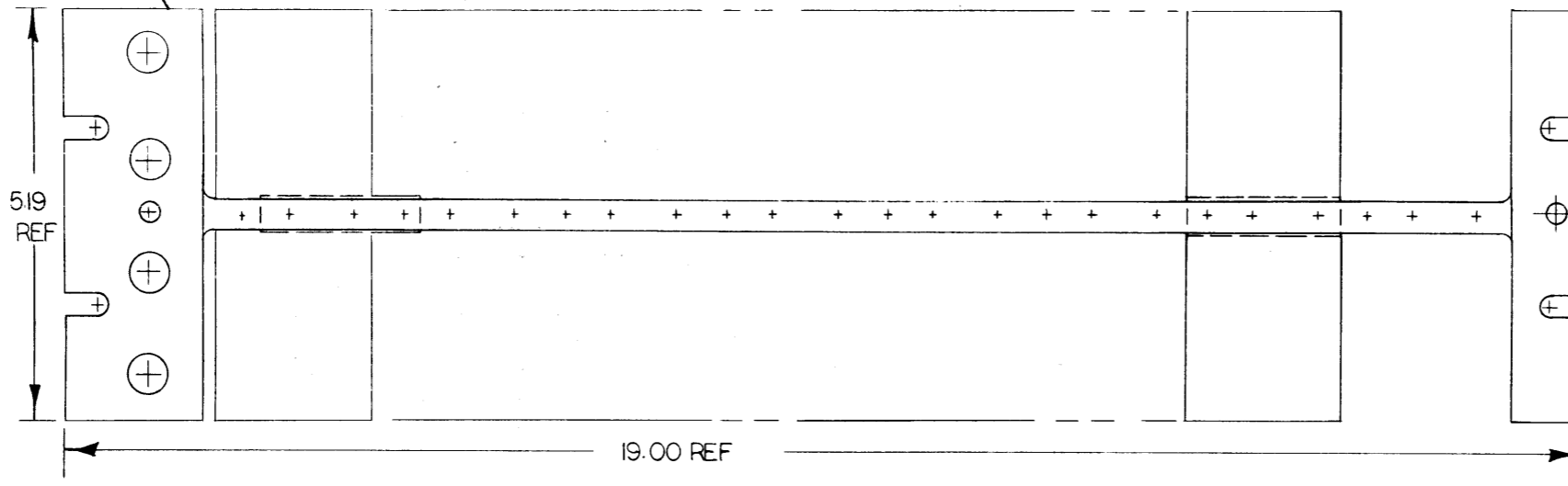
This drawing and specifications, herein, are the property of Digital Equipment Corporation and shall not be reproduced or copied or used in whole or in part as the basis for the manufacture or sale of items without written permission.

DWG. NO.	REV. LET.	NO. OF SHEETS	TITLE
D-UA-DW15-A-0	B	1	POS TO NEG BUS ADAPTER DW15-A
A-PL-DW15-A-0	B	1	POS TO NEG UBS ADAPTER DW15-A
D-BS-DW15-A-1		1	BI DIRECT I/O BUS
D-BS-DW15-A-2		1	BI DIRECT I/O BUS
D-BS-DW15-A-3	C	1	AP DCH RQ + BI BS CON
D-BS-DW15-A-4	A	1	API + DCH ENABLES
D-BS-DW15-A-5		1	API + DCH GRANTS
D-BS-DW15-A-6		1	I/O ADDR 03-10
D-BS-DW15-A-7		1	I/O ADDR 11-17
D-BS-DW15-A-8		1	ONE WAY SIGNALS
D-BS-DW15-A-9		1	POSITIVE INPUT CABLES
D-BS-DW15-A-10		1	POSITIVE BUS CABLES
D-BS-DW15-A-11		1	NEGATIVE BUS CABLES
D-MU-DW15-A-12	C	3	MODULE UTILIZATION
A-PL-DW15-A-12	C	1	MODULE UTILIZATION (PARTS LIST)
K-WL-DW15-A-13	C	1	WIRE LIST
D-DI-DW15-A-14	B	1	DWG INDEX LIST DW15-A
D-AD-7006257-0-0		1	WIRED ASSY DW15-A
A-PL-7006257-0-0		1	WIRED ASSY DW15-A
A-SP-DW15-A-15		13	ENGINEERING SPECIFICATIONS

REVISIONS				DRN.	DATE	digital EQUIPMENT CORPORATION <small>MAYNARD, MASSACHUSETTS</small>					
REV.	DATE	CHG. NO.	APP'D.	CHK'D.	DATE						
A	10/69	00001	J.P.	<i>Carroll</i>	8/25/69	TITLE POS TO NEG BUS ADAPTER DW15-A					
B	11/69	00002	J.P.		4/1/69						
C	3/70	DW15A-3	J.P.	<i>J. Pratt</i>	9/8/69						
D	9/70	DW15A-4	J.P.								
E	12/70	Misc.80 DW15A-5	J.P.	<i>J. Pratt</i>	9/8/69						
				PROD.	DATE						
				FIRST USED ON	DATE						
				DW15-A	9/9/69						
				SCALE	NONE	SIZE	CODE	NUMBER	REV.		
				SHEET	1	OF	1	A	ML	DW15-A	F
				DIST.							

This drawing and specifications, herein, are the property of Digital Equipment Corporation and shall not be reproduced or copied or used in whole or in part as the basis for the manufacture or sale of items without written permission.

NOTES:
1. REFER TO D-AR-PDP15-0-2 FOR LENGTHS OF BC09B CABLE.



TOLEPANCES
DECIMALS

XXX	=	.005
.XX	=	.02
.X	=	.1

FIRST USED ON DW15-A	QTY.	DESCRIPTION	PART NO.	ITEM NO.
PARTS LIST				
UNLESS OTHERWISE SPECIFIED	DRN	DATE	digital EQUIPMENT CORPORATION MAYNARD, MASSACHUSETTS	
UNLESS OTHERWISE SPECIFIED	CHK'D	DATE	TITLE	
DIMENSION IN INCHES	DATE	DATE	POSITIVE TO NEGATIVE BUS ADAPTER DW15-A	
TOLERANCES	ENG	DATE	NEXT HIGHER ASSY	
ANGLES ± 0°30'	DATE	DATE	A-ML-DW15-A	
FINAL SURFACE QUALITY / REMOVE BURRS AND BREAK SHARP CORNERS	PROJ/ENG.	DATE	SCALE	
	DATE	DATE	SHEET	
MATERIAL	PROD.	DATE	SIZE CODE NUMBER	
— / — / —			DUA DW15-A-0	
FINISH			REV. B	
— / — / —			DIST. C	

REVISIONS	REV.	DATE
CHANGE NO.	A	
DW15A-00003		
PRATT		
MISC-00080	B	
AUMANN		

DEC FORM NO. DRD 100

DUA DW15-A-0

DIGITAL EQUIPMENT CORPORATION
MAYNARD, MASSACHUSETTS

PARTS LIST

MADE BY A. RAIMONDI	CHECKED <i>R. Conwell</i>	SECTION 1
DATE 3/26/69	DATE 4/1/69	ISSUED SECT. 1
ENG <i>John F. Platt</i> 9/8/69	PROD <i>F. Furlong</i> 9/9/69	
DATE	DATE	

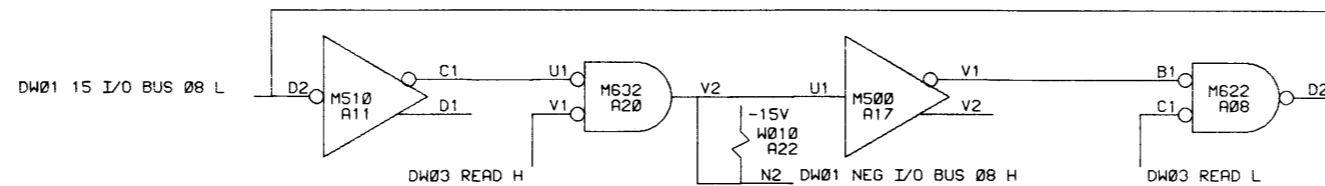
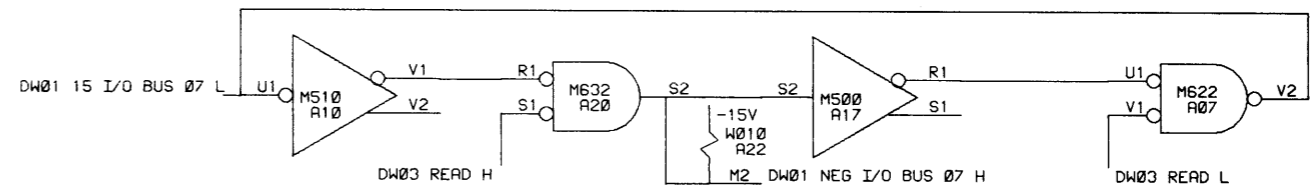
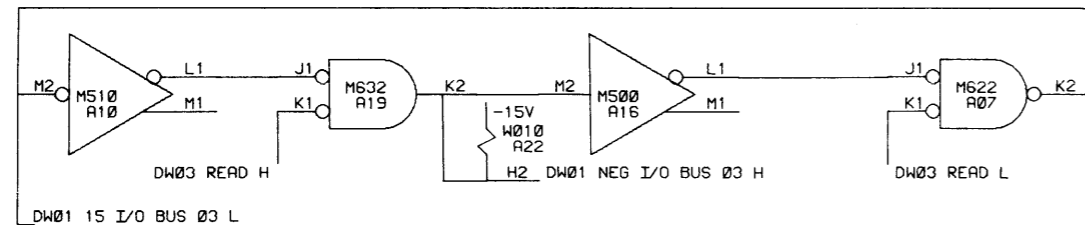
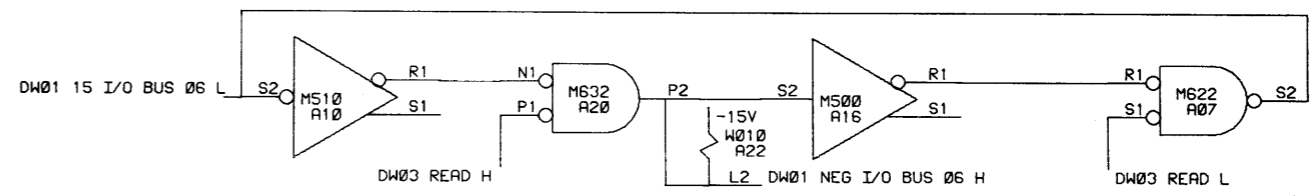
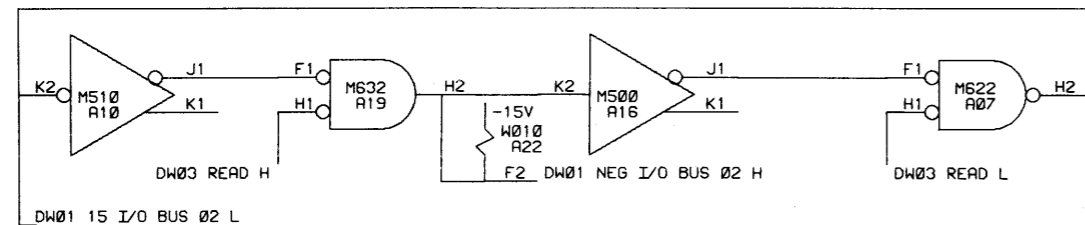
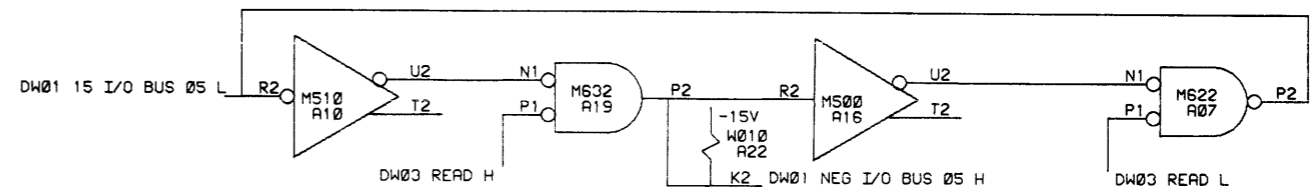
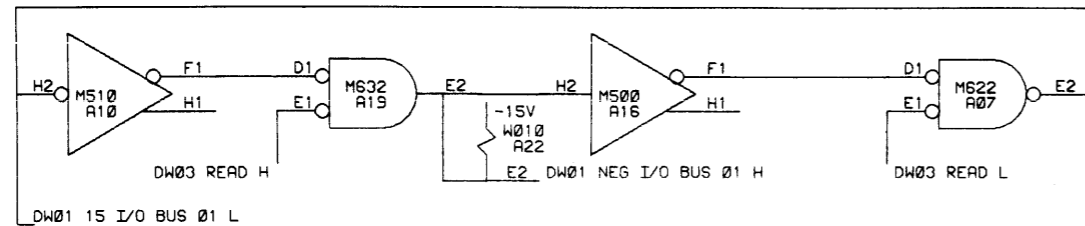
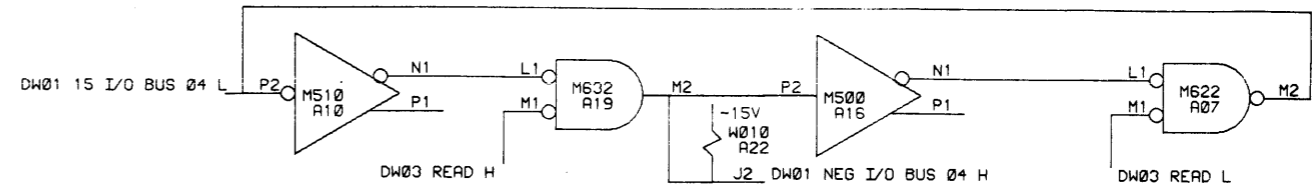
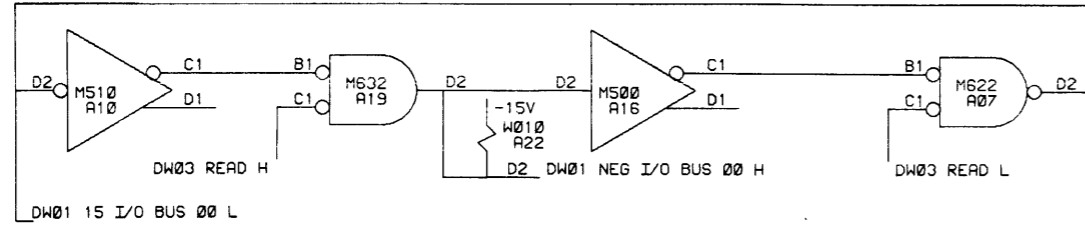
QUANTITY / VARIATION

ITEM NO.	DWG NO. / PART NO.	DESCRIPTION	DW15-A											
1	D-AD-7006257-0-0	WIRED ASSY DW15-A	1											
2	C-MD-5302486-0-0	RIGHT END PANEL	1											
3	C-MD-5302485-0-0	LEFT END PANEL	1											
4	90-06507	POP RIVET #AD44 BS	8											
5	D-UA-BC09B-0-0	M912 TO M912 CABEE	2											
6	D-SC-1209850-0-0	NYLON RETAINER BLOCK	2											
7	D-SC-1209850-0-0	NYLON RETAINER BLOCK	2											
8	9007799	SCR, FILL HD 8-32 x 1-1/2 LG	6											

TITLE POS TO NEG BUS ADAPTER DW15-A	ASSY NO. D-UA-DW15-A-0	SIZE A	CODE PL	NUMBER DW15-A-0	REV. B	ECO NO. MISC-00080
	SHEET 1 OF 1	DIST. G				

DEC FORM NO. DRA 110

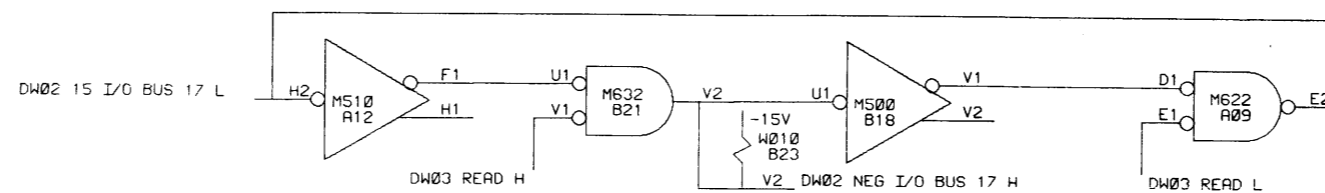
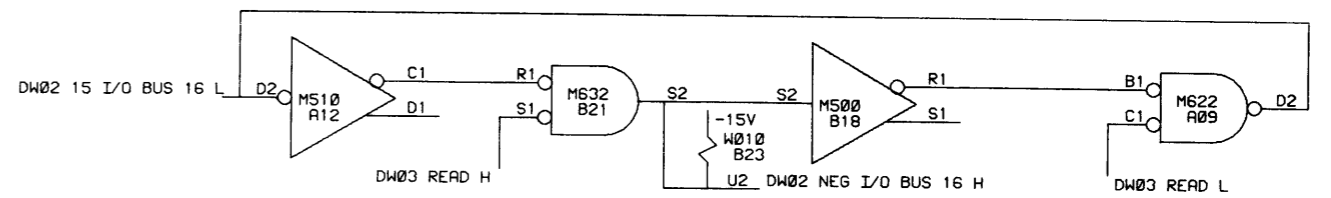
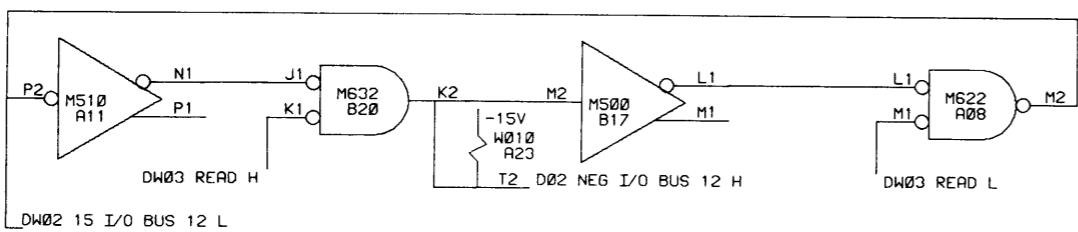
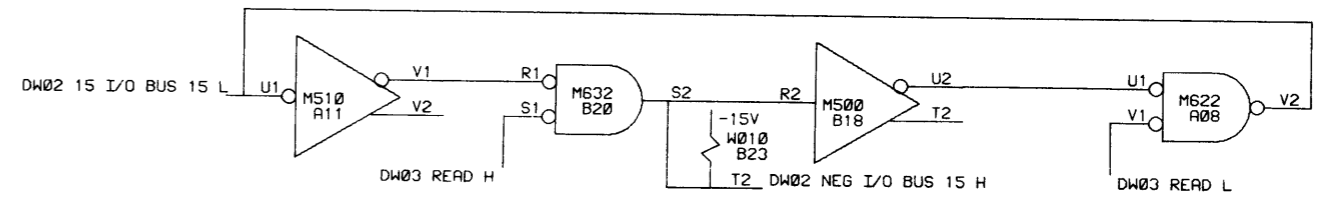
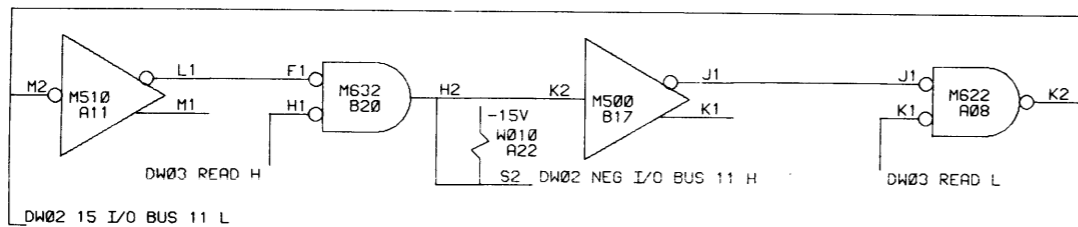
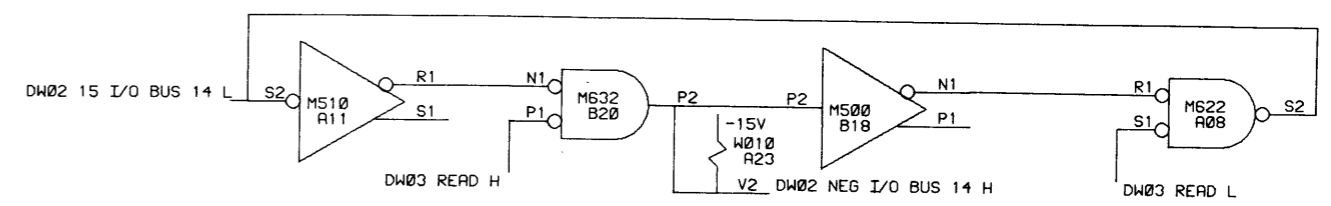
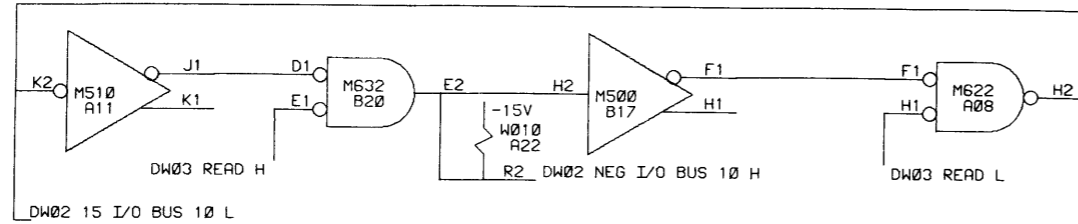
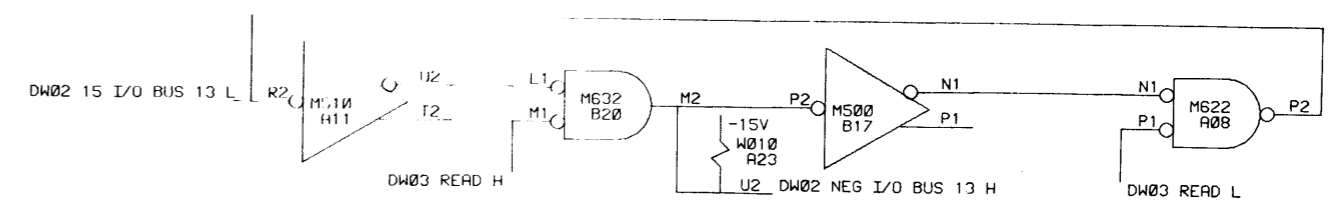
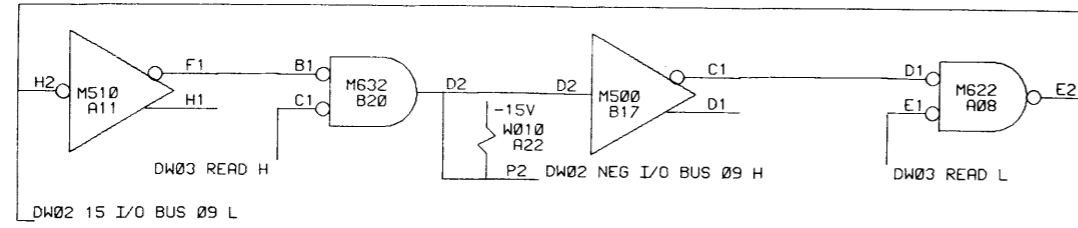
This drawing and specifications, herein, are the property of Digital Equipment Corporation and shall not be reproduced or copied or used in whole or in part as the basis for the manufacture or sale of items without written permission.



REVISIONS		
CHK	CHANGE NO.	REV.

DRN K BOGGS	DATE 7-3-69	digital EQUIPMENT CORPORATION MAYNARD, MASSACHUSETTS
CHK'D N RHEAULT	DATE 8-3-69	
ENG. J PRATT	DATE 9-3-69	TITLE BI DIRECT I/O BUS 0-8
PROJ. ENG. J PRATT	DATE 9-3-69	
PRDD. F LASKEY	DATE 7-9-69	
FIRST USED ON DW15	SIZE CODE D BS	NUMBER DW15-A-01
SCALE	DIST.	REV. 00
SHEET	OF	

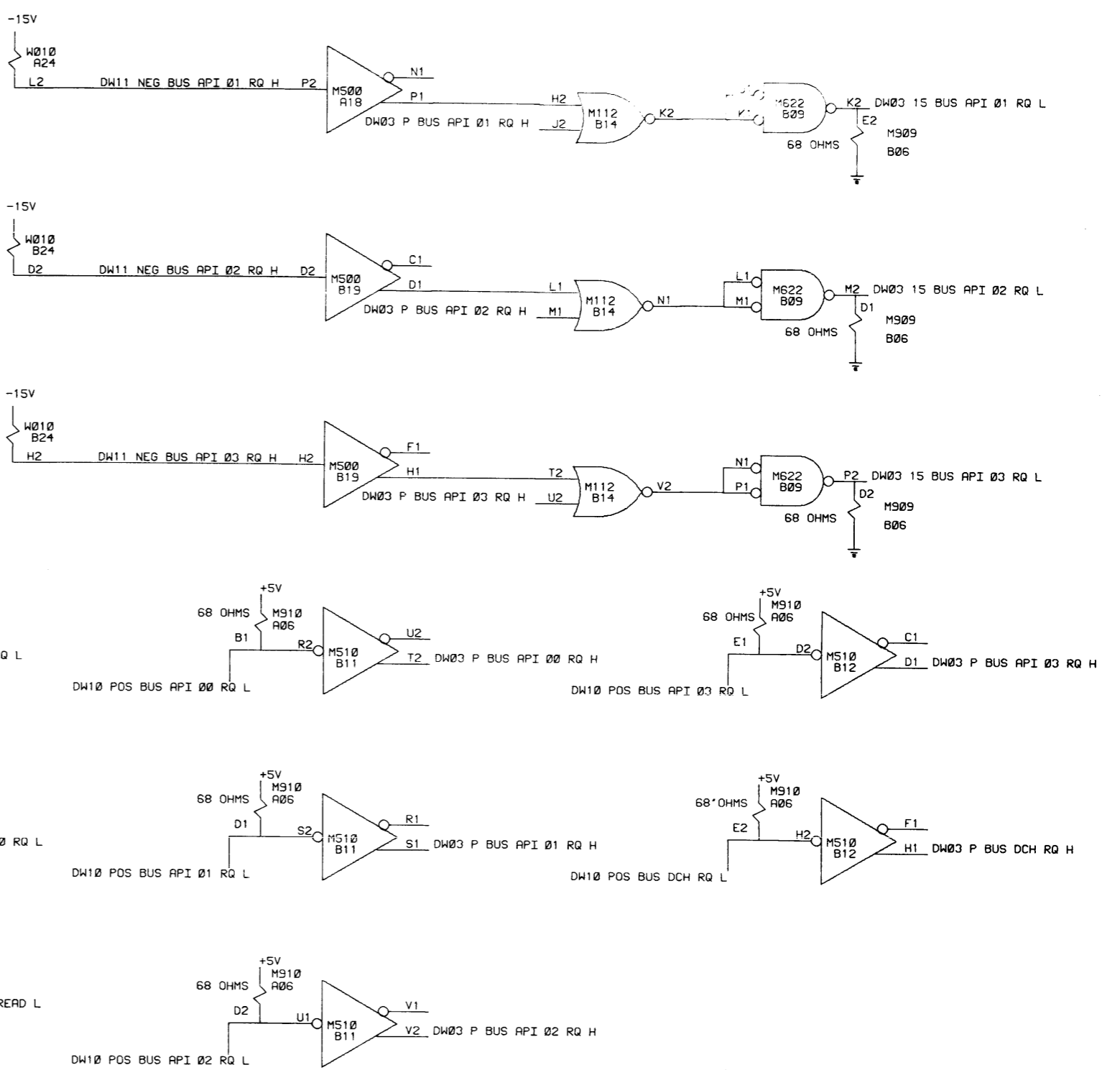
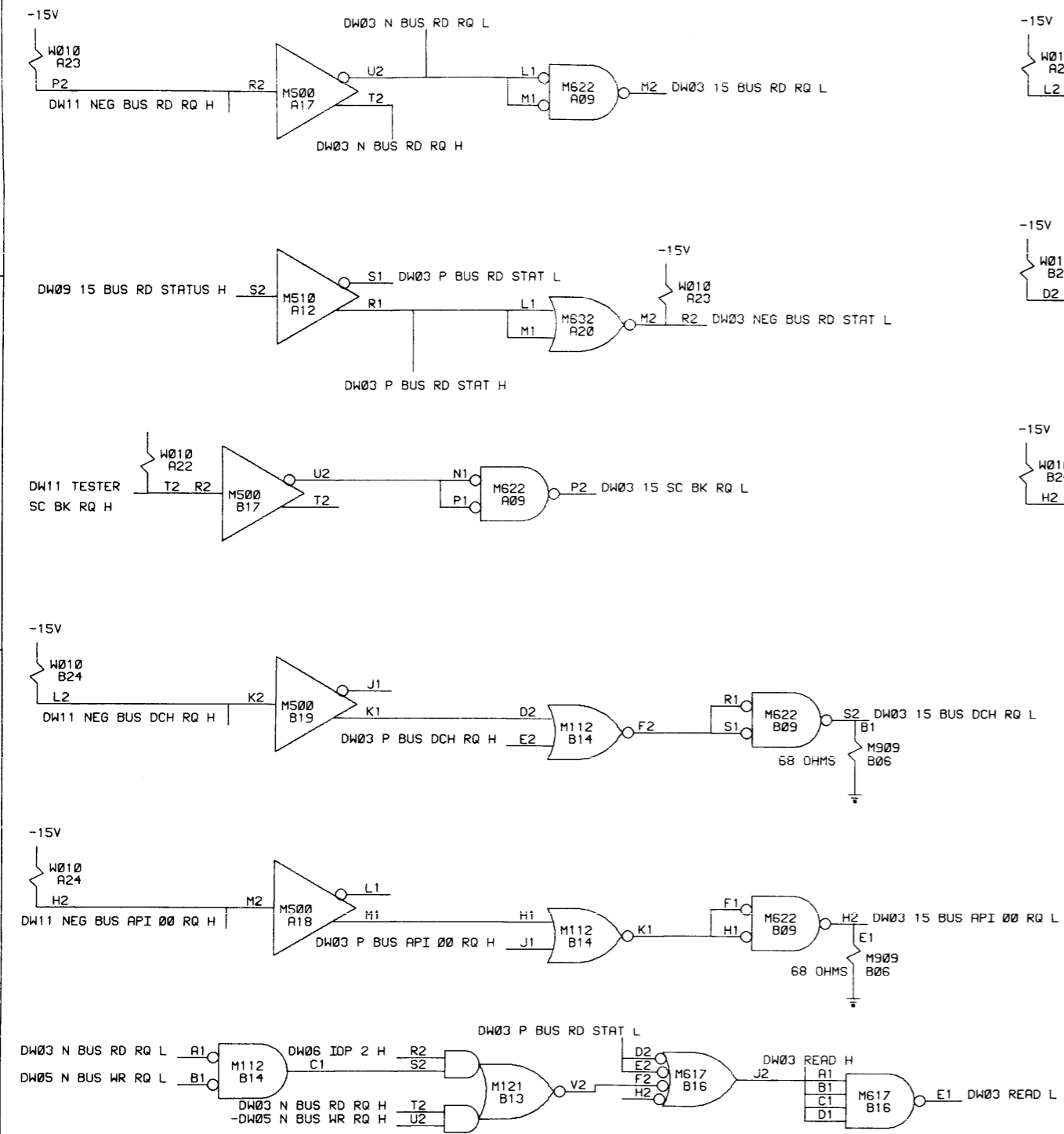
This drawing and specifications herein are the property of Digital Equipment Corporation and shall not be reproduced or copied or used in whole or in part as the basis for the manufacture or sale of items without written permission.



REVISIONS		
CHK	CHANGE NO.	REV.

DRN. K ROGGS	DATE 9-3-69	digital EQUIPMENT CORPORATION MAYNARD, MASSACHUSETTS
CHK'D. N RHEAULT	DATE 9-3-69	
ENG. J PRATT	DATE 9-3-69	TITLE BI DIRECT I/O BUS 9-17
PROJ. ENG. J PRATT	DATE 9-3-69	
PROD. F LASKEY	DATE 9-9-69	
FIRST USED ON		
DW15	SIZE CODE D BS	NUMBER DW15-A-02
SCALE	DIST.	REV. 00
SHEET 1 OF 1		

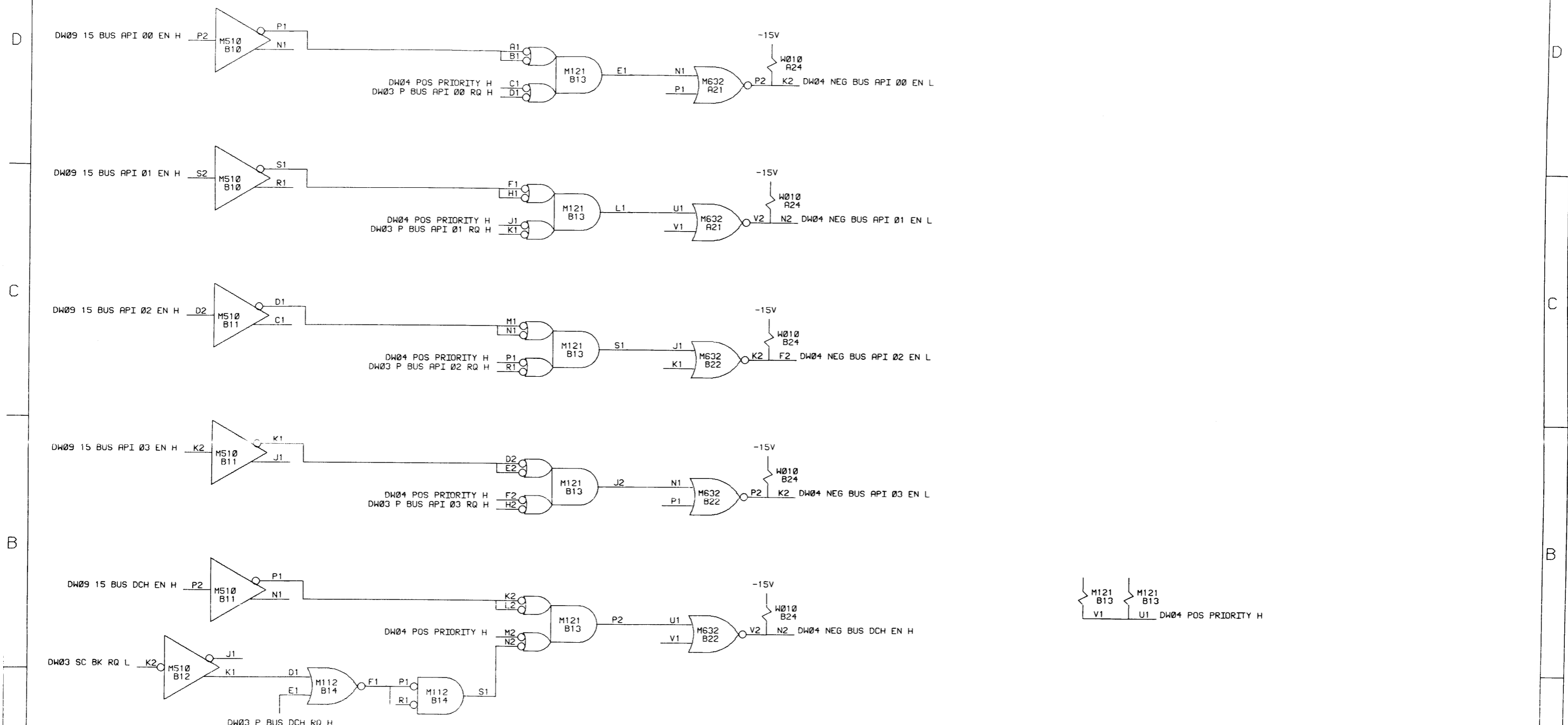
This drawing and specifications, herein, are the property of Digital Equipment Corporation and shall not be reproduced or copied in whole or in part as the basis for the manufacture or sale of items without written permission.



REVISIONS		
CHK	CHANGE NO.	REV.
AN	DW15A-00001	A
	K KRYSIAK	
	J PRATT	
AN	DW15A-00003	B
	K KRYSIAK	
	J PRATT	
	DW15A-00004	C

DRN. K BOGGS	DATE 9-3-69	digital EQUIPMENT CORPORATION MAYNARD, MASSACHUSETTS
CHKD. N RHERULT	DATE 9-3-69	
ENG. J PRATT	DATE 9-3-69	TITLE
PROJ. ENG. J PRATT	DATE 9-3-69	AP DCH RQ+BI DI BS CON
PROD. F LHSKLY	DATE 9-9-69	
FIRST USED ON		
DW15	SIZE CODE	NUMBER
SCALE	D BS	DW15-A-03
SHEET 1 OF 1	DIST.	REV. C

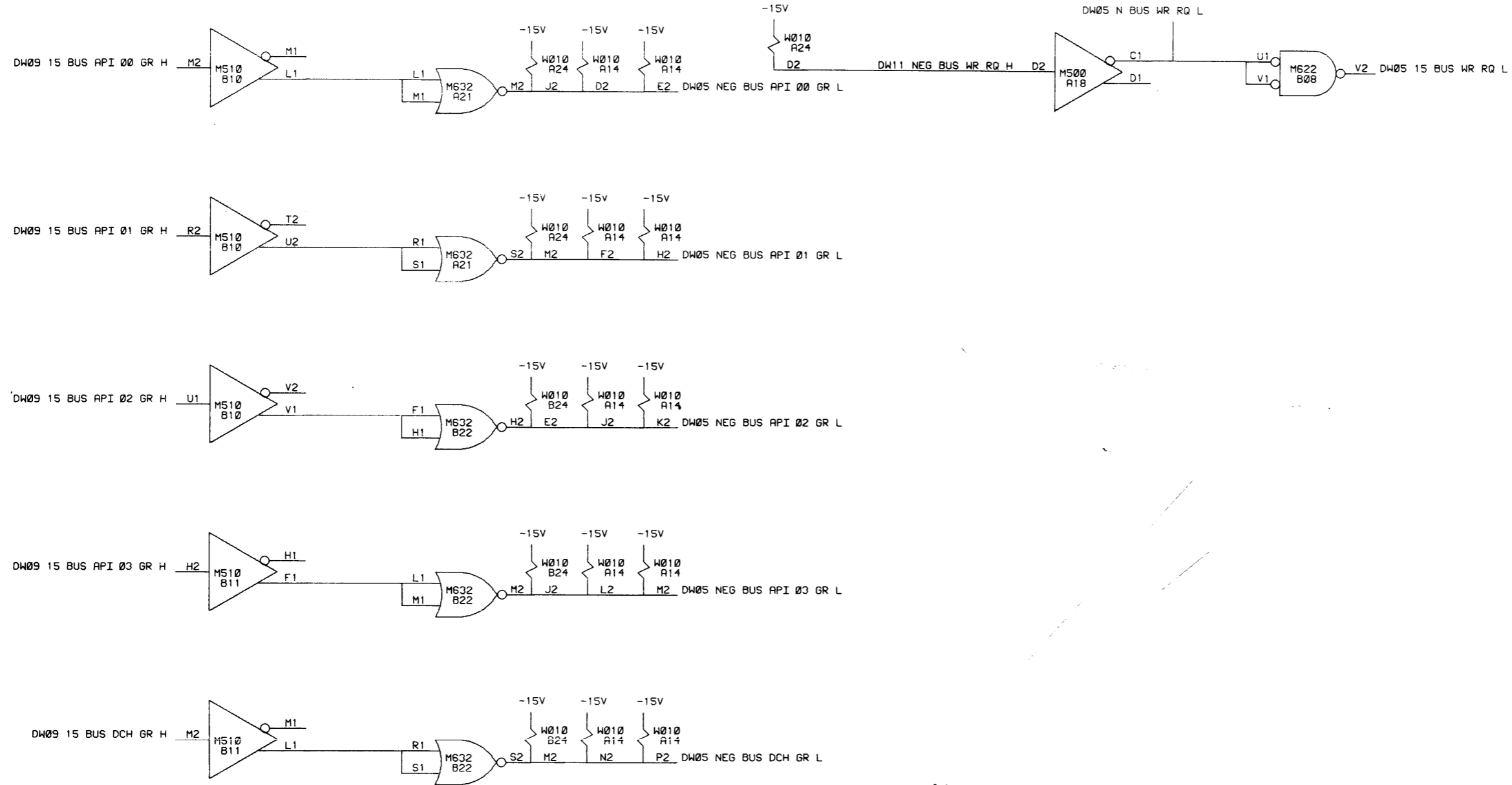
This drawing and specifications, herein, are the property of Digital Equipment Corporation and shall not be reproduced or copied in whole or in part as the basis for the manufacture or sale of items without written permission.



REVISIONS		
CHK	CHANGE NO.	REV.
	DW15A-00004	A

DRN. K BOGGS	DATE 5/3/69	 MAYNARD, MASSACHUSETTS TITLE API + DCH ENABLES
CHKD. N RHEAULT	DATE 5/13/69	
ENG. J PRATT	DATE 5/13/69	
PROJ. ENG. J PRATT	DATE 5/13/69	
PROD. F LASKEY	DATE 5/19/69	
FIRST USED ON DW15		
SCALE D BS	NUMBER DW15-A-04	REV. A
SHEET 1 OF 1	DIST.	

This drawing and specifications, herein, are the property of Digital Equipment Corporation and shall not be reproduced or copied or used in whole or in part as the basis for the manufacture or sale of items without written permission.

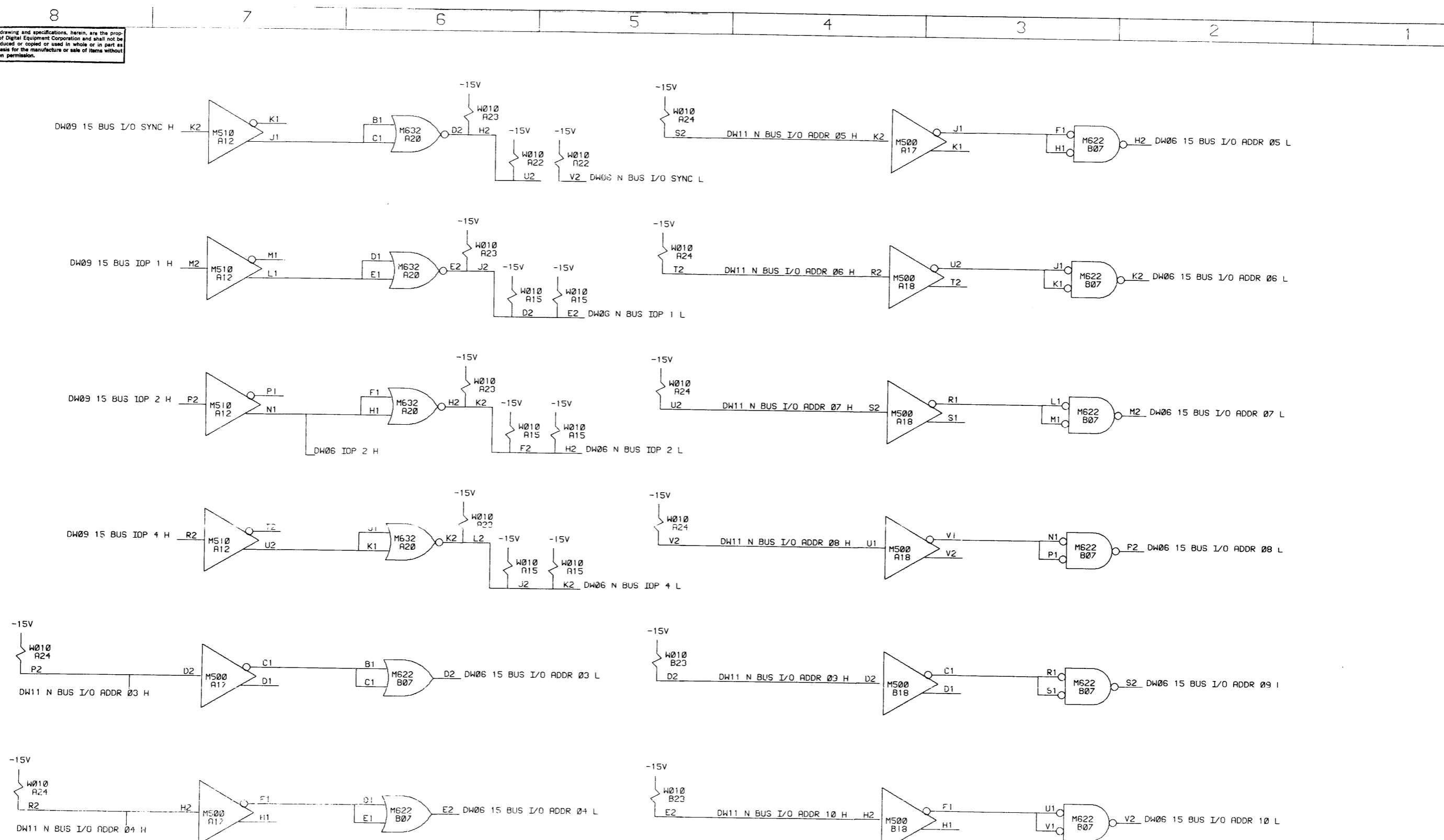


REVISIONS		
CHK	CHANGE NO.	REV.

DRN <i>K BOGGS</i>	DATE 9-3-69	 digital EQUIPMENT CORPORATION MAYNARD, MASSACHUSETTS
CHK'D <i>N RHEAULT</i>	DATE 9-3-69	
ENG <i>J PRATT</i>	DATE 9-3-69	
PROJ. ENG <i>J PRATT</i>	DATE 9-3-69	
PROD. <i>F LASKEY</i>	DATE 9-9-69	
FIRST USED ON DW15		TITLE API + DCH GRANTS
SCALE D BS	NUMBER DW15-A-05	REV. 00
SHEET 1 OF 1	DIST.	

1112

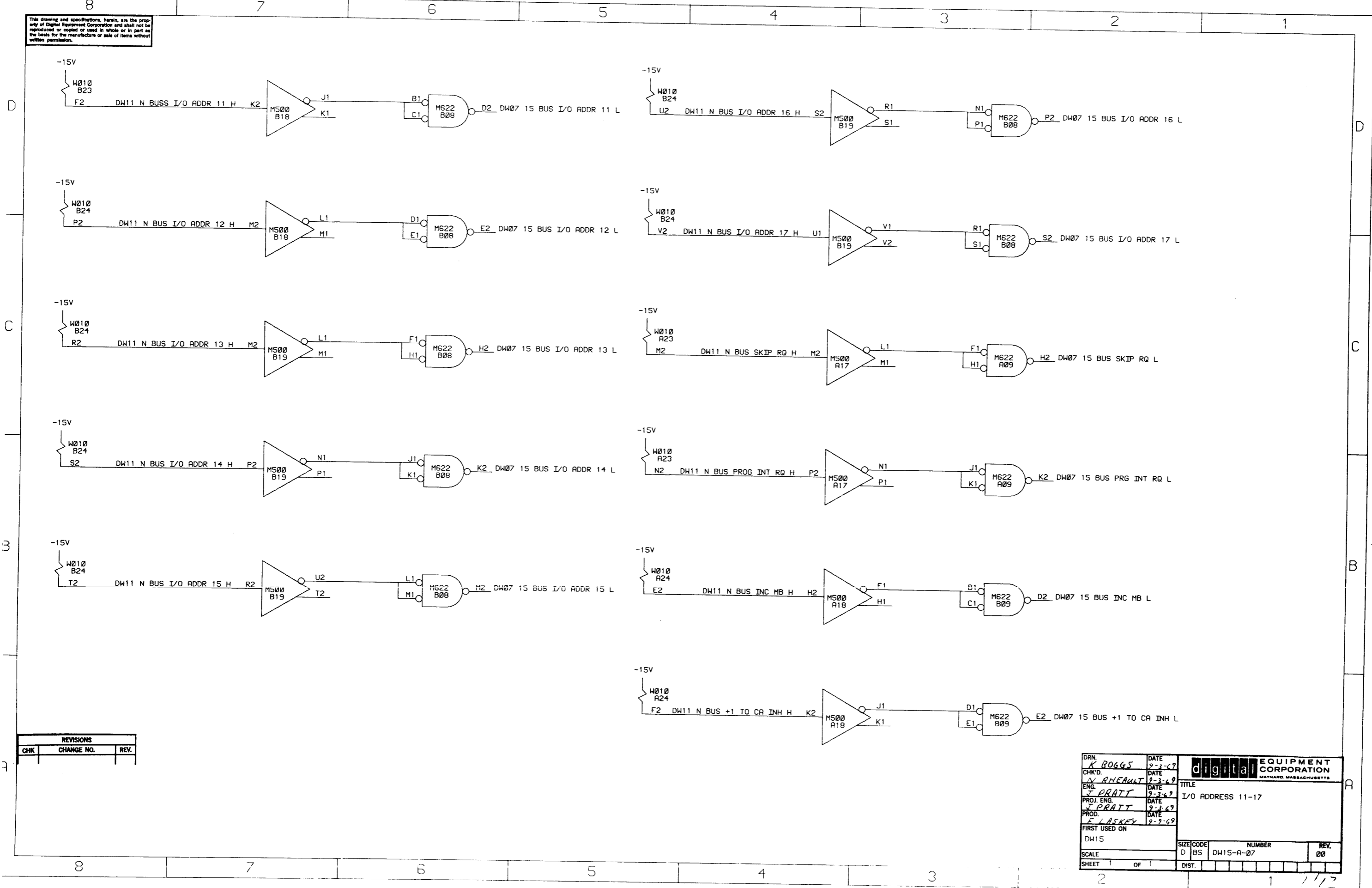
This drawing and specifications, herein, are the property of Digital Equipment Corporation and shall not be reproduced or copied or used in whole or in part as the basis for the manufacture or sale of items without written permission.



REVISIONS		
CHK	CHANGE NO.	REV.

DRN <i>K. BOGGS</i>	DATE 8-2-69		TITLE I/O ADDRESS 3-10
CHK'D <i>N. HEAL</i>	DATE 8-3-69		
ENG. <i>J. PRATT</i>	DATE 8-3-69		
PROJ. ENG. <i>J. PRATT</i>	DATE 8-3-69		
PRD. <i>L. LASKEY</i>	DATE 8-2-69		
FIRST USED ON DW15	SCALE D BS	SIZE/CODE D BS	NUMBER DW15-A-06
SHEET 1 OF 1	DIST.	REV. 00	

This drawing and specifications, herein, are the property of Digital Equipment Corporation and shall not be reproduced or copied or used in whole or in part as the basis for the manufacture or sale of items without written permission.

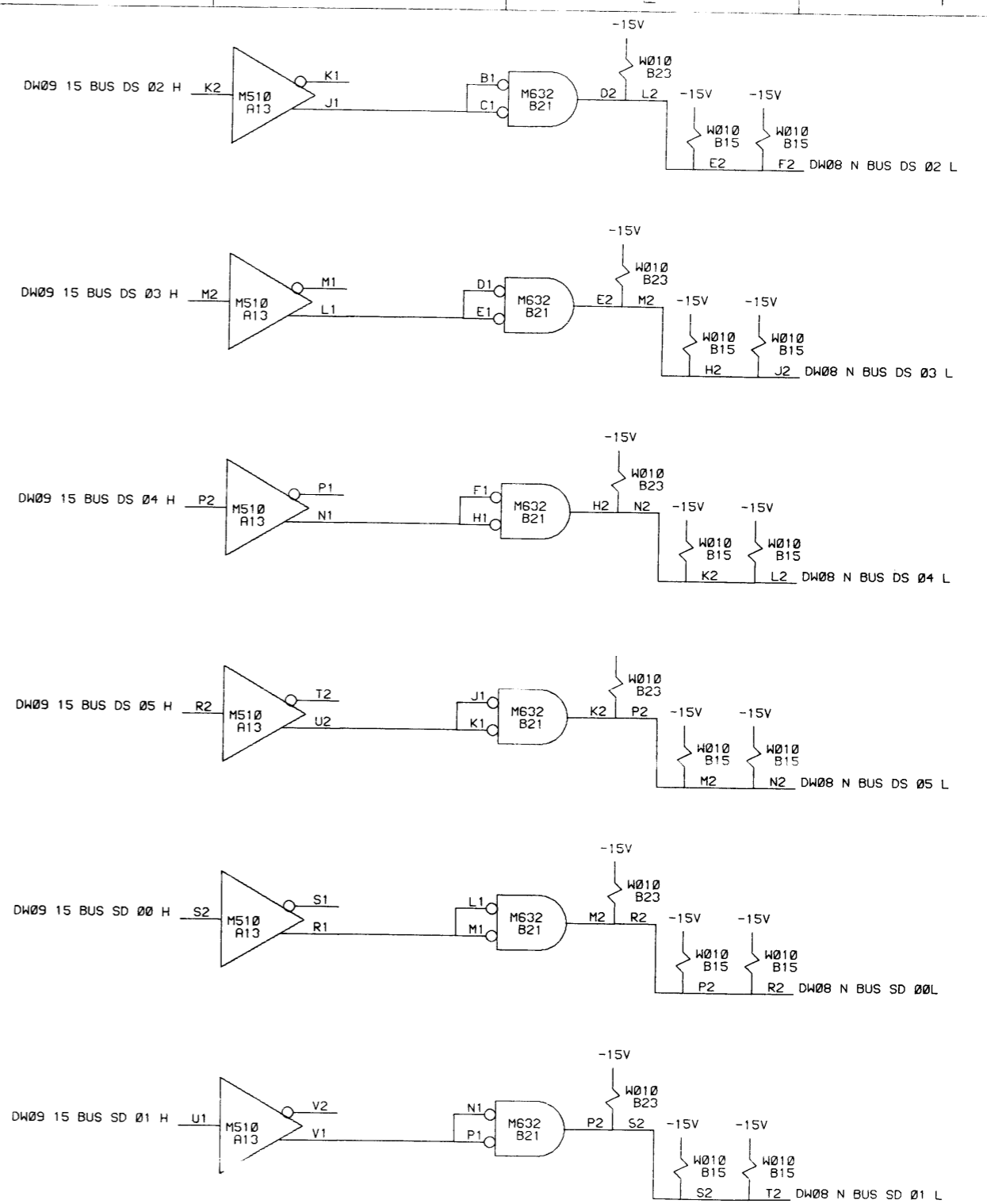
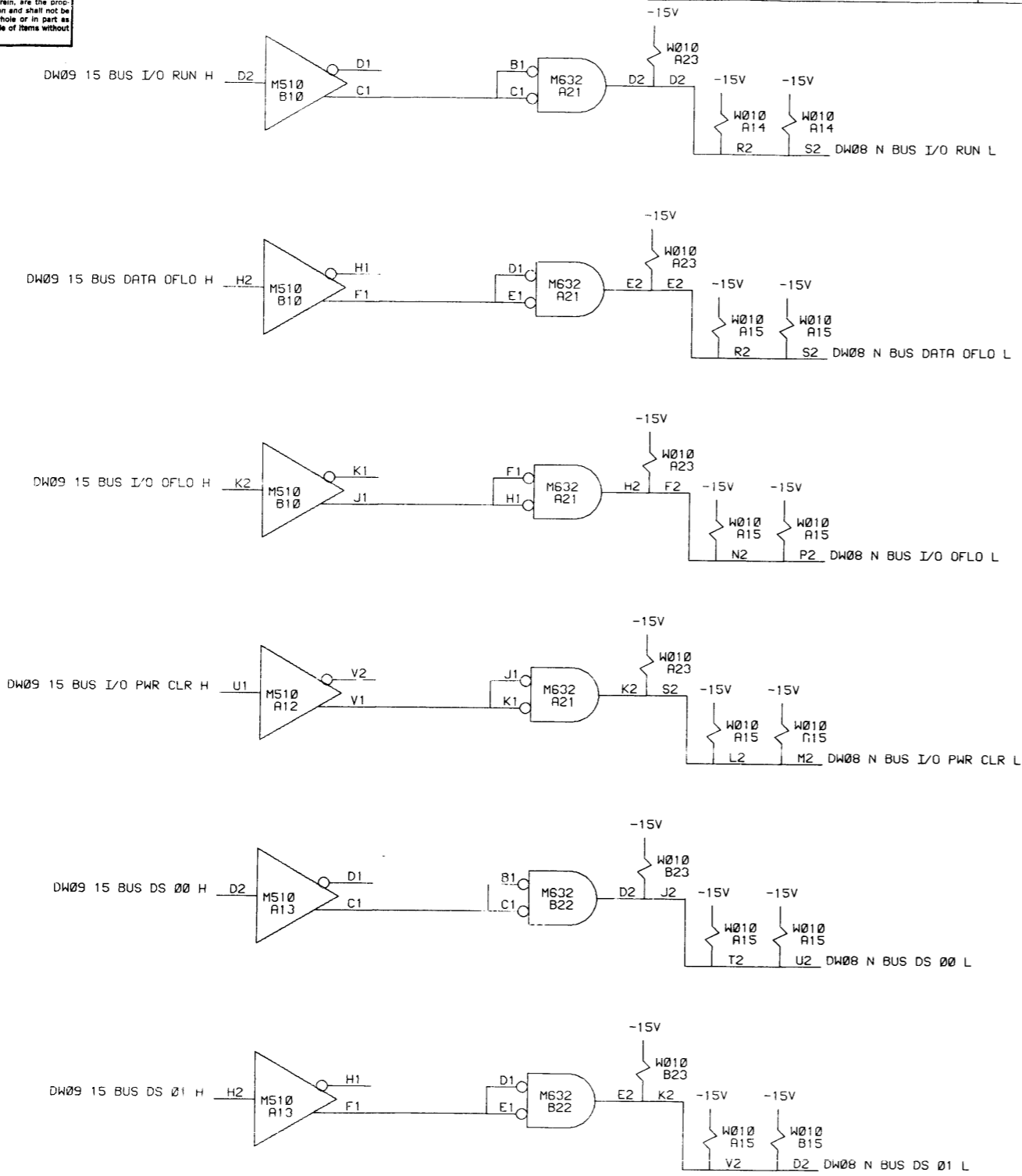


REVISIONS		
CHK	CHANGE NO.	REV.

DRN: K ROGGS	DATE: 8-2-69		TITLE
CHK'D: N RHEAULT	DATE: 8-3-69		I/O ADDRESS 11-17
ENG: J PRATT	DATE: 8-3-69	SIZE CODE	NUMBER
PROJ. ENG: J PRATT	DATE: 8-3-69	D BS	DW15-A-07
PROD: E LASKEY	DATE: 8-9-69	SCALE	REV. 00
FIRST USED ON		SHEET 1 OF 1	DIST.

1117

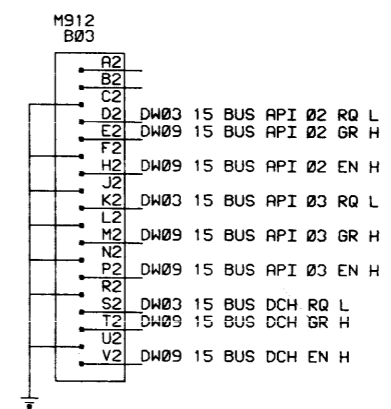
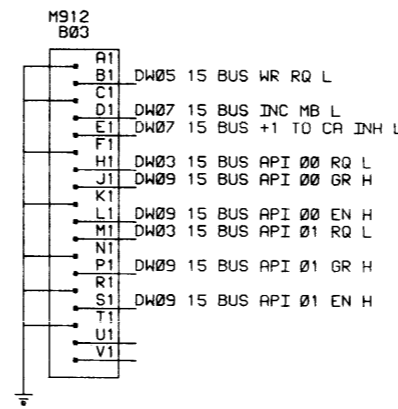
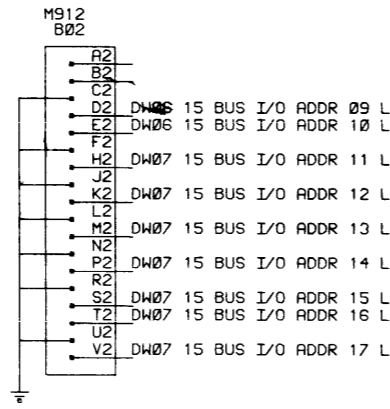
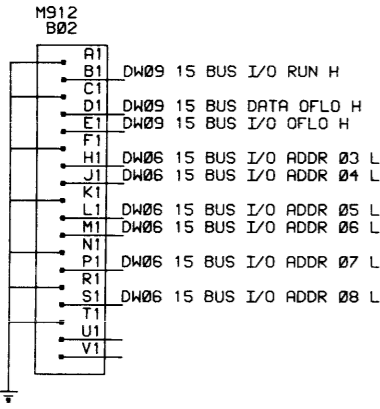
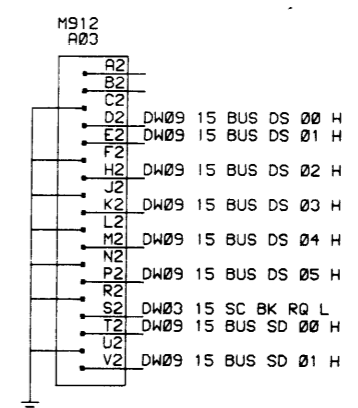
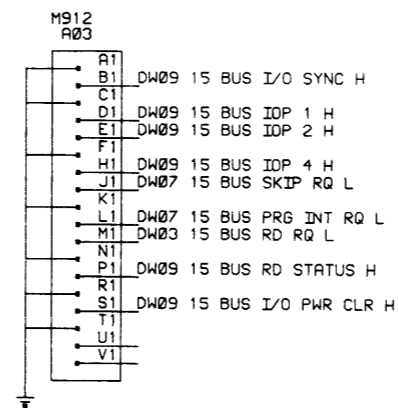
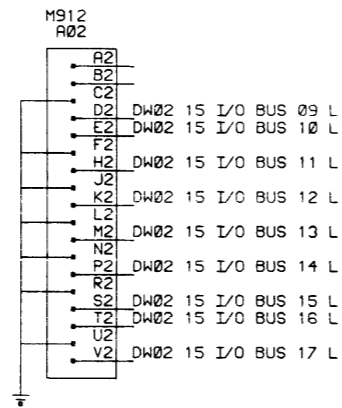
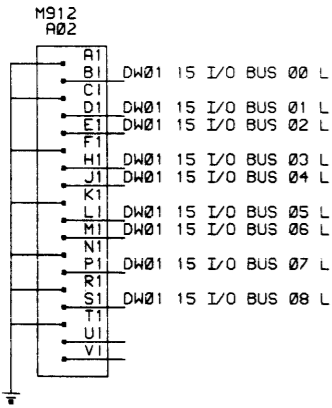
This drawing and specifications, herein, are the property of Digital Equipment Corporation and shall not be reproduced or copied or used in whole or in part as the basis for the manufacture or sale of items without written permission.



REVISIONS		
CHK	CHANGE NO.	REV.

DRN. K. ROGGS	DATE 7-1-69	 digital EQUIPMENT CORPORATION <small>MAYNARD MASSACHUSETTS</small>
CHK'D. N. RHEAULT	DATE 9-3-69	
ENG. J. PRATT	DATE 9-3-69	
PROJ. ENG. J. PRATT	DATE 9-3-69	
PROD. E. LAKEY	DATE 9-3-69	
FIRST USED ON DW15		
TITLE ONE WAY SIGNALS		SIZE CODE D BS NUMBER DW15-A-08 REV. 00
SCALE	SHEET 1 OF 1	

This drawing and specifications, herein, are the property of Digital Equipment Corporation and shall not be reproduced or copied or used in whole or in part as the basis for the manufacture or sale of items without written permission.

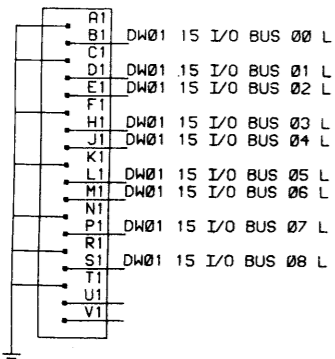


REVISIONS		
CHK	CHANGE NO.	REV.

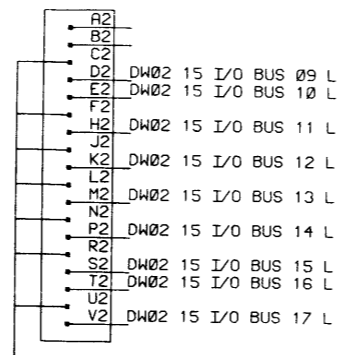
DRN. K ROGGS	DATE 2-3-69		TITLE
CHK'D. N RHEAULT	DATE 2-3-69		POSITIVE INPUT CABLES
ENG. J PRATT	DATE 2-3-69	SIZE CODE	NUMBER
PROJ. ENG. J PRATT	DATE 2-3-69	D BS	DW15-A-03
PROD. E LASKY	DATE 2-3-69	DIST.	REV. 00
FIRST USED ON DW15	SCALE	SHEET	OF

This drawing and specifications, herein, are the property of Digital Equipment Corporation and shall not be reproduced or copied or used in whole or in part as the basis for the manufacture or sale of items without written permission.

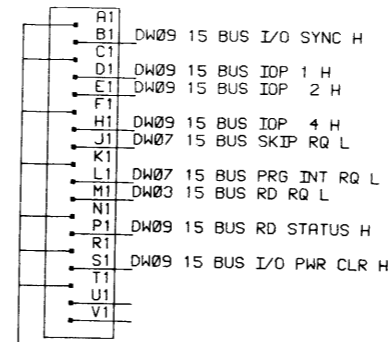
M912
A04



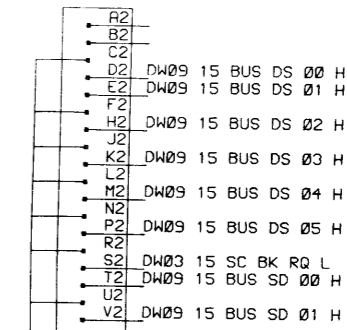
M912
A04



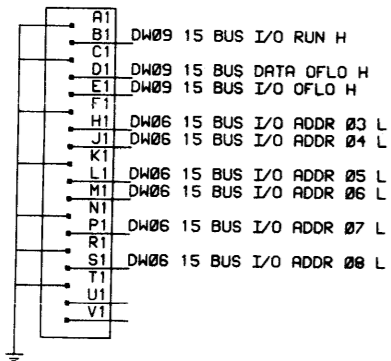
M912
A05



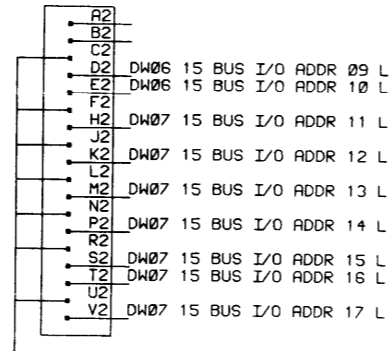
M912
A05



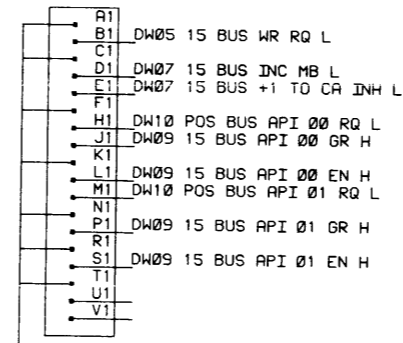
M912
B04



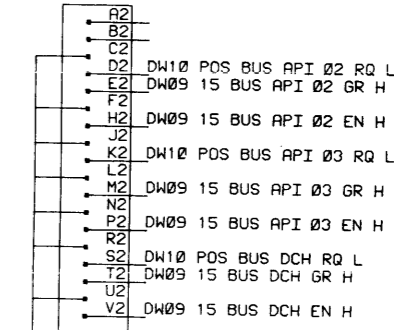
M912
B04



M912
B05



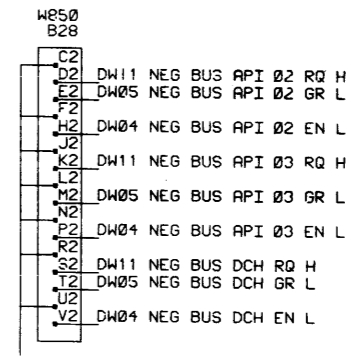
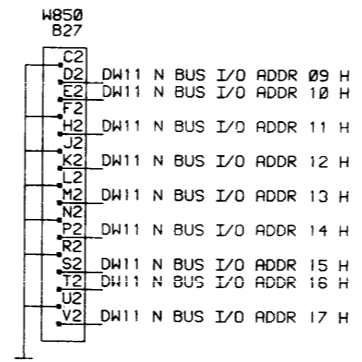
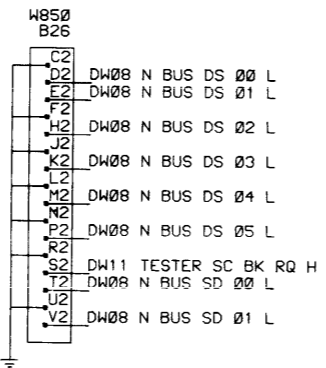
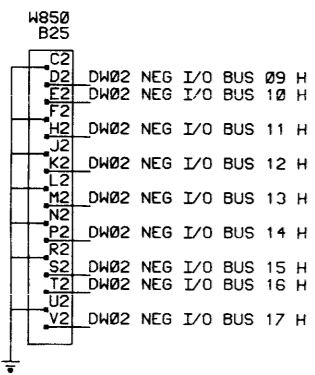
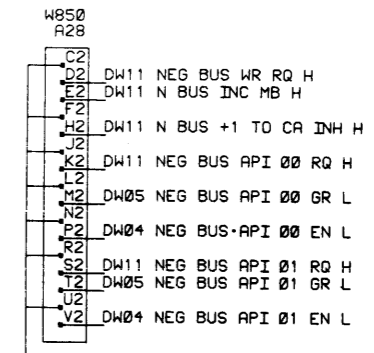
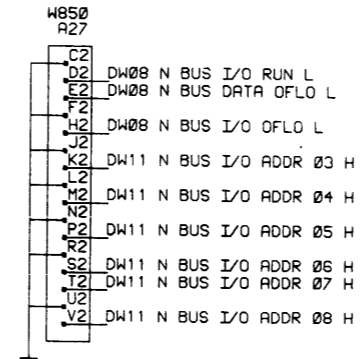
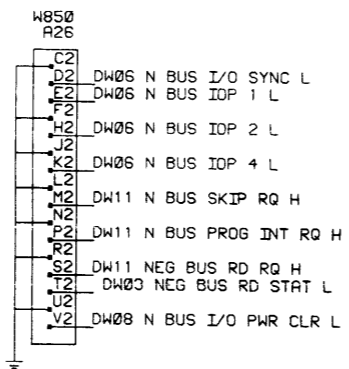
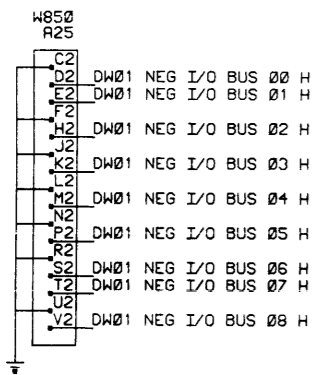
M912
B05



REVISIONS		
CHK	CHANGE NO.	REV.

DRN K20665	DATE 8-3-69		TITLE POSITIVE BUS CABLES	
CHK'D N RHEAULT	DATE 8-3-69		SIZE CODE D BS	NUMBER DW15-A-10
ENG T PRATT	DATE 8-3-69		REV. 00	
PROJ. ENG. T PRATT	DATE 8-3-69			
PROD. E LASKEY	DATE 8-3-69			
FIRST USED ON DW15				
SCALE SHEET 1 OF 1				

This drawing and specifications, herein, are the property of Digital Equipment Corporation and shall not be reproduced or copied or used in whole or in part as the basis for the manufacture or sale of items without written permission.



REVISIONS		
CHK	CHANGE NO.	REV.

DRN. K BOGGS	DATE 9-3-67	 MAYNARD, MASSACHUSETTS	TITLE
CHK'D. N RHEAULT	DATE 9-3-69		Negative Bus Cables
ENG. J PRATT	DATE 9-3-69		
PROJ. ENG. J PRATT	DATE 9-3-69		
PROD. K LASKY	DATE 2-9-68		
FIRST USED ON			
DW15	SIZE CODE D BS	NUMBER DW15-A-11	REV. 00
SCALE			
SHEET 1 OF 1	DIST.		

This drawing and specifications, herein, are the property of Digital Equipment Corporation and shall not be reproduced or copied or used in whole or in part as the basis for the manufacture or sale of items without written permission.

REV. 2
DW15-A-12
SIZE CODE DW15-A-12

	1	2	3	4	5	6	7	8	9	10	11	12	13	14	15	16	17	18	19	20	21	22	
USAGE	GB29	M912	M912	M912	M912	M912	M622	M622	M622	M510	M510	M510	M510	W010	W010	M500	M500	M500	M500	M632	M632	M632	W010
	2	1	2	1	2	1	2	1	2	1	2	1	2	1	2	1	2	1	2	1	2	1	2
		C	C	C	C	B1 D2 D1 D3 E1 H2 H1 K2 J1 M2 L1 P2 M1 S2 P1 T2 S1 V2	D2 E2 H2 K2 M2 P2 S2 V2	D2 E2 H2 K2 M2 P2 S2 V2	D2 E2 H2 K2 M2 P2 S2 V2	C1 U2 D1 E1 H1 J1 L1 M1 P1 S1	C1 U2 D1 E1 H1 J1 L1 M1 P1 S1	C1 U2 D1 E1 H1 J1 L1 M1 P1 S1	C1 U2 D1 E1 H1 J1 L1 M1 P1 S1	D2 N2 E2 P2 F2 R2 H2 S2 J2 T2 K2 U2 L2 V2	D2 N2 E2 P2 F2 R2 H2 S2 J2 T2 K2 U2 L2 V2	C1 U2 D1 E1 H1 J1 L1 M1 P1 S1	C1 U2 D1 E1 H1 J1 L1 M1 P1 S1	C1 U2 D1 E1 H1 J1 L1 M1 P1 S1	C1 U2 D1 E1 H1 J1 L1 M1 P1 S1	M632 D2 E2 H2 K2 M2 P2 S2 V2	M632 D2 E2 H2 K2 M2 P2 S2 V2	M632 D2 E2 H2 K2 M2 P2 S2 V2	W010 D2 E2 H2 K2 M2 P2 S2 V2

	23	24	25	26	27	28	29	30	31	32	33	34	35	36	37	38	39	40	41	42	43	44
USAGE	W010	W010	W850	W850	W850	W850																
	2	1	2	1	2	1	2	1	2	1	2	1	2	1	2	1	2	1	2	1	2	1
	D2 E2 F2 H2 J2 K2 L2 M2	N2 P2 R2 S2 T2 U2 V2	C A B L E	C A B L E	C A B L E	C A B L E																

NEGATIVE I/O BUS
(2 CABLES)

REV.	C
CHANGE NO.	DW15A-0005
DATE	12-21-70
BY	J. P. Pratt
REVISIONS	REDRAWN & REVISED

FIRST USED ON OPTION / MODEL
PDP 15

DO NOT SCALE DRAWING	UNLESS OTHERWISE SPECIFIED DIMENSION IN INCHES	TOLERANCES	DECIMALS FRACTIONS ANGLES	± .005 ± .010 ± .030
REMOVE BURRS AND BREAK SHARP CORNERS	MATERIAL	FINISH	SCALE	SHEET


DRN. DATE	2-26-69
CHK'D. DATE	4-7-69
ENG. DATE	7-8-69
PROJ. ENG. DATE	7-8-69
PROD. DATE	7-8-69
TITLE	MODULE UTILIZATION
NEXT HIGHER ASSY	A-ML-DW15-A
SCALE	
SHEET	OF

DIGITAL EQUIPMENT CORPORATION MAYNARD, MASSACHUSETTS				QUANTITY/VARIATION													
PARTS LIST																	
MADE BY Ed Permon		CHECKED <i>E. R. Permon</i>		SECTION													
DATE 11/30/70		DATE 12/2/70															
ENG <i>F. C. Cummins</i>		PROD <i>F. Jaschke</i>		ISSUED SECT.													
DATE 12/1/70		DATE 12/1/70															
ITEM NO.	DWG NO. / PART NO.	DESCRIPTION		DW15A													
	G829	+5v POWER CONNECTOR		1													
	M112	NOR GATES		1													
	M121	AND/NOR. GATES		1													
	M500	NEGATIVE INPUT CONVERTER		6													
	M510	I/O BUS RECEIVER		7													
	M617	NOR BUFFER GATES		1													
	M622	BUS DRIVER		6													
	M632	CONVERTER DRIVER		6													
	W010	CLAMPED LOADS		8													
	M909	TERMINATOR CARD		1													
	M910	CP TERMINATOR CARD		1													
TITLE BUS CONVERTER MODULE LIST				ASSY NO. A-ML-DW15-A		SIZE CODE A PL		NUMBER DW15-A-12		REV. C	ECO NO. DW15A-00005						
				SHEET 1 OF 1		DIST.											

DEC FORM NO. 16-1031
DRA 110

DRWG NO	REV LTR
K-WL-DWI5-A-13	C

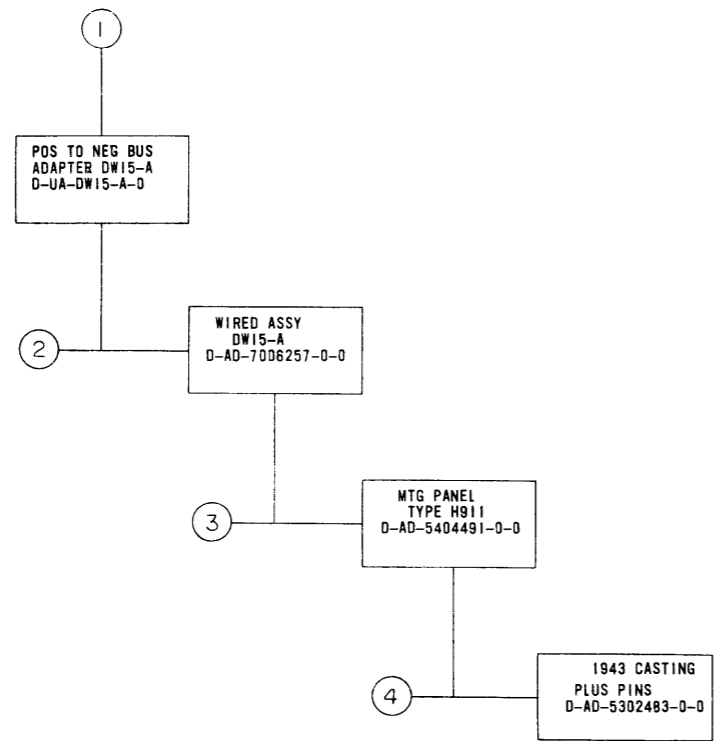
REVISIONS			
REV LTR	ECO NO	DATE	ENG
A	DWI5A-00002	12-9-69	JP
B	DWI5A-00003	4-9-70	JP
C	DWI5A-00004	10/4/70	JP

FIRST USED ON OPTION/ MODEL DWI5-A	DRAWN A. Romandi	DATE 3-19-69		TITLE WIRE LIST				
	CHECKED R. Carvelli	DATE 4-1-69		FOR TAPE # FILE #				
	ENG J. P. Pratt	DATE 9/8/69		SIZE	CODE	DWG. NO.	REV LTR	
	PROJ. ENG J. P. Pratt	DATE 9/8/69		A-ML-DWI5-A	K	WL	DWI5-A-13	C
	PROD F. Fabey	DATE 9/9/69		SCALE	SHEET 1	OF 1	DIST.	

This drawing and specifications, herein, are the property of Digital Equipment Corporation and shall not be reproduced or copied in whole or in part as the basis for the manufacture or sale of items without written permission.

REV. NUMBER DW15-A-14
 SIZE CODE DDI
 2

MECHANICAL						DEPT USAGE			ELECTRICAL						DEPT USAGE		
FIND NO	DESCRIPTION	PART NO	PROD	CUST	F C	FIND NO	DESCRIPTION	PART NO	PROD	CUST	F C	FIND NO	DESCRIPTION	PART NO	PROD	CUST	F C
1	POS TO NEG BUS ADAPTER DW15-A POS TO NEG BUS ADAPTER DW15-A(PL) RIGHT END PANEL LEFT END PANEL H912 TO H912 CABLE NYLON RETAINER BLOCK(OFFSET) NYLON RETAINER BLOCK	D-UA-DW15-A-0 A-PL-DW15-A-0 C-MD-5302486-0-0 C-MD-5302485-0-0 D-UA-8029-8-0 C-MD-7407127-0-0 C-IA-7405575-0-0				1	POS TO NEG BUS ADAPTER DW15-A B1 DIRECTIONAL BUS #8-88 B1 DIRECTIONAL BUS #9-17 API RD PRIORITY SELECTION GRANT GATING IO ADDR #3-18 IO ADDR 11-17 ASSORTED SIGNALS DW15 INPUT CABLES POS DEV OUTPUT CABLES NEG BUS OUT CABLES MODULE UTILIZATION MODULE UTILIZATION (PL) WIRE LIST ENGINEERING SPECS	A-ML-DW15-A D-B5-DW15-A-1 D-B5-DW15-A-2 D-B5-DW15-A-3 D-B5-DW15-A-4 D-B5-DW15-A-5 D-B5-DW15-A-6 D-B5-DW15-A-7 D-B5-DW15-A-8 D-IC-DW15-A-9 D-IC-DW15-A-10 D-IC-DW15-A-11 D-MU-DW15-A-12 A-PL-DW15-A-13 K-SP-DW15-A-15				2	WIRED ASSY DW15-A	D-AD-7006257-0-0			
2	WIRED ASSY DW15-A WIRED ASSY DW15-A (PL) LOGIC FRAME DECALS	D-AD-7006257-0-0 A-PL-7006257-0-0 A-DC-7406371-0-0															
3	MTG PANEL TYPE H911 MTG PANEL TYPE H911 (PL) 288 PIN CONN BLOCK TYPE #H883	D-AD-5404491-0-0 A-PL-5404491-0-0 E-SC-1205348-0-0															
4	1943 CASTING PLUS PINS 1943 CASTING PLUS PINS (PL) 1943 FRAME CASTING	D-AD-5302483-0-0 A-PL-5302483-0-0 E-MD-1202885-0-0															



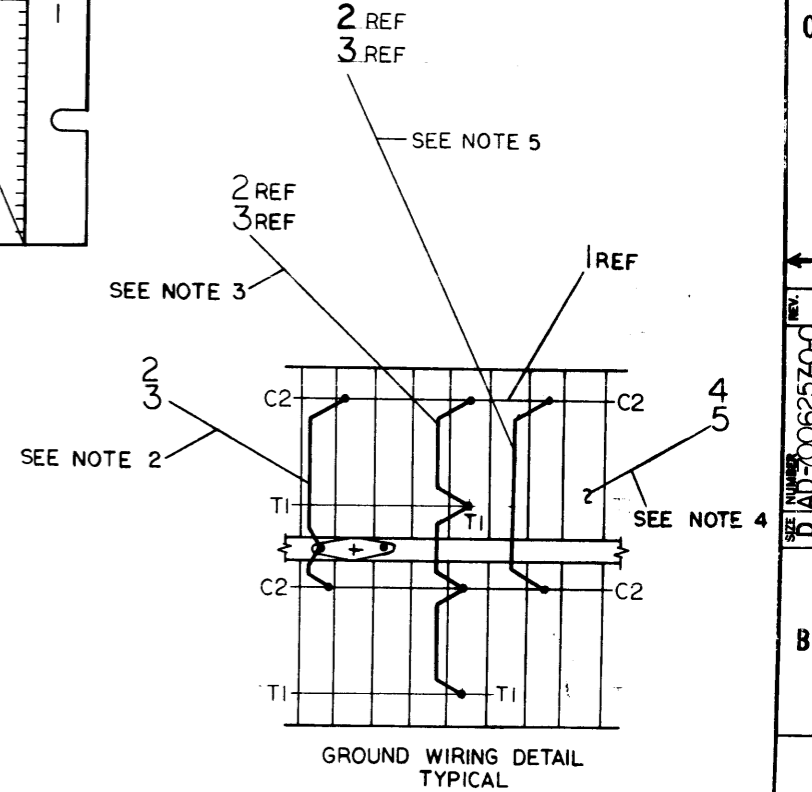
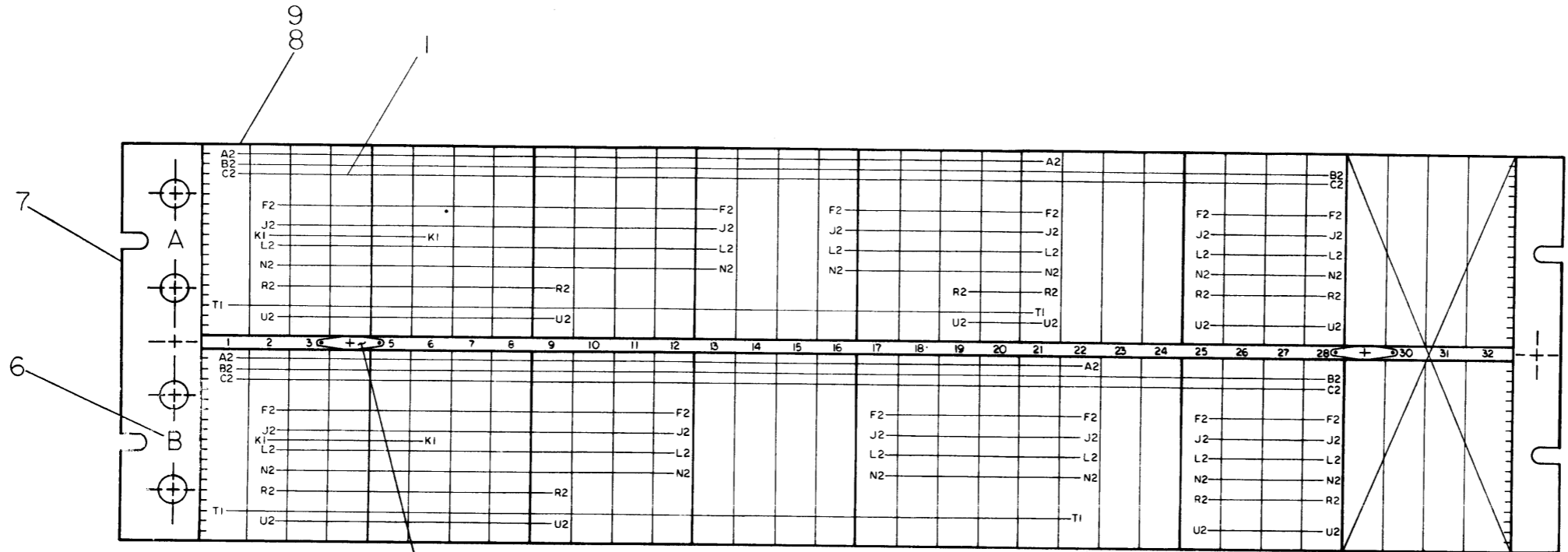
REV	CHG	NO	DATE	BY
A		0004	10.15.70	PHATT
E		0005	10.15.70	PHATT

FIRST USED ON OPTION/MODE DW15-A	QTY.	DESCRIPTION	PART NO. 7	ITEM NO.
UNLESS OTHERWISE SPECIFIED	DRN A. Camandi	DATE 2-26-69	PARTS LIST	
UNLESS OTHERWISE SPECIFIED	CHKD A. Camandi	DATE 9-7-69	digital EQUIPMENT CORPORATION MAYNARD, MASSACHUSETTS	
DIMENSION IN INCHES	ENG John J. Pratt	DATE 9/8/69	TITLE DWG INDEX LIST DW15-A	
TOLERANCES	PROJ. ENG. D John J. Pratt	DATE 9/8/69	SIZE CODE DDI	
DECIMALS ± .005	PROD. A. Camandi	DATE 1/3/69	NUMBER DW15-A-14	
FRACTIONS ± 1/64			REV. B	
ANGLES ± 0°30'			SCALE NONE	
FINAL SURFACE QUALITY			SHEET OF	
REMOVE BURRS AND BREAK SHARP CORNERS			DIST. G.	
MATERIAL	NEXT HIGHER ASSY			
FINISH	A-ML-DW15-A			

This drawing and specifications, herein, are the property of Digital Equipment Corporation and shall not be reproduced or copied or used in whole or in part as the basis for the manufacture or sale of items without written permission.

REV. 0-07006257-00 8287171 3215 2 1

- NOTES:
1. CONNECTIONS ON ITEM NUMBER 1 & 2 TO BE LOCATED AND SOLDERED AT MINIMUM PRACTICAL HEIGHT ABOVE BLOCKS.
 2. ALL CONNECTOR BLOCKS TO BE GROUNDED TO GROUND LUGS AS SHOWN, 2 PLACES.
 3. JUMPER GROUND BUSSING AS SHOWN, 6 PLACES.
 4. USE YELLOW WIRE (ITEM #4) FOR MACHINE WRAPPED AND BLUE WIRE (ITEM #5) FOR HAND WRAPPED WIRING.
 5. JUMPER GROUND BUSSING AS SHOWN, 1 PLACE.



REVISIONS	REV.
CHANGE NO.	
CHK	

FIRST USED ON OPTION/MODEL DW15-A	QTY.	DESCRIPTION	PART NO.	ITEM NO.
DO NOT SCALE DRAWING	DRN A. Rainey	DATE 3-18-69	PARTS LIST	
UNLESS OTHERWISE SPECIFIED DIMENSION IN INCHES	CHK'D C. Canell	DATE 4-7-69	digital EQUIPMENT CORPORATION MAYNARD, MASSACHUSETTS	
TOLERANCES DECIMALS FRACTIONS ANGLES ± .005 ± 1/64 ± 0'30"	ENG John J. Platt	DATE 9/2/69	TITLE WIRED ASS'Y DW15-A	
FINAL SURFACE QUALITY REMOVE BURRS AND BREAK SHARP CORNERS	PROJ. ENG. John J. Platt	DATE 9/2/69	NUMBER D AD 7006257-0-0	
MATERIAL	PROD.	DATE 1/19/69	REV.	
NEXT HIGHER ASSY D-UA-DW15-A-0	SCALE NONE	SIZE CODE D AD	SHEET OF	
FINISH		DIST.	1	

REV. 0-07006257-00

DIGITAL EQUIPMENT CORPORATION MAYNARD, MASSACHUSETTS PARTS LIST					QUANTITY/VARIATION															
MADE BY A. RAIMONDI		CHECKED R. CARVELLI		SECTION	DW15-A															
DATE 3/18/69		DATE 4/1/69																		
ENG DATE <i>John F. Pratt 9/8/69</i>		PROD DATE <i>9/8/69 F. Farley</i>		ISSUED SECT.																
ITEM NO.	DWG NO. / PART NO.	DESCRIPTION																		
1	1205541	BUS STRIP			K/R															
2	9107560-1	#22 AWG BUS WIRE			A/R															
3	9107265	#22 TUBING, TEFLON, WHITE			A/R															
4	9105740-5	#30 AWG SOLID TEF INS WIRE, YEL			A/R															
5	9105740-7	#30 AWG SOLID TEF INS WIRE, BLU			A/R															
6	A-DC-7406371-0-0	LOGIC FRAME DECALS			1															
7	D-AD-53-2483-0-0	1943 CASTING PLUS PINS			1															
8	E-SC-1205348-0-0	288 PIN CONN BLOCK TYPE #H803			7															
9	9006120	SCR PHL HD FIL #8-32 X 5/8 LG SST			14															
10	9006775	TERMINAL #2116-08-00 SHAKEPROOF			2															
11	9006035-1	SCR PHL HD PAN #8-32 X 1/4 LG SST			2															
12	9006634	WASH INT TOOTH #8			4															
REF	K-WL-DW15-A-13	WIRE LIST																		
TITLE		ASSY NO.		SIZE	CODE	NUMBER			REV.	ECO NO.										
WIRED ASSY DW15-A		D-AD-7006257-0-0		A	PL	7006257-0-0														
		SHEET 1 OF 1		DIST.																

DEC FORM NO.
DRA 110

ENGINEERING SPECIFICATION

CONTINUATION SHEET

TITLE DW15A Engineering Specifications

2.3 Power Requirements

AC	Voltage	115 I 10%
	Current	
	Surge	
	Nominal	
DC	Voltage	+5, -15V
	Current	4A @ +5, 1A @ -15V
	Surge	
	Nominal	To Be Supplied

2.4 Performance Specification

Speed	-	1 Mhz
Capacities	-	N/A
Duty Cycle	-	100%

3. INSTALLATION INSTRUCTIONS

3.1 Uncrating

Open shipping carton carefully and remove DW15A. Unwrap bubble packing.

3.2 Parts List

- 1 - DW15A
- 1 - Set of Prints
- 1 - BC09B I/O Bus Cable

3.3 Assembly

If DW15A is bought separately, mount in 19" cabinet.

3.4 Cabling

The positive input BC09/B cable connects to the BA15, BB15, KP15, RF15, or the RP15. Refer to D-AR-FDP15-0-2 for length and routing of the input bus cable. Continuation of positive bus connects to AB03, ABC4 in DW15. Negative devices will

SIZE	CODE	NUMBER	REV
A	SP	DW15-A-15	

ENGINEERING SPECIFICATION

CONTINUATION SHEET

TITLE DW15A Engineering Specifications

connect with BC09A I/O bus cables to AB25-28.

3.5 Preliminary (Power Off) Checks

Check power wiring around G829 connector board. Check for bent logic pins and objects across power bussed strips. Check fuses on G829 card.

3.6 Application of Power

Look for smoke or incandescing bus strips which would indicate a hidden power short not detected in 3.5.

3.7 Preliminary (Power On) Checks

Not applicable.

4. OPERATION INSTRUCTIONS

4.1 Controls

Not applicable.

4.2 Indicators

Not applicable.

4.3 Operating Sequence

Not applicable.

5. ACCEPTANCE TEST PROCEDURE (CUSTOMER)

5.1 Programs to be run

Not applicable.

5.2 Duration of Test

Not applicable.

SIZE	CODE	NUMBER	REV
A	SP	DW15-A-15	

TITLE DW15A Engineering Specifications

5.3 Definition of Test Failure

Not applicable.

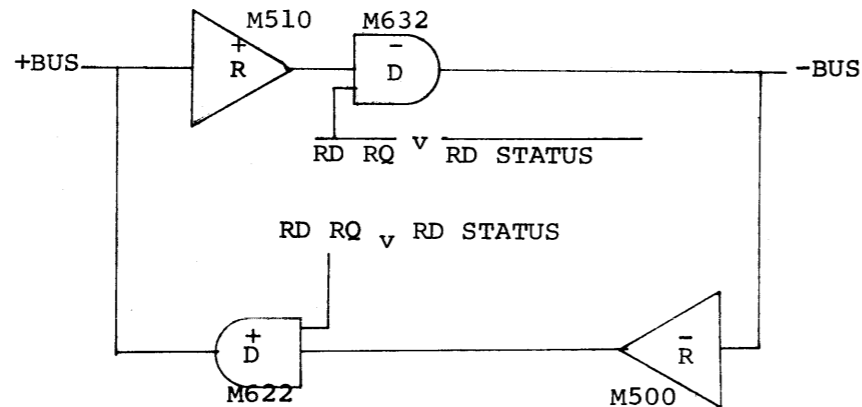
5.4 Checklist

Not applicable.

6. PRINCIPLES OF OPERATION

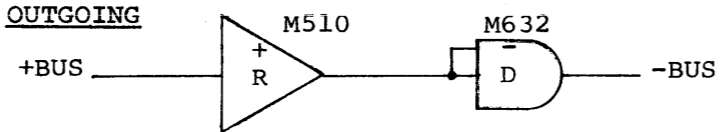
6.1 Block Diagram Description

Bi-Directional Signals:



One Way Signals:

OUTGOING



INCOMING



SIZE	CODE	NUMBER	REV
A	SP	DW15-A-15	

TITLE DW15A Engineering Specifications

6.2 Programming

Not applicable.

6.3 Detailed Description

The DW15A receives positive I/O bus signals and drives a negative I/O bus. A positive signal is received by a high input impedance receiver which imposes a slight load on the positive bus. The output of this receiver feeds a converter driver module which drives the negative bus.

In the cause of bi-directional signals such as the I/O bus 00-17, data is gated to the computer with RD RQ from the negative bus or RD Status from the PDP-15. Otherwise, the data bits are always gated to the device. To assure priority to the positive bus, the DW15A receives RQ's from the positive bus leg and drives the negative bus API 00-03 and DCH enables to ground, thus disabling the negative bus. A disable received by the DW15A from higher priority positive device will disable both the positive and negative legs of the bus.

6.4 Module Description

The DW15 uses 4 new driver and receiver packages:

M622 - Positive Driver. The M622 contains 8 positive drivers. A driver circuit consists of a AND/NOR Gate and a discrete component open collector driver.

M510 - Positive Receiver. The M510 contains 8 positive receivers. The receiver circuit consists of a high impedance emitter follower with a T2L gate output.

M632 - Negative Driver. The M632 contains 8 drivers. Each driver consists of a AND/NOR T2L gate with a discrete component negative driver.

SIZE	CODE	NUMBER	REV
A	SP	DW15-A-15	