

**PDP-15 SYSTEMS  
RP15 DISK PACK CONTROL  
MAINTENANCE MANUAL  
VOLUME 2**

The material herein is for information purposes only and is subject to change without notice. Digital Equipment Corporation assumes no responsibility for any errors which may appear herein.

These drawings and specifications herein are the property of Digital Equipment Corporation and shall not be reproduced or copied or used in whole or in part as the basis for the manufacture or sale of items without written permission.  
Copyright © 1975, Digital Equipment Corporation

1st Printing December 1970

Copyright © 1970 by Digital Equipment Corporation

The material in this manual is for information purposes and is subject to change without notice.

The following are trademarks of Digital Equipment Corporation, Maynard, Massachusetts:

DEC	PDP
FLIP CHIP	FOCAL
DIGITAL	COMPUTER LAB

# RP15 Disk Pack Control Maintenance Manual

## INTRODUCTION

Volume 2 of the maintenance manual includes a complete set of engineering drawings for the RP15 Disk Pack Control. The drawings supplied with each RP15 will include the latest engineering change orders (ECOs) applicable to that system. The drawing number index, Table 1-1, lists the complete set of drawings and the order in which they are provided.

## ENGINEERING DRAWING ORGANIZATION

Each engineering drawing is assigned a coded drawing identification number that indicates the size, the drawing type, a system identification, the manufacturing variation, and the drawing number in the series.

For example, the drawing identification number D-BS-RP15-0-03 provides the following information:

D	D-size (22 x 34 inches) drawing
BS	Block Schematic (drawing type)
RP15	Pertains to overall RP15 System
0	Manufacturing variation
03	The third in the series of RP15 Block Schematics

## Drawing Codes

The codes assigned to each type of engineering drawing are listed in the following chart:

Type Code	Definition	Type Code	Definition
AD	Assembly Drawing	MU	Module utilization drawing
BS	Block Schematic	PL	Parts List
CS	Circuit Schematic	SP	Specifications
IA	Inseparable Assembly	TD	Timing Diagram
IC	Interconnection Diagram	UA	Unit assembly
ML	Master Drawing List		

## Drawing Number Index

Table 1-1 is an index to the engineering drawings.

Table 1-1  
Drawing Number Index

Size (Original)	Type	Number	Title
D	AD	7006820-0-0	Max Configuration H963-C
A	PL	7006820-0-0	Max Configuration H963-C (PL)
D	UA	RP15-0-0	RP15 Unit Assembly
A	PL	RP15-0-0	RP15 Unit Assembly (PL)
D	DI	RP15-0-1	Drawing Index RP15
D	AD	7006259-0-0	Switch Plate Assembly
A	PL	7006259-0-0	Switch Plate Assembly (PL)
C	CS	716-0-1	Ind. Power Supply 716
A	PL	716-0-0	Ind. Power Supply 716 (PL)
B	CS	841-B-1	841-B Power Control
A	PL	841-B-0	841-B Power Control (PL)
D	AD	7006821-0-0	RP15 Wired Assembly
A	PL	7006821-0-0	RP15 Wired Assembly (PL)
A	ML	RP15-0	RP15
D	MU	RP15-0-02	Module Utilization
A	PL	RP15-0-02	Module Utilization (PL)
D	BS	RP15-0-03	Maintenance Control
D	BS	RP15-0-04	Maintenance Control Buffer
D	BS	RP15-0-05	Read/Write Control No. 1
D	BS	RP15-0-06	Read/Write Control No. 2
D	BS	RP15-0-07	Read/Write Control No. 3
D	BS	RP15-0-08	Data Separator Control
D	BS	RP15-0-09	Status Control No. 1
D	BS	RP15-0-10	Status Control No. 2
D	BS	RP15-0-11	Status Control No. 3
D	BS	RP15-0-12	API Control
D	BS	RP15-0-13	Buffer Register Control
D	BS	RP15-0-14	DCH Control
D	BS	RP15-0-15	Short & Long Register Control

Table 1-1 (Cont)  
Drawing Number Index

Size (Original)	Type	Number	Title
D	BS	RP15-0-16	Tag & Bus Line Control
D	BS	RP15-0-17	WC & CA Control
D	BS	RP15-0-18	Major State Control
D	BS	RP15-0-19	Major State
D	BS	RP15-0-20	IOT Selection
D	BS	RP15-0-21	Function Register
D	BS	RP15-0-22	Write Format Generator
D	BS	RP15-0-23	Sector Word Count
D	BS	RP15-0-24	Write Check Comparator 00-15
D	BS	RP15-0-25	Write Check Comparator 16-31
D	BS	RP15-0-26	Write Check Comparator 32-35
D	BS	RP15-0-27	Cylinder Comparator
D	BS	RP15-0-28	Cylinder Address Register
D	BS	RP15-0-29	Head Address Register
D	BS	RP15-0-30	Sector Address Register
D	BS	RP15-0-31	Word Count Register
D	BS	RP15-0-32	Current Address Register
D	BS	RP15-0-33	Buffer Register 00-05, 18-23
D	BS	RP15-0-34	Buffer Register 06-11, 24-29
D	BS	RP15-0-35	Buffer Register 12-17, 30-35
D	BS	RP15-0-36	Shift Register 00-11
D	BS	RP15-0-37	Shift Register 12-23
D	BS	RP15-0-38	Shift Register 24-35
D	BS	RP15-0-39	Long. Parity Register 00-17
D	BS	RP15-0-40	Long. Parity Register 18-26
D	BS	RP15-0-41	Long. Parity Register 27-35
D	BS	RP15-0-42	Bus Multiplexer 00-05
D	BS	RP15-0-43	Bus Multiplexer 06-11
D	BS	RP15-0-44	Bus Multiplexer 12-17
D	BS	RP15-0-45	Multiplexer Terminator 00-17
D	BS	RP15-0-46	Unit Disk Drivers
D	BS	RP15-0-47	Bus Disk Drivers

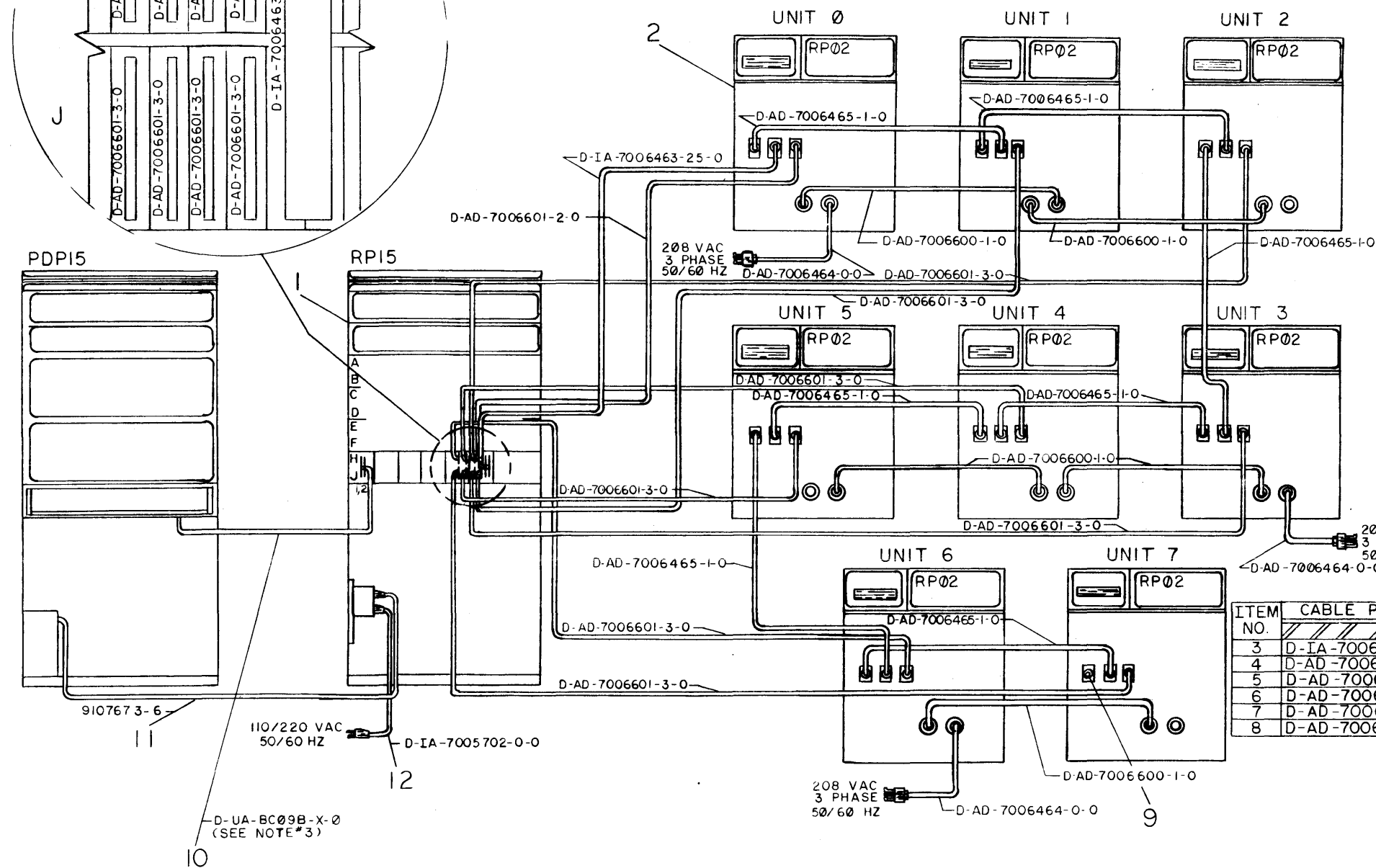
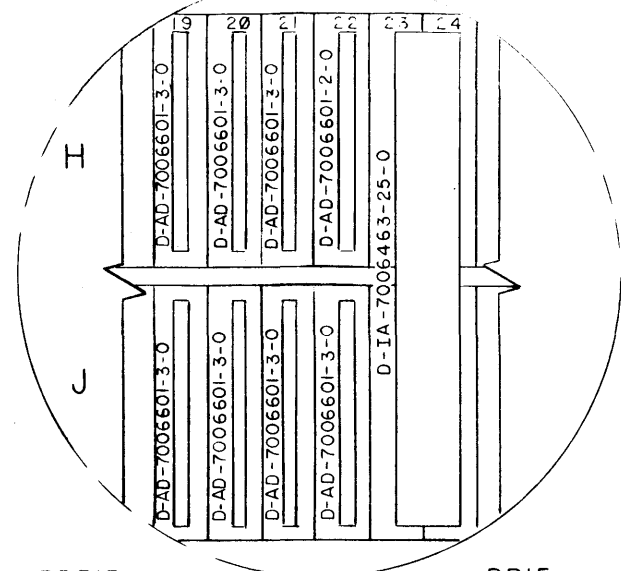
Table 1-1 (Cont)  
Drawing Number Index

Size (Original)	Type	Number	Title
D	BS	RP15-0-48	Disk Disk Drivers
D	BS	RP15-0-49	I/O Bus Drivers 00-17
D	BS	RP15-0-50	I/O Address Drivers
D	BS	RP15-0-51	I/O Bus Receivers
D	IC	RP15-0-52	I/O Bus Interface
D	IC	RP15-0-53	Drive-Control Cable Interface
D	IC	RP15-0-54	Indicator Interface
D	BS	RP15-0-55	Lockout Interface
D	TD	RP15-0-56	Timing Diagrams
D	SP	RP15-0-57	Adjustment & Maintenance
A	SP	RP15-0-60	RP15 Customer Acceptance Procedure
D	CS	5408458-0-1	Peripheral Indicator Panel Circuit Schematic
E	IA	5408458-0-0	Peripheral Indicator Panel Parts List
D	CS	H721-0-1	H721 Power Supply Circuit Schematic with Parts List

This drawing and specifications, herein, are the property of Digital Equipment Corporation and shall not be reproduced or copied or used in whole or in part as the basis for the manufacture or sale of items without written permission.

NOTES:

- FOR DRAWING INDEX LIST, REFER TO: C-DI-7006820-0-1.
- FOR AC/DC POWER WIRING OF RP02, REFER TO: D-UA-RP15-0-0 (SHEET 2).
- FOR LOCATION FROM THE PDP15 AND LENGTH OF FC09B CABLE, REFER TO: D-AR-PDP15-0-2 (SHEET 3 & 4).



ITEM NO.	CABLE PART NO	UNIT NUMBER								
		0	1	2	3	4	5	6	7	
3	D-IA-7006463-25-0	1								
4	D-AD-7006465-1-0									
5	D-AD-7006601-2-0									
6	D-AD-7006601-3-0									
7	D-AD-7006464-0-0									
8	D-AD-7006600-1-0									

REV.	CHANGE NO.	BY	DATE
A	RPO8-00011	DIETER	11/22/70

FIRST USED ON OPTION / MODEL  
RP15

DO NOT SCALE DRAWING  
UNLESS OTHERWISE SPECIFIED  
DIMENSION IN INCHES  
TOLERANCES  
DECIMALS FRACTIONS ANGLES  
± .005 ± 1/64 ± 0°30'  
FINAL SURFACE QUALITY  
REMOVE BURRS AND BREAK SHARP CORNERS  
MATERIAL  
FINISH

QTY.	DESCRIPTION	PART NO.	ITEM NO.
PARTS LIST			
DRN: [Signature]		DATE: 11/22/70	<b>digital</b> EQUIPMENT CORPORATION MAYNARD, MASSACHUSETTS TITLE <b>MAX. CONFIG. H963-C</b>
CHKD: [Signature]	DATE: 11/22/70	PROJ. ENG. DATE: 11/22/70	
ENG: [Signature]	DATE: 11/22/70	PROD. DATE: 11/22/70	
NEXT HIGHER ASSY D-AR-PDP15-0-2			
SCALE: 1 OF 1		SHEET 1 OF 1	SIZE CODE: DAD7006820-0-0 NUMBER: 1 REV: A

**DIGITAL EQUIPMENT CORPORATION**  
MAYNARD, MASSACHUSETTS  
**PARTS LIST**

QUANTITY / VARIATION

MADE BY P. LEBLANC	CHECKED V. DAMBRAUSKAS	SECTION 1
DATE 3-30-70	DATE 4-21-70	
ENG <i>W. Marino</i>	PROD <i>J. Brunel</i>	ISSUED SECT. 1
DATE 4-24-70	DATE 4 27 70	

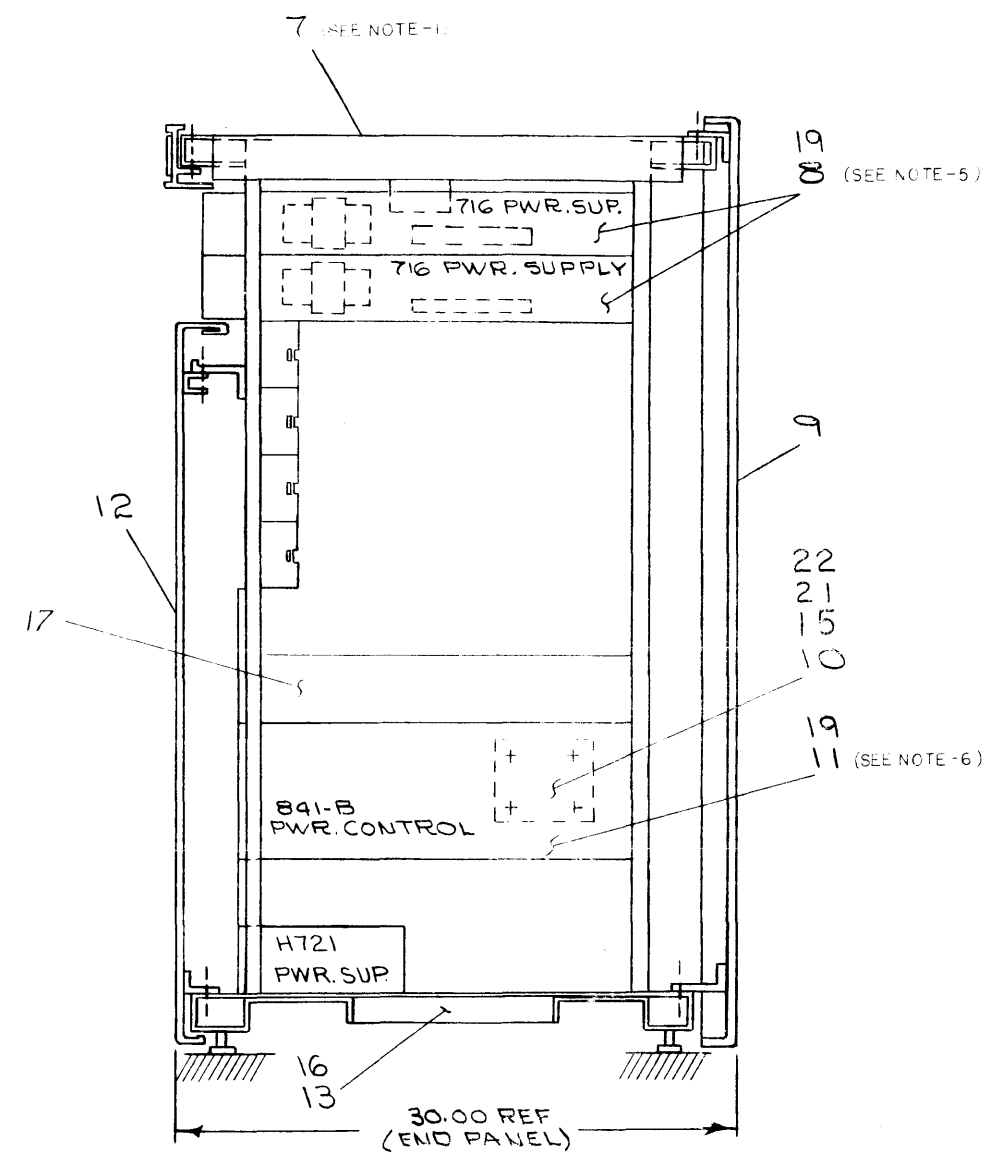
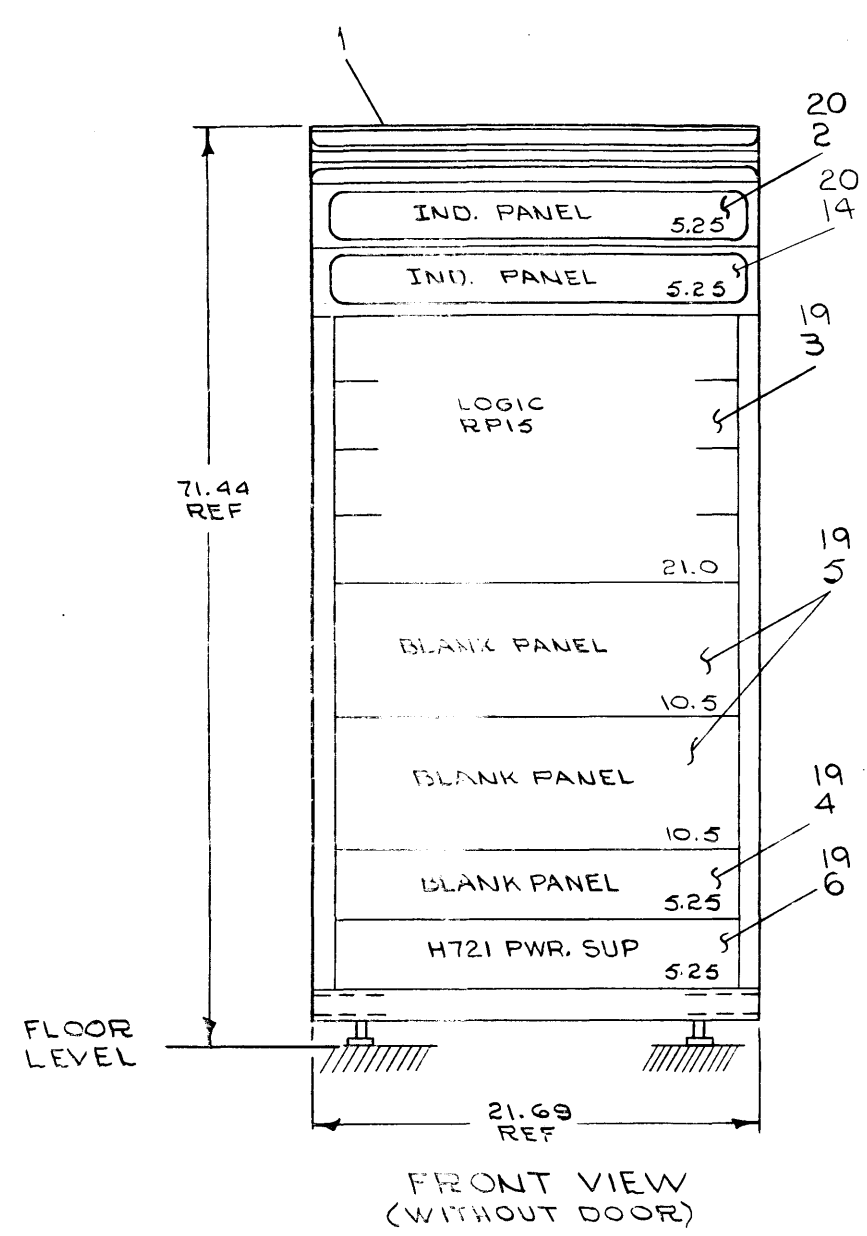
ITEM NO.	DWG NO. / PART NO.	DESCRIPTION	QTY	UNIT	VAR	UNIT	VAR	UNIT	VAR	UNIT	VAR	UNIT	VAR	UNIT	VAR	UNIT	VAR	UNIT	VAR
1	D-UA-RP15-Ø-Ø	RP15 UNIT ASSEMBLY	1																
2	D-UA-RPØ2-Ø-Ø	*RPØ2 ASSEMBLY	8																
3	D-IA-7006463-25-0	I/O CABLE (RP1Ø)	1																
4	D-AD-7006465-1-0	DISK SIGNAL CABLE	7																
5	D-AD-7006601-2-0	(RPØ1/RPØ2) UNIT CABLE	1																
6	D-AD-7006601-3-0	(RPØ1/RPØ2) UNIT CABLE	7																
7	D-AD-7006464-0-0	POWER CABLE	3																
8	D-AD-7006600-1-0	POWER JUMPER (RPØ1)	5																
9	D-AD-7006932-0-0	TERMINATOR CARD ASSY	1																
10	D-UA-BCØ9B-Ø-Ø	BCØ9B CABLE ASSY	1																
11	9107673-6	CORD, 14/3 WIRE	1																
12	D-IA-7005702-0-0	CABLE POWER	1																

TITLE MAX. CONFIGURATION H963-C,		ASSY NO. D-AD-7006820-0-0		SIZE	CODE	NUMBER		REV.	ECO NO.
				A	PL	7006820-0-0		A	RPO9-00011
SHEET 1 OF 1		DIST. 1							

DEC FORM NO. DRA 110

This drawing and specifications herein are the property of Digital Equipment Corporation and shall not be reproduced or copied or used in whole or in part as the basis for the manufacture or sale of items without written permission.

- NOTES:**
1. SEE INDEX LIST REFER TO: DDI RP15-0-1.
  2. ~~INSTALLATION SHOULD BE LOCATED AS CLOSE TO BOTTOM OF CABINET AS POSSIBLE BEFORE INSTALLATION OF STRAP. REMOVE PAINT AND CLEAN AREA TO INSURE GOOD GROUND.~~
  3. FOR INSTALLATION OF GROUND STRAP, SEE DRAWING NUMBER D-00-H950-0-0 (SHEET 4 OF 5)
  4. FAN MOUNTING IN FRONT OF CABINET
  5. 716 P.S. MOUNTED ON THE LEFT SIDE OF THE CABINET LOOKING FROM THE FRONT
  6. 841-B PC MOUNTED ON THE RIGHT SIDE OF THE CABINET LOOKING FROM THE FRONT



LOCATION OF SPEED NUTS ITEM # 18			
LOCATE ALL NUTS BY COUNTING HOLES FROM TOP OF CABINET FRAME			
HOLE NUMBERS			
	FRONT		REAR
3	34	61	93
7	39	66	97
12	43	70	102
16	48	75	106
21	52	79	110
25	57	84	BOTH
30	57	88	SIDES
LEFT SIDE HOLE NO'S		RIGHT SIDE HOLE NO'S	
1	FRONT	64	98
4	&	68	FRONT
7	&	76	&
10	REAR	87	REAR

REV.	NO.	DATE	BY	CHKD.	DESCRIPTION
A	1	12-2-71	J. ZEH		RP15-00010
B	2	12-2-71	J. ZEH		RP15-00010
C	3	12-2-71	J. ZEH		RP15-00010
D	4	12-2-71	J. ZEH		RP15-00010
E	5	12-2-71	J. ZEH		RP15-00010

FIRST USED ON OPTION / MODEL  
RP15

**DO NOT SCALE DRAWING**  
UNLESS OTHERWISE SPECIFIED  
DIMENSION IN INCHES

**TOLERANCES**  
DECIMALS: ± .005  
FRACTIONS: ± 1/64  
ANGLES: ± 0°30'FINAL SURFACE QUALITY: REMOVE BURRS AND BREAK SHARP CORNERS

**MATERIAL:** #

**FINISH:**

**DIGITAL EQUIPMENT CORPORATION**  
MAYNARD, MASSACHUSETTS

**RP15 UNIT ASSEMBLY**

D-AD-7006820-0-0  
SCALE: 1/2" = 1'-0"  
SHEET: 2 OF 2

SIZE CODE	NUMBER	REV.
DUA RP15-0-0		E

This drawing and specifications herein are the property of Digital Equipment Corporation and shall not be reproduced or copied in whole or in part or the basis for the manufacture or sale of items without written permission.

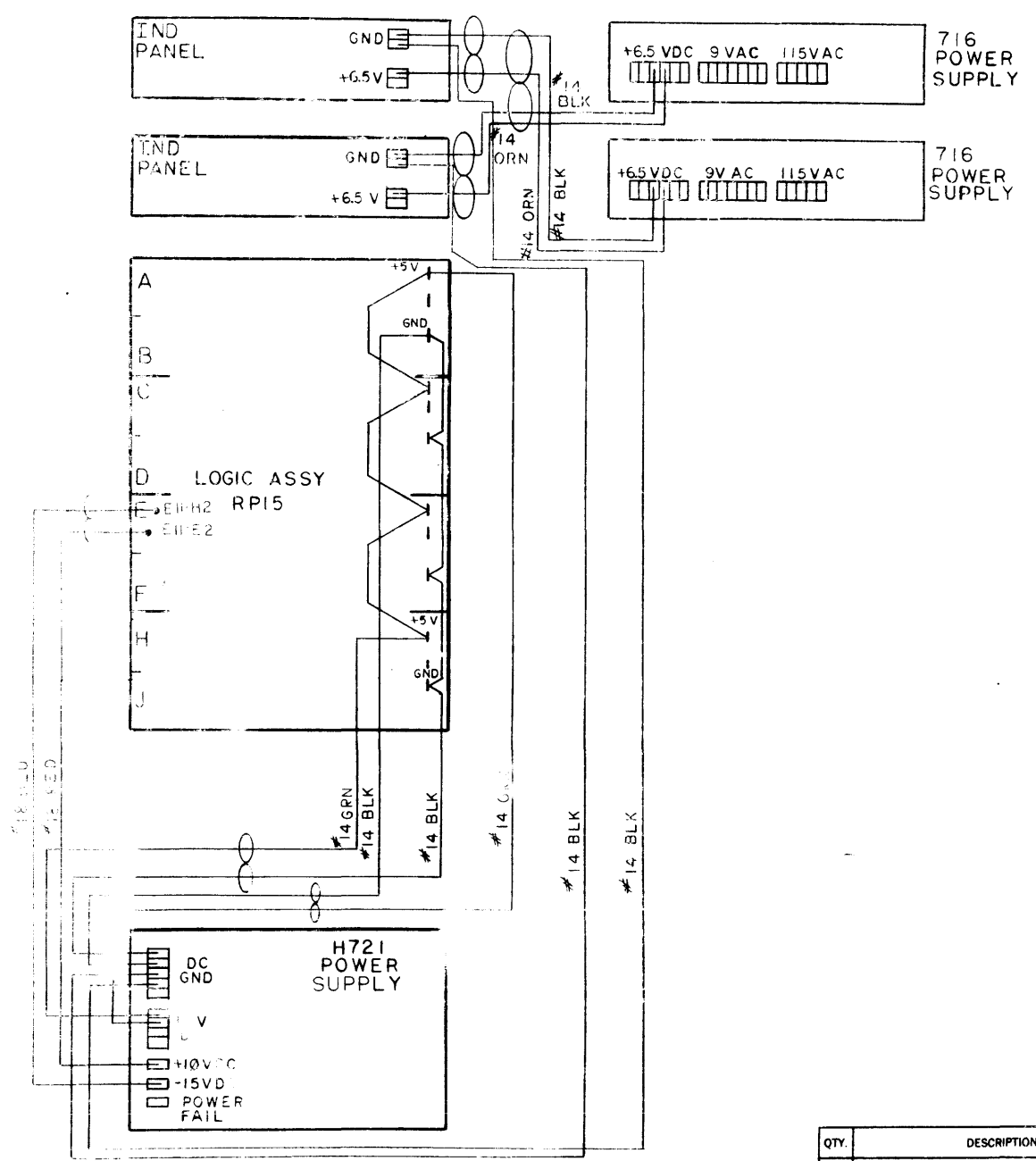
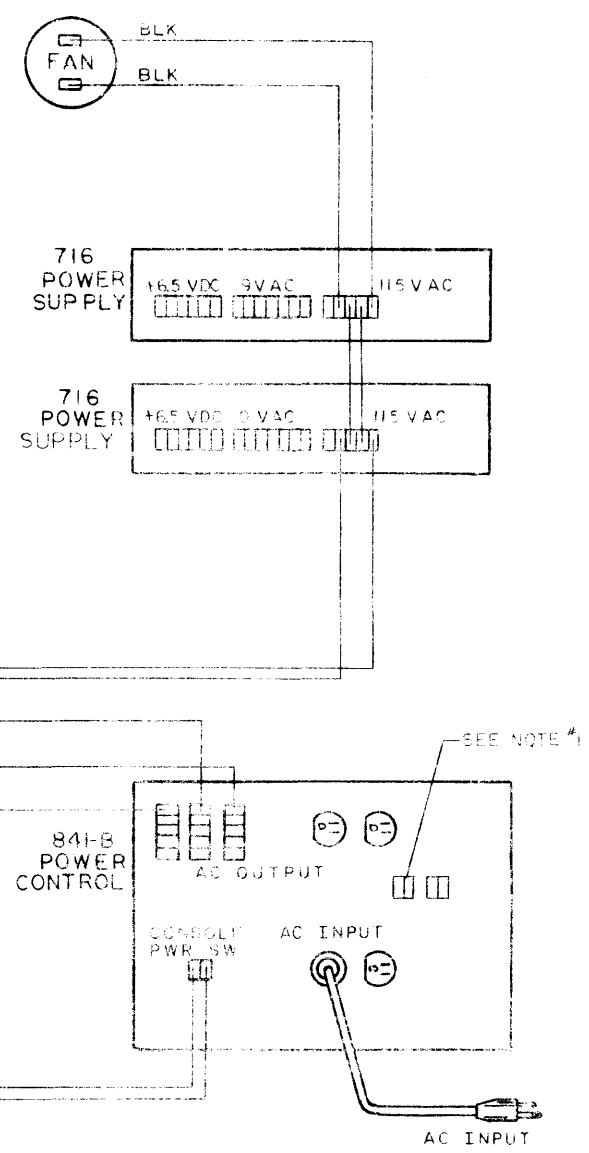
REV. E 0-0-015 RPI5

AC/DC POWER WIRING

AC

DC

- NOTES:
1. REMOVE THE TWO ORANGE JUMPERS LOCATED ON THE FACE OF THE 841B POWER CONTROL TO CONVERT TO 230 VAC. THESE JUMPERS ARE CLEARLY MARKED "JUMPER 115 VAC".
  2. REMOVE THE PERFORATED TOP ON THE LOGIC POWER SUPPLY (H721). TO CONVERT TO 230 VAC REMOVE JUMPERS BETWEEN POINTS 1 & 3, 3 & 5 AND 2 & 4 ON TERMINAL BLOCK MARKED TBI. ADD A JUMPER BETWEEN POINTS 2 & 3, 4 & 5 OF TBI.



REV.	
CHANGE NO.	
CHK	

FIRST USED ON OPTION/MODEL  
PDP 15

DO NOT SCALE DRAWING  
UNLESS OTHERWISE SPECIFIED  
DIMENSION IN INCHES  
TOLERANCES  
DECIMALS FRACTIONS ANGLES  
± .005 ± 1/64 ± 0°30'  
FINAL SURFACE QUALITY  
REMOVE BURRS AND BREAK SHARP CORNERS  
MATERIAL

QTY.	DESCRIPTION	PART NO.	ITEM NO.
	PARTS LIST		
	DIGITAL EQUIPMENT CORPORATION MAYNARD, MASSACHUSETTS		
	TITLE RPI5 UNIT ASSEMBLY		
	NEXT HIGHER ASSY D-AD-7006820 0-0		
	SCALE	NUMBER	REV.
	SHEET 2 OF 2	DUA RPI5-0-0	E

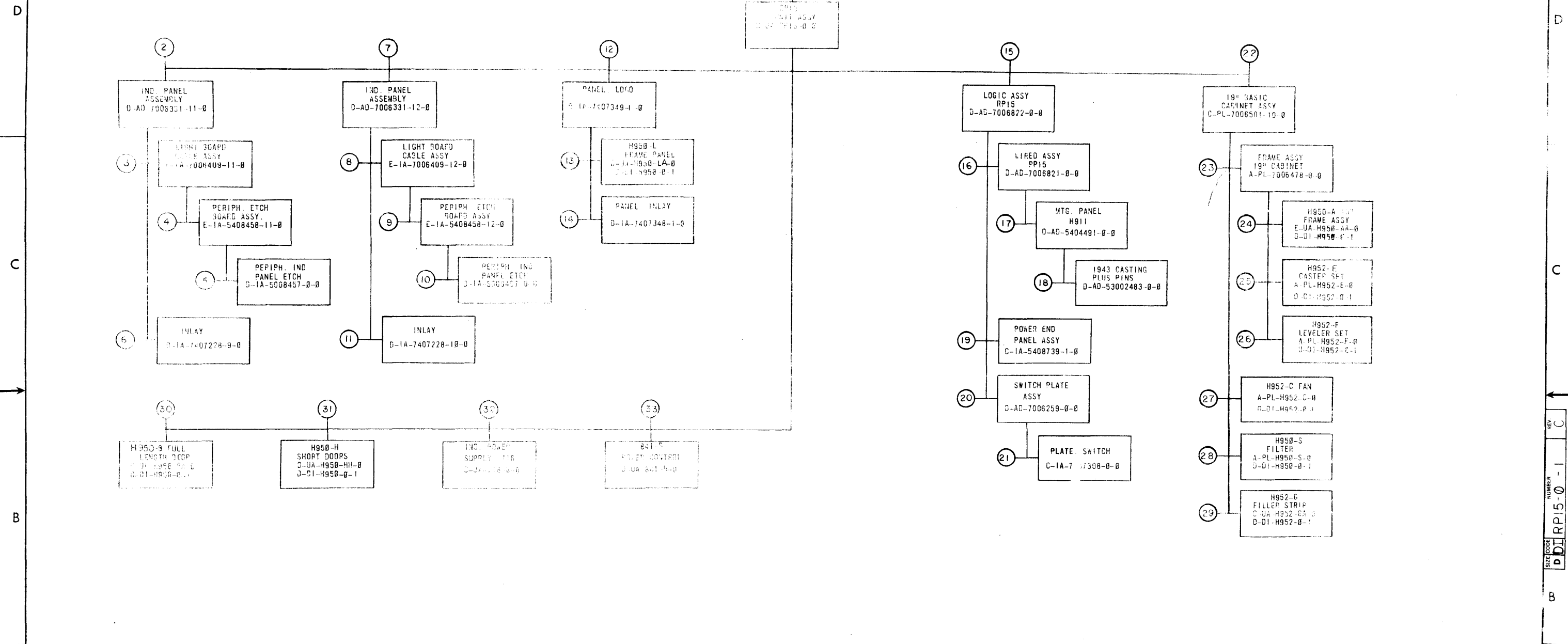


DIGITAL EQUIPMENT CORPORATION MAYNARD, MASSACHUSETTS					QUANTITY / VARIATION															
PARTS LIST																				
MADE BY P. LEBLANC		CHECKED V. DAMBRAUSKAS		SECTION																
DATE 3-2-70		DATE 4-21-70		1																
ENG <i>W. Buro</i>		PROD <i>George Burch</i>		ISSUED SECT.																
DATE 4-24-70		DATE 4-27-70		1																
ITEM NO.	DWG NO. / PART NO.	DESCRIPTION																		
1	D-IA-7407349-1-0	PANEL LOGO			1															
2	D-AD-7006331-11-0	INDICATOR PANEL ASSEMBLY			1															
3	D-AD-7006821-0-0	LOGIC ASSEMBLY RP15			1															
4	B5100	BLANK, PANEL (5½) 7402016			1															
5	B5100	BLANK PANEL (10½) 7402027			2															
6	1209603	POWER SUPPLY (H721)			1															
7	C-PL-7006501-10-0	BASIC CABINET ASSEMBLY			1															
8	D-UA-716-0-0	INDICATOR POWER SUPPLY 716			2															
9	D-UA-H95Ø-BA-Ø	H95Ø-B FULL LENGTH DOOR			1															
10	D-UA-841-B-Ø	POWER CONTROL 841-B			1															
11	D-MD-7407467-0-0	MTG Panel (841-GØ)			1															
12	D-UA-H95Ø-HH-Ø	H95Ø-H SHORT DOORS			1															
13	9008887	GROUND STRAP			A/R															
14	D-AD-7006331-12-0	INDICATOR PANEL ASSEMBLY			1															
15	9107673-25	POWER CORD 25FT			1															
16	9006568	NUT 5/16-18 KEPS			A/R															
17	D-MD-7408352-0-0	CABLE, BRACKET			1															
18	9007786	NUT #10-32 TINNEMAN #C31748-032-27			33															
19	9006074-3	SCR PH HD #10-32 5/8 L.G.			48															
20	9006074-2	SCR PH HD FLAT #10-32 5/8 SST			8															
21	9006040-3	SCR PH HD TRUSS #8-32 x 5/8 SST			4															
22	9006563	NUT, KEPS #8-32			4															
TITLE		ASSY NO.		SIZE	CODE	NUMBER		REV.	ECO NO.											
RP15 UNIT ASSEMBLY		D-UA-RP15-Ø-Ø		A	PL	RP15-Ø-Ø		E	RP15-00010											
		SHEET 1 OF 1		DIST.																

DEC FORM NO.  
DRA 110

This drawing and its contents remain the property of Digital Equipment Corporation and shall not be reproduced or copied in any form or by any means without the express written permission of Digital Equipment Corporation.

10 9188 100 2



REV.	CHG.	NO.	DATE	BY	DESCRIPTION
1					
2					
3					
4					
5					
6					
7					

DEC FORM NO. DRD 100

FIRST USED ON OPTION/MODEL  
RP15

DO NOT SCALE DRAWING  
UNLESS OTHERWISE SPECIFIED  
DIMENSION IN INCHES  
TOLERANCES  
DECIMALS FRACTIONS ANGLES  
± .005 ± 1/64 ± 0°30'  
FINAL SURFACE QUALITY  
REMOVE BURRS AND BREAK SHARP CORNERS

DATE	BY	DATE	BY	DATE	BY
3/17/70	W. J. Bland	3/17/70	W. J. Bland	3/17/70	W. J. Bland

PARTS LIST		<b>digital</b> EQUIPMENT CORPORATION MAYNARD, MASSACHUSETTS
TITLE		
DWG INDEX RP15		SIZE CODE: D NUMBER: RP15-0-1 REV.: C
SCALE	SHEET OF 2	DIST.

PART NUMBER  
D-AD-RP15-0-1

This drawing and specifications, herein, are the property of Digital Equipment Corporation and shall not be reproduced or copied or used in whole or in part as the basis for the manufacture or sale of items without written permission.

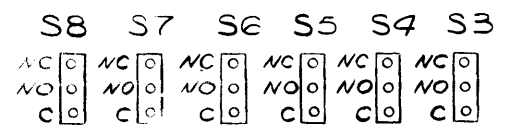
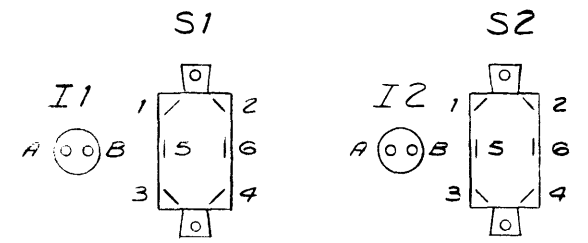
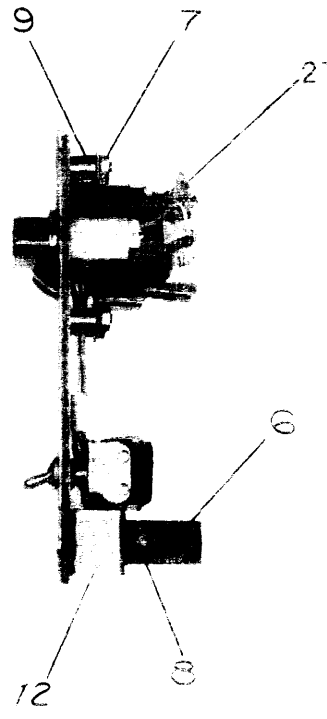
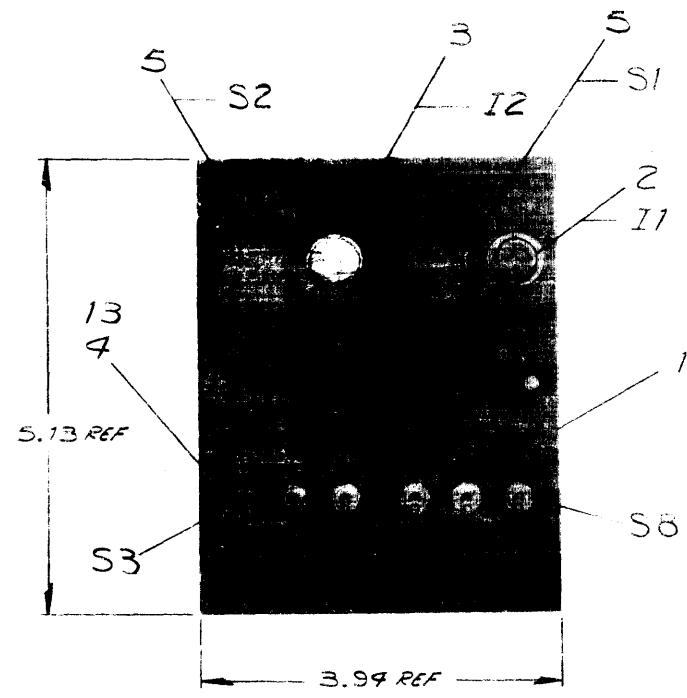
MECHANICAL					DEPT USAGE			MECHANICAL					DEPT USAGE			ELECTRICAL					DEPT USAGE			
FIND NO.	DESCRIPTION	PART NO.	PROD	CUST	F/C	FIND NO.	DESCRIPTION	PART NO.	PROD	CUST	F/C	FIND NO.	DESCRIPTION	PART NO.	PROD	CUST	F/C	FIND NO.	DESCRIPTION	PART NO.	PROD	CUST	F/C	
1.	RP15 UNIT ASSEMBLY RP15 UNIT ASSEMBLY (PL) POWER SUPPLY (H721) BLANK PANEL (5 1/4) 7402016 BLANK PANEL (10 1/2) 7402027 MOUNTING PANEL (841B) BRACKET, CABLE	D-UA-RP15-0-0 A-PL-RP15-0-0 1209603 B-5100 B-5100 D-MD-7407841-0-0 D-MD-7408352-0-0				15.	LOGIC ASSY RP15 LOGIC ASSY RP15 (PL) RIGHT END PANEL 4033 TO 4033 CABLE RETAINER BLOCK (H) RETAINER BLOCK	D-AD-7006822-0-0 A-PL-7006822-0-0 C-MD-5302486-0-0 C-1A-7405553-0-0 B-1A-7406257-0-0 C-1A-7405575-0-0				29.	H950-G FILLER STRIP H950-C FILLER STRIP (PL) DWG INDEX H950	C-UA-H950-GA-0 A-PL-H950-GA-0 D-DI-H950-0-1						RP15 WIRED ASSY RP15 WIRED ASSY (PL)	D-AD-7006821-0-0 A-PL-7006821-0-0			
2.	IND. PANEL ASSEMBLY IND. PANEL ASSEMBLY (PL) 5/8" SNAP ON BEZEL BENELEX MTG BRKT BENELEX	D-AD-7006331-11-0 C-PL-7006331-11-0 D-SC-1209226-0-0 D-1A-7407222-0-0 C-MD-7407086-3-0				16.	WIRED ASSY RP15 WIRED ASSY RP15 (PL) LOGIC FRAME DECALS 288 PIN BLOCK TYPE #H803	D-AD-7006821-0-0 A-PL-7006821-0-0 A-DC-7406371-0-0 E-SC-1205348-0-0				30.	H950-B FULL LENGTH DOOR H950-S FULL LENGTH DOOR (PL) DWG INDEX H950	D-UA-H950-BA-0 A-PL-H950-BA-0 D-DI-H950-0-1						RP15 MODULE UTILIZATION MODULE UTILIZATION (PL) MAINTENANCE CONTROL MAINTENANCE CONTROL BUFFER READ/WRITE CONTROL #1 READ/WRITE CONTROL #2 READ/WRITE CONTROL #3 DATA SEPARATOR CONTROL STATUS CONTROL #1 STATUS CONTROL #2 STATUS CONTROL #3 API CONTROL BUFFER REGISTER CONTROL DCH CONTROL SHIFT & LONG. REGISTER CONTROL TAG AND BUS LINE CONTROL WC & CA CONTROL MAJOR STATE CONTROL MAJOR STATE I/O SELECTION FUNCTION REGISTER WRITE FORMAT GENERATOR SECTOR WORD COUNT WRITE CHECK COMPARETOR 00-15 WRITE CHECK COMPARETOR 16-31 WRITE CHECK COMPARETOR 32-35 CYLINDER COMPARETOR CYLINDER ADDRESS REGISTER HEAD ADDRESS REGISTER SECTOR ADDRESS REGISTER WORD COUNT REGISTER CURRENT ADDRESS REGISTER BUFFER REGISTER 00-05, 18-23 BUFFER REGISTER 06-11, 24-29 BUFFER REGISTER 12-17, 30-35 SHIFT REGISTER 00-11 SHIFT REGISTER 12-23 SHIFT REGISTER 24-35 LONG. PARITY REGISTER 00-17 LONG. PARITY REGISTER 18-26 LONG. PARITY REGISTER 27-35 BUS MULTIPLEXER 00-05 BUS MULTIPLEXER 06-11 BUS MULTIPLEXER 12-17 MULTIPLEXER TERMINATOR 00-17 UNIT DISK DRIVERS BUS DISK DRIVERS DISK DRIVERS I/O BUS DRIVERS 00-17 I/O ADDRESS DRIVERS I/O BUS RECEIVERS I/O BUS INTERFACE DRIVE CONTROL CABLE INTERFACE INDICATOR INTERFACE LOCKOUT INTERFACE TIMING DIAGRAM ADJUSTMENT & MAINTENANCE WIRE LISTS RP15 SPECIFICATION	D-MU-RP15-0-02 A-PL-RP15-0-02 D-BS-RP15-0-03 D-BS-RP15-0-04 D-BS-RP15-0-05 D-BS-RP15-0-06 D-BS-RP15-0-07 D-BS-RP15-0-08 D-BS-RP15-0-09 D-BS-RP15-0-10 D-BS-RP15-0-11 D-BS-RP15-0-12 D-BS-RP15-0-13 D-BS-RP15-0-14 D-BS-RP15-0-15 D-BS-RP15-0-16 D-BS-RP15-0-17 D-BS-RP15-0-18 D-BS-RP15-0-19 D-BS-RP15-0-20 D-BS-RP15-0-21 D-BS-RP15-0-22 D-BS-RP15-0-23 D-BS-RP15-0-24 D-BS-RP15-0-25 D-BS-RP15-0-26 D-BS-RP15-0-27 D-BS-RP15-0-28 D-BS-RP15-0-29 D-BS-RP15-0-30 D-BS-RP15-0-31 D-BS-RP15-0-32 D-BS-RP15-0-33 D-BS-RP15-0-34 D-BS-RP15-0-35 D-BS-RP15-0-36 D-BS-RP15-0-37 D-BS-RP15-0-38 D-BS-RP15-0-39 D-BS-RP15-0-40 D-BS-RP15-0-41 D-BS-RP15-0-42 D-BS-RP15-0-43 D-BS-RP15-0-44 D-BS-RP15-0-45 D-BS-RP15-0-46 D-BS-RP15-0-47 D-BS-RP15-0-48 D-BS-RP15-0-49 D-BS-RP15-0-50 D-BS-RP15-0-51 B-1C-RP15-0-52 B-1C-RP15-0-53 B-1C-RP15-0-54 B-1C-RP15-0-55 D-TD-RP15-0-56 D-SP-RP15-0-57 K-WL-RP15-0-58 A-SP-RP15-0-59			
3.	LIGHT BOARD CABLE ASSY	E-1A-7006409-11-0				17.	H911 MTG PANEL H911 MTG PANEL (PL)	D-AD-5404491-0-0 A-PL-5404491-0-0				31.	H950-H SHORT DOORS H950-H SHORT DOORS (PL) DWG INDEX H950	D-UA-H950-HH-0 A-PL-H950-HH-0 D-DI-H950-0-1										
4.	PERIPH. ETCH BOARD ASSY	E-1A-5408458-11-0				18.	1943 CASTING PLUS PINS 1943 CASTING PLUS PINS (PL) 1943 FRAME CASTING	D-AD-5302483-0-0 A-PL-5302483-0-0 E-MD-1202885-0-0				32.	IND. POWER SUPPLY, 716 IND. POWER SUPPLY 716 (PL)	D-UA-716-0-0 A-PL-716-0-0										
5.	PERIPH. IND. PANEL ETCH X-Y COORDINATE HOLE LOCATION ASSY DRILLING HOLE LAYOUT	D-1A-5008457-0-0 K-CD-5408458-0-4 J-AH-5408458-0-5				19.	POWER END PANEL ASSY LEFT END PANEL MTG PANEL LABEL	D-1A-5408739-1-0 C-MD-5302485-0-0 A-SS-5408739-0-1				33.	841-3 POWER CONTROL 841-5 POWER CONTROL (PL)	D-UA-841-0-0 A-PL-841-0-0										
6.	INLAY FRONT SCREEN REAR SCREEN	D-1A-7407228-9-0 C-SS-7407228-0-10 C-SS-7407228-0-2				20.	SWITCH PLATE ASSY SWITCH PLATE ASSY (PL) 18 PIN RECEPT REWORK RPKT. SWITCH PLATE	D-AD-7006259-0-0 A-PL-7006259-0-0 P-MD-5503954-0-0 C-MD-7407595-0-0																
7.	IND. PANEL ASSEMBLY IND. PANEL ASSEMBLY (PL) 5/8" SNAP ON BEZEL BENELEX MTG BRKT BENELEX	D-AD-7006331-12-0 C-PL-7006331-12-0 D-SC-1209226-0-0 D-1A-7407222-0-0 C-MD-7407086-3-0				21.	PLATE SWITCH SILK SCREEN	C-1A-7407300-0-0 A-SS-7407300-0-1																
8.	LIGHT BOARD CABLE ASSY	E-1A-7006409-12-0				22.	191N. BASIC CAR. ASSY	C-PL-7006501-10-0																
9.	PERIPH. ETCH BOARD ASSY	E-1A-5408458-12-0				23.	FRAME ASSY 191N CAR	A-PL-7006470-0-0																
10.	PERIPH. IND. PANEL ETCH X-Y COORDINATE HOLE LOCATION ASSY DRILLING HOLE LAYOUT	D-1A-5008457-0-0 K-CD-5408458-0-4 J-AH-5408458-0-5				24.	H950-A 191N FRAME ASSY H950-A 191N FRAME ASSY (PL) DWG INDEX H950	E-UA-H950-AA-0 A-PL-H950-AA-0 D-DI-H950-0-1																
11.	INLAY FRONT SCREEN REAR SCREEN	D-1A-7407228-10-0 C-SS-7407228-0-11 C-SS-7407228-0-2				25.	H952-E CASTER SET DWG INDEX H952	A-PL-H952-E-0 D-DI-H952-0-1																
12.	PANEL. LOGO	D-1A-7407349-1-0				26.	H952-F LEVELER SET DWG INDEX H952	A-PL-H952-F-0 D-DI-H952-0-1																
13.	H950-L FRAME PANEL H950-L FRAME PANEL (PL) DWG INDEX H950	D-UA-H950-LA-0 A-PL-H950-LA-0 D-DI-H950-0-1				27.	H952-C FAN DWG INDEX H952	A-PL-H952-C-0 D-DI-H952-0-1																
14.	PANEL. INLAY	D-1A-7407348-1-0				28.	H950-S FILTER DWG INDEX H950	A-PL-H950-S-0 D-DI-H950-0-1																

REV. NO. CHANGE NO.	CHK	FIRST USED ON OPTION / MODEL RP15	DO NOT SCALE DRAWING		DATE	PARTS LIST		digital EQUIPMENT CORPORATION NATURAL MASSACHUSETTS	TITLE DWG INDEX RP15
			UNLESS OTHERWISE SPECIFIED		DATE	SCALE			
			DIMENSION IN INCHES		DATE	SHEET 2 OF 2			
			TOLERANCES		DATE	DIST.			
DECIMALS FRACTIONS ANGLES		PROJ. ENG.		DATE		NEXT HIGHER ASSY		SIZE CODE NUMBER REV.	
± .005 ± 1/64 ± 0°30'		3.1		4.2.20		D-UA-RP15-0-0		D DI RP15-0-1	
FINAL SURFACE QUALITY		PROD.		DATE		MATERIAL		REV. C	
REMOVE BURRS AND BREAK SHARP CORNERS		H		H		FINISH		H	

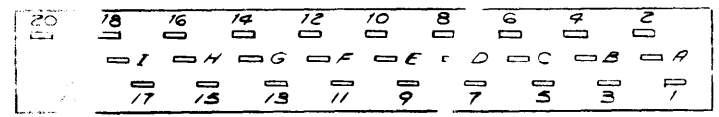
This drawing and specifications, hereon, are the property of Digital Equipment Corporation and shall not be reproduced or copied or used in whole or in part as the basis for the manufacture or sale of items without written permission.

0-0-592900Z  
AD 7006259-0-0

WIRED TABLE						WIRED TABLE					
ITEM NO.	DESCRIPTION	CONNECTIONS	EQUIP FROM WITH ITEMS	EQUIP TO WITH ITEMS		ITEM NO.	DESCRIPTION	CONNECTIONS	EQUIP FROM WITH ITEMS	EQUIP TO WITH ITEMS	
11	YEL	ST-1	27	27		24	VIO	SG-NC	PC-8	SOLDER	SOLDER
14	WHT/GRN	PC-17		27		25	GRY	ST-NO	PC-9		
17	WHT/GRN	PC-17		27		17	WHT/GRN	ST-NC	PC-10		
18	WHT/GRN	PC-16				16	WHT/GRN	SB-NC	PC-11		
19	WHT/GRN	PC-14				19	WHT/GRN	SB-NC	PC-12		
21	YEL	SG-C				11	YEL	SG-C	SG-C		
22	WHT/GRN	PC-13				11	YEL	SG-C	SG-C		
17	YEL	SG-C	27	27		11	YEL	SG-C	SG-C		
19	WHT/GRN	PC-13	SOLDER	SOLDER		11	YEL	SG-C	SG-C		
17	WHT/GRN	PC-2				11	YEL	ST-C	SB-C		
16	WHT/RED	PC-18				11	22	YEL	SB-C	SB-PC-3	SOLDER
21	WHT/VIO	PC-4				2	BLK	I-1-B	S1-5		27
23	BRN	PC-5				2	RED	I-1-A	S1-1		27
24	WHT	PC-6				3	BLK	I-2-B	S2-2		27
18	22	WHT/BL	PC-7	SOLDER	SOLDER	3	RED	I-2-A	S2-6		27



PC



WIRED DIAGRAM

REV	CHANGE NO.	DATE	BY	CHK
A	RPC9-0002	1-12-70	J. J. H.	
B	RPC9-0004	2-6-70	J. J. H.	
C	RPC9-0007	3-17-70	J. J. H.	
D	RPC9-0010	5-7-70	J. J. H.	
E	RPC9-0011	1-5-70	J. J. H.	
F	RPC9-0012	4-4-70	J. J. H.	

TOLERANCES  
DECIMALS  
.XXX = ± .005  
.XX = ± .02  
.X = ± .1

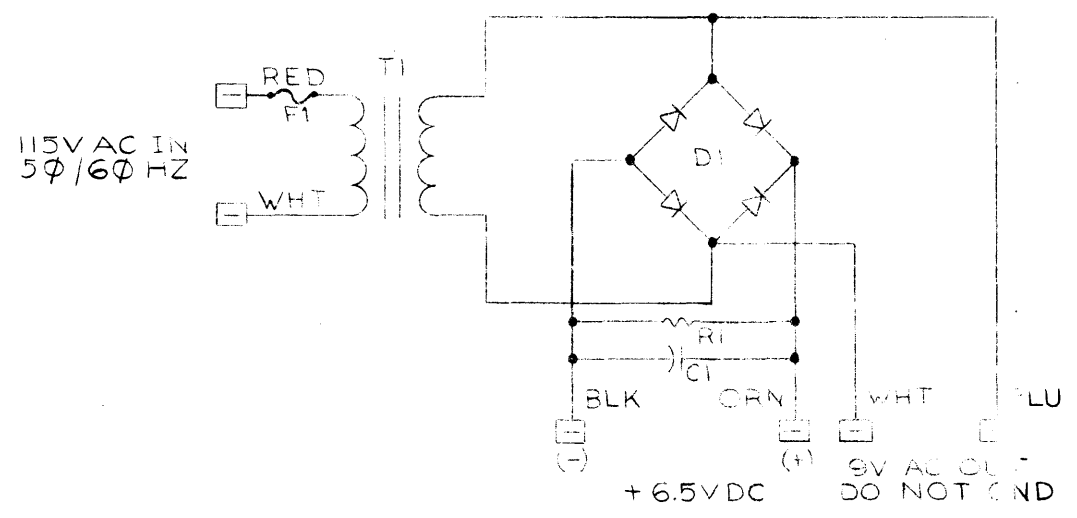
FIRST USED ON OPTION/MODEL RPC9-A	QTY.	DESCRIPTION	PART NO.	ITEM NO.
UNLESS OTHERWISE SPECIFIED	DRN. <i>Liberty</i>	DATE 9-10-69	PARTS LIST	
UNLESS OTHERWISE SPECIFIED	CHK'D <i>Liberty</i>	DATE 9/16/69	digital EQUIPMENT CORPORATION	
UNLESS OTHERWISE SPECIFIED	ENG. <i>J. J. H.</i>	DATE 1-5-70	TITLE	
DECIMALS FRACTIONS ANGLES	PROJ. ENG. <i>J. J. H.</i>	DATE 1-6-70	SWITCH PLATE ASSY	
FINAL SURFACE QUALITY	DRN. <i>J. J. H.</i>	DATE 1-6-70	REV.	
REMOVE BURRS AND BREAK SHARP CORNERS	NEXT HIGHER ASSY	D-AD-7006749-0-0	SIZE CODE	NUMBER
	SCALE	NONE	D-AD-7006259-0-0	
	SHEET	1 OF 1	DIST	

REV. D  
NUMBER  
D-AD-7006259-0-0

DIGITAL EQUIPMENT CORPORATION MAYNARD, MASSACHUSETTS <b>PARTS LIST</b>					QUANTITY / VARIATION										
MADE BY R. ROBICHAUD		CHECKED D. HEALY		SECTION		7006259-0									
DATE 9/10/69		DATE 9/12/69		1											
ENG J. ZEH		PROD G. BUNDY		ISSUED SECT.											
DATE 1-5-70		DATE 1-6-70		1											
ITEM NO.	DWG NO. / PART NO.	DESCRIPTION													
1	C-IA-7407308-0-0	PLATE, SWITCH				1									
2	1205299	LAMP#1090C24 IND DEV INC				1									
3	1202749	LAMP, #1090B44 IND DEV INC				1									
4	1201168	SWITCH #6AT1-T2 MICROSWITCH				6									
5	1204908	SWITCH, ROCKER #8132-K2 DPDT C.H.				2									
6	B-MD-5503954-0-0	18 PIN RECEP REWORK				1									
7	9006560	NUT KEP #6-32				4									
8	9006563	NUT KEP #8-32				2									
9	9006799	SPACER 1/4A.F. X #6 HOLE X 5/16 LG				4									
10	9107560-01	BUS WIRE #22 AWG				A/R									
11	9107350-44	WIRE #22 AWG TEF INS STRD YEL				A/R									
12	C-MD-7407595-0-0	BRKT, SWITCH PLATE				1									
13	9006712	WASH, NYLON 3/8 O.D. X 1/4I.D. X 1/32TH				6									
14	9107400-9 0	WIRE #22 AWG TEF INS STRD WHI / BLK				A/R									
15	9107400-9 1	WIRE #22 AWG TEF INS STRD WHI / BRN				A/R									
16	9107400-9 2	WIRE #22 AWG TEF INS STRD WHI / RED				A/R									
17	9107400-9 3	WIRE #22 AWG TEF INS STRD WHI / ORG				A/R									
18	9107400-9 4	WIRE #22 AWG TEF INS STRD WHI / YEL				A/R									
19	9107400-9 5	WIRE #22 AWG TEF INS STRD WHI / GRN				A/R									
20	9107400-9 6	WIRE #22 AWG TEF INS STRD WHI / BLU				A/R									
21	9107400-9 7	WIRE #22 AWG TEF INS STRD WHI / VIO				A/R									
22	9107400-9 8	WIRE #22 AWG TEF INS STRD WHI / GRY				A/R									
TITLE SWITCH PLATE ASSY			ASSY NO. D-AD-7006259-0-0		SIZE	CODE	NUMBER				REV.	ECO NO.			
			SHEET 1 OF 2		A	PL	7006259-0-0				D	RP09-00010			
					DIST.										

DIGITAL EQUIPMENT CORPORATION MAYNARD, MASSACHUSETTS <b>PARTS LIST</b>					QUANTITY / VARIATION										
MADE BY R. ROBICHAUD		CHECKED D. HEALY		SECTION		7006259-0									
DATE 9/10/69		DATE 9/12/69													
ENG J. ZEH		PROD G. BUNDY		ISSUED SECT.											
DATE 1/5/70		DATE 1/6/70													
ITEM NO.	DWG NO. / PART NO.	DESCRIPTION													
3	9107350-11	WIRE #22 AWG TEF INS STRD BRN				A/R									
4	9107350-77	WIRE #22 AWG TEF INS STRD VIO				A/R									
5	9107135-88	WIRE #22 AWG TEF INS STRD GRY				A/R									
6	9107135-99	WIRE #22 AWG TEF INS STRD WHI				A/R									
7	9007919	CONN ARKLES #50906				12									
	<del>9007925</del>	<del>CONN. ARKLES#50321</del>				<del>2</del>									
TITLE SWITCH PLATE ASSY			ASSY NO. D-AD-7006259-0-0		SIZE	CODE	NUMBER				REV.	ECO NO.			
			SHEET 2 OF 2		A	PL	7006259-0-0				0				
					DIST.										

THIS SCHEMATIC IS FURNISHED ONLY FOR TEST AND MAINTENANCE PURPOSES. THE CIRCUITS ARE PROPRIETARY IN NATURE AND SHOULD BE TREATED ACCORDINGLY. COPYRIGHT BY DIGITAL EQUIPMENT CORPORATION



F1	1/2 AMP S.B. FUSE	9007209
R1	5ohm 25W RES	1300165
C1	18000MFD 10V DC CAP	1009437
	PARTS LIST	D-UA-716-0-0
T1	XMFR*F64-U TRIAD	1609588
D1	DIODE PACK DM-2	1105397
REF DESIGNATION	DESCRIPTION	PART NO.

PARTS LIST

REV	ENG	NO	DATE
1	DR	716-0001	6-18-69
2	DR	716-0001	6-25-69
3	DR	716-0001	7-21-69
4	DR	716-0001	7-25-69

DRN. RAIMONDI	DATE 6-18-69	TRANSISTOR & DIODE CONVERSION CHART			
CHK'D HEALY	DATE 6-25-69	DEC	EIA	DEC	EIA
ENG. VONADA	DATE 7-21-69				
PROD. ANTONUCCIO	DATE 7-25-69				

digital		EQUIPMENT CORPORATION		MAYNARD, MASSACHUSETTS	
---------	--	-----------------------	--	------------------------	--

TITLE				CIRCUIT SCHEMATIC			
				716			
SIZE	CODE	NUMBER	REV.				
C	CS	716-0-1	C				
PRINTED CIRCUIT REV.							

SIZE: 716-0-1 REV: C

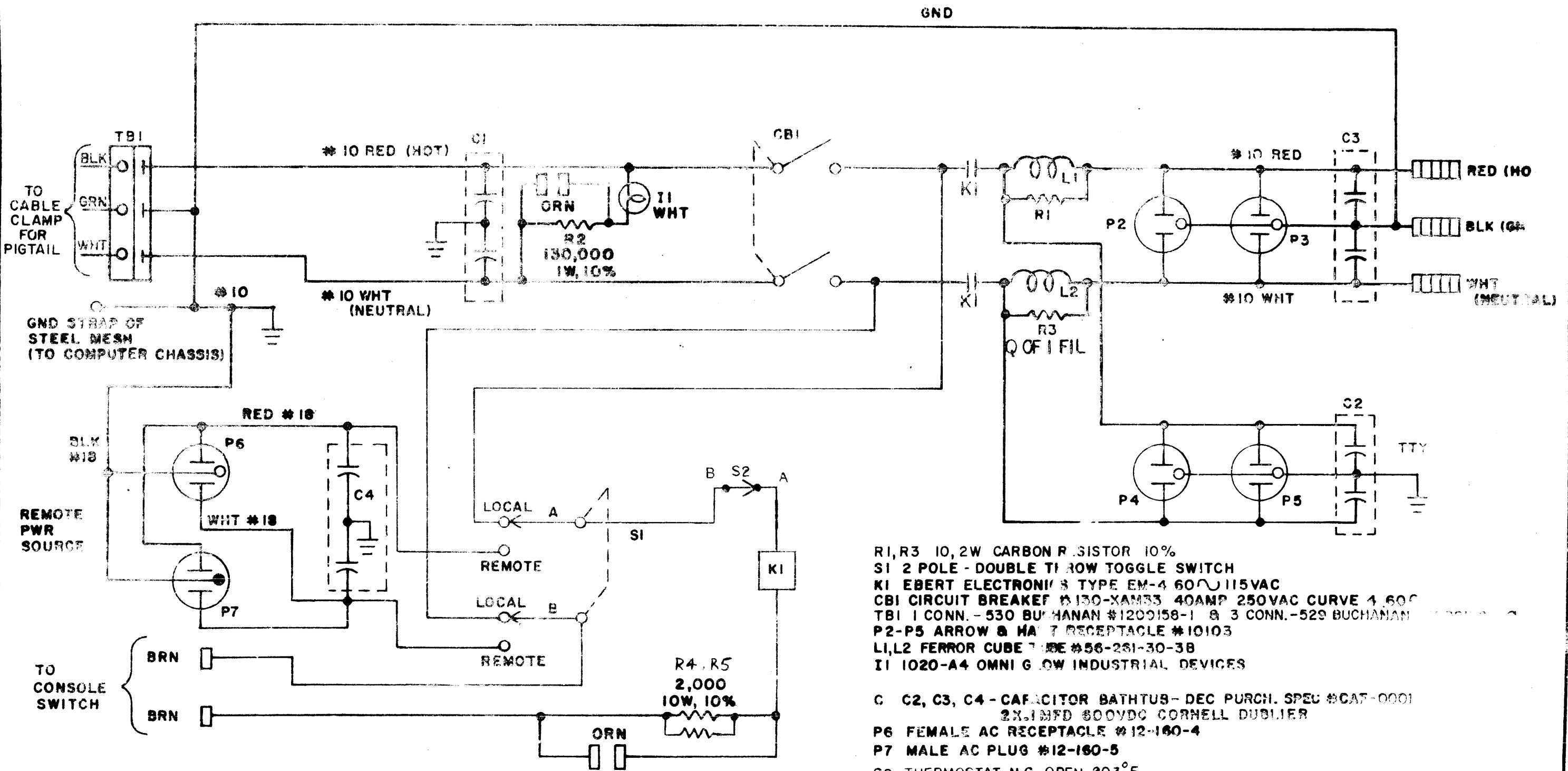
*Pink*

DIGITAL EQUIPMENT CORPORATION MAYNARD, MASSACHUSETTS <b>PARTS LIST</b>				QUANTITY / VARIATION																
MADE BY ROBECHARD		CHECKED D. HEALEY		SECTION																
DATE 6/5/69		DATE 6/6/69		1																
ENG S. ZNAMEROWSKI		PROD R. ANTONUICIO		ISSUED SECT.																
DATE 6/10/69		DATE 6/12/69		1																
ITEM NO.	DWG NO. / PART NO.	DESCRIPTION				716-0														
1	D-MD-5308466-0-0	PANEL, MTG 716 P.S.				1														
2	B-MD-5308465-0-0	BRACKET MTG. TERMINAL				1														
3	1105397	DIODE PACK DM-2				1														
4	1609588	TRANSFORMER #F64-U TRIAD				1														
5	9007919	CONN SOLDERLESS #50906 ARKLESS				20														
6	9007234	BUSHING JUNC TERM ORN #DC-202-1 HEYMAN				3														
7	9007237	BUSHING JUNC TERM BLK, #DC-202-1 HEYMAN				3														
8	9007232	BUSHING JUNC TERM BLU, #DC-202-1 HEYMAN				4														
9	9007235	BUSHING JUNC TERM WHT, #DC-202-1 HEYMAN				7														
10	9007231	BUSHING JUNC TERM RED, #DC-202-1 HEYMAN				3														
11	9007238	TERM TAB T-202-S HEYMAN				20														
12	9006022-1	SCR PHL HD PAN #6-32 x 3/8 LG SST				9														
13	9007794-1	SCR PHL HD PAN #6-32 x 11/16 LG SST				2														
14	9006633	WASH INT TOOTH LOCK #6 SST				8														
15	9006071-1	SCR PHL HD PAN #10-32 x 3/8 LG SST				4														
16	9006635	WASH INT TOOTH LOCK #10 SST				4														
17	9007031	TIE WRAP SST-1B PANDUIT				AR														
18	9107560-1	WIRE BUSSING #22 AWG				AR														
19	9107305-02	TUBING, SHRINKABLE, RED 3/16 D x 9/16 LG				2														
20	9107370-99	WIRE, STRANDED #14 TEF INS WHT				AR														
21	9107370-65	WIRE, STRANDED #14 TEF INS BLU				AR														
22	9107370-33	WIRE, STRANDED #14 TEF INS ORN				AR														
TITLE		INDICATOR POWER SUPPLY 716		ASSY NO. D-UA-716-0-0		SIZE CODE <b>A PL</b>		NUMBER 716-0-0				REV. F		ECO NO. 716-00008						
		SHEET 1 OF 2		DIST.																

DIGITAL EQUIPMENT CORPORATION MAYNARD, MASSACHUSETTS <b>PARTS LIST</b>				QUANTITY / VARIATION																
MADE BY ROBECHARD		CHECKED D. HEALEY		SECTION																
DATE 6/5/69		DATE 6/6/69		1																
ENG S. ZNAMEROWSKI		PROD R. ANTONUICIO		ISSUED SECT.																
DATE 6/10/69		DATE 6/12/69		1																
ITEM NO.	DWG NO. / PART NO.	DESCRIPTION				716-0														
33	9107370-00	WIRE, STRANDED #14 TEF INS BLK				AR														
34	A-DC-5308448-0-0	DECAL, 716 POWER SUPPLY				AR														
35		THERMAL COMPOUND #340 DOW CORNING				AR														
36	1009437	CAP 18000 MFD 10V				1														
37	1300655	RESISTOR 5ohm 25W 5%				1														
38	9006633	SCR PHL PAN HD 6-32 x 2-1/2 SST				1														
39	9009052	CAP MOUNTING BRACKET				1														
40	9006829	SPACER 1/2AFX x 3/8LG #10 HOLE AL				1														
41	9007776	TAB #61349-1 AMP				2														
42	9006674	WASH #916 CORE WARD LEONARD				2														
43	9006996	#4405 FUSE HOLDER				1														
44	9007209	1/2 AMP S.B. FUSE				1														
45	9006859	THREADED STAND OFF 3/4 6-32				2														
46	7404508	FIBER COVER PLATE				1														
47	9006633	A6 INTERNAL LOCK WASHER				2														
38	A-PI-3700120-0-0	PACKAGING INSTRUCTION				1														
REF	C-CS-716-0-1	CIRCUIT SCHEMATIC																		
TITLE		INDICATOR POWER SUPPLY		ASSY NO. D-UA-716-0-0		SIZE CODE <b>A PL</b>		NUMBER 716-0-0				REV. F		ECO NO.						
		SHEET 2 OF 2		DIST.																

THIS SCHEMATIC IS FURNISHED ONLY FOR TEST AND MAINTENANCE PURPOSES. THE CIRCUITS ARE PROPRIETARY IN NATURE AND SHOULD BE TREATED ACCORDINGLY. COPYRIGHT 1969 BY DIGITAL EQUIPMENT CORPORATION

REV NUMBER SIZE CODE



- R1, R3 10, 2W CARBON RESISTOR 10%
- S1 2 POLE - DOUBLE THROW TOGGLE SWITCH
- KI EBERT ELECTRONICS TYPE EM-4 60/115VAC
- CBI CIRCUIT BREAKER #130-XAM33 40AMP 250VAC CURVE 1 60C
- TBI 1 CONN. - 530 BUCHANAN #1209158-1 & 3 CONN. - 529 BUCHANAN
- P2-P5 ARROW & HALF RECEPTACLE #10103
- L1, L2 FERROR CUBE TYPE #56-261-30-3B
- I1 1020-A4 OMNI GLOW INDUSTRIAL DEVICES
- C2, C3, C4 - CAPACITOR BATHTUB - DEC PURCH. SPEC #CAT-0001  
2X.1MFD 800VDC CORNELL DUBLIER
- P6 FEMALE AC RECEPTACLE #12-160-4
- P7 MALE AC PLUG #12-160-5
- S2 THERMOSTAT N.C. OPEN 203°F

REVISIONS CHK CHG NO. REV 7-10-14 A 10-14 B 10-14 C	DRN. <i>M. Haller</i>	DATE 2-17-69	TRANSISTOR & DIODE CONVERSION CHART				<b>digital</b> EQUIPMENT CORPORATION MAYNARD, MASSACHUSETTS	TITLE POWER CONTROL 841B			
	CHK'D	DATE 2-20-69	DEC	EIA	DEC	EIA		SIZE B	CODE CS	NUMBER 841-B-1	RF C
	ENG <i>K. Margeson</i>	DATE 2-25-69						PRINTED CIRCUIT REV.			
	PROD.	DATE									



DIGITAL EQUIPMENT CORPORATION  
MAYNARD MASSACHUSETTS

PARTS LIST

QUANTITY / VARIATION

MADE BY K. GULICK  
DATE 2/19/69  
E.C. K. Sullivan  
DATE 3/25/69

CHECKED DICK REILLY  
DATE 2/19/69  
PROD B. Sullivan  
DATE 3/25/69

SECTION 1  
ISSUED SECT. 1

ITEM	DWG NO. / PART NO.	DESCRIPTION	QUANTITY / VARIATION	
			841-B	841-C
1	E-IA-5308295-8-0	CHASSIS-841-B	1	1
2	9007231	BUSH TERM DC-202-1 RED	5	5
3	9007238	TAB SOLDER T-202-S	15	15
4	9007237	BUSH TERM DC-202-1 BLK	5	5
5	9007235	BUSH TERM DC-202-1 WHT	5	5
6	9107560-5	WIRE #14 AWG SOLID BUSSING	A/RA/R	
7	B-IA-5304373-0-0	RECEPTACLE ASSEMBLY	2	2
8	9006024-1	SCR PHL H PAN 6-32 x 1/2 SST	10	10
9	9006633	WASH INT TOOTH LOCK	12	12
10	10-02153	CAP-BATH 1000VDC 440 AC 2 x .1 MFD	4	4
11	9006022-1	SCR PHL H PAN 6-32 x 3/8 SST	18	18
12	9006560	NUT KEPS 6-32	16	16
13	9007089	CLAMP 3/4 NYLON	1	1
14	1209158-0	BARRIER STRIP 3 BUCHANNAN 529 MD	3	3
15	9006656	WASH FLAT #6	2	2
16	<del>9008283</del>	<del>REL #50918-1</del>	<del>55</del>	<del>55</del>
17	<del>9007115</del>	<del>TERMINAL #41200 AMP</del>	<del>2</del>	<del>2</del>
18	1201219-02	CIR BREAKER AM388MG 40 AMP 250V	1	1
19	12-05303	LAMP #1020A4 (WHT) OMNI GLOW	1	1
20	1204816	SW TOGGLE 7592K9 CUTLER HAM	1	1
21	9007633	BUSH TERM DC-202-1 BRN	2	2
22	9007239	TAB DOUB MALE T-202-D	6	6

TITLE POWER CONTROL 841-B&C  
ASSY NO. D-UA-841B  
SIZE CODE A PL  
NUMBER 841-B-0  
SHEET 1 OF 4  
REV. ECO NO. 00009

DIGITAL EQUIPMENT CORPORATION  
MAYNARD MASSACHUSETTS

PARTS LIST

QUANTITY / VARIATION

MADE BY K. GULICK  
DATE 3/19/69  
E.C. K. Sullivan  
DATE 3-11-69

CHECKED D. REILLY  
DATE 2/19/69  
PROD B. Sullivan  
DATE 3/25/69

SECTION 1  
ISSUED SECT. 1

ITEM	DWG NO. / PART NO.	DESCRIPTION	QUANTITY / VARIATION	
			841-B	841-C
1	B-DC-205102-0-0	DECAL 841-B + 841-C	1	1
2	D-MD-5308214-0-0	COVER	1	1
3	9007235	GROMMET CATERPILAR 1/16	A/RA/R	
4	1201252	PLUG #160-5 AMPHENOL	1	1
5	1201251	RECP #160-4 AMPHENOL	1	1
6	<del>9107440-4</del>	<del>WIRE #10 RED &amp; WHT STRD</del>	<del>A/RA/R</del>	
7	<del>9107370-1</del>	<del>WIRE #10 BLK STRD</del>	<del>A/RA/R</del>	
8	9107278-10	TUBING #18 WHITE	A/RA/R	
9	1305603	RESISTOR 2K 10W 10%	2	
10	1305604	RESISTOR 130K 1W 5%	1	1
11	<del>9107360-3</del>	<del>WIRE #18 RED STRD</del>	<del>A/RA/R</del>	
12	<del>9107360-10</del>	<del>WIRE #18 WHT STRD</del>	<del>A/RA/R</del>	
13	<del>9107255</del>	<del>SHRINK TUBING WHT</del>	<del>A/RA/R</del>	
14	<del>9107438-2</del>	<del>WIRE #18 RED &amp; WHT STRD</del>	<del>A/RA/R</del>	
15	12-05768	RELAY EM-4 120 VAC	1	-
16	9006071-1	PHL H PAN 10-32 x 3/8 SST	2	2
17	9006565	NUT KEPS HEX 10-32	2	2
18	1300172	RESISTOR 10 OHMS 3W 10%	2	2
19	1605147	FERRITE CUBE TUBE #56-261-30-38	2	2
20	9007234	BUSH TERM DC-202-1 ORN	4	4
21	9107278-3	TUBING #18 RED	A/RA/R	
22	9007015	GROMMET #1043-M	1	1

TITLE POWER CONTROL 841-B&C  
ASSY NO. D-UA-841B  
SIZE CODE A PL  
NUMBER 841-B-0  
SHEET 2 OF 4  
REV. ECO NO. 00009

DIGITAL EQUIPMENT CORPORATION MAYNARD, MASSACHUSETTS <b>PARTS LIST</b>					QUANTITY/VARIATION										
MADE BY K. GULICK DATE 9/19/66		CHECKED D. REILLY DATE 2/19/69		SECTION 1	841-B	841-C									
ENG K. MORGESON DATE 3-11-69		PROD DATE 3-25-69		ISSUED SECT. 1											
ITEM NO.	DWG NO. / PART NO.	DESCRIPTION			841-B	841-C									
45	1209158-1	BARRIER STRIP BUCHANNAN 530			1	1									
46	9007920	TERMINAL BRK LEE 50906 7			6	6									
47	9107390-1	WIRE #20 BRK 5 RD			A/R	A/R									
48	1209406-1	CONTACTOR 30A 2P OR USE -03			-	1									
49	9007055	DOT FASTENER #BS 48150			5	5									
50	9006782	CONN AMP 34071			1	1									
51	9007917	CONN AMP			22	22									
52	A-PI-3700059-0-0	841 POWER CONTROL INTERPLANT			1	1									
		SHIPPING PACKAGE													
53	9007930	TERMINAL			-	2									
54	9107360-22	WIRE #18 RED			A/R	A/R									
55	9107370-22	WIRE #14 RED			A/R	A/R									
56	9107370-99	WIRE #14 WHT			A/R	A/R									
57	9107390-22	WIRE #10 RED			A/R	A/R									
58	9107390-99	WIRE #10 WHT			A/R	A/R									
59	9107390-55	Wire #10 GRN			A/R	A/R									
60	9007926-01	YEL RING TERMINAL #10 HOLE			A/R	10									
61	9007920	YEL FASTON			A/R	3									
62	9007928	BLU RING TERMINAL #10 HOLE			A/R	4									
63	9007969	BLU FASTON			A/R	20									
64	9007930	RED RING TERMINAL #10 HOLE			A/R	2									
65	9007970	RED FASTON			A/R	10									
TITLE POWER CONTROL 841-B&C				ASSY NO. D-UA-841B	SIZE CODE <b>A PL</b>	NUMBER 841-B-0				REV. L	ECO NO.				
				SHEET 3 OF 4	DIST.										

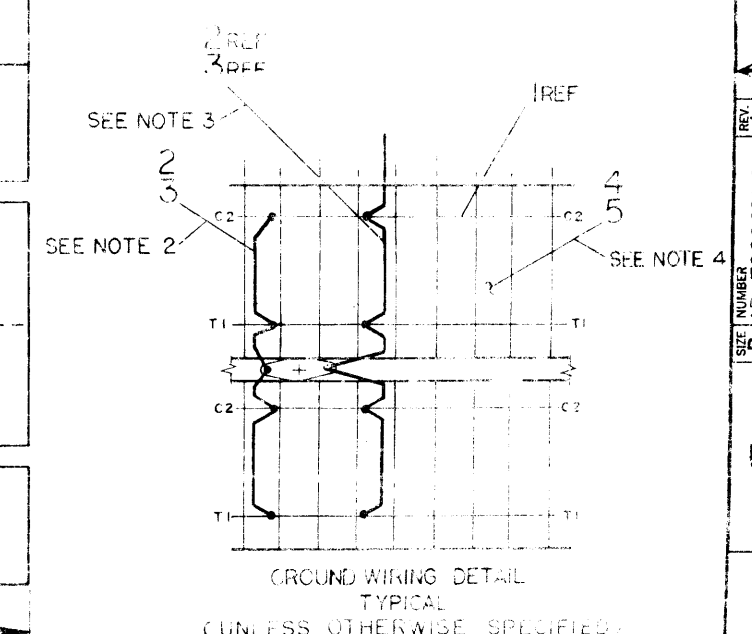
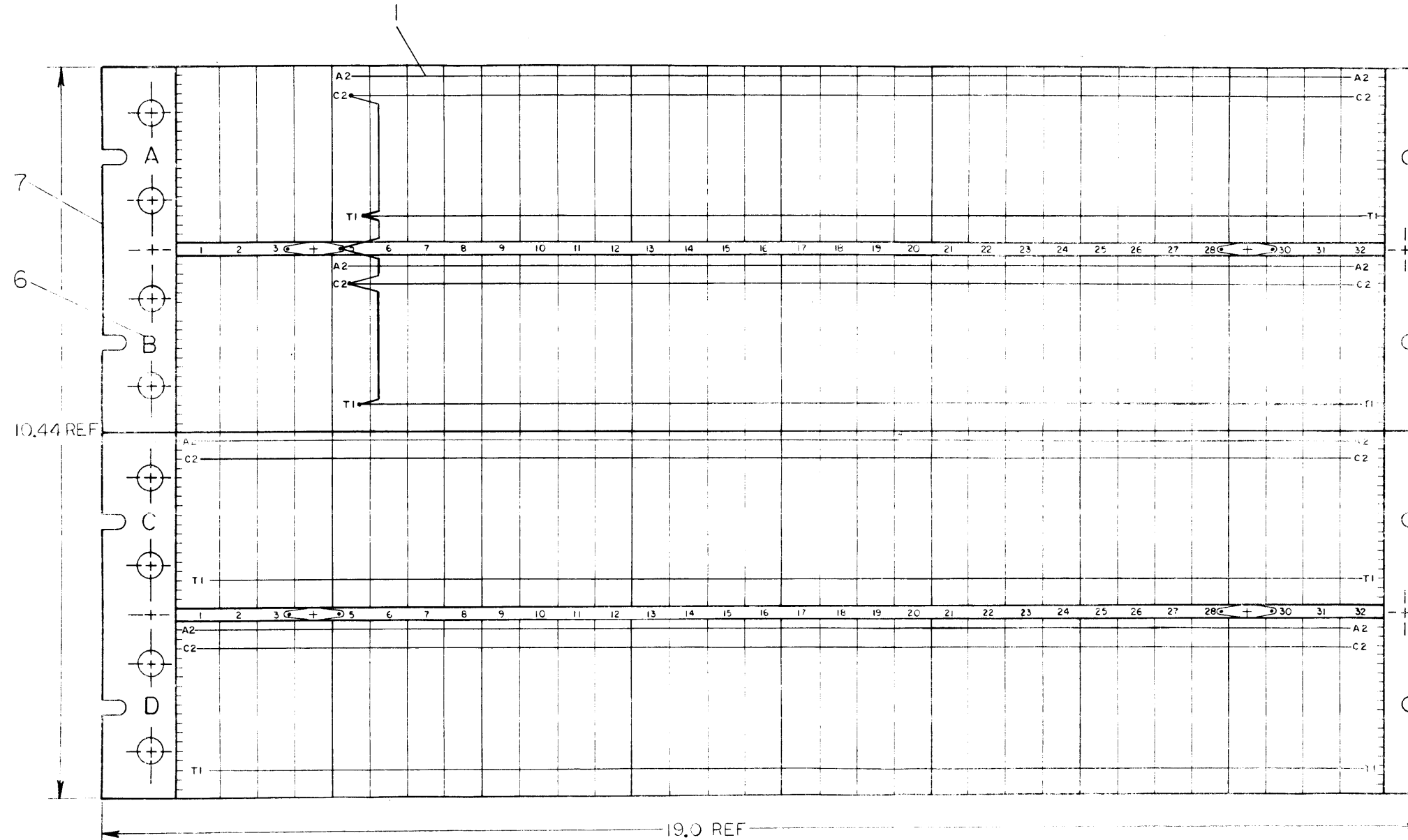
DEC FORM DEC 16-(325)-1031-N870  
DRA 110

DIGITAL EQUIPMENT CORPORATION MAYNARD, MASSACHUSETTS <b>PARTS LIST</b>					QUANTITY/VARIATION										
MADE BY K. GULICK DATE 9-19-66		CHECKED D. REILLY DATE 2-19-69		SECTION 1	841-B	841-C									
ENG K. MORGESON DATE 3-11-69		PROD DATE 3-25-69		ISSUED SECT. 1											
ITEM NO.	DWG NO. / PART NO.	DESCRIPTION			841-B	841-C									
66	9107360-99	WIRE #18 WHT			A/R	A/R									
67	9006655	WASHER 4-40			2	2									
68	9006014-1	SCREW 4-40 X 5/8			1	1									
69	9006557	KEPNUT 4-40			1	1									
70	9006801	SPACER 1/4 X 3/8			1	1									
71	1210007	THERMOSTAT N.C.			1	1									
TITLE POWER CONTROL 841-B&C				ASSY NO. D-UA-841B	SIZE CODE <b>A PL</b>	NUMBER 841-B-0				REV.	ECO NO.				
				SHEET 4 OF 4	DIST.										

DEC FORM DEC 16-(325)-1031-N870  
DRA 110

This drawing and specifications, herein, are the property of Digital Equipment Corporation and shall not be reproduced or copied or used in whole or in part as the basis for the manufacture or sale of items without written permission.

- NOTES:
1. CONNECTIONS ON ITEM NUMBER 1 & 2 TO BE LOCATED AND SOLDERED AT THE WIRE BLOCKS.
  2. ALL WIRE BUCKS TO BE GROUNDED TO GROUND LUGS AS SHOWN, 4 PLACES.
  3. JUMPER GROUND BUSSING AS SHOWN, 8 PLACES.
  4. USE #14 AWG WIRE (#4 FOR MACHINE WRAPPED AND BLUE WIRE #15) FOR HAND WRAPPED WIRING.



REV	CHANGE NO.	DATE
1	PP15-01-18	
2		
3		

FIRST USED ON OPTION/MODEL	QTY.	DESCRIPTION	PART NO.	ITEM NO.
RP15				
PARTS LIST				
DO NOT SCALE DRAWING	DRN	DATE	<b>digital</b> EQUIPMENT CORPORATION WAREHOUSE 1000 WASHINGTON STREET BOSTON, MASSACHUSETTS 02111	
UNLESS OTHERWISE SPECIFIED	CHKD.	DATE		
TOLERANCES	ENG	DATE		
DIMENSIONS IN PARENTESIS ARE ANGLES	PROJ. ENG.	DATE		
FINAL SURFACE QUALITY	PROD.	DATE	WIRED ASSY RP15	
REMOVE BURRS AND BREAK SHARP CORNERS				
MATERIAL	NEXT HIGHER ASSY			
	D AD-7006822 0 0			
SCALE	D AD-7006821 0 0			

REV. 1  
 SIZE NUMBER  
 D AD-7006821-0-0  
 CP

This drawing and specifications herein are the property of Digital Equipment Corporation and shall not be reproduced or copied or used in whole or in part as the basis for the manufacture or sale of items without written permission.

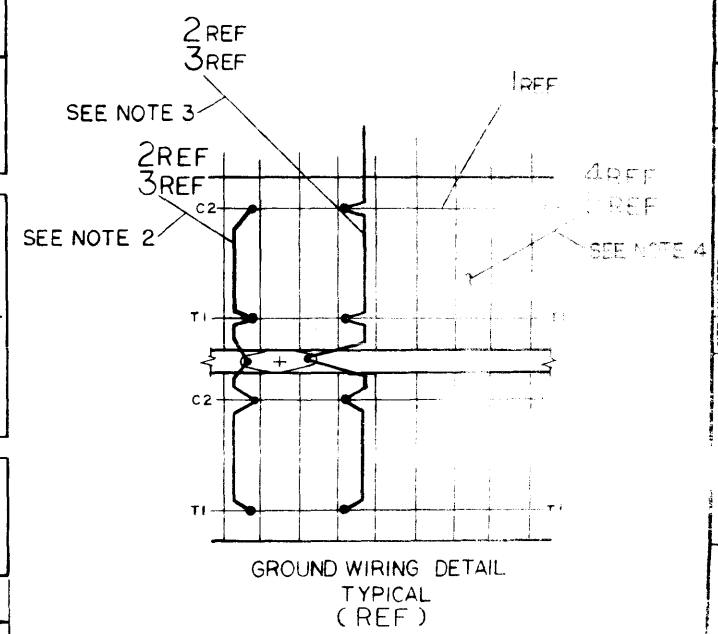
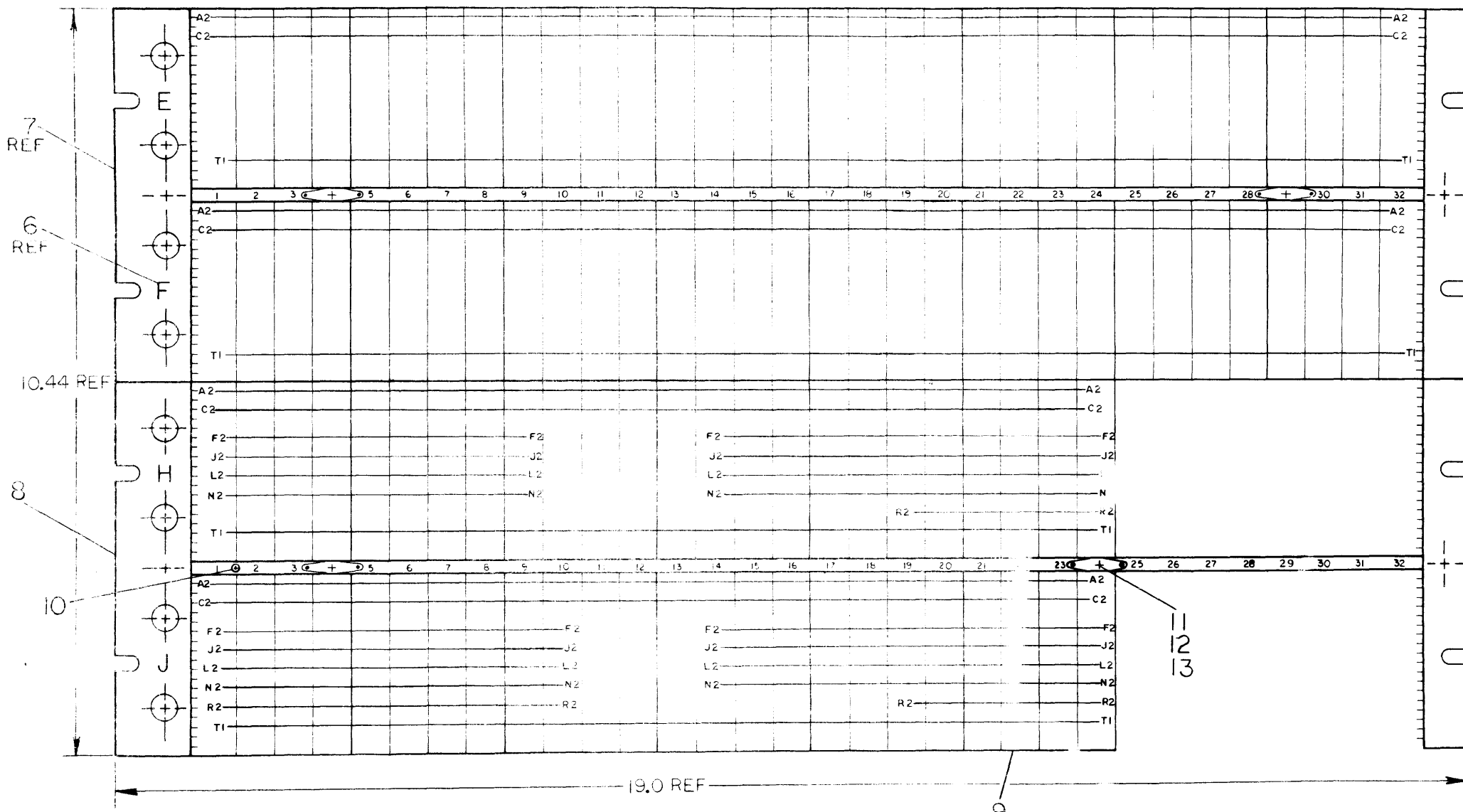
- NOTES:
1. CONNECTIONS ON ITEM NUMBER 1, 2 TO BE LOCATED AND SOLDERED AT MINIMUM PRACTICAL HEIGHT ABOVE BORDERS.
  2. ALL CONNECTOR BLOCKS TO BE GROUND TO GROUND LUGS AS SHOWN IN REF.
  3. JUMPER GROUND BUSSING AS SHOWN IN 8 PLACES.
  4. USE YELLOW WIRE (ITEM #4) FOR MACHINE WRAPPED AND BLUE WIRE (ITEM #5) FOR HAND WRAPPED WIRING.

D

C

B

A



REV. A SIZE NUMBER D AD 7006821 0-0

REVISIONS	REV.
CHANGE NO.	
CHK	

FIRST USED ON OPTION/MODEL RPI5	QTY.	DESCRIPTION	PART NO.	ITEM NO.
PARTS LIST				
digital EQUIPMENT CORPORATION MAYNARD, MASSACHUSETTS				
TITLE WIRED ASS'Y RPI5				
NEXT HIGHER ASSY D-AD-7006822-0-0				
SCALE NONE				
SHEET 2 OF 2				
SIZE CODE NUMBER D AD 7006821 0-0				
REV. A				

DIGITAL EQUIPMENT CORPORATION MAYNARD, MASSACHUSETTS <b>PARTS LIST</b>				QUANTITY / VARIATION											
MADE BY P.J. LeBlanc		CHECKED V. DAMBRAUSKAS		SECTION											
DATE 3-31-70		DATE 4-22-70		1											
ENG W. Minor		PROD G. Bundy		ISSUED SECT.											
DATE 4-24-70		DATE 4-27-70		1											
ITEM NO.	DWG NO. / PART NO.	DESCRIPTION													
1	1205541	BUS STRIP				A/R									
2	9107560-01	22 AWG BUS WIRE				A/R									
3	9107256-09	#22 TUBING, TEFLON, WHITE				A/R									
4	9105740-44	30 AWG SOLID TEF INS. WIRE, YELLOW				A/R									
5	9105740-66	30 AWG SOLID TEF INS. WIRE, BLUE				A/R									
6	A-DC-7406371-0-0	LOGIC FRAME DECALS				A/R									
7	D-AD-5404491-0-0	H911 MTG PANEL				3									
8	D-AD-5302483-0-0	1943 CASTING				1									
9	E-SC-1205348-0-0	288 PIN CONN BLOCK TYPE #H803				6									
10	9006040-1	SCR PH HD #8-32 x 5/8 LG				12									
11	9007597	TERM #2116-08-00 SHAKEPROOF				2									
12	9006035-1	SCR PH HD #8-32 x 1/4 LG				2									
13	9006634	WASHER INT TOOTH #8				4									
14	A-WT-7006821-0	RP15 AWT REVISION STATUS				REF									
TITLE		ASSY NO.		SIZE CODE		NUMBER				REV.		ECO NO.			
WIRED ASSY RP15		D-AD-7006821-0-0		<b>A PL</b>		7006821-0-0				<b>A</b>		RP15-00018			
SHEET 1 OF 1				DIST.											

This drawing and specifications, herein, are the property of Digital Equipment Corporation and shall not be reproduced or copied or used in whole or in part as the basis for the manufacture or sale of items without written permission.

# MASTER DRAWING LIST

DWG. NO.	REV. LET.	NO. OF SHEETS	TITLE
D-UA-RP15-0-0	E	2	RP15 UNIT ASSEMBLY
A-PL-RP15-0-0	E	1	RP15 UNIT ASSEMBLY (PL)
D-DI-RP15-0-1	C	2	RP15 DRAWING INDEX
D-AD-7006821-0-0	B	2	RP15 WIRED ASSY
A-PL-7006821-0-0	B	1	RP15 WIRED ASSY (PL)
A-WT-7006821-0	*	1	RP15 AWT REVISION STATUS
D-MU-RP15-0-02	K	4	MODULE UTILIZATION
A-PL-RP15-0-02	K	2	MODULE UTILIZATION
D-BS-RP15-0-03		1	MAINTENANCE CONTROL
D-BS-RP15-0-04	C	1	MAINTENANCE CONTROL BUEFER
D-BS-RP15-0-05	C	1	READ/WRITE CONTROL #1
D-BS-RP15-0-06	A	1	READ/WRITE CONTROL #2
D-BS-RP15-0-07	C	1	READ/WRITE CONTROL #3
D-BS-RP15-0-08	C	1	DATA SEPERATOR CONTROL
D-BS-RP15-0-09	U	1	STATUS CONTROL #1
D-BS-RP15-0-10	E	1	STATUS CONTROL #2
D-BS-RP15-0-11		1	STATUS CONTROL #3
D-BS-RP15-0-12		1	API CONTROL
D-BS-RP15-0-13	E	1	BUFFER REGISTER CONTROL
D-BS-RP15-0-14		1	DCH CONTROL
D-BS-RP15-0-15	B	1	SHIFT & LONG. REGISTER CONTROL
D-BS-RP15-0-16	F	1	TAG AND BUS LINE CONTROL
D-BS-RP15-0-17	B	1	WC & CA CONTROL
D-BS-RP15-0-18	A	1	MAJOR STATE CONTROL
D-BS-RP15-0-19		1	MAJOR STATE
D-BS-RP15-0-20		1	IOT SELECTION
D-BS-RP15-0-21		1	FUNCTION REGISTER
D-BS-RP15-0-22	B	1	WRITE FORMAT GENERATOR
D-BS-RP15-0-23		1	SECTOR WORD COUNT
D-BS-RP15-0-24		1	WRITE CHECK COMPARATOR 00-15
D-BS-RP15-0-25		1	WRITE CHECK COMPARATOR 16-31
D-BS-RP15-0-26		1	WRITE CHECK COMPARATOR
D-BS-RP15-0-27	A	1	CYLINDER COMPARATOR
D-BS-RP15-0-28	A	1	CYLINDER ADDRESS REGISTER
D-BS-RP15-0-29		1	HEAD ADDRESS REGISTER

REVISIONS				DRN. P. LEBLANC	DATE 7/17/70	<b>EQUIPMENT CORPORATION</b> <small>MAYNARD, MASSACHUSETTS</small>			
REV.	DATE	CHG. NO.	APP'D.	CHK'D.	DATE				
A	9/70	RP15-5	J.Z.	<i>[Signature]</i>	7-23-70	<b>RP15</b> CONTROL FOR RP02			
B	11/70	RP15-7	J.Z.	<i>[Signature]</i>	1-24-71				
C	2/71	RP15-8	J.Z.	<i>[Signature]</i>	7-24-70				
D	11/71	RP15-10	J.Z.	<i>[Signature]</i>	7-24-70				
E	12/71	RP15-9	J.Z.	<i>[Signature]</i>	7-24-70				
F	2/72	RP15-11	J.Z.	<i>[Signature]</i>	7-24-70				
H	7/72	RP15-12	J.Z.	<i>[Signature]</i>	7-24-70				
J	8/72	RP15-13	J.Z.	<i>[Signature]</i>	7-24-70				
K	9/72	RP15-14	J.Z.	<i>[Signature]</i>	7-24-70				
L	12/72	RP15-15	J.Z.	<i>[Signature]</i>	7-24-70				
M	1/73	RP15-16	J.Z.	<i>[Signature]</i>	7-24-70				
N	6/73	RP15-17	J.Z.	<i>[Signature]</i>	7-24-70				
FIRST USED ON				PDP15					
SCALE				NONE		A	ML	RP15-0	R
SHEET				1 OF 2		DIST.			

# MASTER DRAWING LIST

DWG. NO.	REV. LET.	NO. OF SHEETS	TITLE
D-BS-RP15-0-30	A	1	SECTOR ADDRESS REGISTER
D-BS-RP15-0-31		1	WORD COUNT REGISTER 00-17
D-BS-RP15-0-32		1	CURRENT ADDRESS REGISTER
D-BS-RP15-0-33		1	BUFFER REGISTER 00-05, 18-23
D-BS-RP15-0-34		1	BUFFER REGISTER 06-11, 24-29
D-BS-RP15-0-35		1	BUFFER REGISTER 12-17, 30-35
D-BS-RP15-0-36		1	SHIFT REGISTER 00-11
D-BS-RP15-0-37		1	SHIFT REGISTER 12-23
D-BS-RP15-0-38		1	SHIFT REGISTER 24-35
D-BS-RP15-0-39	A	1	LONG. PARITY REGISTER 00-17
D-BS-RP15-0-40		1	LONG. PARITY REGISTER 18-26
D-BS-RP15-0-41		1	LONG. PARITY REGISTER 27-35
D-BS-RP15-0-42	A	1	BUS MULTIPLEXER 00-05
D-BS-RP15-0-43	C	1	BUS MULTIPLEXER 06-11
D-BS-RP15-0-44	A	1	BUS MULTIPLEXER 12-17
D-BS-RP15-0-45	A	1	MULTIPLEXER TERMINATOR 00-17
D-BS-RP15-0-46		1	UNIT DISK DRIVERS
D-BS-RP15-0-47	B	1	BUS DISK DRIVERS
D-BS-RP15-0-48	B	1	DISK RECEIVERS
D-BS-RP15-0-49	A	1	I/O BUS DRIVERS 00-17
D-BS-RP15-0-50		1	I/O ADDRESS DRIVERS
D-BS-RP15-0-51		1	I/O BUS RECEIVERS
D-IC-RP15-0-52	A	1	I/O BUS INTERFACE
D-IC-RP15-0-53	B	1	DRIVE-CONTROL CABLE INTERFACE
D-IC-RP15-0-54	B	1	INDICATOR INTERFACE
D-BS-RP15-0-55		1	LOCKOUT INTERFACE
D-TD-RP15-0-56	C	5	RP15 TIMING DIAGRAM
D-SP-RP15-0-57	B	1	ADJUSTMENT & MAINTENANCE
K-WL-RP15-0-58	R		WIRE LIST
A-SP-RP15-0-59	A	81	RP15 SPECIFICATION
A-SP-RP15-0-60	-	3	RP15 CUSTOMER ACCEPTANCE PROCEDURE

REVISIONS				DRN. P. LEBLANC	DATE 7/17/70	<b>EQUIPMENT CORPORATION</b> <small>MAYNARD, MASSACHUSETTS</small>							
REV.	DATE	CHG. NO.	APP'D.	CHK'D.	DATE								
P	8-74	RP15-00018	<i>[Signature]</i>	<i>[Signature]</i>	7-23-70	<b>RP15</b>							
R	10-74	RP15-00019	<i>[Signature]</i>	<i>[Signature]</i>	7-24-70								
FIRST USED ON				PDP15						SIZE	CODE	NUMBER	REV.
SCALE				NONE						A	ML	RP15-0	R
SHEET				2 OF 2						DIST.			

This drawing and specifications, herein, are the property of Digital Equipment Corporation and shall not be reproduced or copied or used in whole or in part as the basis for the manufacture or sale of items without written permission.

USAGE	1		2		3		4		5		6		7		8		9		10		11		12		13		14		15		16		17		18		19		20		21		22	
	CABLE		CABLE		CABLE		CABLE																																					
BR 00 (1)		DEB (1)	FR 00 (1)	FR 01 (1)	READ (1)	FMT GEN	SR 00 (1)	LPR 00 (1)	WC OVFL0	CRY A	CLR WC	WCC 24 → 31	WCC 24 → 31	WCC 24 → 31	WCC 16 → 23	WCC 16 → 23	WCC 08 → 07	WCC 08 → 07	WCC 08 → 07	WCC 08 → 07	WCC 08 → 07	WCC 08 → 07	WCC 08 → 07	WCC 08 → 07	WCC 08 → 07	WCC 08 → 07	WCC 08 → 07	WCC 08 → 07	WCC 08 → 07	WCC 08 → 07	WCC 08 → 07	WCC 08 → 07	WCC 08 → 07	WCC 08 → 07	WCC 08 → 07	WCC 08 → 07	WCC 08 → 07	WCC 08 → 07	WCC 08 → 07	WCC 08 → 07	WCC 08 → 07	WCC 08 → 07	WCC 08 → 07	WCC 08 → 07
THRU		AD (1)	FR 02 (1)	THRU	WRITE (1)	GEN (1)	SR 01 (1)	LPR 01 (1)	OVFL0	CRY B	CLR CA																																	
BR 17 (1)		DISK	FR 03 (1)	FR 04 (1)	CLP	GEN (1)	SR 02 (1)	LPR 02 (1)	CRY A	TAG EN	INIT RQ	MAINT DATA																																
THRU		ERR FLAG	FR 05 (1)	FR 06 (1)	CLP	GEN (1)	SR 03 (1)	LPR 03 (1)	CRY B	TAG EN	INIT RQ	MAINT DATA																																
BR 35 (1)		ERR FLAG	FR 07 (1)	FR 08 (1)	CLP	GEN (1)	SR 04 (1)	LPR 04 (1)	CRY B	TAG EN	INIT RQ	MAINT DATA																																
THRU		ERR FLAG	FR 09 (1)	FR 10 (1)	CLP	GEN (1)	SR 05 (1)	LPR 05 (1)	CRY B	TAG EN	INIT RQ	MAINT DATA																																

USAGE	23		24		25		26		27		28		29		30		31		32		33		34		35		36		37		38		39		40		41		42		43		44	
UR EQ LO		SULO	UP EQ LO	ERR FLAG	ERR FLAG	ERR FLAG	ERR FLAG	ERR FLAG	ERR FLAG	ERR FLAG	ERR FLAG	ERR FLAG	ERR FLAG	ERR FLAG	ERR FLAG	ERR FLAG	ERR FLAG	ERR FLAG	ERR FLAG	ERR FLAG	ERR FLAG	ERR FLAG	ERR FLAG	ERR FLAG	ERR FLAG	ERR FLAG	ERR FLAG	ERR FLAG	ERR FLAG	ERR FLAG	ERR FLAG	ERR FLAG	ERR FLAG	ERR FLAG	ERR FLAG	ERR FLAG	ERR FLAG	ERR FLAG	ERR FLAG	ERR FLAG	ERR FLAG	ERR FLAG	ERR FLAG	ERR FLAG
SUSU			UP EQ LO	ERR FLAG	ERR FLAG	ERR FLAG	ERR FLAG	ERR FLAG	ERR FLAG	ERR FLAG	ERR FLAG	ERR FLAG	ERR FLAG	ERR FLAG	ERR FLAG	ERR FLAG	ERR FLAG	ERR FLAG	ERR FLAG	ERR FLAG	ERR FLAG	ERR FLAG	ERR FLAG	ERR FLAG	ERR FLAG	ERR FLAG	ERR FLAG	ERR FLAG	ERR FLAG	ERR FLAG	ERR FLAG	ERR FLAG	ERR FLAG	ERR FLAG	ERR FLAG	ERR FLAG	ERR FLAG	ERR FLAG	ERR FLAG	ERR FLAG	ERR FLAG	ERR FLAG	ERR FLAG	ERR FLAG
DISK FLAG			UP EQ LO	ERR FLAG	ERR FLAG	ERR FLAG	ERR FLAG	ERR FLAG	ERR FLAG	ERR FLAG	ERR FLAG	ERR FLAG	ERR FLAG	ERR FLAG	ERR FLAG	ERR FLAG	ERR FLAG	ERR FLAG	ERR FLAG	ERR FLAG	ERR FLAG	ERR FLAG	ERR FLAG	ERR FLAG	ERR FLAG	ERR FLAG	ERR FLAG	ERR FLAG	ERR FLAG	ERR FLAG	ERR FLAG	ERR FLAG	ERR FLAG	ERR FLAG	ERR FLAG	ERR FLAG	ERR FLAG	ERR FLAG	ERR FLAG	ERR FLAG	ERR FLAG	ERR FLAG	ERR FLAG	ERR FLAG
WPEE			UP EQ LO	ERR FLAG	ERR FLAG	ERR FLAG	ERR FLAG	ERR FLAG	ERR FLAG	ERR FLAG	ERR FLAG	ERR FLAG	ERR FLAG	ERR FLAG	ERR FLAG	ERR FLAG	ERR FLAG	ERR FLAG	ERR FLAG	ERR FLAG	ERR FLAG	ERR FLAG	ERR FLAG	ERR FLAG	ERR FLAG	ERR FLAG	ERR FLAG	ERR FLAG	ERR FLAG	ERR FLAG	ERR FLAG	ERR FLAG	ERR FLAG	ERR FLAG	ERR FLAG	ERR FLAG	ERR FLAG	ERR FLAG	ERR FLAG	ERR FLAG	ERR FLAG	ERR FLAG	ERR FLAG	
FR EQ WRITE			UP EQ LO	ERR FLAG	ERR FLAG	ERR FLAG	ERR FLAG	ERR FLAG	ERR FLAG	ERR FLAG	ERR FLAG	ERR FLAG	ERR FLAG	ERR FLAG	ERR FLAG	ERR FLAG	ERR FLAG	ERR FLAG	ERR FLAG	ERR FLAG	ERR FLAG	ERR FLAG	ERR FLAG	ERR FLAG	ERR FLAG	ERR FLAG	ERR FLAG	ERR FLAG	ERR FLAG	ERR FLAG	ERR FLAG	ERR FLAG	ERR FLAG	ERR FLAG	ERR FLAG	ERR FLAG	ERR FLAG	ERR FLAG	ERR FLAG	ERR FLAG	ERR FLAG	ERR FLAG	ERR FLAG	

REVISIONS	REV.	CHG. NO.	DESCRIPTION	DATE
1	A	000001	REVISED TO INCLUDE PDP-15	7-22-70
2	B	000002	REVISED TO INCLUDE PDP-15	7-22-70
3	C	000003	REVISED TO INCLUDE PDP-15	7-22-70
4	D	000004	REVISED TO INCLUDE PDP-15	7-22-70
5	E	000005	REVISED TO INCLUDE PDP-15	7-22-70
6	F	000006	REVISED TO INCLUDE PDP-15	7-22-70
7	G	000007	REVISED TO INCLUDE PDP-15	7-22-70
8	H	000008	REVISED TO INCLUDE PDP-15	7-22-70
9	I	000009	REVISED TO INCLUDE PDP-15	7-22-70
10	J	000010	REVISED TO INCLUDE PDP-15	7-22-70
11	K	000011	REVISED TO INCLUDE PDP-15	7-22-70
12	L	000012	REVISED TO INCLUDE PDP-15	7-22-70

FIRST USED ON OPTION/MODEL  
PDP-15

DO NOT SCALE DRAWING

UNLESS OTHERWISE SPECIFIED

TOLERANCES IN INCHES

DECIMALS FRACTIONS ANGLES

± .005 ± 1/64 ± 0°30'

FINAL SURFACE QUALITY

REMOVE BURRS AND BREAK SHARP CORNERS

MATERIAL: + - -

FINISH: + - -

DRN: A. Ramouel

CHK'D: DATE: 7-22-70

ENGR: DATE: 7-22-70

PROJ. ENG: DATE: 7-22-70

PROD: DATE: 7-22-70

NEXT HIGHER ASSY: A-ML-RP15-0

SCALE: 1" = 1" DIST: 1

SHEET 1 OF 1

digital EQUIPMENT CORPORATION  
MAYNARD, MASSACHUSETTS

MODULE UTILIZATION  
(RP15)

SIZE CODE: DMU NUMBER: RP15-0-02 REV. K

This drawing and specifications, herein, are the property of Digital Equipment Corporation and shall not be reproduced or copied or used in whole or in part as the basis for the manufacture or sale of items without written permission.

SIZE CODE NUMBER  
DIMU RPI5-0-02

	1	2	3	4	5	6	7	8	9	10	11	12	13	14	15	16	17	18	19	20	21	22
USAGE	M216	M113	M216	M113	M216	M401	M002	M113	M115	M117	M113	M119	M119	M606	M312	M602	M627	M216	M216	M602	M216	M113
D	CA 00	CA 02	CA 00	CA 02	CA 06	CA 08	CA 10	CA 12	CA 14	CA 16	CA 18	CA 20	CA 22	CA 24	CA 26	CA 28	CA 30	CA 32	CA 34	CA 36	CA 38	CA 40
C	CA 01	CA 03	CA 05	CA 07	CA 09	CA 11	CA 13	CA 15	CA 17	CA 19	CA 21	CA 23	CA 25	CA 27	CA 29	CA 31	CA 33	CA 35	CA 37	CA 39	CA 41	CA 43
	CA 04	CA 06	CA 08	CA 10	CA 12	CA 14	CA 16	CA 18	CA 20	CA 22	CA 24	CA 26	CA 28	CA 30	CA 32	CA 34	CA 36	CA 38	CA 40	CA 42	CA 44	CA 46

	23	24	25	26	27	28	29	30	31	32	33	34	35	36	37	38	39	40	41	42	43	44
USAGE	M606	M302	M302	M216	M117	M204	M204	M212	M212	M212												
C	HDP DLYD	GO (1)	SECTOR DLYD	SECTOR END	CLP SWC	INC SWC																
B	+3V																					

	1	2	3	4	5	6	7	8	9	10	11	12	13	14	15	16	17	18	19	20	21	22
USAGE	M113	M113	M115	M216	M606																	
D	FIRST DATA BIT	SECTOR END	HEADER	FMT GEN 04	DATA FIELD	FMT GEN 02	SWC 06	SWC 0V FLO														
C	FIRST DATA BIT	DATA FIELD EN	CLR SWC	FMT GEN 04	HEADER	FMT GEN 02	SWC 06	SWC 0V FLO														
B	VFO ENABLE	EXECUTE	INIT- IATE	TRANS FUNC	DATA FIELD																	

REV. CHANGE NO.	REV.		FIRST USED ON OPTION / MODEL PDP15	DO NOT SCALE DRAWING UNLESS OTHERWISE SPECIFIED DIMENSION IN INCHES TOLERANCES DECIMALS FRACTIONS ANGLES ± .005 ± 1/64 ± 0°30' FINAL SURFACE QUALITY REMOVE BURRS AND BREAK SHARP CORNERS	DRN	A. R. MODDI	DATE	7-22-70	digital EQUIPMENT CORPORATION MAYNARD, MASSACHUSETTS
	CHK				CHK'D		DATE	7-23-70	
					ENG		DATE	7-24-70	
					PROJ. ENG.		DATE	7-24-70	
								TITLE	MODULE UTILIZATION (RPI5)
								NEXT HIGHER ASSY	A-ML-RPI5-0
								SCALE	1/4" = 1"
								SHEET	2 OF 4
								SIZE CODE	DIMU RPI5-0-02
								NUMBER	
								DIST.	

SIZE CODE NUMBER  
DIMU RPI5-0-02  
REV. K



This drawing and specifications, herein, are the property of Digital Equipment Corporation and shall not be reproduced or copied or used in whole or in part as the basis for the manufacture or sale of items without written permission.

	1	2	3	4	5	6	7	8	9	10	11	12	13	14	15	16	17	18	19	20	21	22	
	M149	M149	M149	M149	M087	M115	M113	M117	M117	M111	M420	M512	M627	M216	M216	M682	M119						
D	BUS 00	BUS 02	BUS 02	BUS 02	BUS 02	BUS 02	BUS 02	BUS 02															
	BUS 01	BUS 01	BUS 01	BUS 01	BUS 01	BUS 01	BUS 01	BUS 01															
	BUS 03	BUS 04	BUS 03	BUS 04	BUS 03	BUS 04	BUS 03	BUS 04															
	BUS 05	BUS 06	BUS 05	BUS 06	BUS 05	BUS 06	BUS 05	BUS 06															
	BUS 07	BUS 07	BUS 07	BUS 07	BUS 07	BUS 07	BUS 07	BUS 07															
	BUS 08	BUS 08	BUS 08	BUS 08	BUS 08	BUS 08	BUS 08	BUS 08															

	23	24	25	26	27	28	29	30	31	32	33	34	35	36	37	38	39	40	41	42	43	44
	M510	M911	M911	M121	M212	M212	M212	M212	M212	M212	M212											
E			LPR 18	LPR 21	LPR 24	LPR 27	LPR 00	LPR 01	LPR 06	LPR 07	LPR 12	LPR 13	LPR 18	LPR 19	LPR 24	LPR 25	LPR 30	LPR 31				
			LPR 19	LPR 25	LPR 28	LPR 02	LPR 05	LPR 08	LPR 11	LPR 14	LPR 17	LPR 20	LPR 23	LPR 26	LPR 29	LPR 32	LPR 35					
			LPR 20	LPR 26	LPR 29	LPR 04	LPR 04	LPR 09	LPR 10	LPR 15	LPR 16	LPR 21	LPR 22	LPR 27	LPR 28	LPR 33	LPR 34					
B																						

	23	24	25	26	27	28	29	30	31	32	33	34	35	36	37	38	39	40	41	42	43	44
	M510	M911	M911	M121	M212	M212	M212	M212	M212	M212	M212											
F	SUCAR 256	SU CAP 07	ATT 01	SU INDEX	RD DATA	LPR 30	LPR 33	SR 00	SR 02	SR 06	SP 08	SR 12	SR 14	SR 18	SR 20	SR 24	SR 26	SR 30	SR 32			
	SU RP03	SU UNSAFE	SU SEEM INC	SU END OF CYL	THRU	LPR 31	LPR 34	SP 01	SR 03	SR 07	SP 09	SR 13	SP 15	SR 19	SR 21	SR 25	SR 27	SR 31	SR 33			
		THRU	THRU	SU SECTOR	RD DATA	LPR 32	LPR 35	SP 01	SR 03	SR 07	SP 09	SR 13	SP 15	SR 19	SR 21	SR 25	SR 27	SR 31	SR 33			
				MAINT (B)	RD DATA	LPR 33	LPR 36	SP 05	SR 04	SR 11	SR 10	SR 17	SR 16	SR 23	SP 22	SR 29	SR 28	SR 35	SR 34			
				SU CAP 00	SU READY	LPR 34	LPR 37	SR 05	SR 04	SR 11	SR 10	SR 17	SR 16	SR 23	SP 22	SR 29	SR 28	SR 35	SR 34			
				ATT 07	SU ON	LPR 35	LPR 38	SR 05	SR 04	SR 11	SR 10	SR 17	SR 16	SR 23	SP 22	SR 29	SR 28	SR 35	SR 34			
				RD DATA	RD DATA	LPR 36	LPR 39	SR 05	SR 04	SR 11	SR 10	SR 17	SR 16	SR 23	SP 22	SR 29	SR 28	SR 35	SR 34			
				RD DATA	RD DATA	LPR 37	LPR 40	SR 05	SR 04	SR 11	SR 10	SR 17	SR 16	SR 23	SP 22	SR 29	SR 28	SR 35	SR 34			

REV.																						
CHANGE NO.																						
CHK.																						

FIRST USED ON OPTION / MODEL

DO NOT SCALE DRAWING UNLESS OTHERWISE SPECIFIED DIMENSION IN INCHES

TOLERANCES: DECIMALS ±.005, FRACTIONS ±1/64, ANGLES ±0°30'

REMOVE BURRS AND BREAK SHARP CORNERS

DRN: R. Ramirez, DATE: 7-22-70, CHK'D: K. Reed, DATE: 7-28-70, ENG: R. Reed, DATE: 7-27-70, PROJ. ENG: R. Reed, DATE: 7-16-70, PROP: R. Reed, DATE: 7-16-70

NEXT HIGHER ASSY: \_\_\_\_\_

SCALE: \_\_\_\_\_ SHEET: \_\_\_\_\_ OF 4

**DIGITAL EQUIPMENT CORPORATION**  
MAINEARD, MASSACHUSETTS

**MODULE UTILIZATION (RP15)**

SIZE CODE: DMU NUMBER: RP15-0-02 REV. K

This drawing and specifications, herein, are the property of Digital Equipment Corporation and shall not be reproduced or copied or used in whole or in part as the basis for the manufacture or sale of items without written permission.

REV. 15-0-02 DMU RP15-0-02

	1		2		3		4		5		6		7		8		9		10		11		12		13		14		15		16		17		18		19		20		21		22					
USAGE	M912 CABLE		M912 CABLE		M912 CABLE		M912 CABLE		M510		M510		M510		M510		M510		M134		M134				M622		M622		M622		M622		M510		M228		M228		M228		M228							
D	1/0 BUS 08	1/0 BUS 09	1/0 SYNC IOP 1,2,4	DS 05 THRU	1/0 BUS 08	1/0 BUS 09	1/0 SYNC IOP 1,2,4	DS 05 THRU	1/0 BUS 08	1/0 BUS 09	1/0 SYNC IOP 1,2,4	DS 05 THRU	1/0 BUS 08	1/0 BUS 09	1/0 SYNC IOP 1,2,4	DS 05 THRU	1/0 BUS 08	1/0 BUS 09	1/0 SYNC IOP 1,2,4	DS 05 THRU	1/0 BUS 08	1/0 BUS 09	1/0 SYNC IOP 1,2,4	DS 05 THRU	1/0 BUS 08	1/0 BUS 09	1/0 SYNC IOP 1,2,4	DS 05 THRU	1/0 BUS 08	1/0 BUS 09	1/0 SYNC IOP 1,2,4	DS 05 THRU	1/0 BUS 08	1/0 BUS 09	1/0 SYNC IOP 1,2,4	DS 05 THRU	1/0 BUS 08	1/0 BUS 09	1/0 SYNC IOP 1,2,4	DS 05 THRU	1/0 BUS 08	1/0 BUS 09	1/0 SYNC IOP 1,2,4	DS 05 THRU				
H	THRU	THRU	PROG INT PD RD PD	DS 05 THRU	THRU	THRU	PROG INT PD RD PD	DS 05 THRU	THRU	THRU	PROG INT PD RD PD	DS 05 THRU	THRU	THRU	PROG INT PD RD PD	DS 05 THRU	THRU	THRU	PROG INT PD RD PD	DS 05 THRU	THRU	THRU	PROG INT PD RD PD	DS 05 THRU	THRU	THRU	PROG INT PD RD PD	DS 05 THRU	THRU	THRU	PROG INT PD RD PD	DS 05 THRU	THRU	THRU	PROG INT PD RD PD	DS 05 THRU	THRU	THRU	PROG INT PD RD PD	DS 05 THRU	THRU	THRU	PROG INT PD RD PD	DS 05 THRU	THRU	THRU		
	1/0 BUS 08	1/0 BUS 17	1/0 STATUS P/P P/P	SING CY RD SD 01	1/0 BUS 08	1/0 BUS 17	1/0 STATUS P/P P/P	SING CY RD SD 01	1/0 BUS 08	1/0 BUS 17	1/0 STATUS P/P P/P	SING CY RD SD 01	1/0 BUS 08	1/0 BUS 17	1/0 STATUS P/P P/P	SING CY RD SD 01	1/0 BUS 08	1/0 BUS 17	1/0 STATUS P/P P/P	SING CY RD SD 01	1/0 BUS 08	1/0 BUS 17	1/0 STATUS P/P P/P	SING CY RD SD 01	1/0 BUS 08	1/0 BUS 17	1/0 STATUS P/P P/P	SING CY RD SD 01	1/0 BUS 08	1/0 BUS 17	1/0 STATUS P/P P/P	SING CY RD SD 01	1/0 BUS 08	1/0 BUS 17	1/0 STATUS P/P P/P	SING CY RD SD 01	1/0 BUS 08	1/0 BUS 17	1/0 STATUS P/P P/P	SING CY RD SD 01	1/0 BUS 08	1/0 BUS 17	1/0 STATUS P/P P/P	SING CY RD SD 01	1/0 BUS 08	1/0 BUS 17	1/0 STATUS P/P P/P	SING CY RD SD 01

	23		24		25		26		27		28		29		30		31		32		33		34		35		36		37		38		39		40		41		42		43		44		
USAGE	M850 CABLE		M850 CABLE		2		2		2		2		2		2		2		2		2		2		2		2		2		2		2		2		2		2		2				
C	1/0 RUN DATA OVFL0	1/0 ADDR 09	1/0 RUN DATA OVFL0	1/0 ADDR 09	1/0 RUN DATA OVFL0	1/0 ADDR 09	1/0 RUN DATA OVFL0	1/0 ADDR 09	1/0 RUN DATA OVFL0	1/0 ADDR 09	1/0 RUN DATA OVFL0	1/0 ADDR 09	1/0 RUN DATA OVFL0	1/0 ADDR 09	1/0 RUN DATA OVFL0	1/0 ADDR 09	1/0 RUN DATA OVFL0	1/0 ADDR 09	1/0 RUN DATA OVFL0	1/0 ADDR 09	1/0 RUN DATA OVFL0	1/0 ADDR 09	1/0 RUN DATA OVFL0	1/0 ADDR 09	1/0 RUN DATA OVFL0	1/0 ADDR 09	1/0 RUN DATA OVFL0	1/0 ADDR 09	1/0 RUN DATA OVFL0	1/0 ADDR 09	1/0 RUN DATA OVFL0	1/0 ADDR 09	1/0 RUN DATA OVFL0	1/0 ADDR 09	1/0 RUN DATA OVFL0	1/0 ADDR 09	1/0 RUN DATA OVFL0	1/0 ADDR 09	1/0 RUN DATA OVFL0	1/0 ADDR 09	1/0 RUN DATA OVFL0	1/0 ADDR 09	1/0 RUN DATA OVFL0	1/0 ADDR 09	
J	THRU	THRU	THRU	THRU	THRU	THRU	THRU	THRU	THRU	THRU	THRU	THRU	THRU	THRU	THRU	THRU	THRU	THRU	THRU	THRU	THRU	THRU	THRU	THRU	THRU	THRU	THRU	THRU	THRU	THRU	THRU	THRU	THRU	THRU	THRU	THRU	THRU	THRU	THRU	THRU	THRU	THRU	THRU	THRU	THRU
	1/0 ADDR 08	1/0 ADDR 17	1/0 ADDR 08	1/0 ADDR 17	1/0 ADDR 08	1/0 ADDR 17	1/0 ADDR 08	1/0 ADDR 17	1/0 ADDR 08	1/0 ADDR 17	1/0 ADDR 08	1/0 ADDR 17	1/0 ADDR 08	1/0 ADDR 17	1/0 ADDR 08	1/0 ADDR 17	1/0 ADDR 08	1/0 ADDR 17	1/0 ADDR 08	1/0 ADDR 17	1/0 ADDR 08	1/0 ADDR 17	1/0 ADDR 08	1/0 ADDR 17	1/0 ADDR 08	1/0 ADDR 17	1/0 ADDR 08	1/0 ADDR 17	1/0 ADDR 08	1/0 ADDR 17	1/0 ADDR 08	1/0 ADDR 17	1/0 ADDR 08	1/0 ADDR 17	1/0 ADDR 08	1/0 ADDR 17	1/0 ADDR 08	1/0 ADDR 17	1/0 ADDR 08	1/0 ADDR 17	1/0 ADDR 08	1/0 ADDR 17	1/0 ADDR 08	1/0 ADDR 17	

REVISIONS CHANGE NO. CHK	REV.		* NOTE: WHILE IN MAINTENANCE MODE SLOT J23, J24, AND H17 ARE OCCUPIED BY M622 MODULES.	FIRST USED ON OPTION/ MODEL ---	DO NOT SCALE DRAWING UNLESS OTHERWISE SPECIFIED DIMENSION IN INCHES TOLERANCES DECIMALS FRACTIONS ANGLES ±.005 ± 1/64 ± 0°30' FINAL SURFACE QUALITY REMOVE BURRS AND BREAK SHARP CORNERS	DRN: A. KAMONDI CHK'D: A. J. 2/24/70 ENG: J. J. 2/24/70 PROJ. ENG: J. J. 2/24/70 PROB: J. J. 2/24/70 NEXT HIGHER ASSY: ---	DATE: 7-22-70 DATE: 7-24-70 DATE: 7-24-70 DATE: 7-24-70	digital EQUIPMENT CORPORATION MAYNARD, MASSACHUSETTS	TITLE MODULE UTILIZATION (RP15)	SIZE CODE: DMU NUMBER: RP15-0-02 REV: K
	SCALE: ---	SHEET: 4 OF 4								

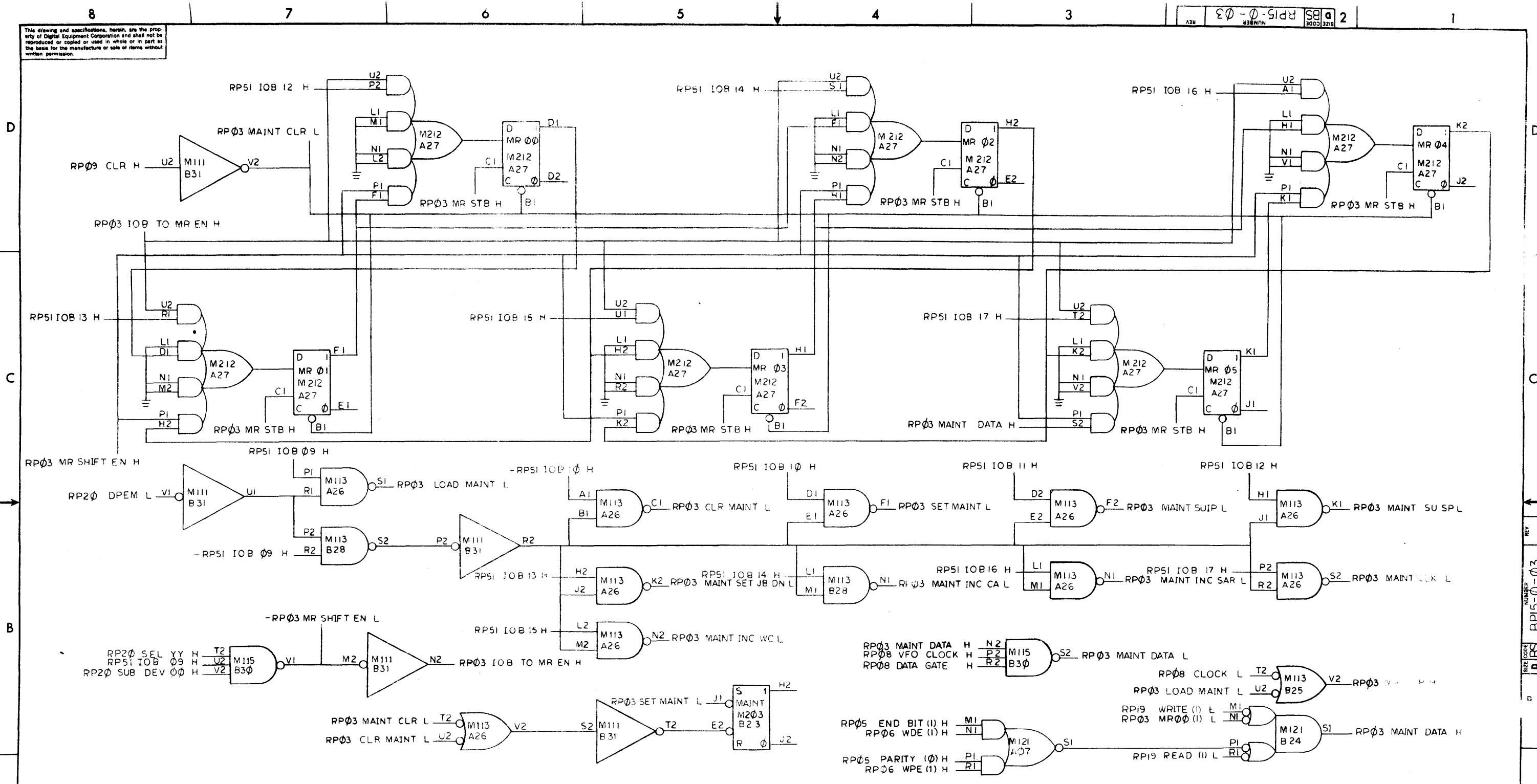
REV. 15-0-02 DMU RP15-0-02

DIGITAL EQUIPMENT CORPORATION MAYNARD, MASSACHUSETTS <b>PARTS LIST</b>				QUANTITY / VARIATION																	
MADE BY K. RUSS		CHECKED K. RUSS		SECTION																	
DATE 7-22-70		DATE 7-22-70		1																	
ENG <i>J. Zel</i>		PROD <i>J. Bundy</i>		ISSUED SECT.																	
DATE 7-24-70		DATE 7-24-70		1																	
ITEM NO.	DWG NO. / PART NO.	DESCRIPTION																			
	M002	LOGIC 1 SOURCE				3															
	M104	I/O BUS MULTIPLEXER				2															
	M111	INVERTER				7															
	M112	NOR GATE				5															
	M113	TEN 2-INPUT NAND GATES				17															
	M115	EIGHT 3-INPUT NAND GATES				8															
	M117	SIX 4-INPUT NAND GATES				8															
	M119	THREE 8-INPUT NAND GATES				17															
	M121	AND/NOR GATE				14															
	M149	9 X 2 NAND WIRED OR MATRIX				8															
	M160	AND/NOR GATE				1															
	M161	BINARY TO OCTAL/DECIMAL DECODER				1															
	M203	8 R/S FLIP FLOP				2															
	M204	GENERAL PURPOSE BUFFER AND COUNTER				2															
	M207	GENERAL PURPOSE FLIP FLOP				8															
	M212	SIX BIT L-R SHIFT REGISTER				13															
	M216	SIX FLIP FLOPS				24															
	M302	ONE SHOT DELAY				3															
	M311	TAP DELAY				1															
	M312	DELAY MODULE				2															
	M401	VARIABLE CLOCK				1															
	M405	CRYSTAL CLOCK MODIFIED TO 5 MC				1															
TITLE MODULE UTILIZATION (COUNT)				ASSY NO. D-MU-RP15-0-02		SIZE CODE <b>A PL</b>		NUMBER RP15-0-02				REV. K		ECO NO. RP15-00019							
				SHEET 1 OF 2		DIST.															

DIGITAL EQUIPMENT CORPORATION MAYNARD, MASSACHUSETTS <b>PARTS LIST</b>				QUANTITY / VARIATION																	
MADE BY K. RUSS		CHECKED K. RUSS		SECTION																	
DATE 7-22-70		DATE 7-22-70		1																	
ENG <i>J. Zel</i>		PROD <i>J. Bundy</i>		ISSUED SECT.																	
DATE 7-24-70		DATE 7-24-70		1																	
ITEM NO.	DWG NO. / PART NO.	DESCRIPTION																			
	M420	CLOCK				1															
	M510	I/O BUS RECEIVER				9															
	M602	PULSE AMPLIFIER				4															
	M606	PULSE GENERATOR				6															
	M611	HIGH SPEED POWER INVERTER				2															
	M622	8 BIT POS. INPUT/OUTPUT BUS DRIVER				13															
	M627	NAND POWER AMPLIFIER				3															
	M911	MEMORY BUS CP TERMINATOR				2															
	M133	TEN 2-INPUT NAND GATES				1															
	M135	EIGHT 3-INPUT NAND GATES				1															
TITLE MODULE UTILIZATION (COUNT)				ASSY NO. D-MU-RP15-0-02		SIZE CODE <b>A PL</b>		NUMBER RP15-0-02				REV. K		ECO NO.							
				SHEET 2 OF 2		DIST.															

This drawing and specifications, herein, are the property of Digital Equipment Corporation and shall not be reproduced or copied or used in whole or in part as the basis for the manufacture or sale of items without written permission.

REV 2  
 NUMBER DBS  
 CODE RP15-0-03  
 3203 3216

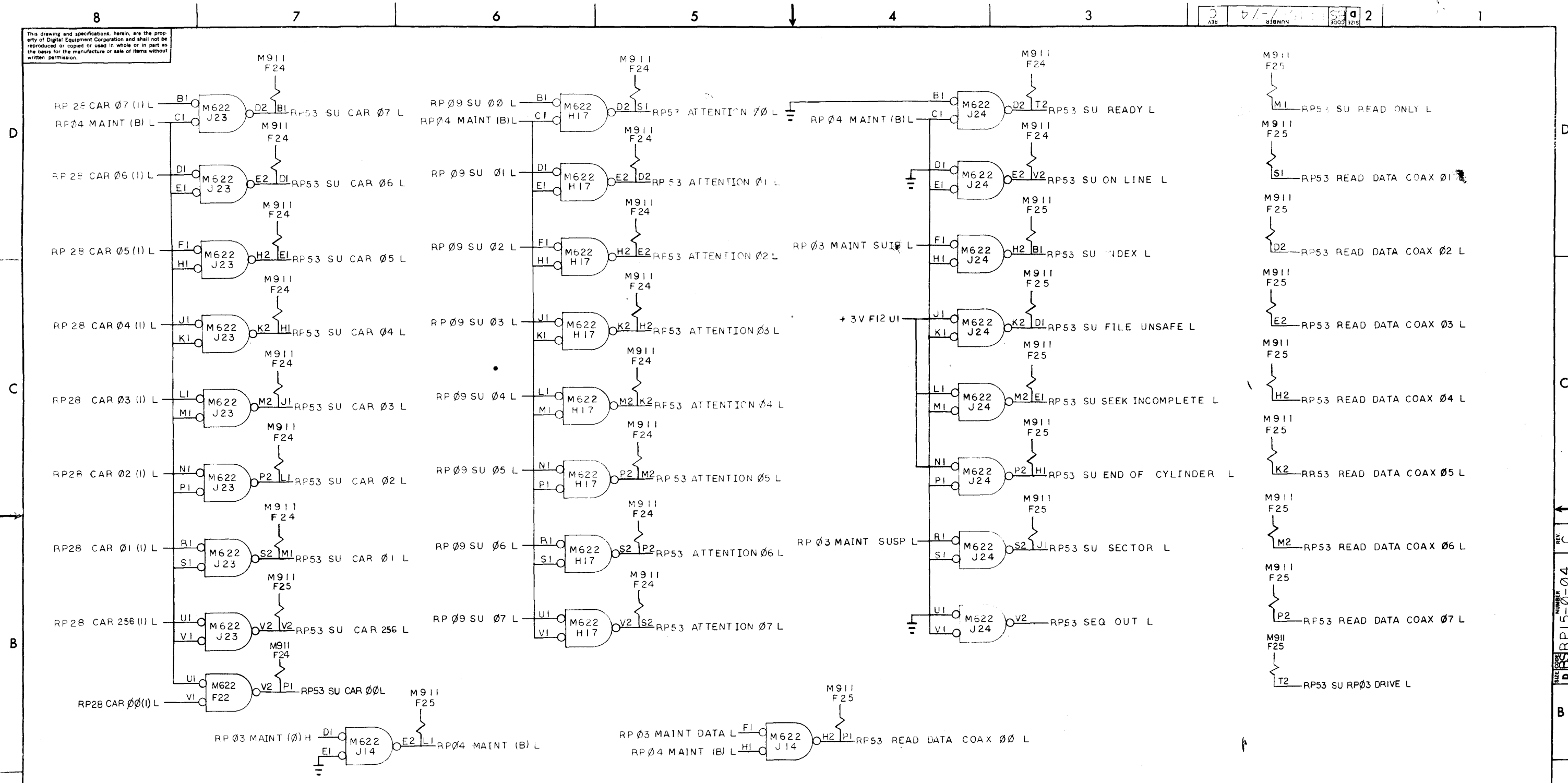


REV.	CHANGE NO.	REVISIONS

REV  
 NUMBER  
 DBS  
 CODE RP15-0-03

FIRST USED ON OPTION/MODEL PDP15	QTY.	DESCRIPTION	PART NO.	ITEM NO.
PARTS LIST				
UNLESS OTHERWISE SPECIFIED DRC	DATE	digital EQUIPMENT CORPORATION MAYNARD, MASSACHUSETTS		
UNLESS OTHERWISE SPECIFIED DIMENSION IN INCHES	DATE	TITLE MAINTENANCE CONTROL		
TOLERANCES DECIMALS FRACTIONS ANGLES ± .005 ± 1/64 ± 0°30'	DATE	SIZE/CODE NUMBER REV. D BS RP15-0-03		
FINAL SURFACE QUALITY REMOVE BURRS AND BREAK SHARP CORNERS	DATE	SCALE OF 1		
MATERIAL NEXT HIGHER ASSY	DATE	SHEET 1 OF 1		
FINISH	DATE	DIST.		

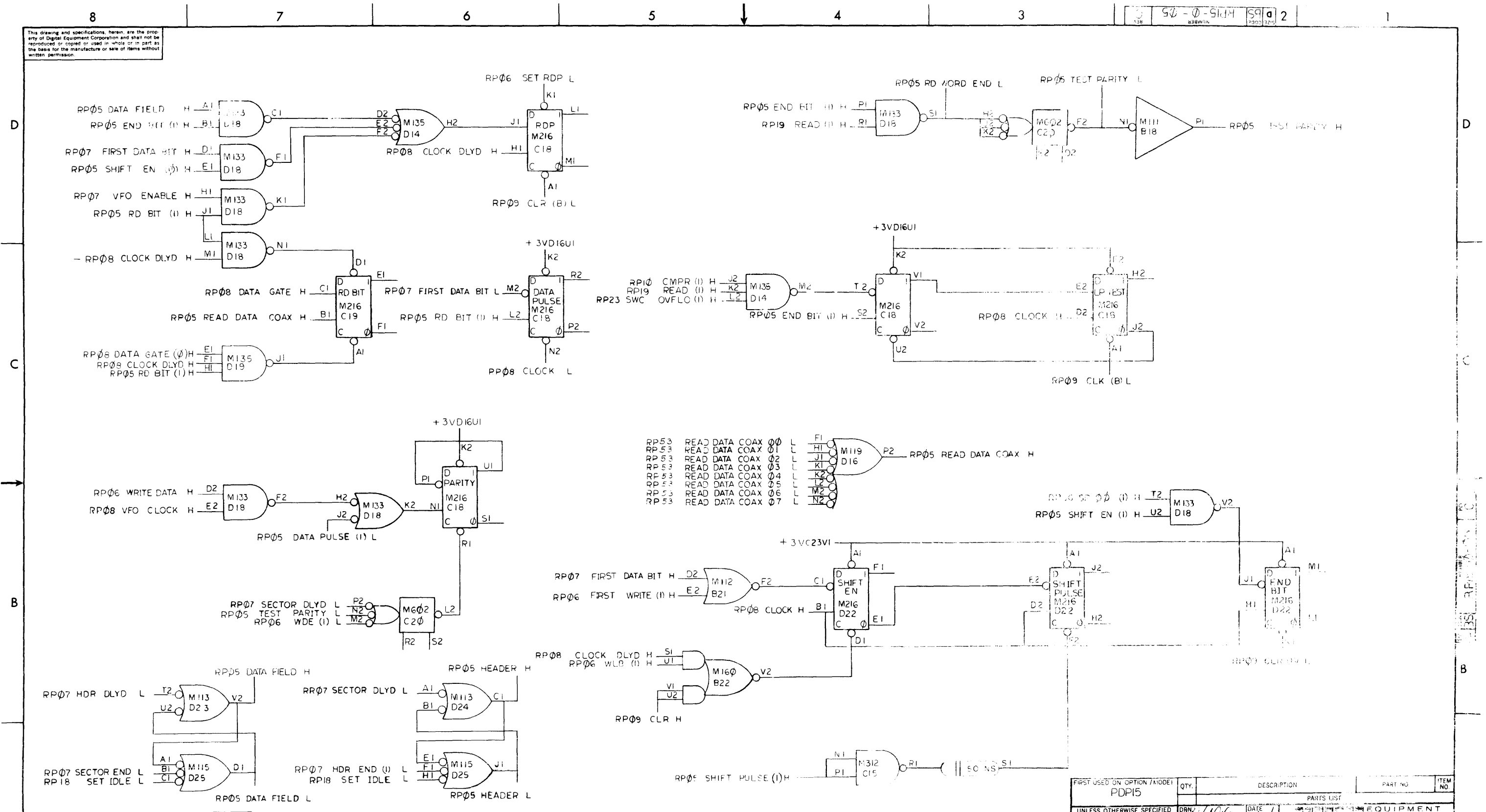
This drawing and specifications, herein, are the property of Digital Equipment Corporation and shall not be reproduced or copied in whole or in part as the basis for the manufacture or sale of items without written permission.



REV.	DATE	BY	CHK	DESCRIPTION
1	8-13-74	F. DOLL		ISSUED
2	8-16-74	J. ZEH		REVISED
3	8-27-74	J. ZEH		REVISED
4	8-27-74	J. ZEH		REVISED
5	8-27-74	J. ZEH		REVISED
6	8-27-74	J. ZEH		REVISED
7	8-27-74	J. ZEH		REVISED
8	8-27-74	J. ZEH		REVISED

FIRST USED ON OPTION/MODEL	QTY.	DESCRIPTION	PART NO.	ITEM NO.
PDP 15				
PARTS LIST				
UNLESS OTHERWISE SPECIFIED	DRN	DATE		
UNLESS OTHERWISE SPECIFIED	CHK'D	DATE		
DIMENSION IN INCHES	ENG.	DATE	<b>MAINTENANCE CONTROL BUFFERS</b>	
TOLERANCES	PRD. ENG.	DATE		
DECIMALS FRACTIONS ANGLES	PRD. ENG.	DATE		
± .005 ± 1/64 ± 0°30'	PROJ. ENG.	DATE	TITLE <b>MAINTENANCE CONTROL BUFFERS</b>	
FINAL SURFACE QUALITY REMOVE BURRS AND BREAK SHARP CORNERS	PROJ. ENG.	DATE	SIZE/CODE <b>D BSRP15-0-04</b>	
MATERIAL	NEXT AVAILABLE ASSY		NUMBER	
FINISH	SCALE		DIST.	
	SHEET / OF /			

This drawing and specifications, herein, are the property of Digital Equipment Corporation and shall not be reproduced or copied or used in whole or in part as the basis for the manufacture or sale of items without written permission.

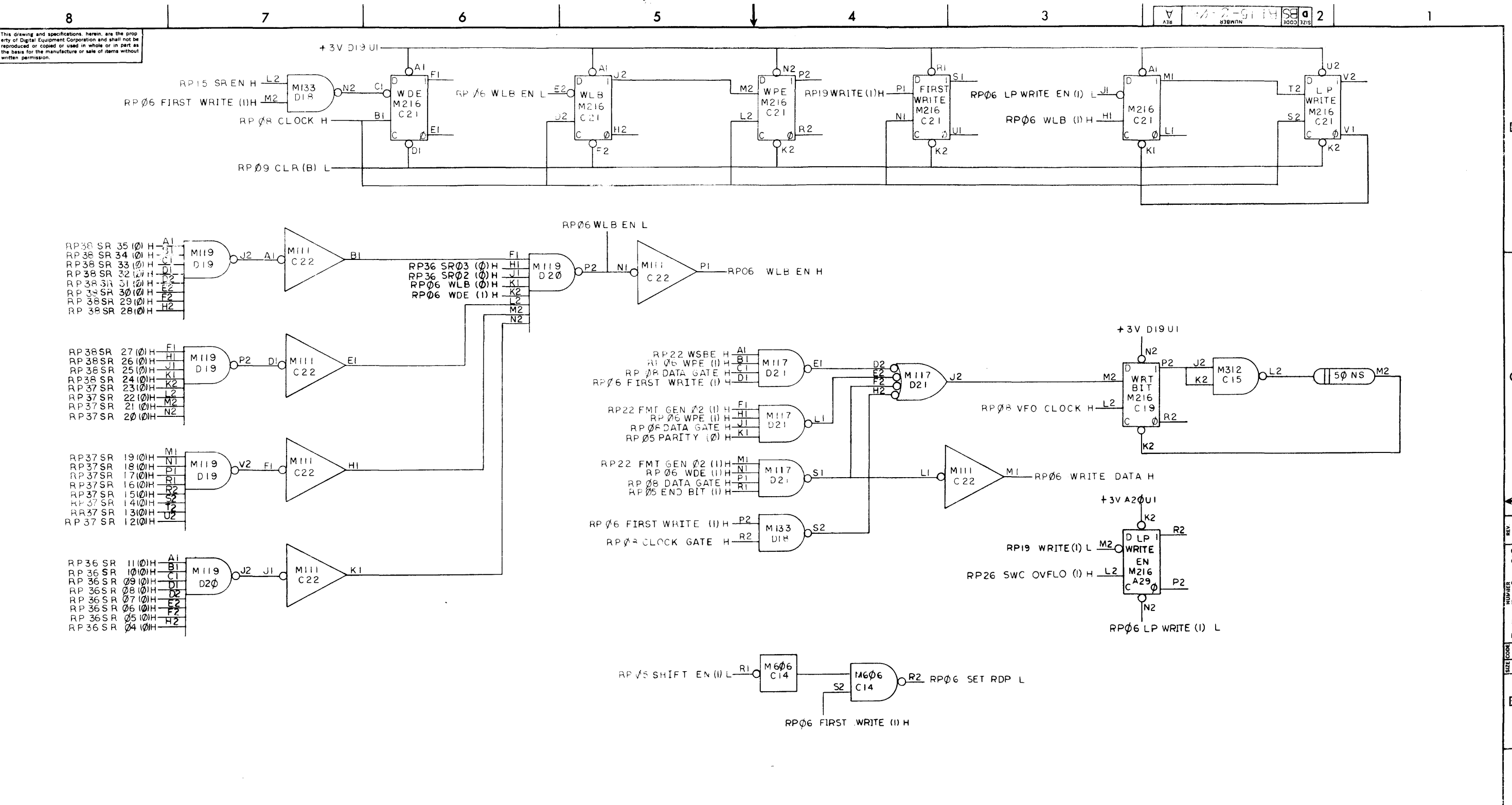


REV	CHG	NO	DATE	BY	APP
A	1	10-8-70	J. ZEH		
B	1	12-14-70	J. ZEH		
C	1	1-15-71	J. ZEH		
D	1	3-10-72	J. ZEH		

- RP53 READ DATA COAX 00 L F1
- RP53 READ DATA COAX 01 L H1
- RP53 READ DATA COAX 02 L J1
- RP53 READ DATA COAX 03 L K1
- RP53 READ DATA COAX 04 L L1
- RP53 READ DATA COAX 05 L M1
- RP53 READ DATA COAX 06 L N1
- RP53 READ DATA COAX 07 L O1

QTY	DESCRIPTION	PART NO	ITEM NO
	READ/WRITE CONTROL #1		

This drawing and specifications herein are the property of Digital Equipment Corporation and shall not be reproduced or copied in whole or in part as the basis for the manufacture or sale of items without written permission.

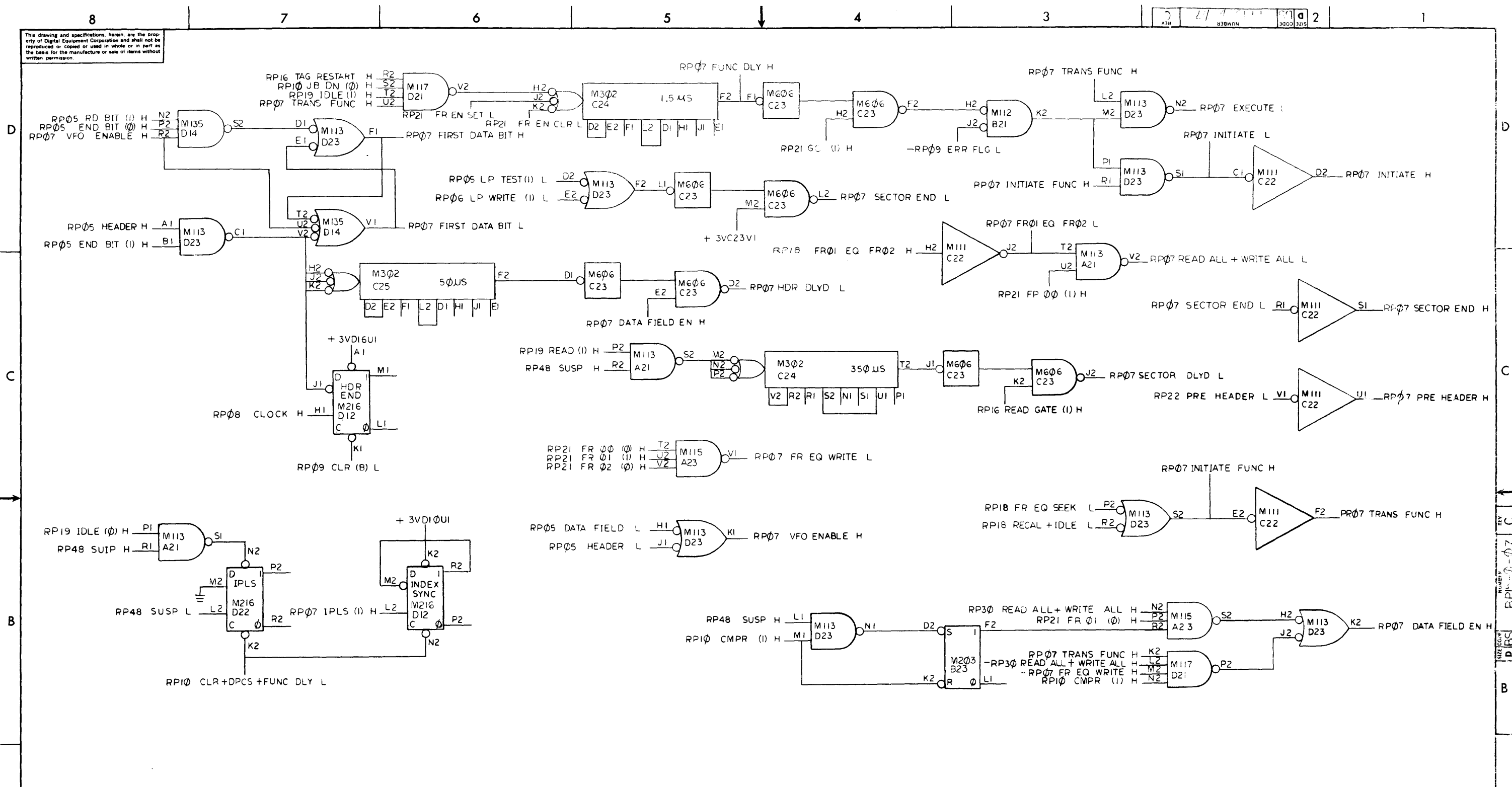


REV	NO	DATE	BY	CHK
A	1	7-15-70	J. ZEH	
A	2	7-21-70	J. ZEH	

FIRST USED ON OPTION/MODEL	QTY.	DESCRIPTION	PART NO.	ITEM NO.
PDP15				
PARTS LIST				
UNLESS OTHERWISE SPECIFIED		DRN	DATE	
UNLESS OTHERWISE SPECIFIED		CHK'D	DATE	
DIMENSION IN INCHES		ENG	DATE	
TOLERANCES		PROL ENG	DATE	
DECIMALS FRACTIONS ANGLES		PROL	DATE	
= .005 = 1/64 = 0°30'				
FINAL SURFACE QUALITY				
REMOVE BURRS AND BREAK SHARP CORNERS				
MATERIAL		NEXT HIGHER ASSY.		
FINISH		A ML RP15-0		
SCALE		SIZE/ CODE	NUMBER	REV
SHEET / OF /		D BSRP15-0-06		A
		DIST.		

REV A  
 NUMBER  
 D BSRP15-0-06  
 SIZE CODE  
 B

This drawing and specifications, herein, are the property of Digital Equipment Corporation and shall not be reproduced or copied or used in whole or in part as the basis for the manufacture or sale of items without written permission.

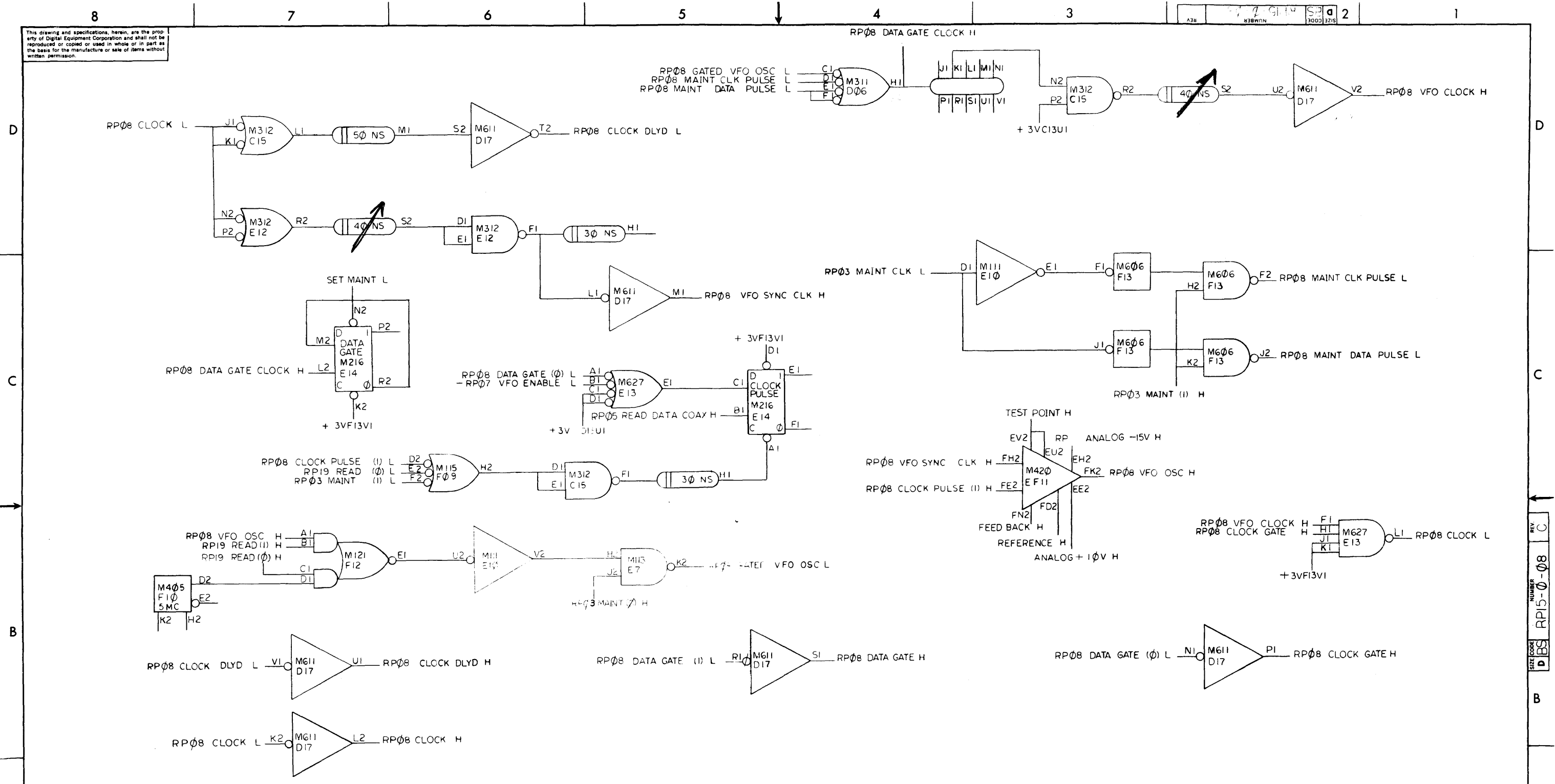


REV	CHG NO	REV
1	RP15-00005	A
2	RP15-00007	B
3	RP15-00008	C

FIRST USED ON OPTION/MODEL	QTY	DESCRIPTION	PART NO	ITEM NO.
PDP15				
PARTS LIST				
UNLESS OTHERWISE SPECIFIED	ORIP	DATE	digital EQUIPMENT CORPORATION MAYNARD, MASSACHUSETTS	
UNLESS OTHERWISE SPECIFIED	CHK'D	DATE	TITLE	
DIMENSION IN INCHES			READ/WRITE CONTROL # 3	
TOLERANCES	ENG	DATE		
DECIMALS FRACTIONS ANGLES				
± .005 ± 1/64 ± 0°30'	PROJ ENG	DATE		
FINAL SURFACE QUALITY	PROJ	DATE		
REMOVE BURRS AND BREAK SHARP CORNERS				
MATERIAL	NEXT HIGHER ASSY			
FINISH	A-ML-RP15-0			
SCALE	SHEET	OF	SIZE CODE	NUMBER
	1	1	DBS	RP15-0-07
			DIST.	REV
				C



This drawing and specifications, herein, are the property of Digital Equipment Corporation and shall not be reproduced or copied or used in whole or in part as the basis for the manufacture or sale of items without written permission.

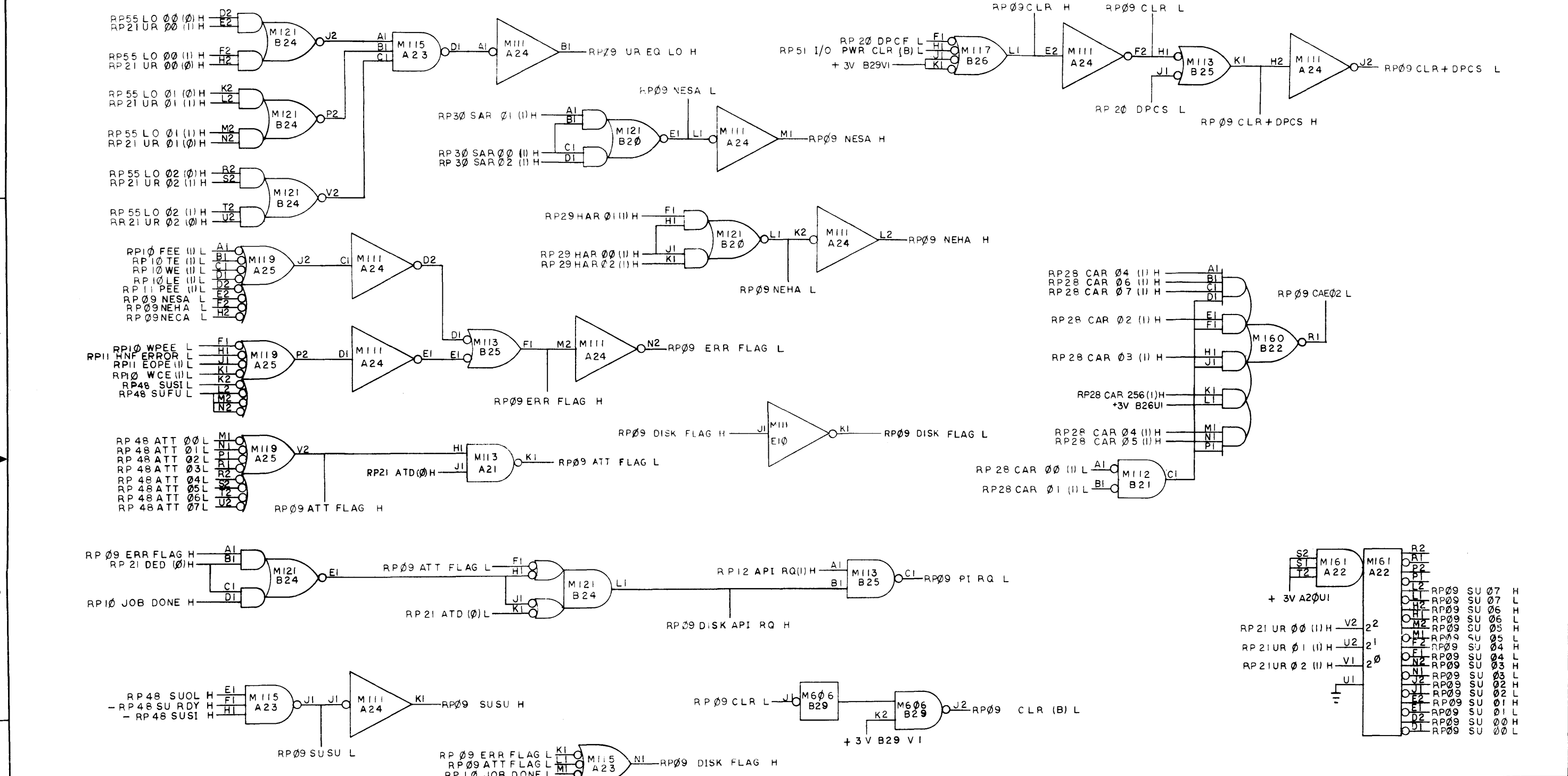


REV	CHANGE NO	DATE	BY	CHK
A	0005	1-24-70	J. ZEH	
B	0007	5-11-70	J. ZEH	
C	0009	12-14-70	J. ZEH	
		2-16-72	J. ZEH	

FIRST USED ON OPTION MODEL	QTY.	DESCRIPTION	PART NO.	ITEM NO.
PDP 15				
PARTS LIST				
UNLESS OTHERWISE SPECIFIED	DRR	DATE	digital EQUIPMENT CORPORATION MAYNARD, MASSACHUSETTS	
UNLESS OTHERWISE SPECIFIED	CHK'D	DATE	TITLE	
DIMENSION IN INCHES		2-23-70	DATA SEPARATOR CONTROL	
TOLERANCES	ENG.	DATE	SIZE CODE	
DECIMALS FRACTIONS ANGLES		1-24-70	NUMBER	
= .005 = 1/64 = 0°30'	PROJ. ENG.	DATE	REV	
FINAL SURFACE QUALITY		2-24-70	D B S RP15-0-08 C	
REMOVE BURRS AND BREAK SHARP CORNERS	PROD.	DATE	SCALE	
			SHEET OF	
MATERIAL	NEXT HIGHER ASSY			
FINISH	A - ML - RP15 - 0			

This drawing and specifications herein are the property of Digital Equipment Corporation and shall not be reproduced or copied in whole or in part as the basis for the manufacture or sale of items without written permission.

DBSRP15-0-09 2



REV	CHG	NO	DATE	BY
A	1	0005	10-8-70	J. ZEH
B	1	0007	9-13-70	J. ZEH
C	1	0009	12-14-70	J. ZEH
D	1	0018	2-10-72	J. ZEH

REV	CHG	NO	DATE	BY
A	1	0005	10-8-70	J. ZEH
B	1	0007	9-13-70	J. ZEH
C	1	0009	12-14-70	J. ZEH
D	1	0018	2-10-72	J. ZEH

REV	CHG	NO	DATE	BY
A	1	0005	10-8-70	J. ZEH
B	1	0007	9-13-70	J. ZEH
C	1	0009	12-14-70	J. ZEH
D	1	0018	2-10-72	J. ZEH

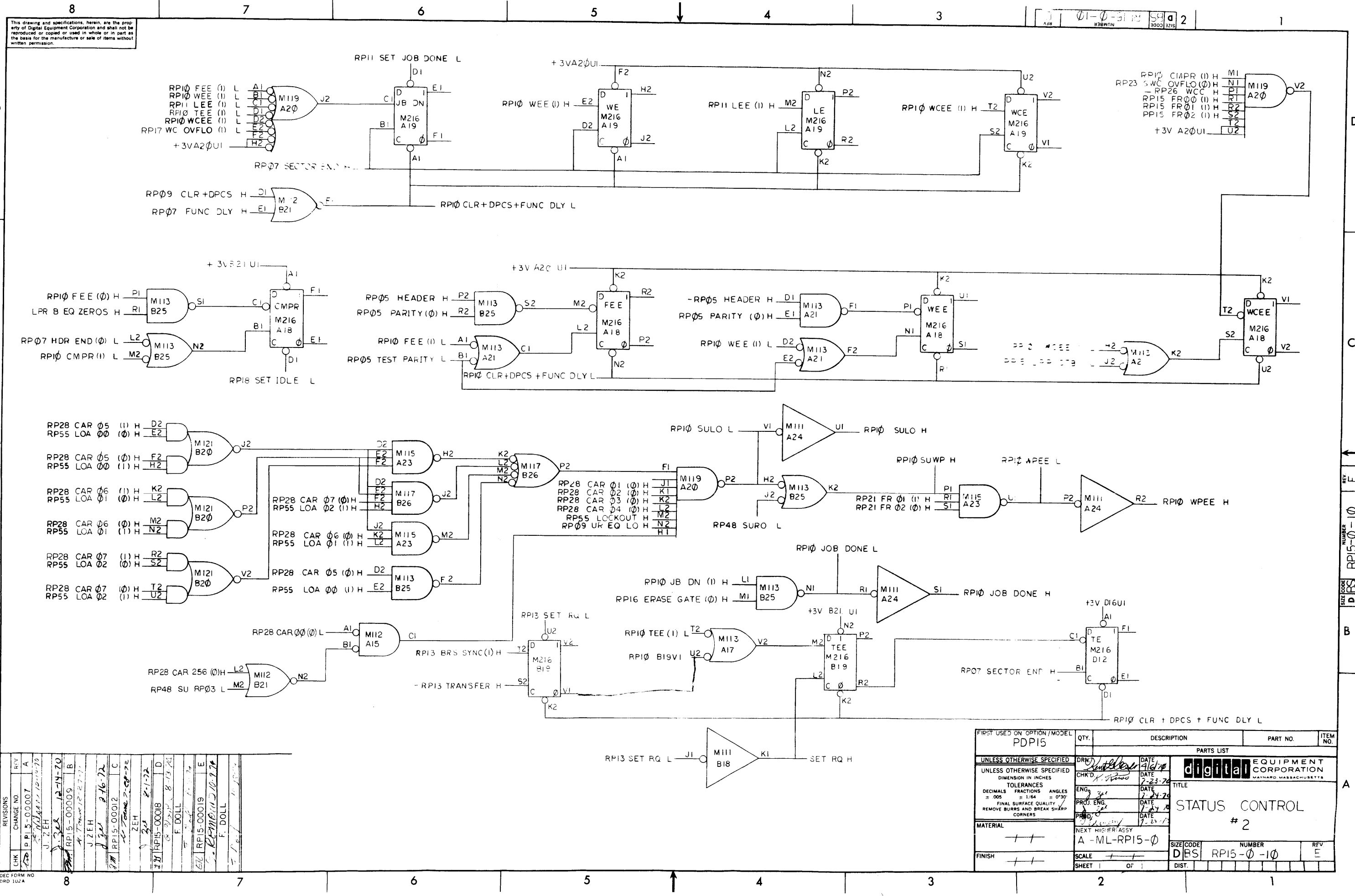
REV	CHG	NO	DATE	BY
A	1	0005	10-8-70	J. ZEH
B	1	0007	9-13-70	J. ZEH
C	1	0009	12-14-70	J. ZEH
D	1	0018	2-10-72	J. ZEH

REV	CHG	NO	DATE	BY
A	1	0005	10-8-70	J. ZEH
B	1	0007	9-13-70	J. ZEH
C	1	0009	12-14-70	J. ZEH
D	1	0018	2-10-72	J. ZEH

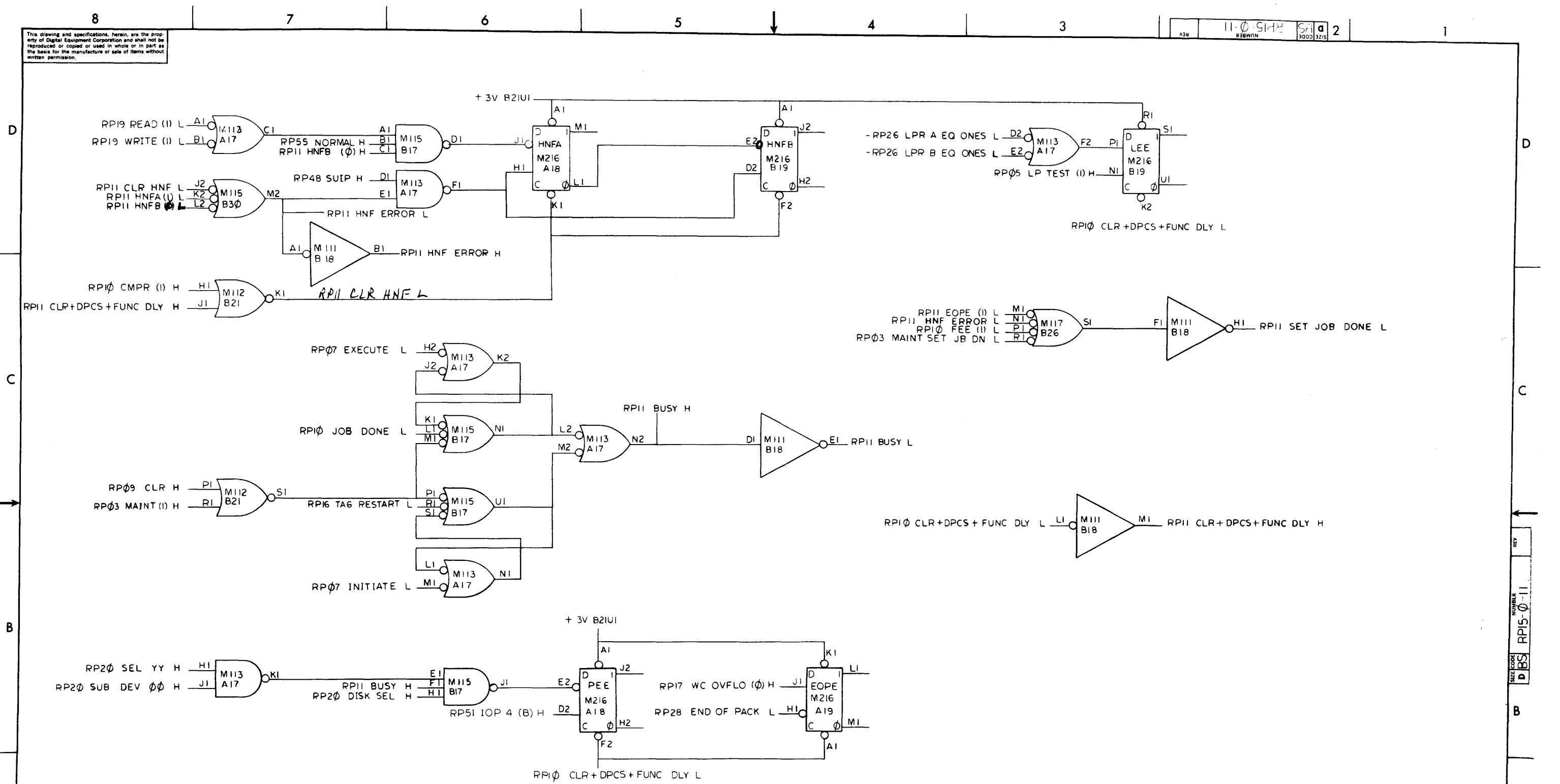
DBSRP15-0-09

This drawing and specifications, herein, are the property of Digital Equipment Corporation and shall not be reproduced or copied or used in whole or in part as the basis for the manufacture or sale of items without written permission.



This drawing and specifications, herein, are the property of Digital Equipment Corporation and shall not be reproduced or copied or used in whole or in part as the basis for the manufacture or sale of items without written permission.

11-0-9142  
11-0-9142  
SIZE CODE  
D  
REV 2



REV. NO.  
REV. 1  
CHK  
DEC FOR. NO.  
DRG 102A

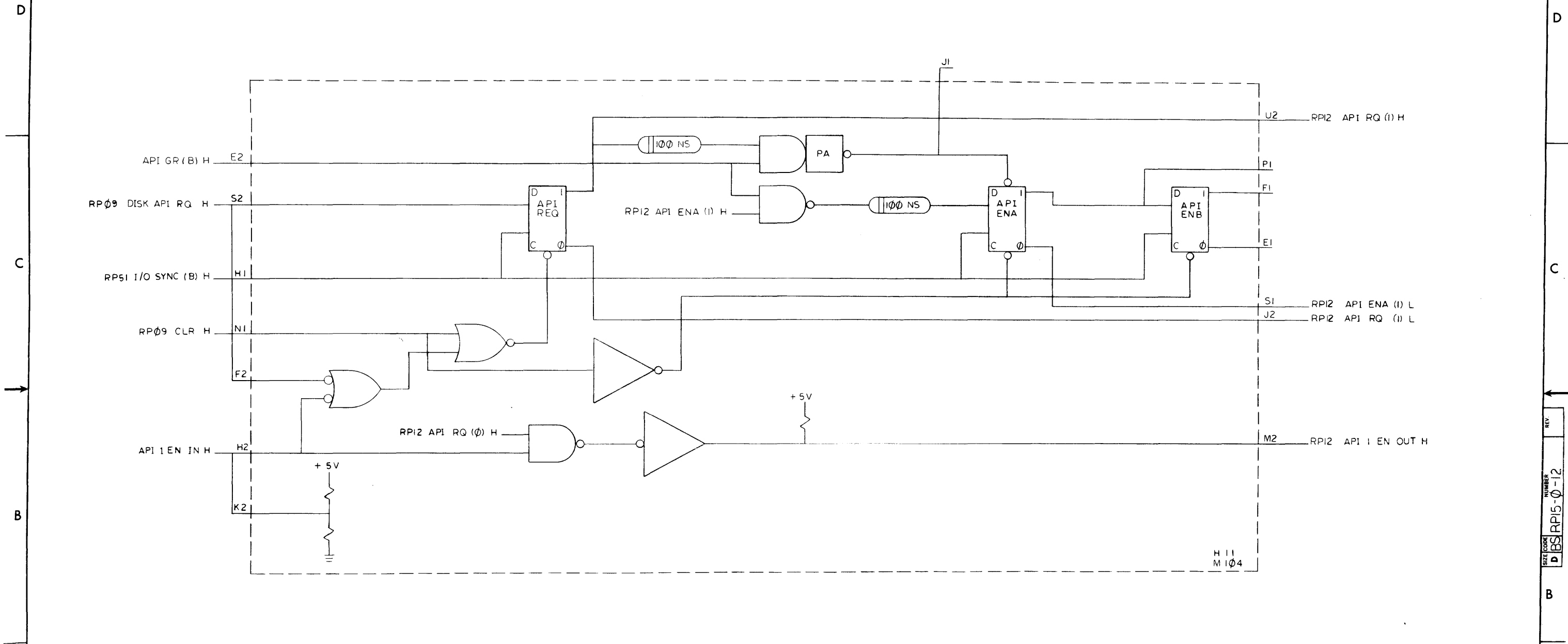
FIRST USED ON OPTION/MODEL	QTY.	DESCRIPTION	PART NO.	ITEM NO.
PDP 15				
PARTS LIST				
UNLESS OTHERWISE SPECIFIED		DRM	DATE	<b>digital</b> CORPORATION <small>MAYNARD, MASSACHUSETTS</small> <b>STATUS CONTROL</b> # 3
DIMENSION IN INCHES		CHK'D	DATE	
TOLERANCES		ENG.	DATE	
DECIMALS FRACTIONS ANGLES		PROJ. ENG.	DATE	
± .005 ± 1/64 ± 0°30'		PROD.	DATE	
REMOVE BURRS AND BREAK SHARP CORNERS				
MATERIAL	FINISH	NEXT HIGHER ASSY		
+++	+++	A-ML-RP15-0		
SCALE		SHEET	OF	
		DIST.		

REV. NO.  
REV. 1  
SIZE CODE  
D  
BS  
RP15-0-11

This drawing and specifications, herein, are the property of Digital Equipment Corporation and shall not be reproduced or copied or used in whole or in part as the basis for the manufacture or sale of items without written permission.

SIZE CODE D BS RPI5-0-12  
 NUMBER 12  
 REV 2

8 7 6 5 4 3 2 1



H 11  
 M 104

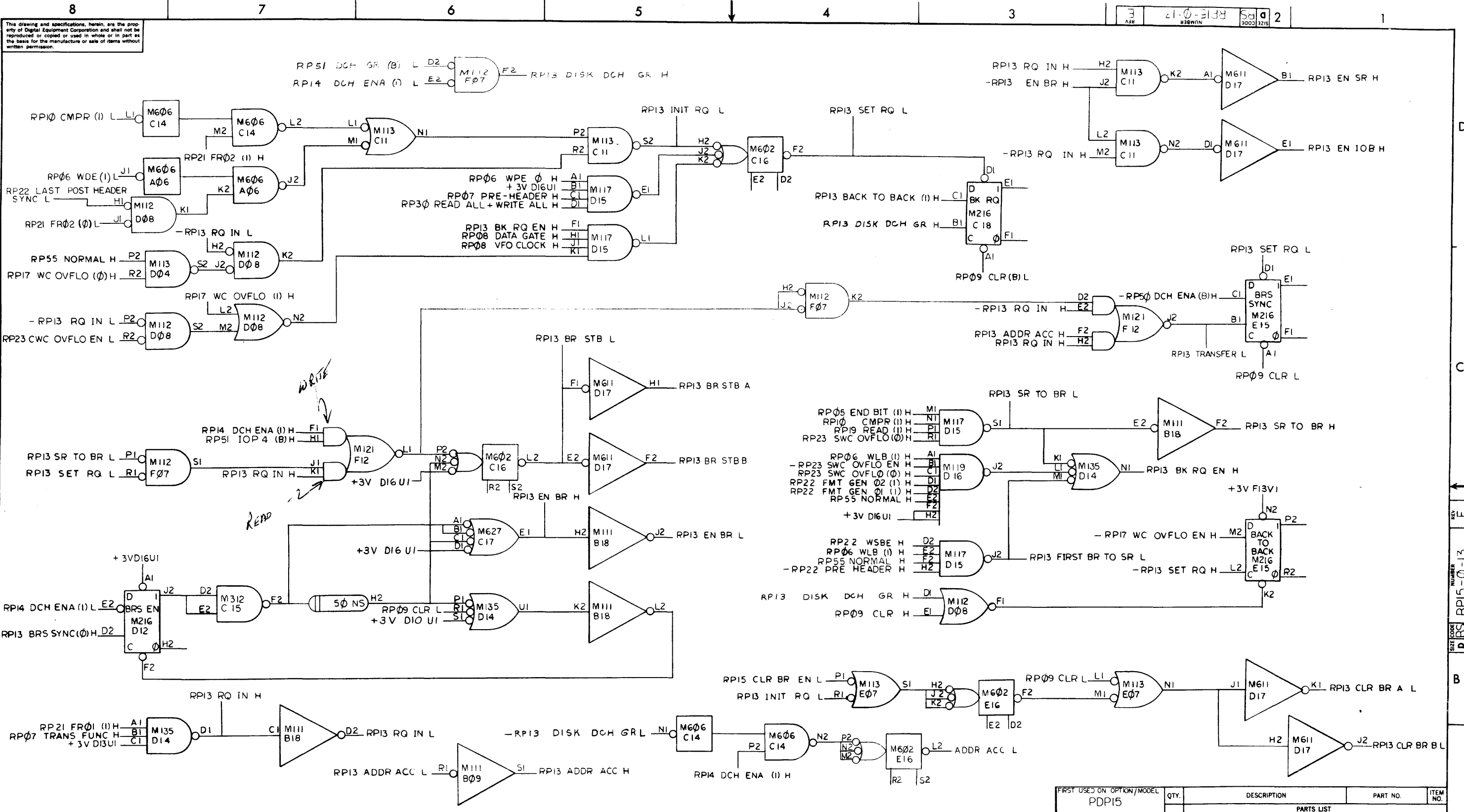
REVISIONS	REV
CHK	CHANGE NO.

DEC FORM NO DRD 102A

8 7 6 5 4 3 2 1

FIRST USED ON OPTION / MODEL	QTY.	DESCRIPTION	PART NO.	ITEM NO.
PDP15				
UNLESS OTHERWISE SPECIFIED				
DRN	<i>[Signature]</i>	DATE	7/21/70	
CHK'D	<i>[Signature]</i>	DATE	7-23-70	
ENG	<i>[Signature]</i>	DATE	7-24-70	
PROJ. ENG	<i>[Signature]</i>	DATE	7-24-70	
PRD	<i>[Signature]</i>	DATE	7-24-70	
PARTS LIST				
digital EQUIPMENT CORPORATION MAYNARD, MASSACHUSETTS				
TITLE				
API CONTROL				
MATERIAL				
NEXT HIGHER ASSY				
A-ML-RP15-0				
FINISH				
SCALE				
SHEET 1 OF 1				
SIZE CODE		NUMBER		REV
D BS		RP15-0-12		
DIST.				

This drawing and specifications, herein, are the property of Digital Equipment Corporation and shall not be reproduced or copied or used in whole or in part as the basis for the manufacture or sale of items without written permission.

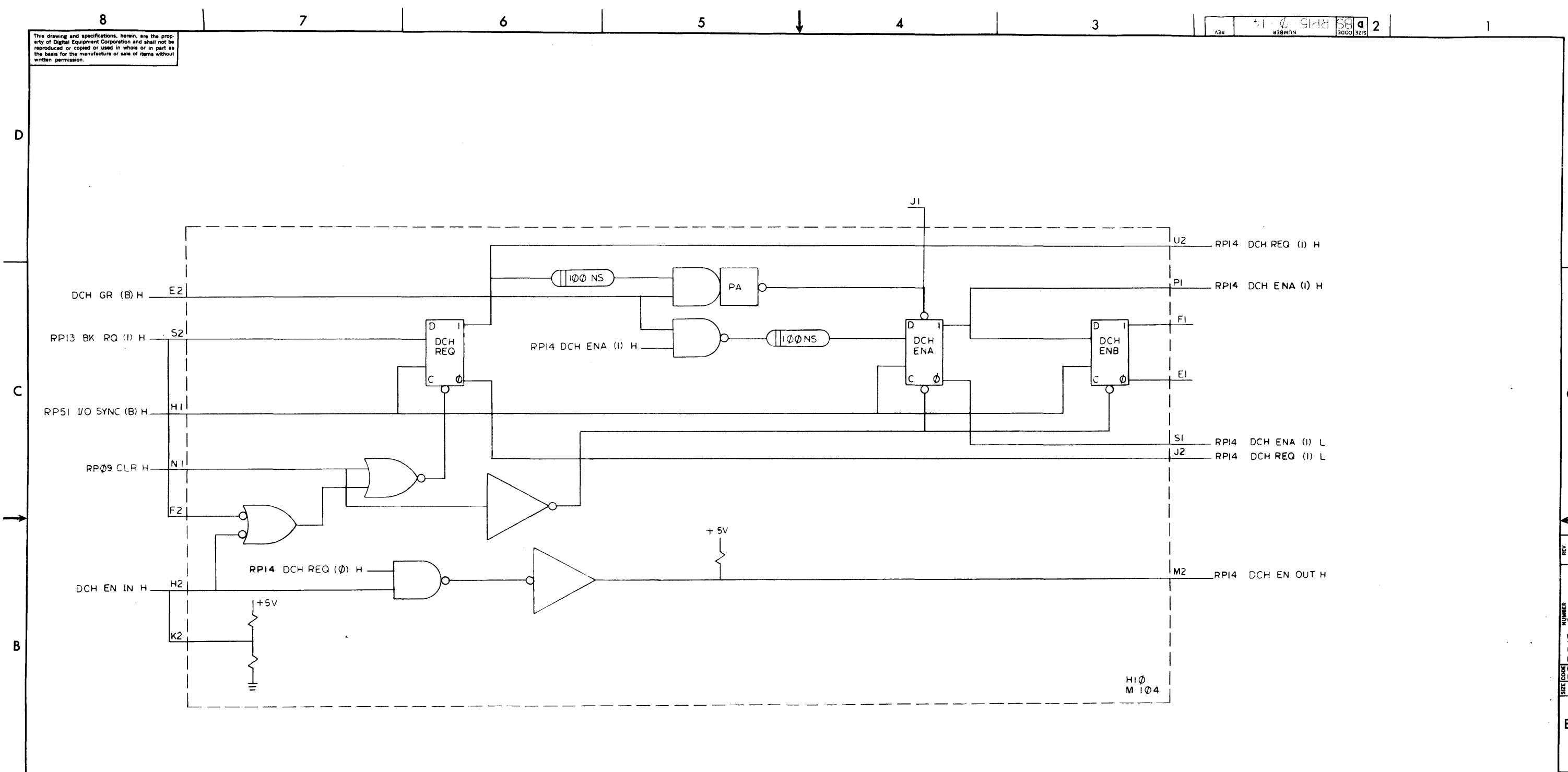


REV	DATE	BY	CHK	DESCRIPTION
1	7-23-70	J. ZEH	J. ZEH	RP15-0005 A
2	7-24-70	J. ZEH	J. ZEH	RP15-0007 B
3	7-24-70	J. ZEH	J. ZEH	RP15-0009 C
4	7-24-70	J. ZEH	J. ZEH	RP15-0012 D
5	8-1-72	J. ZEH	J. ZEH	RP15-0017 E
6	7-17-73	F. DOLL	F. DOLL	RP15-0013 F

FIRST USED ON OPTION/MODEL	QTY.	DESCRIPTION	PART NO.	ITEM NO.
PDP15				
PARTS LIST				
<b>BUF. REGISTER CONTROL</b>				
MATERIAL: + + FINISH: + +			NEXT HIGHER ASSY: A-ML-RP15-0	SIZE CODE: DBS NUMBER: RP15-0-13 REV: E

This drawing and specifications, herein, are the property of Digital Equipment Corporation and shall not be reproduced or copied or used in whole or in part as the basis for the manufacture or sale of items without written permission.

REV. 2  
 SIZE CODE D  
 NUMBER BS  
 PART NO. RP15-0-14



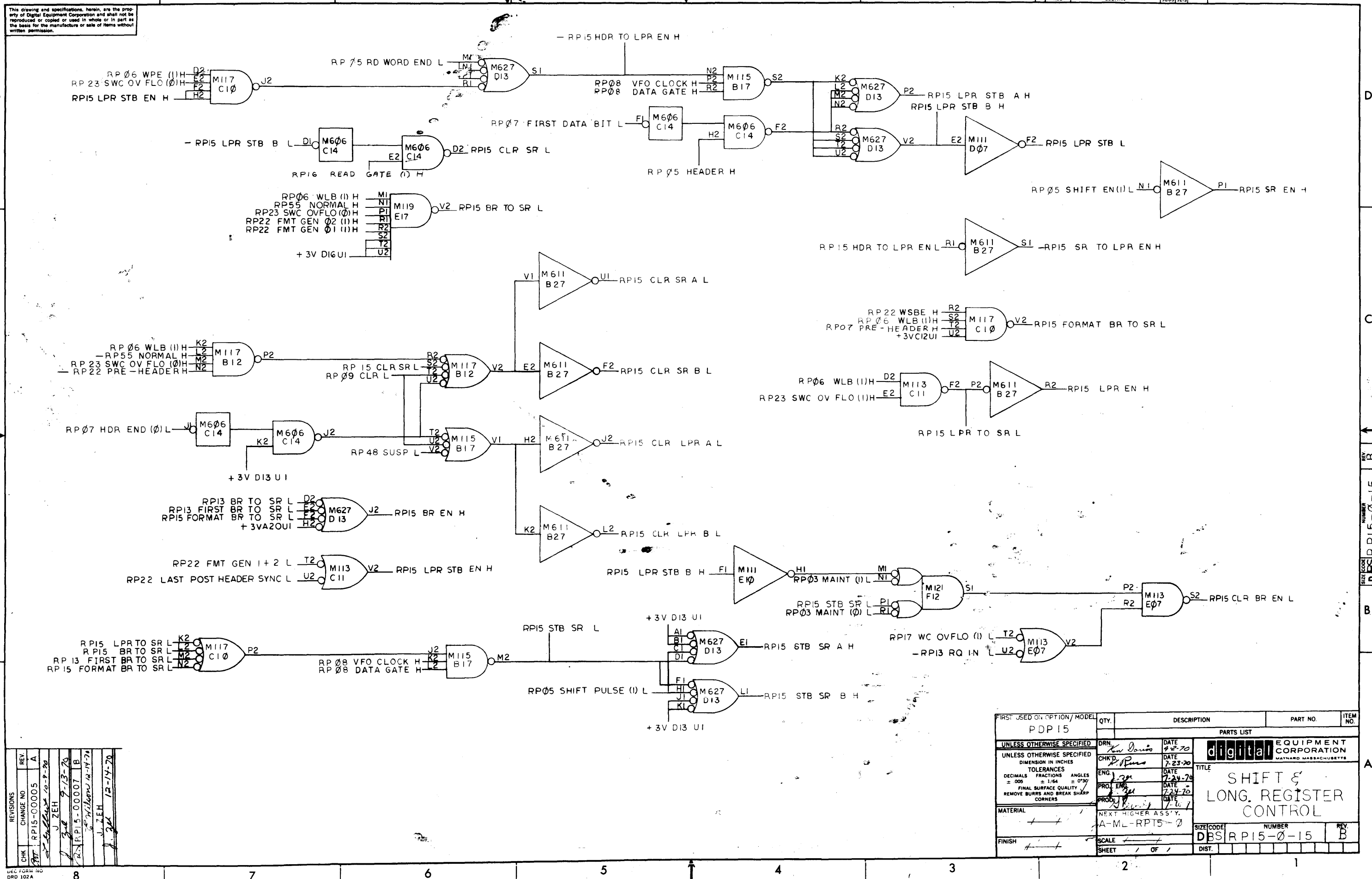
REV.	
CHANGE NO.	
CHK	

DEC FORM NO. DRD 102A

FIRST USED ON OPTION / MODEL PDP 15	QTY.	DESCRIPTION	PART NO.	ITEM NO.
PARTS LIST				
UNLESS OTHERWISE SPECIFIED	DRW'D	DATE	digital EQUIPMENT CORPORATION MAYNARD, MASSACHUSETTS	
UNLESS OTHERWISE SPECIFIED	CHK'D	DATE	TITLE	
DIMENSION IN INCHES		7-23-70	DCH CONTROL	
TOLERANCES		DATE	SIZE CODE	
DECIMALS	FRACTIONS	7-24-70	D BS	
± .005	± 1/64	DATE	NUMBER	
FINAL SURFACE QUALITY		7-24-70	RP15-0-14	
REMOVE BURRS AND BREAK SHARP CORNERS		DATE	REV.	
		7-24-70		
MATERIAL	NEXT HIGHER ASSY	SCALE		
+	A - ML - RP15 - 0	SHEET 1 OF 1		
FINISH		DIST.		
+				

8 7 6 5 4 3 2 1

This drawing and specifications, herein, are the property of Digital Equipment Corporation and shall not be reproduced or copied or used in whole or in part as the basis for the manufacture or sale of items without written permission.



REV	CHANGE NO	DATE	BY
A	0005	7-23-70	J ZEH
B	0007	7-24-70	J ZEH
C	0008	7-24-70	J ZEH
D	0009	7-24-70	J ZEH

REV	DESCRIPTION	PART NO.	ITEM NO.
1	SHIFT & LONG. REGISTER CONTROL	DBS RPI5-0-15	B

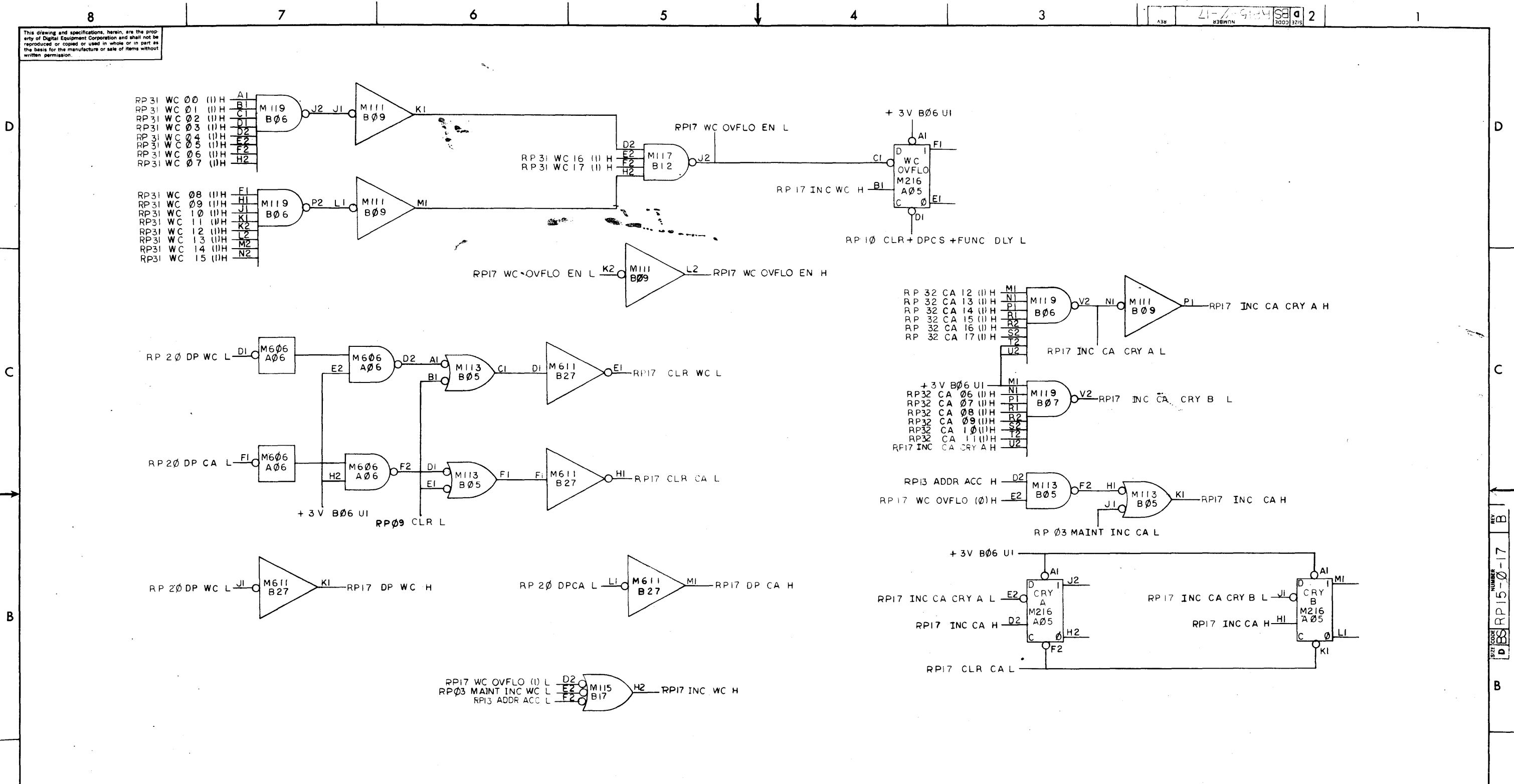
  

REV	DATE	BY	DESCRIPTION
1	7-23-70	J ZEH	DRN
2	7-23-70	J ZEH	CHK'D
3	7-24-70	J ZEH	ENG
4	7-24-70	J ZEH	PRO. ENG.
5	7-24-70	J ZEH	PROD.





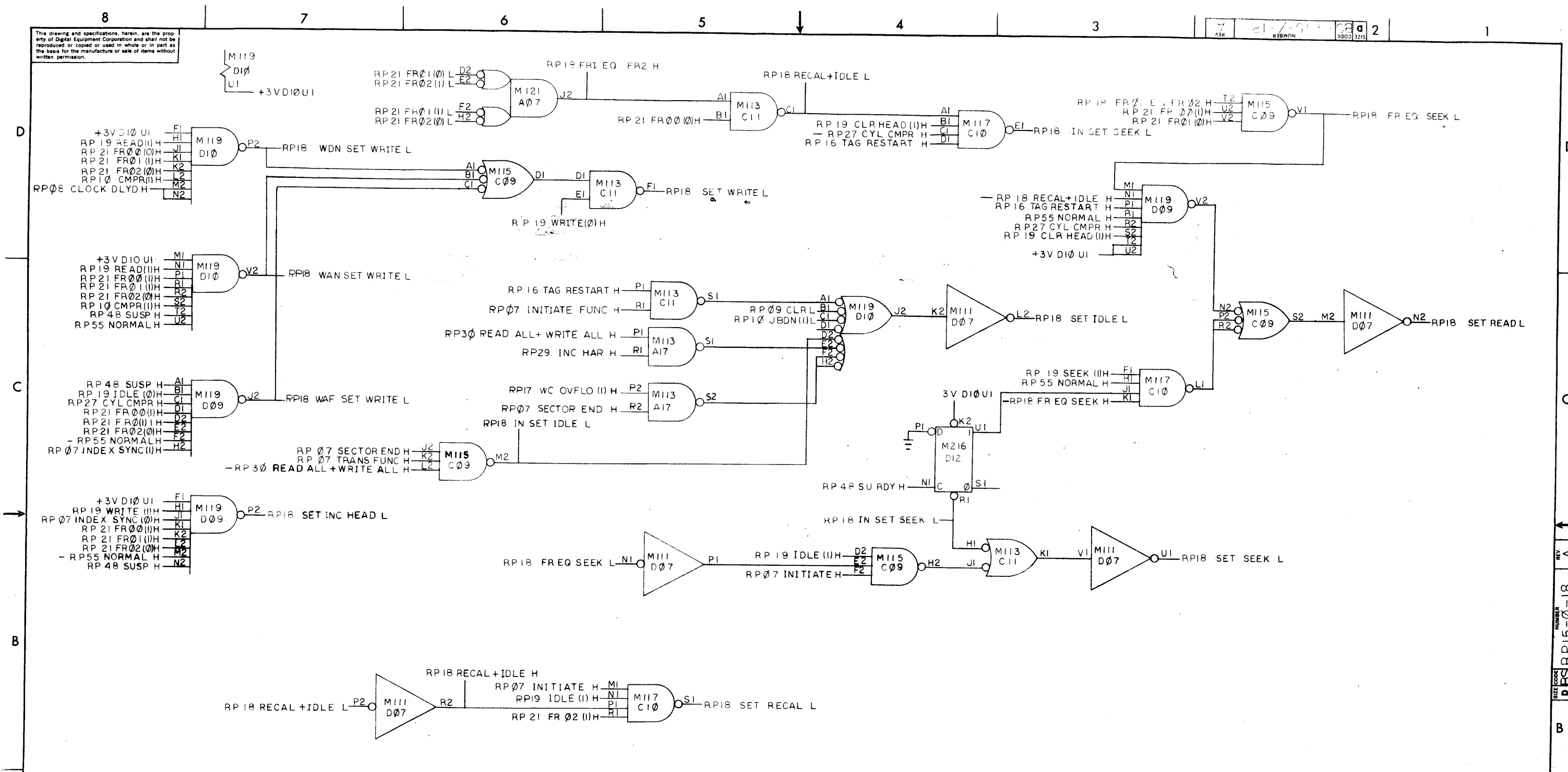
This drawing and specifications, herein, are the property of Digital Equipment Corporation and shall not be reproduced or copied or used in whole or in part as the basis for the manufacture or sale of items without written permission.



REV.	CHG. NO.	REV.
1	0007	A
2	12-14-70	B
3	12-14-70	B
4	0005	B
5	2-16-72	B

FIRST USED ON OPTION / MODEL		QTY.	DESCRIPTION	PART NO.	ITEM NO.
PDP 15					
UNLESS OTHERWISE SPECIFIED		DRN	DATE	PARTS LIST	
DIMENSION IN INCHES		<i>New Series</i>	9-6-70	<b>digital</b> EQUIPMENT CORPORATION MAYNARD, MASSACHUSETTS	
TOLERANCES		CHK'D	DATE		
DECIMALS FRACTIONS		ENG	DATE		
= .005 ± 1/64 = 0°30'		PROJ. ENG.	DATE		
FINAL SURFACE QUALITY		PROJ. MGR.	DATE	TITLE	
REMOVE BURRS AND BREAK SHARP CORNERS			7-24-70	WC & CA CONTROL	
MATERIAL		NEXT HIGHER ASS'Y			
FINISH		A-ML-RP15-0			
SCALE		SIZE CODE			
SHEET 1 OF 1		NUMBER			
		D B S RP15-0-17			
		REV. B			

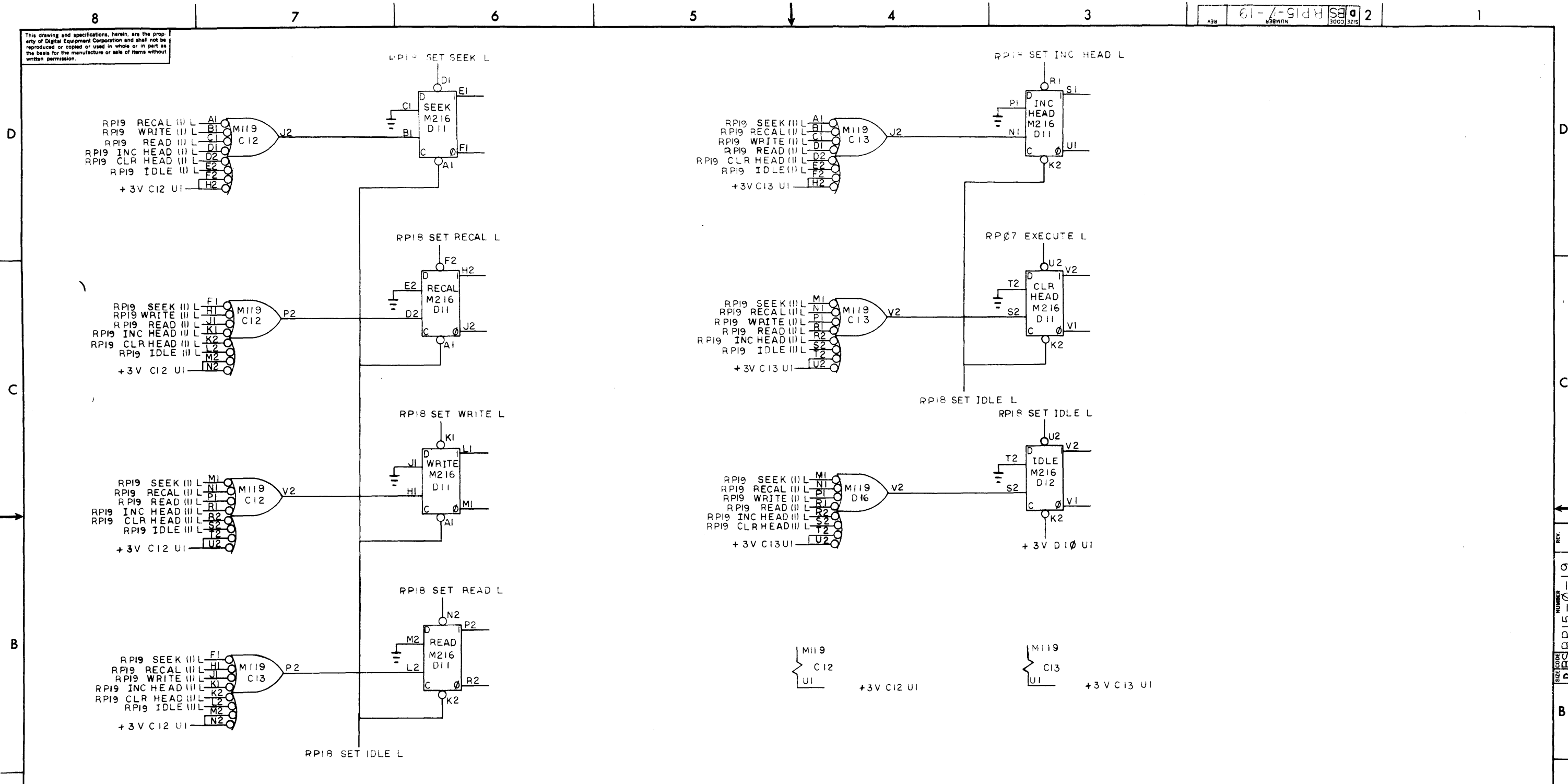
This drawing and specifications, herein, are the property of Digital Equipment Corporation and shall not be reproduced or copied or used in whole or in part as the basis for the manufacture or sale of items without written permission.



REV	CHANGE NO.	DATE
1	RP15-00005	9-15-70
2		9-15-70
3		9-15-70

REV	DESCRIPTION	PART NO.	ITEM NO.
1	MAJOR STATE CONTROL	DBS RP15-0-18	A

This drawing and specifications, herein, are the property of Digital Equipment Corporation and shall not be reproduced or copied or used in whole or in part as the basis for the manufacture or sale of items without written permission.

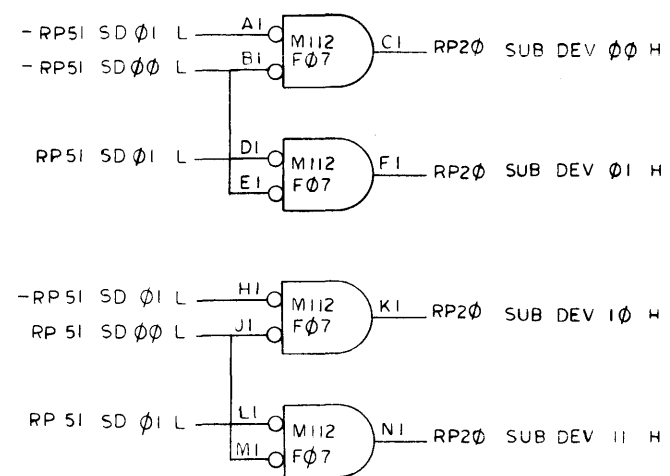
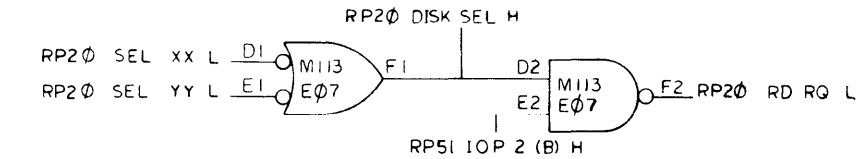
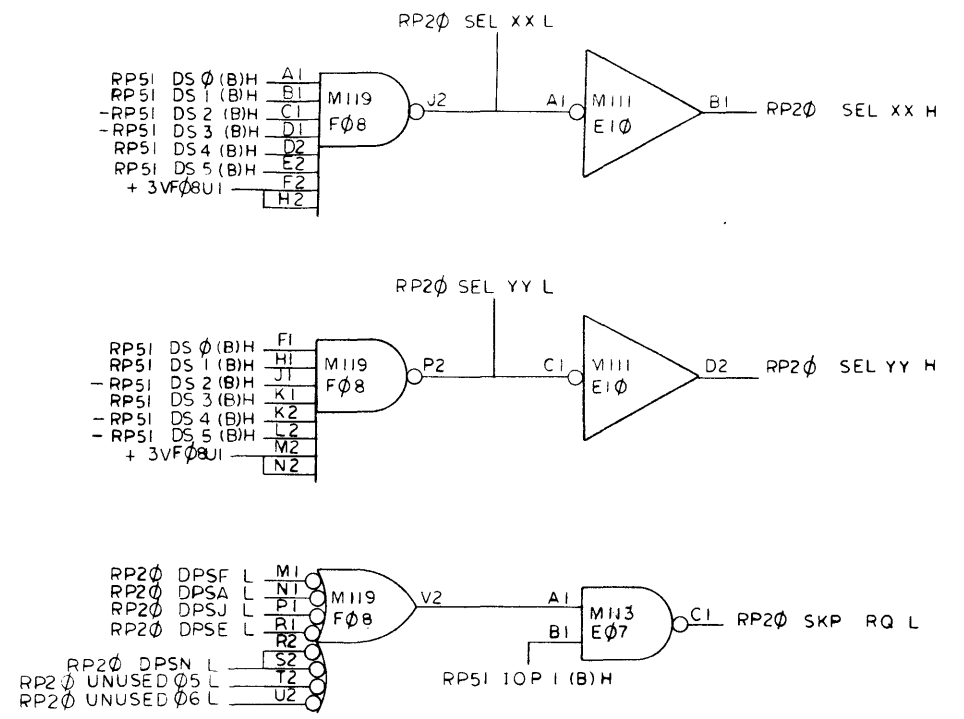
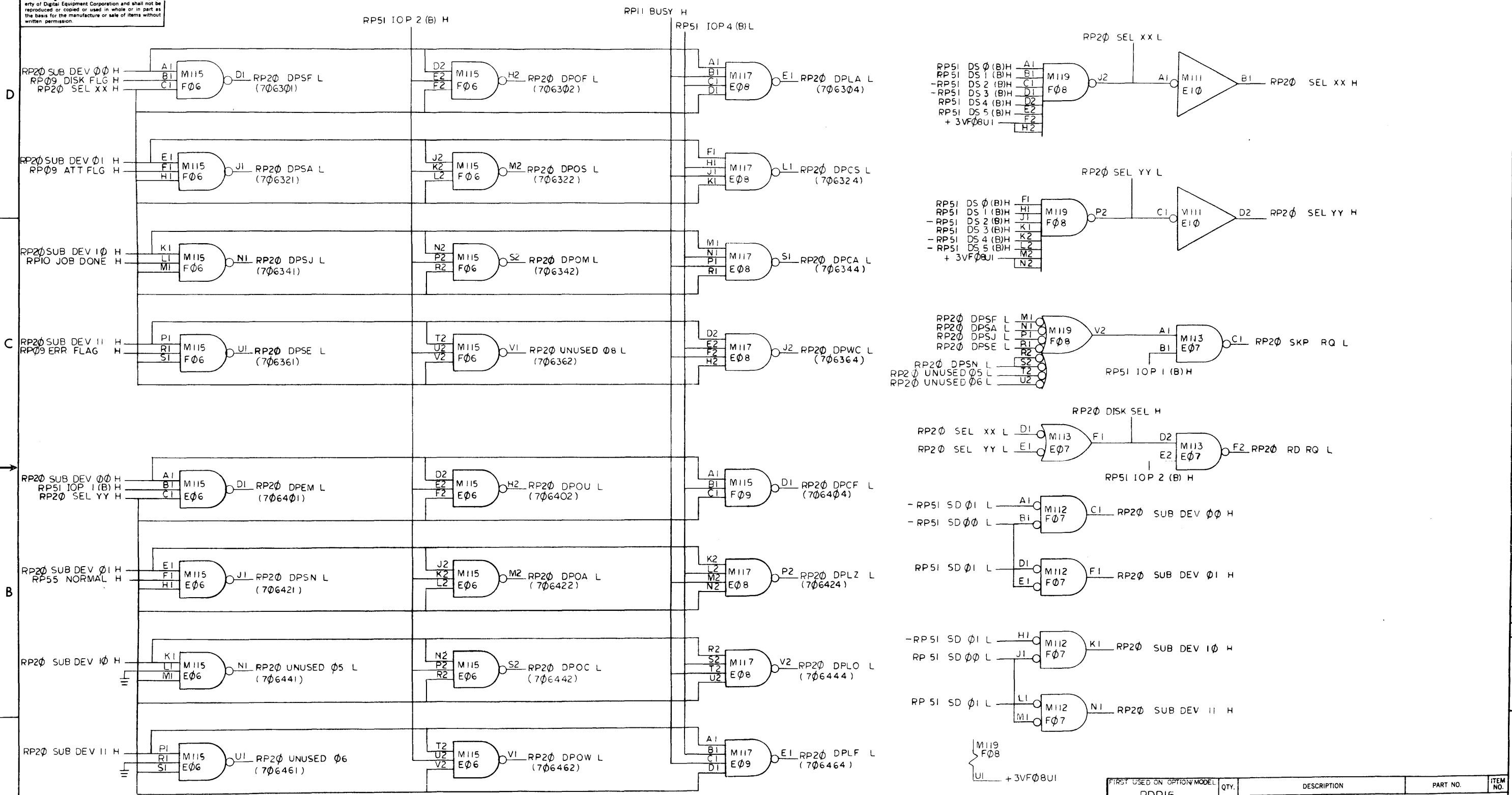


REV	NO
CHK	

FIRST USED ON OPTION MODEL PDP 15	QTY.	DESCRIPTION	PART NO.	ITEM NO.
UNLESS OTHERWISE SPECIFIED		DRN. <i>R. Davis</i> DATE 5-30-70	PARTS LIST	
UNLESS OTHERWISE SPECIFIED		CHK'D. <i>R. Russ</i> DATE 7-23-70	digital EQUIPMENT CORPORATION WAYNAND MASSACHUSETTS	
DIMENSION IN INCHES		ENG. <i>J. J. J.</i> DATE 7-24-70	TITLE MAJOR STATE	
TOLERANCES DECIMALS FRACTIONS ANGLES ± .005 ± 1/64 ± 0°30'		PROJ. ENG. <i>J. J. J.</i> DATE 7-24-70	SIZE CODE NUMBER REV.	
FINAL SURFACE QUALITY REMOVE BURRS AND BREAK SHARP CORNERS		PROD. <i>J. J. J.</i> DATE 7-24-70	DBS RP15-0-19	
MATERIAL	NEXT HIGHER AS S'Y.	SCALE		
FINISH	A-ML-RP15-0	SHEET 1 OF 1		

REV. NO. DBS RP15-0-19

This drawing and specifications herein are the property of Digital Equipment Corporation and shall not be reproduced or copied or used in whole or in part as the basis for the manufacture or sale of items without written permission.



M119 F08  
UI +3V08UI

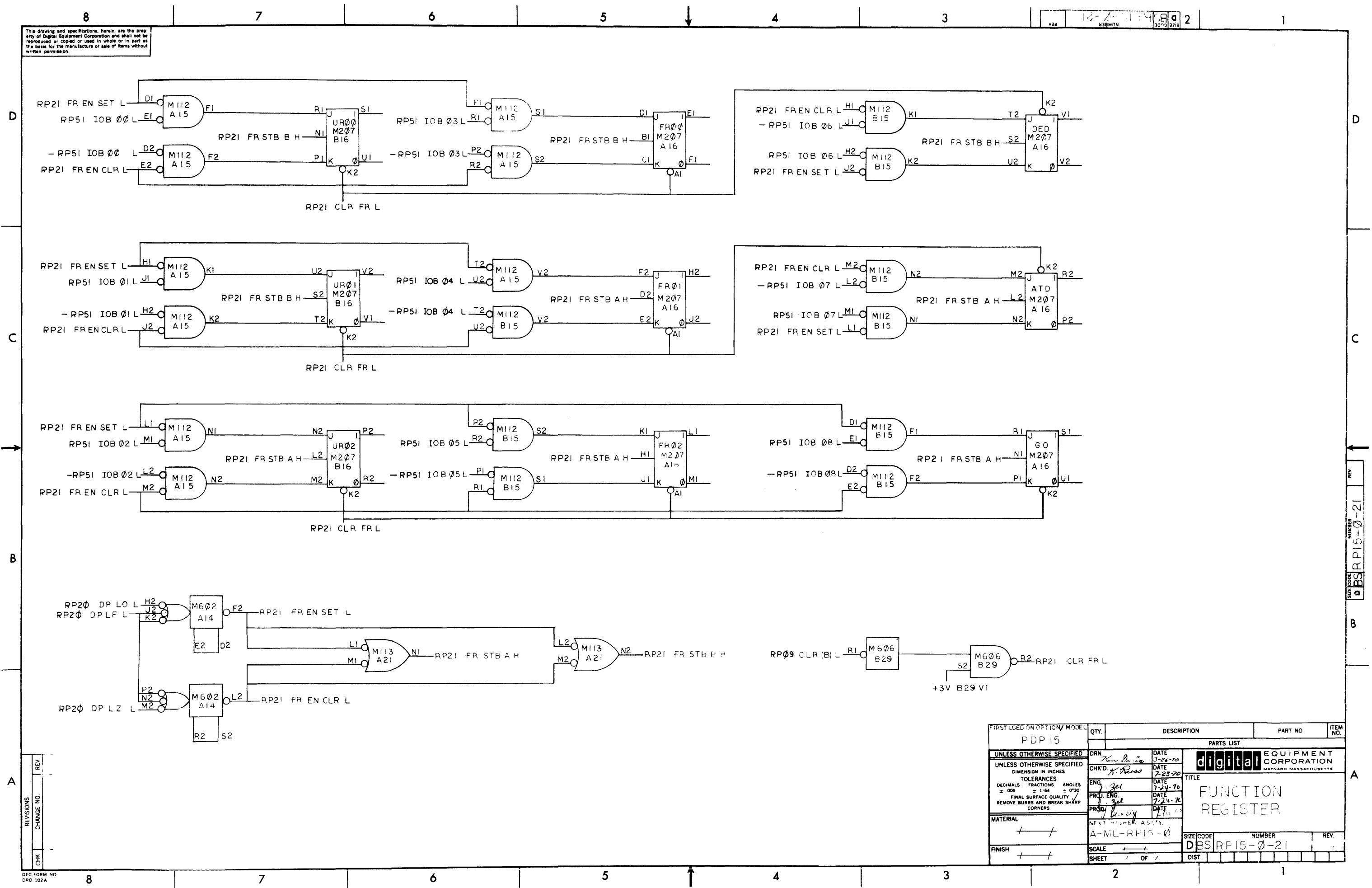
REV	
CHG	
NO	
NO	

FIRST USED ON OPTION MODEL	QTY.	DESCRIPTION	PART NO.	ITEM NO.
PDP15				
PARTS LIST				
UNLESS OTHERWISE SPECIFIED	DRK	DATE	digital EQUIPMENT CORPORATION MAYNARD, MASSACHUSETTS	
UNLESS OTHERWISE SPECIFIED	CHK'D	DATE	TITLE	
DIMENSION IN INCHES		7-23-70	IOT SELECTION	
TOLERANCES	ENG	DATE		
DECIMALS FRACTIONS ANGLES		7-24-70		
± .005 ± 1/64 ± 0°30'	PROJ. ENG.	DATE		
FINAL SURFACE QUALITY / REMOVE BURRS AND BREAK SHARP CORNERS	PROD.	DATE		
MATERIAL			NEXT HIGHER ASSY	
FINISH			A-ML-RP15-0	
			SCALE	NUMBER
			DIST.	REV.

REV. NUMBER  
RP15-0-20

This drawing and specifications, herein, are the property of Digital Equipment Corporation and shall not be reproduced or copied or used in whole or in part as the basis for the manufacture or sale of items without written permission.

REV 12-7-70  
 NUMBER 8  
 SIZE CODE D  
 2

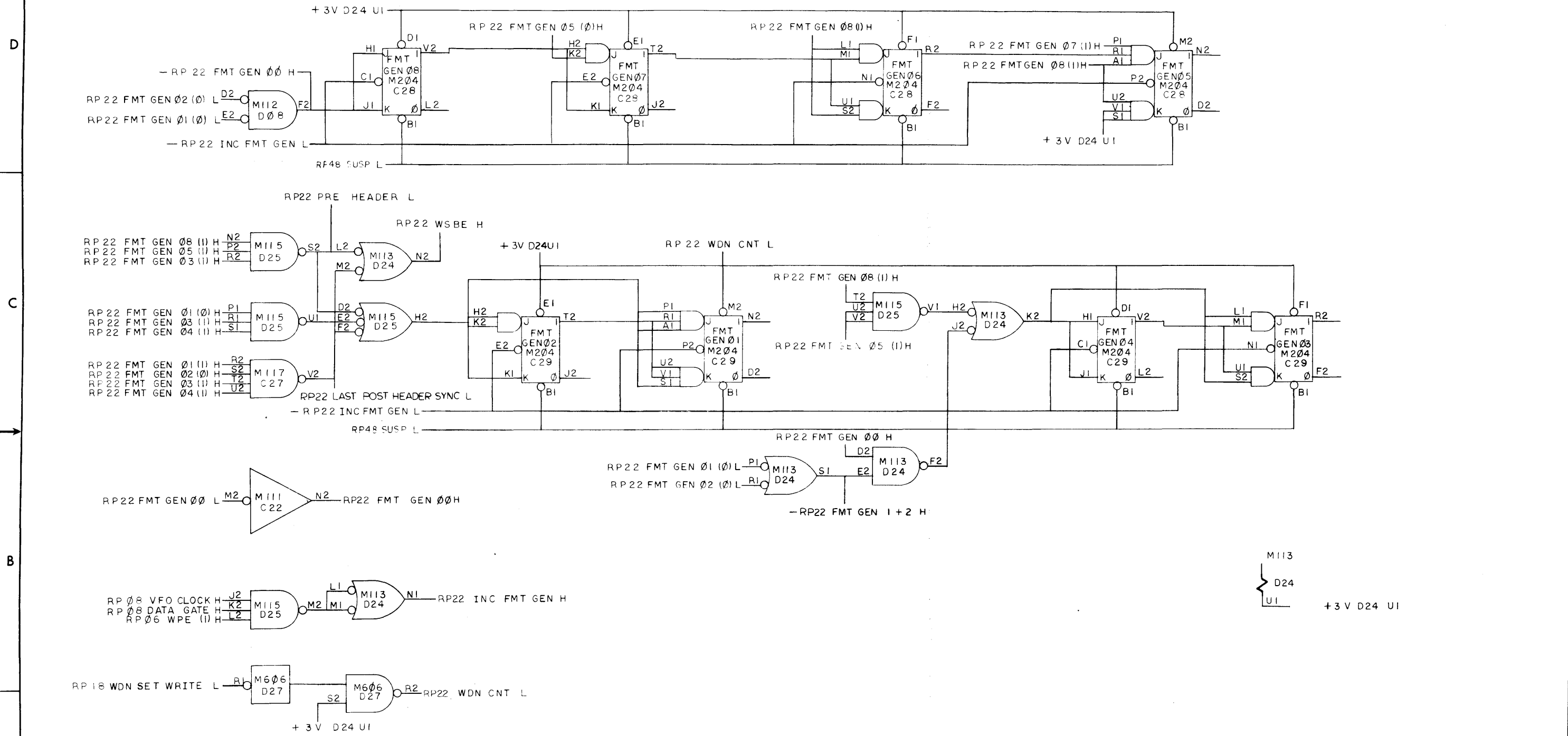


REV	CHANGE NO
CHK	

FIRST USED ON OPTION MODEL PDP 15	QTY.	DESCRIPTION	PART NO.	ITEM NO.
UNLESS OTHERWISE SPECIFIED	DRN	DATE	PARTS LIST	
UNLESS OTHERWISE SPECIFIED	CHK'D	DATE	digital EQUIPMENT CORPORATION MAYNARD, MASSACHUSETTS	
DIMENSION IN INCHES	ENG	DATE	TITLE	
TOLERANCES	PROJ. ENG.	DATE	FUNCTION REGISTER	
DECIMALS FRACTIONS ANGLES	PROD	DATE	SIZE CODE NUMBER REV.	
± .005 ± .001 ± 0°30'	NEXT FISHER ASSN.		D B S R P 1 5 - 0 - 2 1	
FINAL SURFACE QUALITY REMOVE BURRS AND BREAK SHARP CORNERS	A-ML-RP15-0		SCALE DIST.	
MATERIAL			SHEET OF	
FINISH				

REV. NUMBER  
 D B S R P 1 5 - 0 - 2 1

This drawing and specifications, herein, are the property of Digital Equipment Corporation and shall not be reproduced or copied or used in whole or in part as the basis for the manufacture or sale of items without written permission.



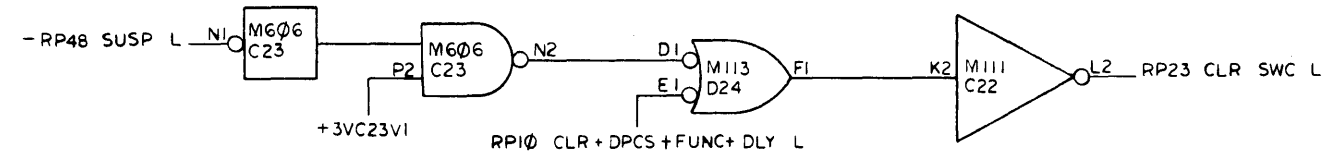
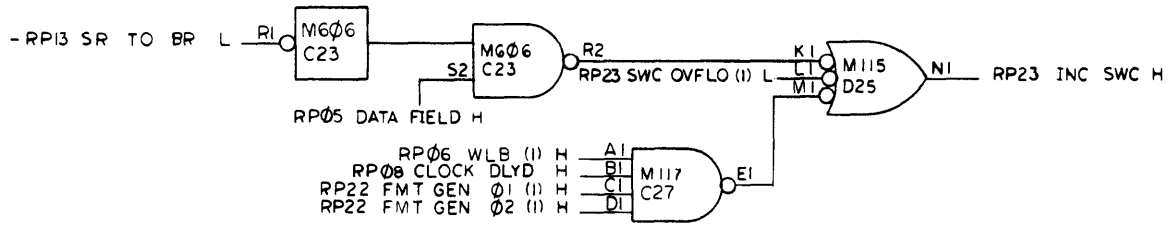
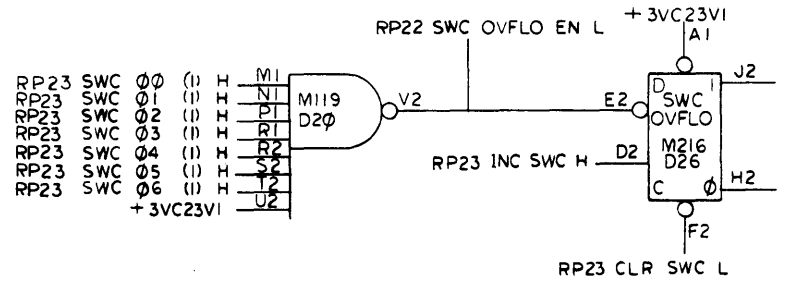
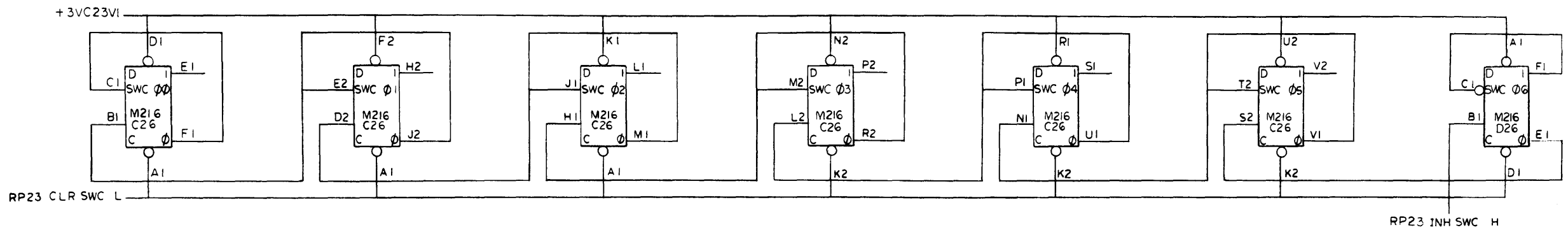
M113  
 D24  
 UI  
 +3V D24 UI

REV	CHANGE NO.	DATE	BY	CHK
A	RP15-00007	12-17-70	J. ZEH	
B	RP15-00013	1-22-71	HALIC	
			R. H. HALL	

DEC FORM NO. DRD 102A

QTY.	DESCRIPTION	PART NO.	ITEM NO.
	PDP 15		
UNLESS OTHERWISE SPECIFIED: DRN DATE 8-18-70			
UNLESS OTHERWISE SPECIFIED: CHK'D DATE 7-23-70			
UNLESS OTHERWISE SPECIFIED: DIMENSION IN INCHES			
TOLERANCES: DECIMALS FRACTIONS ANGLES			
= .005 = 1/64 = 0°30'			
FINAL SURFACE QUALITY: REMOVE BURRS AND BREAK SHARP CORNERS			
MATERIAL: NEXT HIGHER ASSY.			
FINISH: A-ML-RP15-0			
SCALE: 1 OF 1		SHEET	
TITLE: WRITE FORMAT GENERATOR		PARTS LIST	
SIZE CODE: DBS		NUMBER: RP15-0-22	
REV. B		REV. B	

This drawing and specifications, herein, are the property of Digital Equipment Corporation and shall not be reproduced or copied or used in whole or in part as the basis for the manufacture or sale of items without written permission.



REV	CHANGE NO

FIRST USED ON OPTION / MODEL	QTY.	DESCRIPTION	PART NO.	ITEM NO.
PDP15				
PARTS LIST				
UNLESS OTHERWISE SPECIFIED	DRY	DATE 4/1/70	<b>digital</b> EQUIPMENT CORPORATION WAYNARD, MASSACHUSETTS	
UNLESS OTHERWISE SPECIFIED	CHK'D. H. Rios	DATE 7-23-70		
TOLERANCES		DATE 7-24-70	TITLE <b>SECTOR WORD COUNT</b>	
DECIMALS FRACTIONS ANGLES	ENG. J. J.	DATE 7-24-70		
± .005 ± 1/64 ± 0°30'	PROJ. ENG. J. J.	DATE 7-24-70	SIZE CODE NUMBER REV <b>D BS RP15-0-23</b>	
FINAL SURFACE QUALITY REMOVE BURRS AND BREAK SHARP CORNERS	PROJ. J. J.	DATE 7-24-70		
MATERIAL	NEXT HIGHER ASSY		SCALE OF 1	
+	A-ML-RP15-0			
FINISH	SHEET 1 OF 1		DIST.	
+				

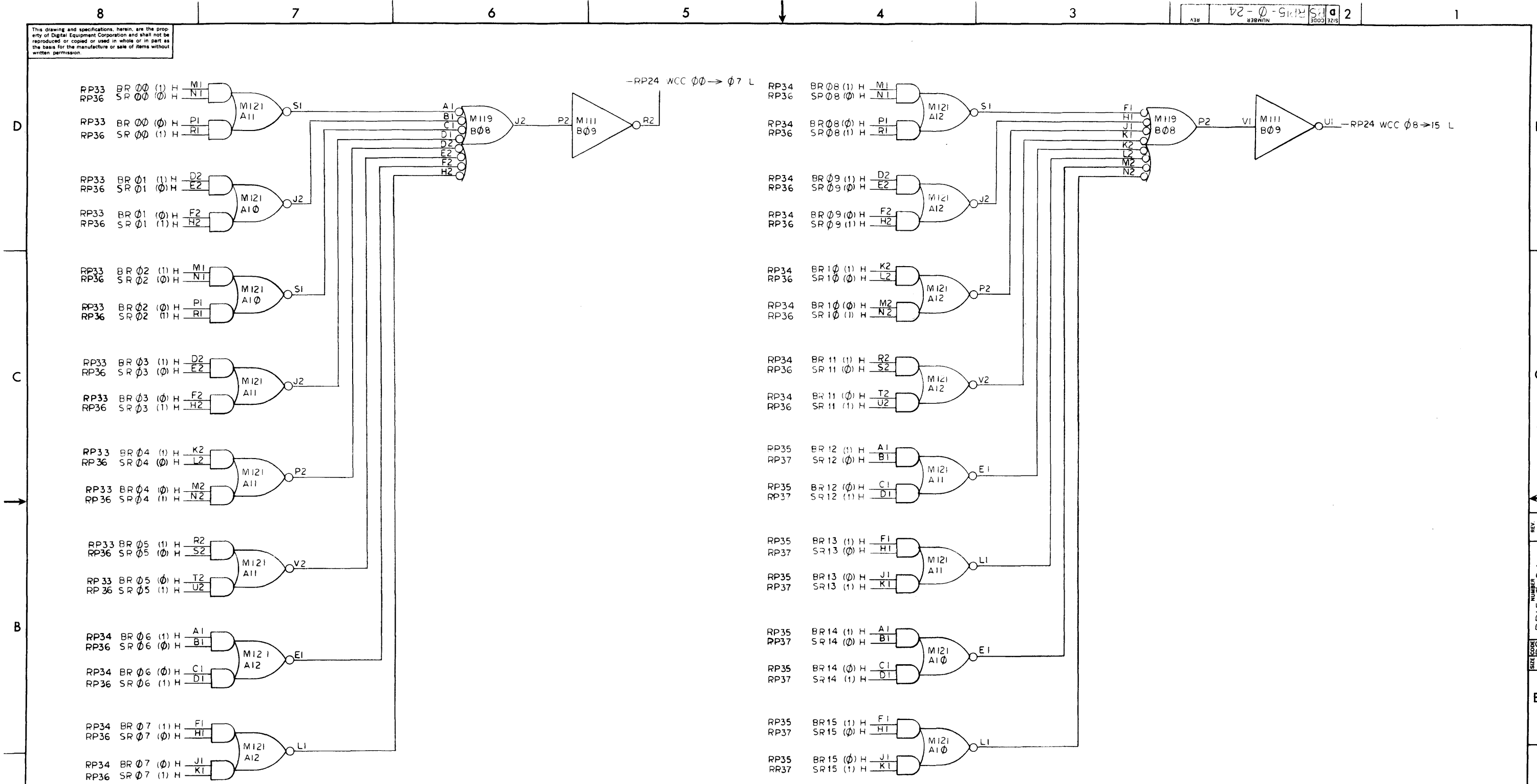
REV. 22-0-23

B

A



This drawing and specifications herein are the property of Digital Equipment Corporation and shall not be reproduced or copied or used in whole or in part as the basis for the manufacture or sale of items without written permission.



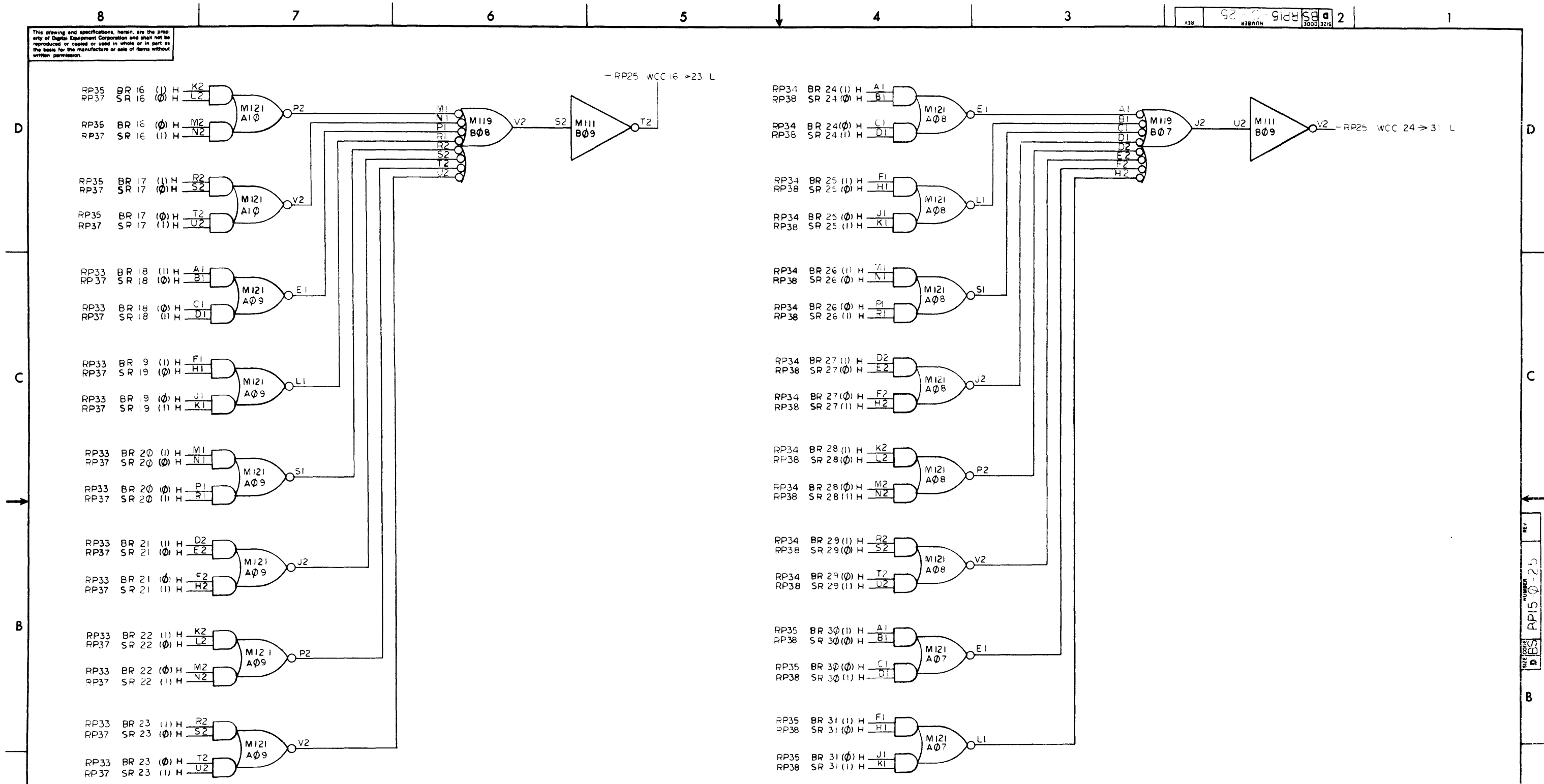
REV	
CHG	
CH	

DEC FORM NO. DRD 102 A

FIRST USED ON OPTION / MODEL PDP15		QTY.	DESCRIPTION	PART NO.	ITEM NO.
UNLESS OTHERWISE SPECIFIED		PARTS LIST			
UNLESS OTHERWISE SPECIFIED		DRN: <i>W. Hagen</i>	DATE: <i>4/2/70</i>	DIGITAL EQUIPMENT CORPORATION MAYNARD, MASSACHUSETTS	
DIMENSION IN INCHES		CHK'D: <i>A. Reiss</i>	DATE: <i>7-27-70</i>		
TOLERANCES		ENG: <i>2/2</i>	DATE: <i>7-24-70</i>	TITLE WRITE CHECK COMPARATOR 00 - 15	
DECIMALS = .005 FRACTIONS = 1/64 ANGLES = 0°30' FINAL SURFACE QUALITY REMOVE BURRS AND BREAK SHARP CORNERS		PROJ. ENG: <i>2/2</i>	DATE: <i>7-24-70</i>		
MATERIAL		PROD: <i>2/2</i>	DATE: <i>7-1-70</i>	NEXT HIGHER ASSY	
FINISH		SCALE: <i>1:1</i>		A - ML-RP15-0	
		SHEET 1 OF 1		SIZE CODE	NUMBER
				DBS	RP15-0-24
				DIST.	REV.

REV. 2  
 NUMBER RP15-0-24  
 SIZE CODE DBS

This drawing and specifications herein are the property of Digital Equipment Corporation and shall not be reproduced or copied or used in whole or in part as the basis for the manufacture or sale of items without written permission.



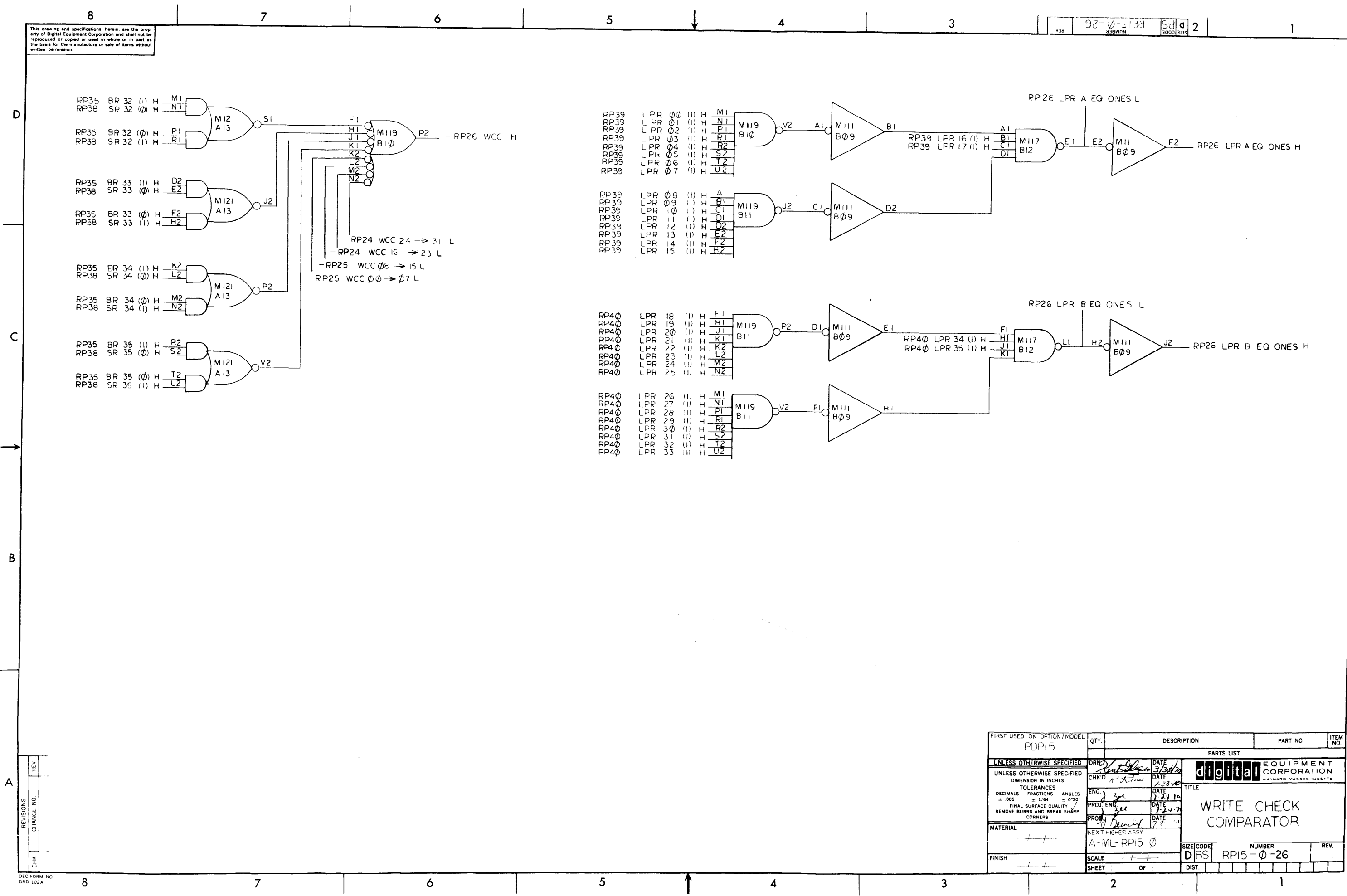
REV.	
CHANGE NO.	
CHK	

FIRST USED ON OPTION/MODEL PDP15	QTY.	DESCRIPTION	PART NO.	ITEM NO.
PARTS LIST				
UNLESS OTHERWISE SPECIFIED	DRN. <i>Antallem</i>	DATE <i>9-1-70</i>	digital EQUIPMENT CORPORATION MAYNARD, MASSACHUSETTS	
UNLESS OTHERWISE SPECIFIED	CHK'D <i>Antallem</i>	DATE <i>7-23-70</i>	TITLE WRITE CHECK COMPARATOR 16-31	
DIMENSION IN INCHES	ENG. <i>gze</i>	DATE <i>7-24-70</i>	SCALE <i>1-1</i>	
TOLERANCES	PROJ. ENG. <i>gze</i>	DATE <i>7-24-70</i>	SHEET <i>1</i> OF <i>1</i>	
DECIMALS FRACTIONS ANGLES	PROD. <i>Benney</i>	DATE <i>7-24-70</i>	DIST.	
± .005 ± 1/64 ± 0°30'	NEXT HIGHER ASSY A - ML-RP15-0			
FINAL SURFACE QUALITY REMOVE BURRS AND BREAK SHARP CORNERS	SIZE CODE NUMBER DBS RPI5-0-25			
MATERIAL ++	REV.			
FINISH ++	REV.			

REV. NUMBER SIZE CODE DBS RPI5-0-25

This drawing and specifications herein are the property of Digital Equipment Corporation and shall not be reproduced or copied or used in whole or in part as the basis for the manufacture or sale of items without written permission.

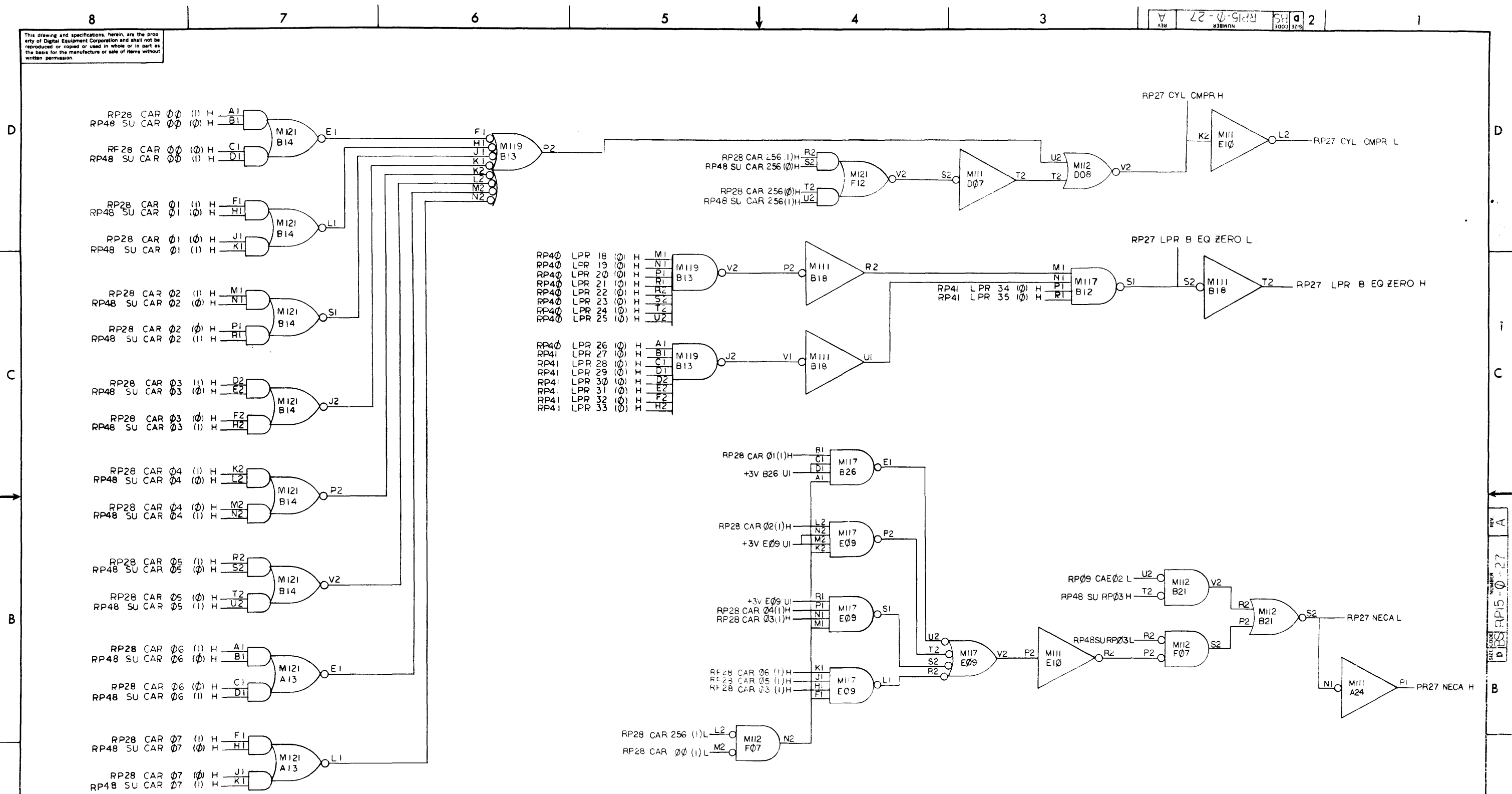
REV 92-0-134 SUB 2



REV	
CHANGE NO.	
CHK	

FIRST USED ON OPTION/MODEL PDP15	QTY.	DESCRIPTION	PART NO.	ITEM NO.
PARTS LIST				
UNLESS OTHERWISE SPECIFIED DIMENSION IN INCHES TOLERANCES DECIMALS FRACTIONS ANGLES = .005 ± 1/64 = 0°30'	DRN CHK'D ENG PROJ PROJ	DATE DATE DATE DATE DATE	digital EQUIPMENT CORPORATION WAYNARD MASSACHUSETTS	
MATERIAL FINISH	NEXT HIGHER ASSY A-ML-RP15 0		TITLE WRITE CHECK COMPARATOR	
	SCALE	OF	SIZE CODE D BS	NUMBER RP15-0-26
	SHEET	OF	DIST.	REV.

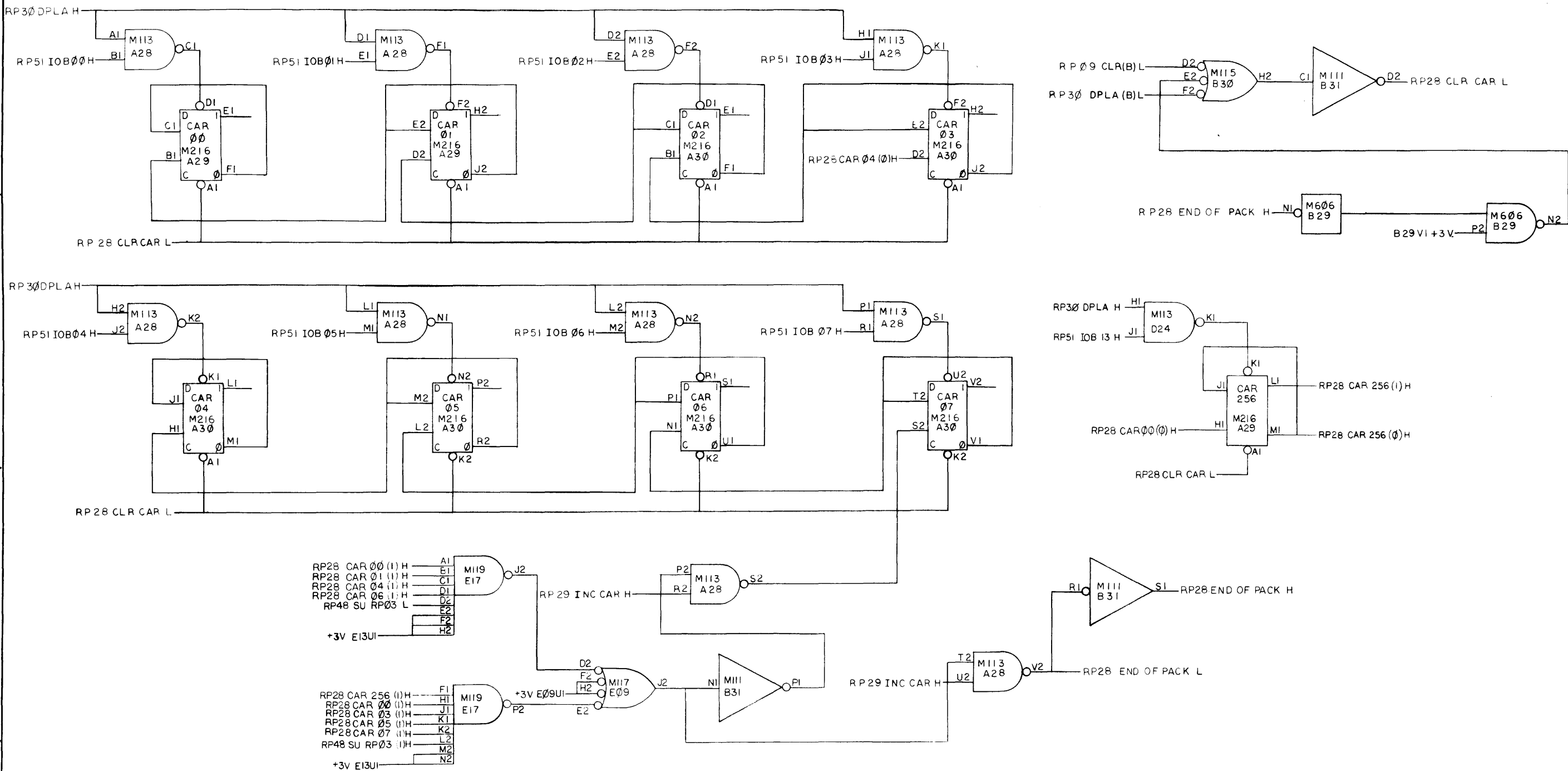
This drawing and specifications, herein, are the property of Digital Equipment Corporation and shall not be reproduced or copied or used in whole or in part as the basis for the manufacture or sale of items without written permission.



REVISIONS	CHANGE NO.	REV.
CHK	RP15-00018	A
F. DOLL		

FIRST USED ON OPTION/MODEL RP15	QTY.	DESCRIPTION	PART NO.	ITEM NO.
UNLESS OTHERWISE SPECIFIED DIMENSION IN INCHES	DRN	DATE	PARTS LIST	
TOLERANCES	CHK'D	DATE	digital EQUIPMENT CORPORATION MAYNARD, MASSACHUSETTS	
DECIMALS FRACTIONS ANGLES	ENG	DATE	TITLE	
= .005 = 1/64 = 0°30'	PROJ. ENG.	DATE	CYLINDER COMPARATOR	
FINAL SURFACE QUALITY REMOVE BURRS AND BREAK SHARP CORNERS	PROD.	DATE	SIZE CODE NUMBER REV.	
MATERIAL	NEXT HIGHER ASSY		A-ML-RP15-0	DBS RP15-0-27 A
FINISH	SCALE	SHEET	DIST.	

This drawing and specifications herein are the property of Digital Equipment Corporation and shall not be reproduced or copied or used in whole or in part as the basis for the manufacture or sale of items without written permission.



REV	CHANGE NO.	DATE
A	00018	7-13-70
B	00019	9-13-70
C	00020	11-13-70
D	00021	1-13-71

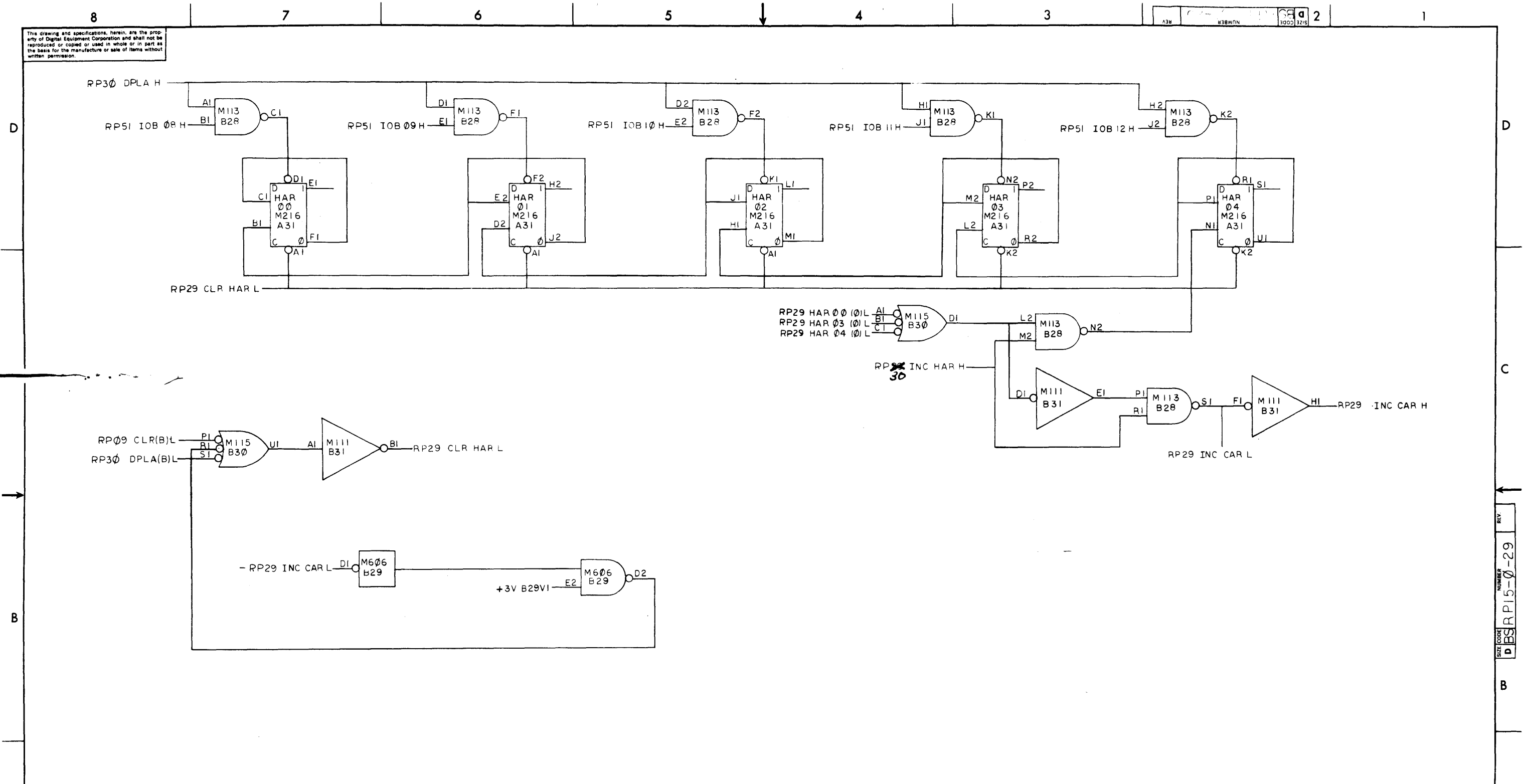
DEC FORM NO. DRD 102A

FIRST USED ON OPTION/MODEL	QTY.	DESCRIPTION	PART NO.	ITEM NO.
PDP 15				
UNLESS OTHERWISE SPECIFIED		PARTS LIST		
UNLESS OTHERWISE SPECIFIED		digital EQUIPMENT CORPORATION		
DIMENSION IN INCHES		MAYNARD, MASSACHUSETTS		
TOLERANCES		TITLE		
DECIMALS	FRACTIONS	ANGLES	CYLINDER ADDRESS REGISTER	
= .005	= 1/64	= 0°30'		
FINAL SURFACE QUALITY		NEXT HIGHER ASSY.		
REMOVE BURRS AND BREAK SHARP CORNERS		A-ML-RP15-0		
MATERIAL		SCALE	SIZE CODE	NUMBER
			D B S R P 15 - 0 - 28	REV. A
FINISH		SHEET	DIST.	
		1 OF 1		

REV. A  
NUMBER  
D B S R P 15 - 0 - 28  
SIZE CODE

This drawing and specifications, herein, are the property of Digital Equipment Corporation and shall not be reproduced or copied or used in whole or in part as the basis for the manufacture or sale of items without written permission.

SIZE CODE NUMBER REV  
**D** BS R P 15 - 0 - 29 2



REV	CHANGE NO

DEC FORM NO  
 DRD 102A

FIRST USED ON OPTION MODEL PDP 15	QTY.	DESCRIPTION	PART NO.	ITEM NO.
PARTS LIST				
UNLESS OTHERWISE SPECIFIED DIMENSION IN INCHES	DRN <i>Tom Lewis</i>	DATE 3-25-70	<b>digital</b> EQUIPMENT CORPORATION MAYNARD MASSACHUSETTS	
UNLESS OTHERWISE SPECIFIED TOLERANCES	CHK'D. <i>K. Russ</i>	DATE 7-23-70		
DECIMALS ± .005	ENG. <i>J. ...</i>	DATE 7-24-70	TITLE <b>HEAD ADDRESS REGISTER</b>	
FRACTIONS ± 1/64	PROJ. ENG. <i>J. ...</i>	DATE 7-24-70		
ANGLES ± 0°30'	PRG. <i>J. ...</i>	DATE 7-24-70	SIZE CODE NUMBER REV <b>D</b> BS R P 15 - 0 - 29	
FINAL SURFACE QUALITY REMOVE BURRS AND BREAK SHARP CORNERS	MATERIAL + - -	SCALE + - -		
FINISH + - -	NEXT HIGHER ASSY. Δ-ML-RP15-0	SHEET / OF /	DIST.	

REV  
 NUMBER  
**D** BS R P 15 - 0 - 29

A

8

7

6

5

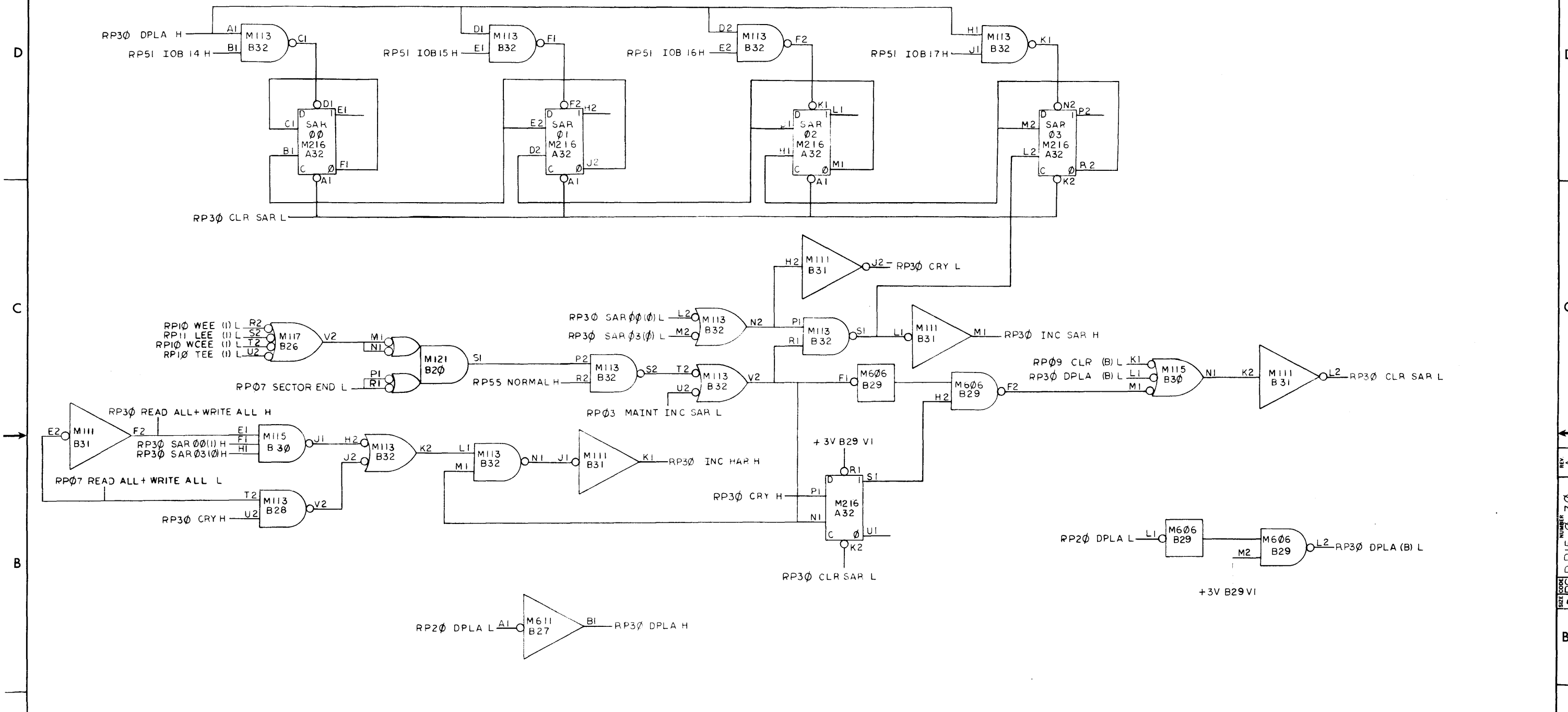
4

3

1

REV 2  
SIZE CODE  
NUMBER  
A3B  
1000 1215

This drawing and specifications herein are the property of Digital Equipment Corporation and shall not be reproduced or copied or used in whole or in part as the base for the manufacture or sale of items without written permission.



CHK	REV	DATE
1	1	8-1-72
2	1	8-1-72
3	1	8-1-72
4	1	8-1-72
5	1	8-1-72
6	1	8-1-72
7	1	8-1-72
8	1	8-1-72
9	1	8-1-72
10	1	8-1-72

FIRST USED ON OPTION MODEL	QTY.	DESCRIPTION	PART NO.	ITEM NO.
PDP 15				
UNLESS OTHERWISE SPECIFIED				
DRN		DATE	PARTS LIST	
CHK'D		DATE	<b>digital</b> EQUIPMENT CORPORATION MAYNARD, MASSACHUSETTS	
ENG	DATE	TITLE		
PROJ. ENG	DATE	SECTOR ADDRESS REGISTER		
PROD	DATE	MATERIAL		
		NEXT HIGHER ASSY.		
		A-ML-RP15-0		
		SCALE	NUMBER	REV.
		SHEET	D BSRP15-0-30	A
			DIST.	

DEC FORM NO. DND 1024

8

7

6

5

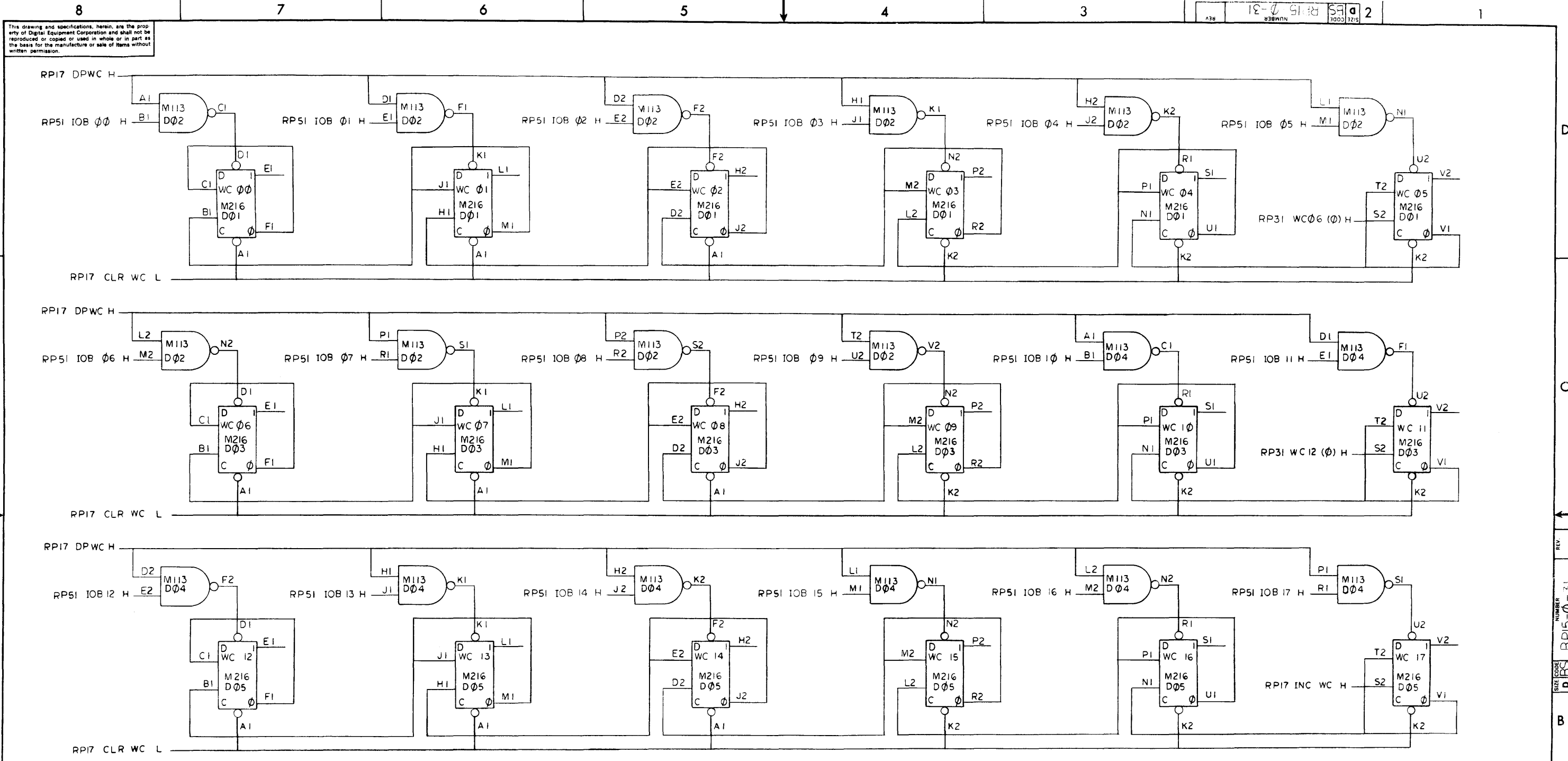
4

3

2

1

REV A  
NUMBER  
B S R P 1 5 - 0 - 3 0  
SIZE CODE



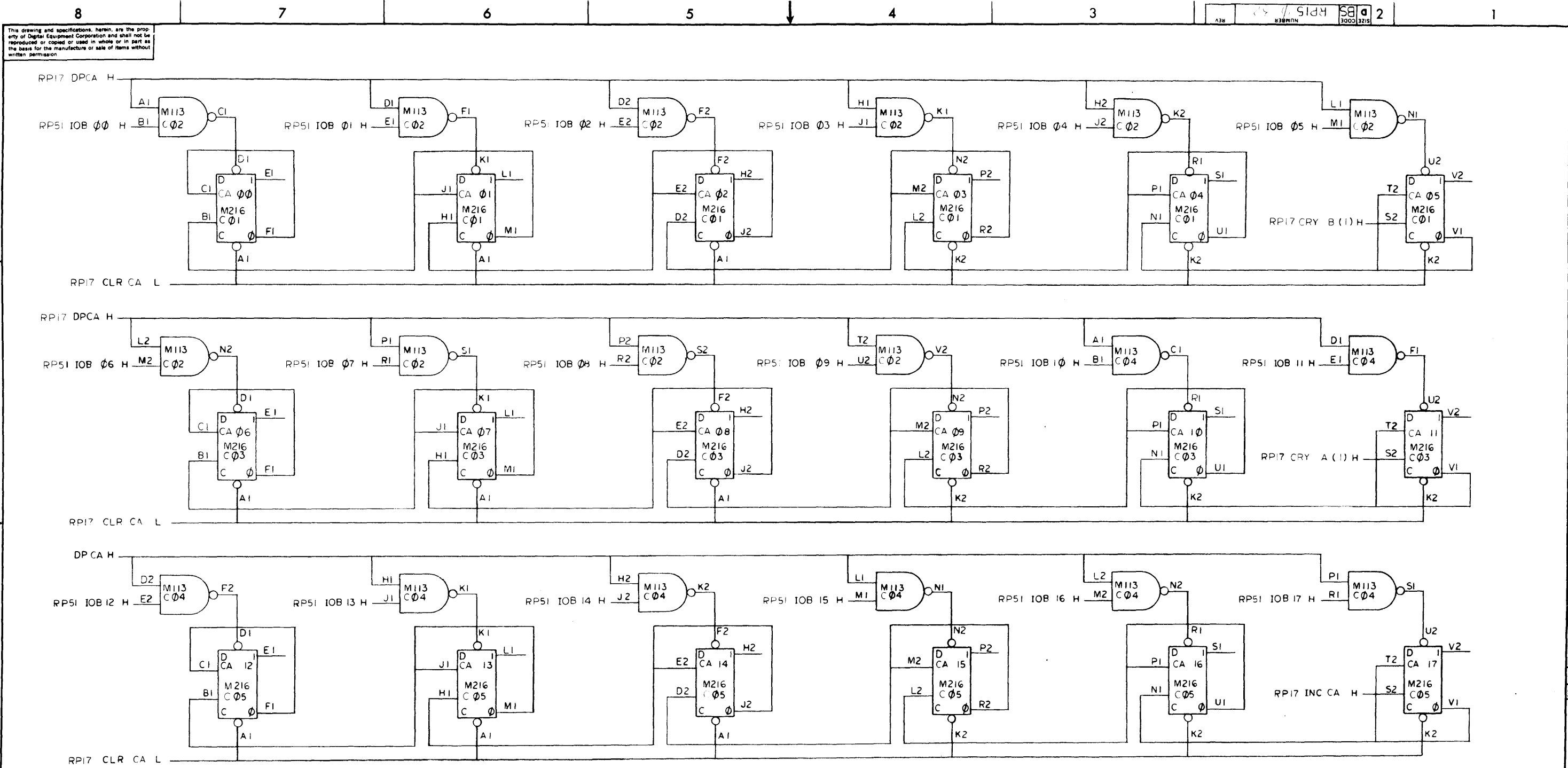
REV	CHANGE NO	DATE

DEC FORM NO DRD 102A

FIRST USED ON OPTION/MODEL	QTY	DESCRIPTION	PART NO	ITEM NO.
PDP15				
PARTS LIST				
UNLESS OTHERWISE SPECIFIED	DRW: <i>[Signature]</i>	DATE: 1/3/70	 <b>digital</b> EQUIPMENT CORPORATION <small>MAYNARD, MASSACHUSETTS</small>	
UNLESS OTHERWISE SPECIFIED	CHK'D: <i>[Signature]</i>	DATE: 7-23-70		
TOLERANCES	ENG: <i>[Signature]</i>	DATE: 7-24-70		
DECIMALS = 005	PROJ. ENG: <i>[Signature]</i>	DATE: 7-24-70		
FRACTIONS = 1/64	PROD: <i>[Signature]</i>	DATE: 7-24-70	<b>WORD COUNT REGISTER 00-17</b>	
ANGLES = 0°30'				
FINAL SURFACE QUALITY				
REMOVE BURRS AND BREAK SHARP CORNERS				
MATERIAL	NEXT HIGHER ASSY		SIZE CODE	NUMBER
FINISH	A-ML-RP15-0		D ES	RP15-0-31
SCALE	SHEET 1 OF 1		DIST.	

REV. NUMBER RP15-0-31





This drawing and specifications herein are the property of Digital Equipment Corporation and shall not be reproduced or copied in whole or in part as the basis for the manufacture or sale of items without written permission.

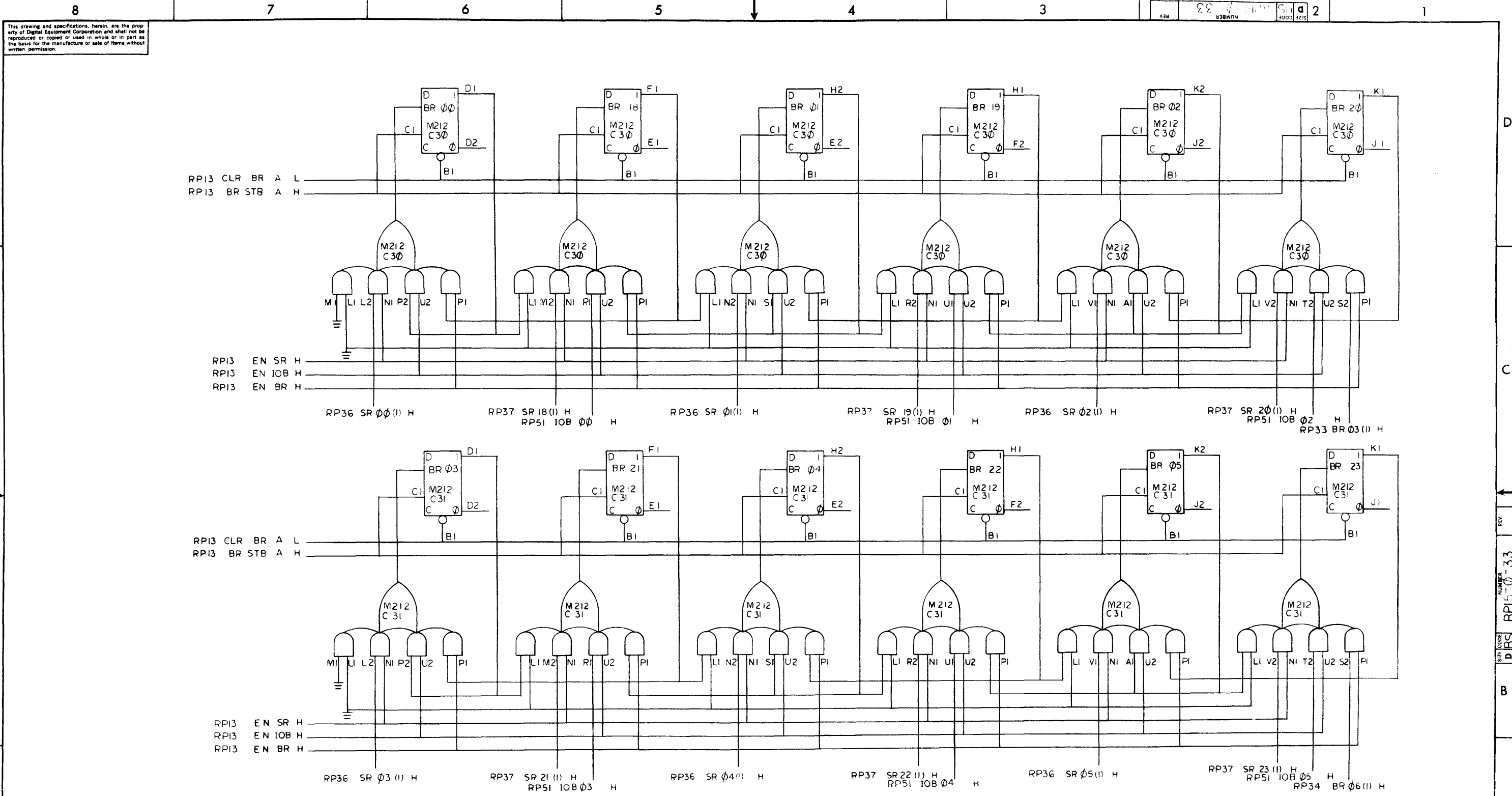
REV	
CHANGE NO	
CHK	

DEC FORM NO. ORD 102A

FIRST USED ON OPTION / MODEL RP15	QTY.	DESCRIPTION	PART NO.	ITEM NO.
PARTS LIST				
UNLESS OTHERWISE SPECIFIED DIMENSION IN INCHES	DRN DATE 1/13/70	DATE 1/13/70	<b>digital</b> EQUIPMENT CORPORATION MAYNARD, MASSACHUSETTS	
TOLERANCES DECIMALS = .005 FRACTIONS = 1/64 ANGLES = 0°30'	ENG DATE 1/24/70	DATE 1/24/70		
MATERIAL	PROJ. ENG.	DATE	TITLE <b>CURRENT ADDRESS REGISTER 00-17</b>	
FINISH	PROD.	DATE		
NEXT HIGHER ASSY A VL RP15 0			SIZE CODE D BS	NUMBER RP15-0-32
SCALE			DIST.	REV.

REV. NUMBER RP15-0-32

A

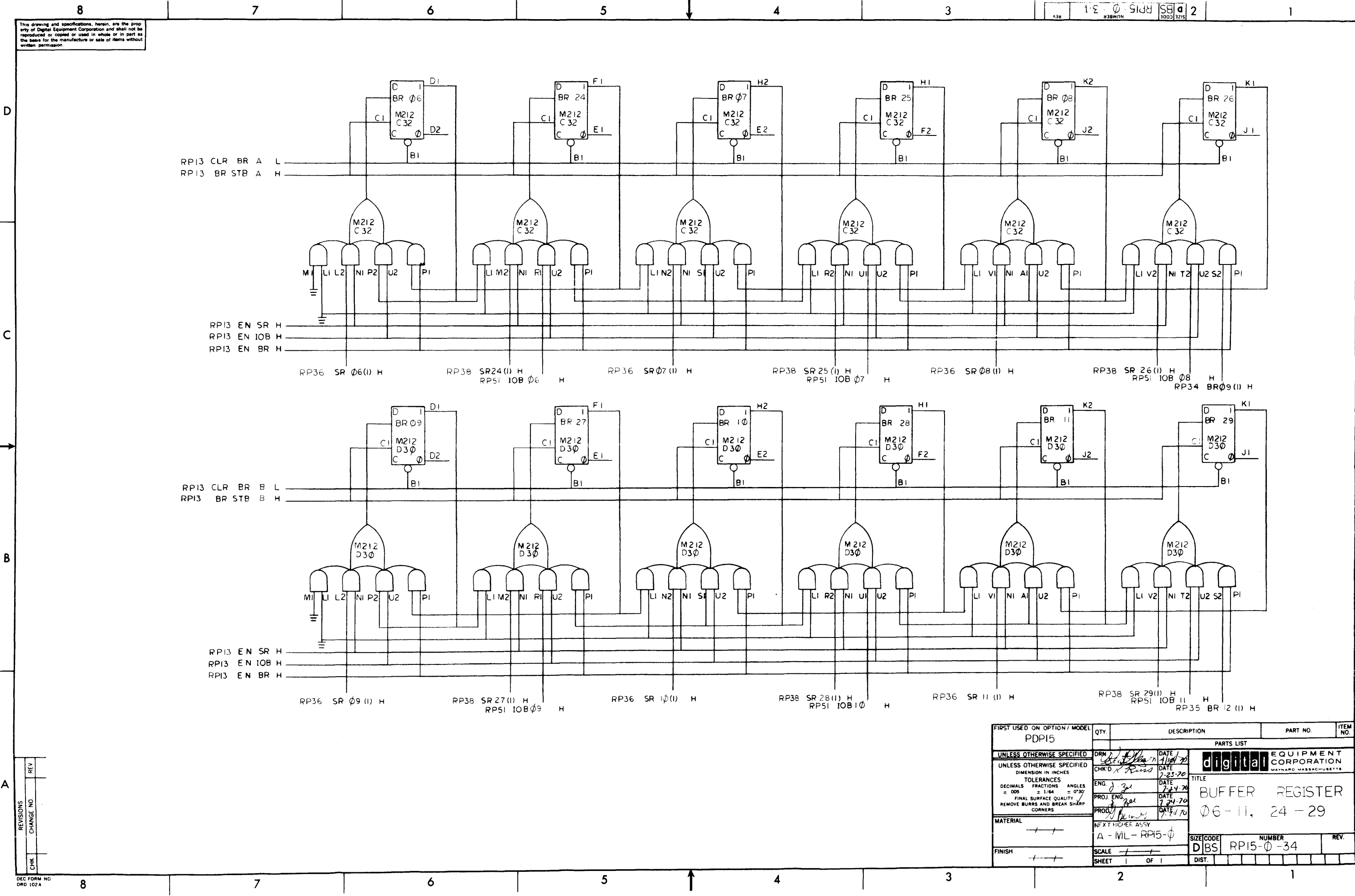


This drawing and specifications, herein, are the property of Digital Equipment Corporation and shall not be reproduced or copied or used in whole or in part as the basis for the manufacture or sale of items without written permission.

REVISIONS	CHANGE NO.	REV.
CHK		

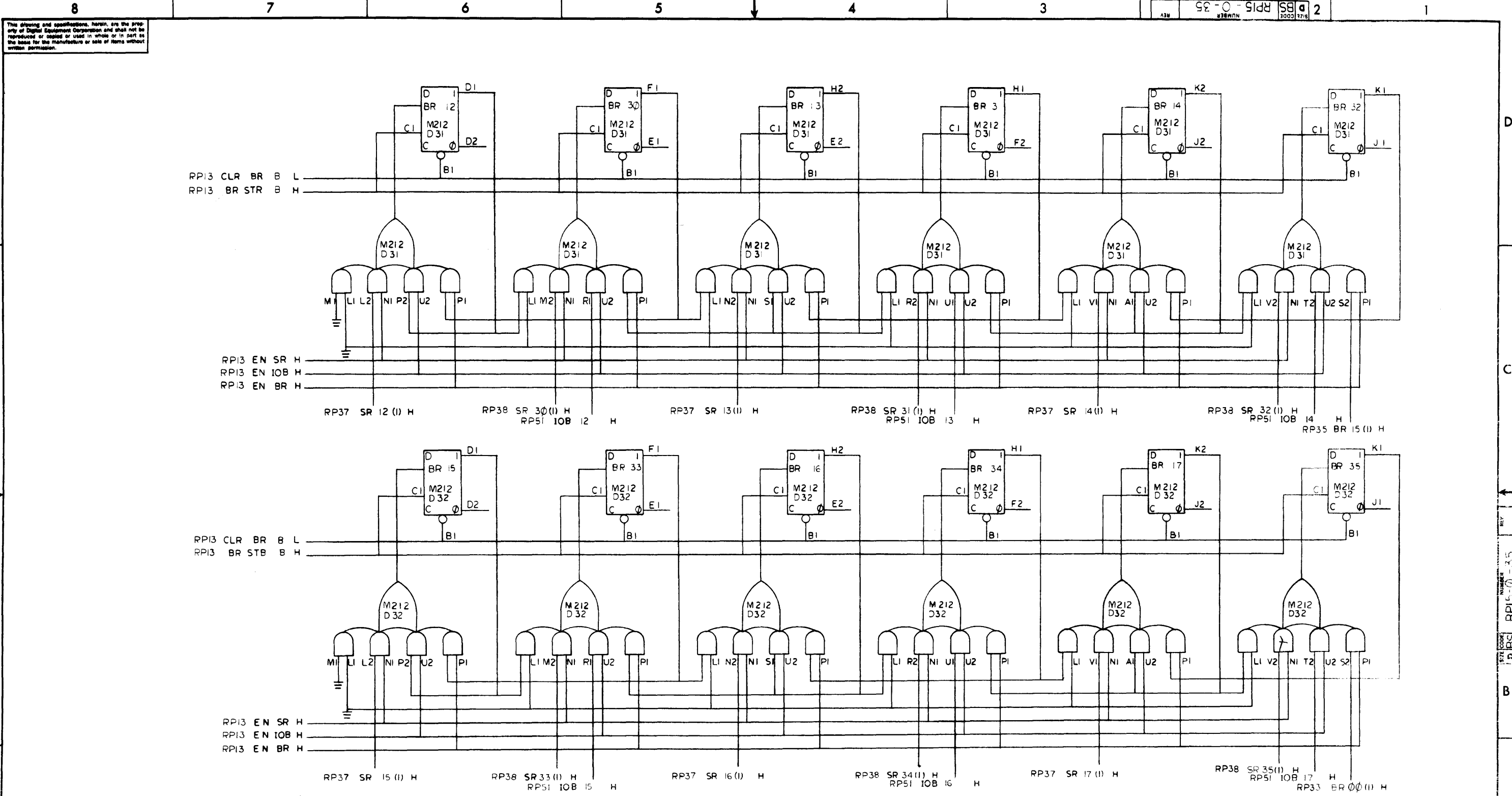
FIRST USED ON OPTION / MODEL PDP15	QTY.	DESCRIPTION	PART NO.	ITEM NO.
PARTS LIST				
UNLESS OTHERWISE SPECIFIED	DRN 7	DATE 1/10/70	<b>digital</b> EQUIPMENT CORPORATION MAYNARD, MASSACHUSETTS	
UNLESS OTHERWISE SPECIFIED	CHK'D. <i>Rain</i>	DATE 7-23-70		
DIMENSION IN INCHES	ENG. <i>J. 3'</i>	DATE 7-24-70		
TOLERANCES DECIMALS FRACTIONS ANGLES ± .005 ± 1/64 ± 0°30'	PROJ. ENG. <i>J. 3'</i>	DATE 7-24-70		
FINAL SURFACE QUALITY REMOVE BURRS AND BREAK SHARP CORNERS	PROD. <i>B. 3'</i>	DATE 7-27-70	TITLE BUFFER REGISTER 00-05, 18-23	
MATERIAL	NEXT HIGHER ASSY Δ - ML - RP15-0		SIZE CODE D BS	NUMBER RP15-0-33
FINISH	SCALE	SHEET 1 OF 1	DIST.	REV.

This drawing and specifications, herein, are the property of Digital Equipment Corporation and shall not be reproduced or copied or used in whole or in part as the basis for the manufacture or sale of items without written permission.



REV	
CHANGE NO.	
CHK	

FIRST USED ON OPTION / MODEL PDP15	QTY.	DESCRIPTION	PART NO.	ITEM NO.
UNLESS OTHERWISE SPECIFIED DIMENSION IN INCHES	DRM	DATE	PARTS LIST	
TOLERANCES	CHK'D	DATE	digital EQUIPMENT CORPORATION MAYNARD, MASSACHUSETTS	
DECIMALS = .005	ENG	DATE	TITLE	
FRACTIONS = 1/64	PROJ. ENG.	DATE	BUFFER REGISTER	
ANGLES = 0°30'	PROD.	DATE	06-11, 24-29	
FINAL SURFACE QUALITY REMOVE BURRS AND BREAK SHARP CORNERS	MATERIAL	DATE	SIZE CODE	
	NEXT HIGHER ASSY		D BS RP15-0-34	
	A - MIL - RP15-0		NUMBER	
	FINISH	SCALE	REV.	
	++	1 OF 1	DIST.	
		SHEET		

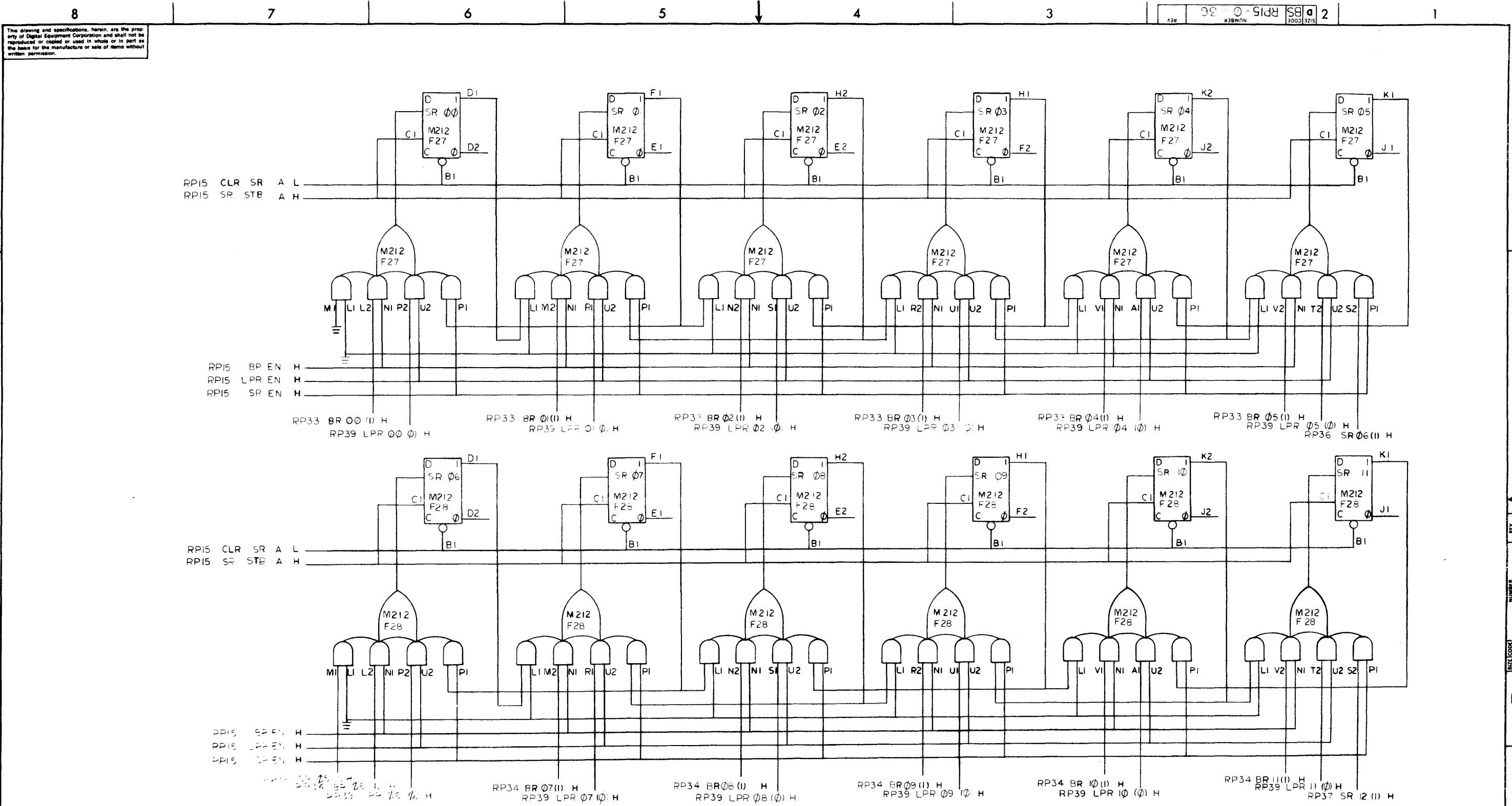


This drawing and specifications, herein, are the property of Digital Equipment Corporation and shall not be reproduced or copied or used in whole or in part as the basis for the manufacture or sale of items without written permission.

REV	
CHG	
NO.	

FIRST USED ON OPTION / MODEL PDP15	QTY	DESCRIPTION	PART NO.	ITEM NO.
UNLESS OTHERWISE SPECIFIED	DRN	DATE	PARTS LIST	
UNLESS OTHERWISE SPECIFIED	CHK'D	DATE	digital EQUIPMENT CORPORATION MAYNARD, MASSACHUSETTS	
DIMENSION IN INCHES	ENG	DATE	TITLE	
TOLERANCES	PROJ. ENG	DATE	BUFFER REGISTER	
DECIMALS FRACTIONS ANGLES	PROD'G	DATE	12 7. 30 -35	
± .005 ± 1/64 ± 0°30'	NEXT HIGHER ASSY		SIZE/CODE	NUMBER
FINAL SURFACE QUALITY	A - MIL - RP15-0		DBS	RP15-0-35
REMOVE BURRS AND BREAK SHARP CORNERS	SCALE		DIST.	REV.
MATERIAL	SHEET	OF 1		
FINISH				

The drawing and specifications herein are the property of Digital Equipment Corporation and shall not be reproduced or copied or used in whole or in part as the basis for the manufacture or sale of items without written permission.



REV	
CHANGE NO	
CHK	

DEC FORM NO. DRD 102A

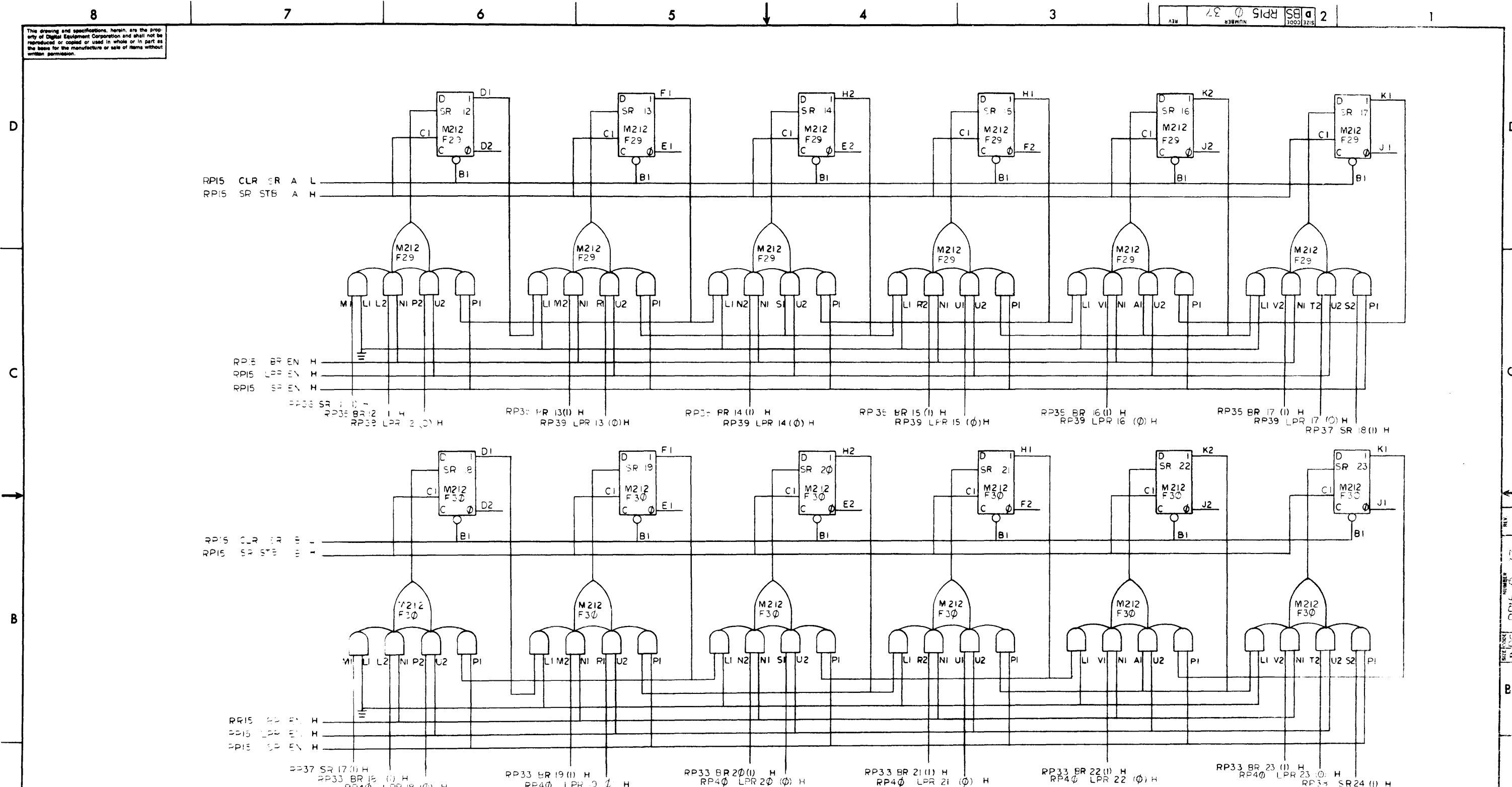
FIRST USED ON OPTION / MODEL PDP15	QTY.	DESCRIPTION	PART NO.	ITEM NO.
UNLESS OTHERWISE SPECIFIED DIMENSION IN INCHES	DRW. <i>[Signature]</i> DATE 7/24/70	PARTS LIST		
TOLERANCES DECIMALS FRACTIONS ANGLES = .005 = 1/64 = 0°30'	CHK'D. <i>[Signature]</i> DATE 7/23/70	digital EQUIPMENT CORPORATION MAYNARD, MASSACHUSETTS		
FINAL SURFACE QUALITY REMOVE BURRS AND BREAK SHARP CORNERS	ENG. <i>[Signature]</i> DATE 7/24/70	TITLE SHIFT REGISTER 00-11		
MATERIAL ++	PROJ. ENG. <i>[Signature]</i> DATE 7/24/70	NEXT HIGHER ASSY A - ML - RP15-0		
FINISH ++	PROD. <i>[Signature]</i> DATE 7/24/70	SCALE SHEET 1 OF 1		
		SIZE CODE D BS	NUMBER RP15-0-36	REV.

REV. NO. RP15-0-36

A

This drawing and specifications, herein, are the property of Digital Equipment Corporation and shall not be reproduced or copied or used in whole or in part as the basis for the manufacture or sale of items without written permission.

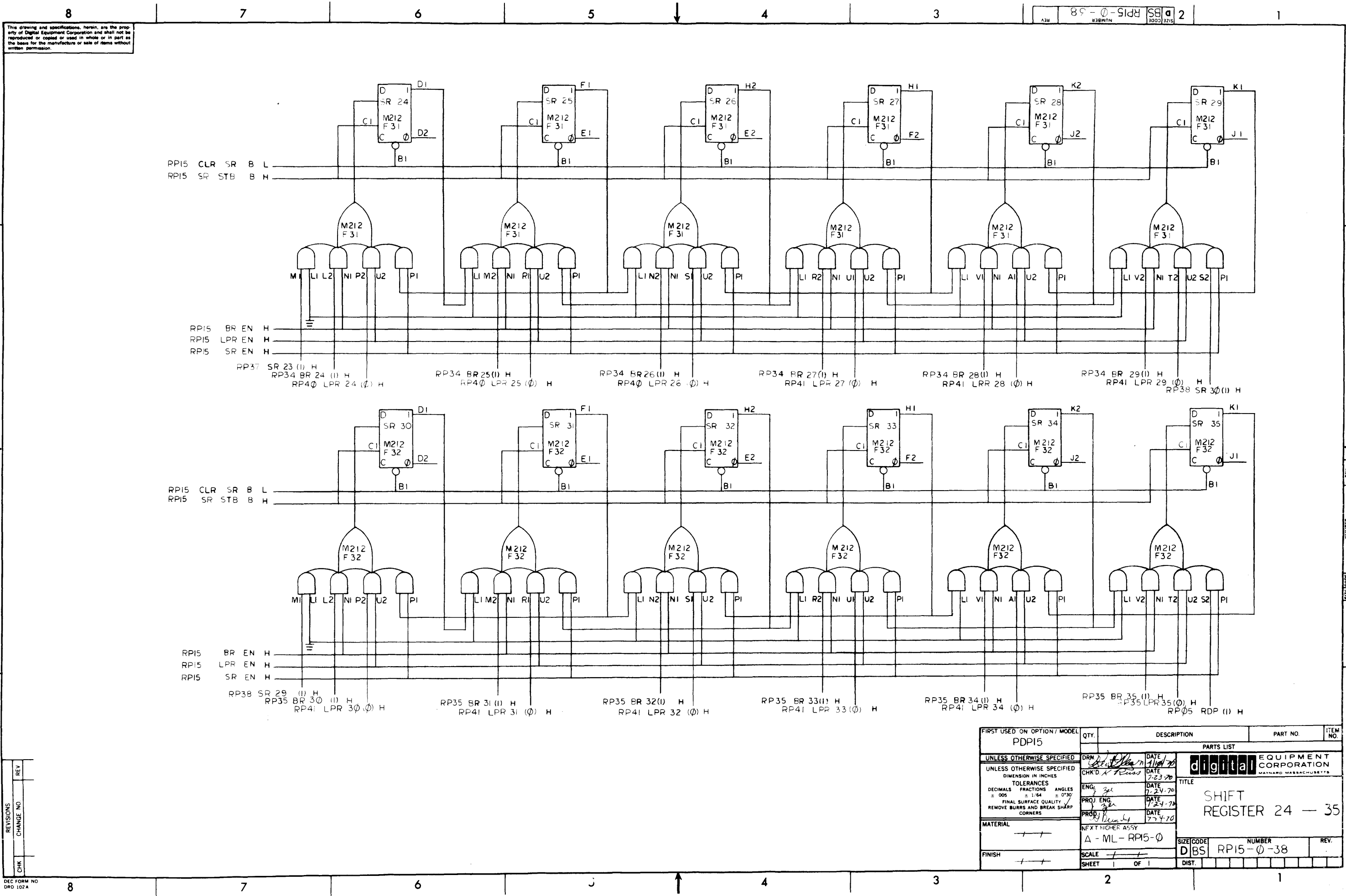
REV 37  
 NUMBER  
 RP15  
 CODE  
 DRS



REV	
CHANGE NO	
CHK	

FIRST USED ON OPTION / MODEL	QTY.	DESCRIPTION	PART NO.	ITEM NO.
PDP15				
PARTS LIST				
digital EQUIPMENT CORPORATION MAYNARD, MASSACHUSETTS				
TITLE SHIFT REGISTER 12 - 23				
SIZE/CODE D/RS RP15-0-37				
REV.				

This drawing and specifications, herein, are the property of Digital Equipment Corporation and shall not be reproduced or copied or used in whole or in part as the basis for the manufacture or sale of items without written permission.



REV	CHANGE NO

DEC FORM NO DRD 102 A

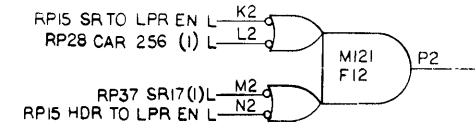
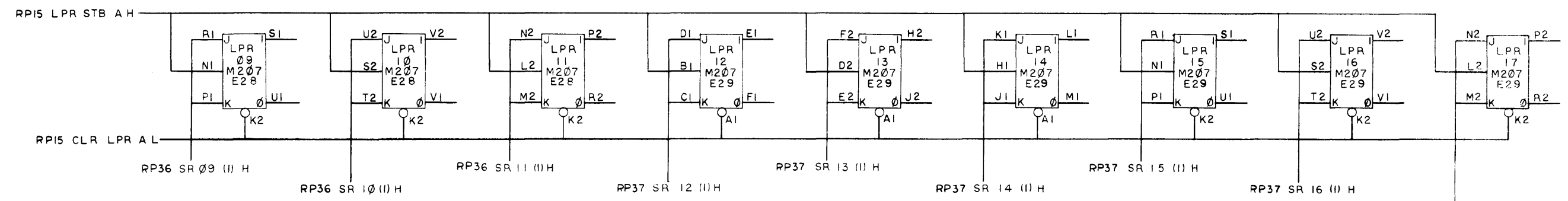
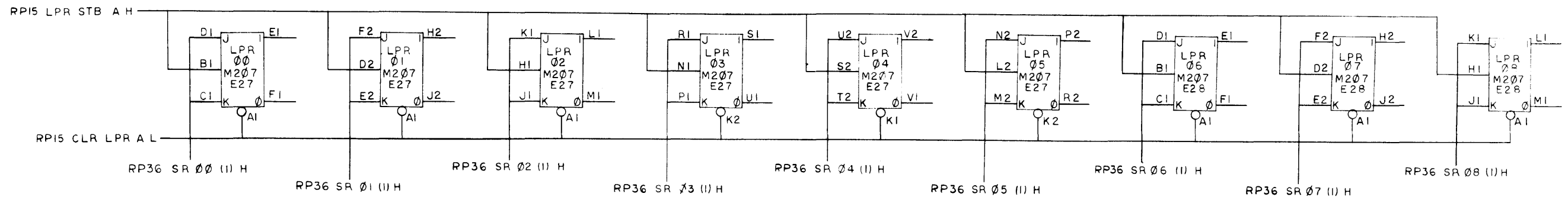
FIRST USED ON OPTION / MODEL	QTY.	DESCRIPTION	PART NO.	ITEM NO.
PDP15				
UNLESS OTHERWISE SPECIFIED	DRM	DATE	PARTS LIST	
UNLESS OTHERWISE SPECIFIED	CHKD. <i>X</i>	DATE	digital EQUIPMENT CORPORATION MAYNARD, MASSACHUSETTS	
TOLERANCES	ENG. <i>Zel</i>	DATE	TITLE	
DECIMALS FRACTIONS ANGLES		DATE	SHIFT REGISTER 24 - 35	
= .005 = 1/64 = 0°30'	PROJ. ENG. <i>Zel</i>	DATE	SIZE CODE	NUMBER
FINAL SURFACE QUALITY	PROD. <i>Zel</i>	DATE	DBS	RP15-0-38
REMOVE BURRS AND BREAK SHARP CORNERS		DATE	DIST.	REV.
MATERIAL	NEXT HIGHER ASSY.			
FINISH	A - ML - RP15-0			
SCALE				
SHEET	OF 1			

REV. NUMBER RP15-0-38

A

This drawing and specifications, herein, are the property of Digital Equipment Corporation and shall not be reproduced or copied or used in whole or in part as the basis for the manufacture or sale of items without written permission.

REV. 2



REV	CHANGE NO	BY	DATE
A	RP15-00018	F. DOLL	8-14-74

DEC FORM NO DRD 102A

FIRST USED ON OPTION/MODEL PDP 15	QTY.	DESCRIPTION	PART NO	ITEM NO.
PARTS LIST				
UNLESS OTHERWISE SPECIFIED	DRN	DATE	digital EQUIPMENT CORPORATION MAYNARD, MASSACHUSETTS	
UNLESS OTHERWISE SPECIFIED	CHK'D	DATE	TITLE	
DIMENSION IN INCHES	ENG	DATE	LONGITUDINAL	
TOLERANCES	PROJ. ENG.	DATE	PARITY REG.	
DECIMALS = .005	PROD.	DATE	LPR07-LPR17	
FRACTIONS = 1/64	NEXT HIGHER ASSY.	DATE	SIZE/CODE	NUMBER
ANGLES = 0°30'			DBSR 15-7-39	REV
FINAL SURFACE QUALITY				A
REMOVE BURRS AND BREAK SHARP CORNERS				
MATERIAL	SCALE			
	SHEET	OF		
FINISH				

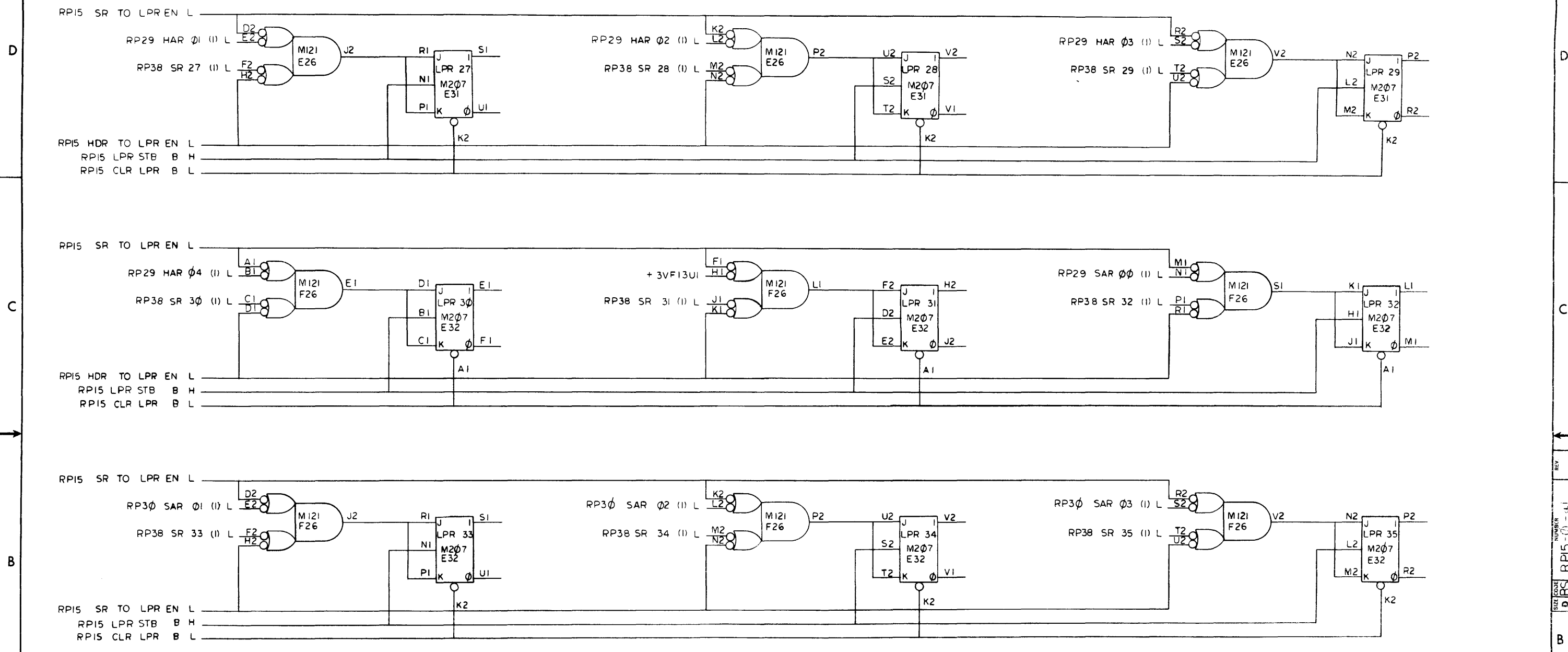
REV. A  
DBS RP15-7-39





This drawing and specifications, herein, are the property of Digital Equipment Corporation and shall not be reproduced or copied or used in whole or in part as the basis for the manufacture or sale of items without written permission.

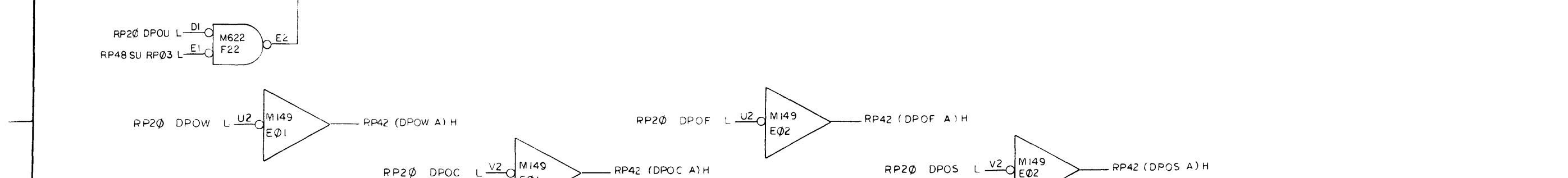
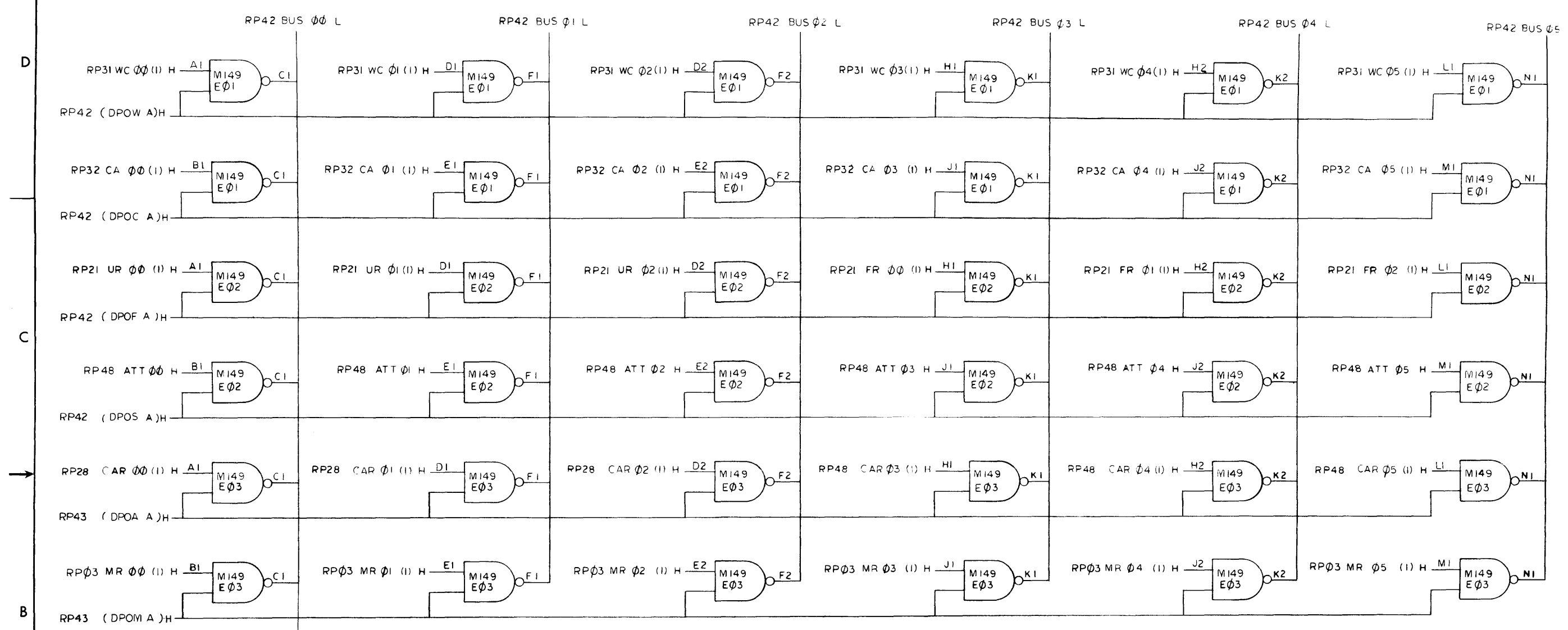
SIZE CODE DBS PART NUMBER RP15-0-41



REV	NO
CHG	NO
CHK	NO

FIRST USED ON OPTION / MODEL PDP15	QTY.	DESCRIPTION	PART NO.	ITEM NO.
PARTS LIST				
UNLESS OTHERWISE SPECIFIED	DRN	DATE	digital EQUIPMENT CORPORATION WAYLAND MASSACHUSETTS	
UNLESS OTHERWISE SPECIFIED	CHK'D.	DATE	TITLE	
DIMENSION IN INCHES			LONGITUDINAL PARITY	
TOLERANCES	ENG	DATE	REG. LPR 27 - LPR 35	
DECIMALS ± .005			SIZE CODE DBS PART NUMBER RP15-0-41	
FRACTIONS ± 1/64	PROJ. ENG	DATE	NUMBER	
ANGLES ± 0°30'	PROB	DATE	REV.	
FINAL SURFACE QUALITY			SHEET 1 OF 1	
REMOVE BURRS AND BREAK SHARP CORNERS			DIST.	
MATERIAL	NEXT HIGHER ASSY			
FINISH	Δ - MIL-RP15-0			

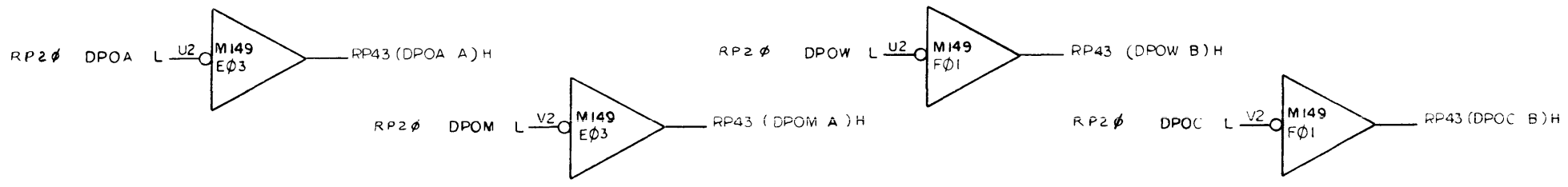
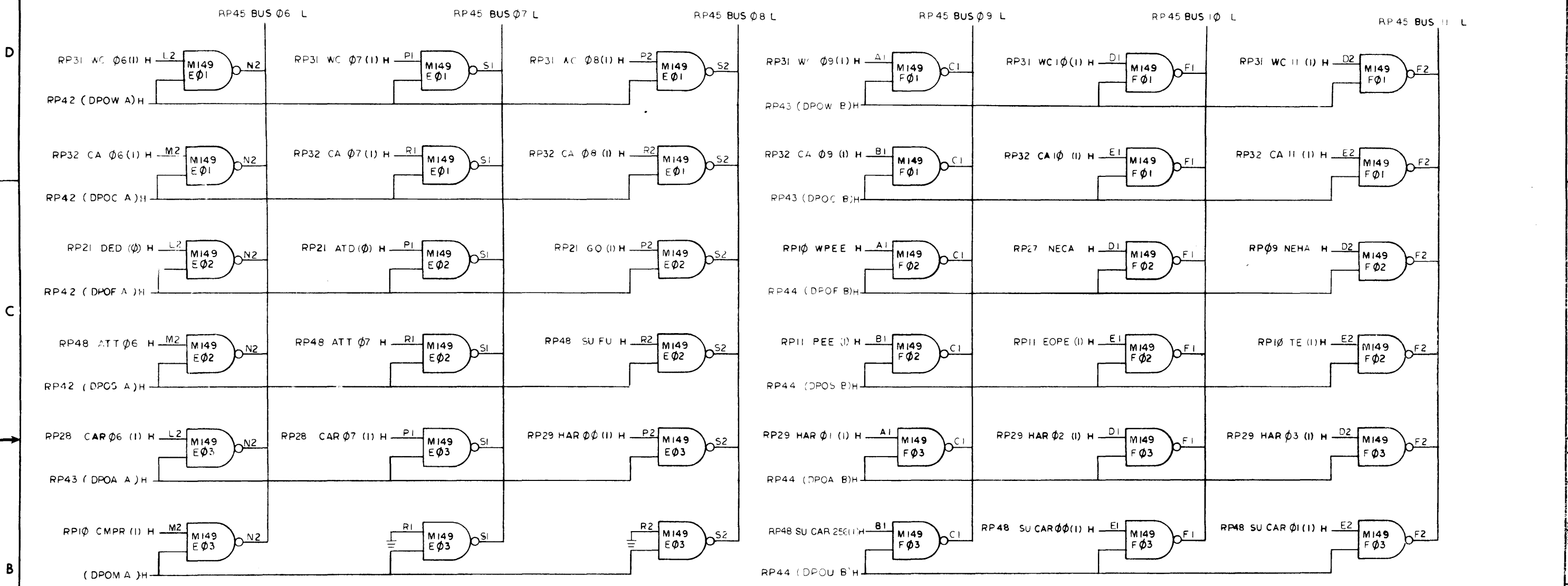
This drawing and specifications, herein, are the property of Digital Equipment Corporation and shall not be reproduced or copied or used in whole or in part as the basis for the manufacture or sale of items without written permission.



REV	CHANGE NO	BY	DATE
1		RP15 COOIB	7-14-70
2		F DOLL	7-23-70

FIRST USED ON OPTION/MODEL	QTY.	DESCRIPTION	PART NO.	ITEM NO.
PDP15				
PARTS LIST				
UNLESS OTHERWISE SPECIFIED	DRN	DATE	<b>digital</b> EQUIPMENT CORPORATION MAYNARD, MASSACHUSETTS TITLE: BUS MULTIPLEXER ΦΦ-Φ5 NUMBER: RP15-Φ-42 REV: A	
UNLESS OTHERWISE SPECIFIED	CHK'D	DATE		
TOLERANCES	ENG	DATE		
DECIMALS FRACTIONS ANGLES	PROJ. ENG.	DATE		
= .005 = 1/64 = 0°30'	PROD.	DATE		
FINAL SURFACE QUALITY REMOVE BURRS AND BREAK SHARP CORNERS				
MATERIAL	NEXT HIERARCHY		SIZE CODE	REV.
FINISH	SCALE		DBS	A
	SHEET OF		DIST.	

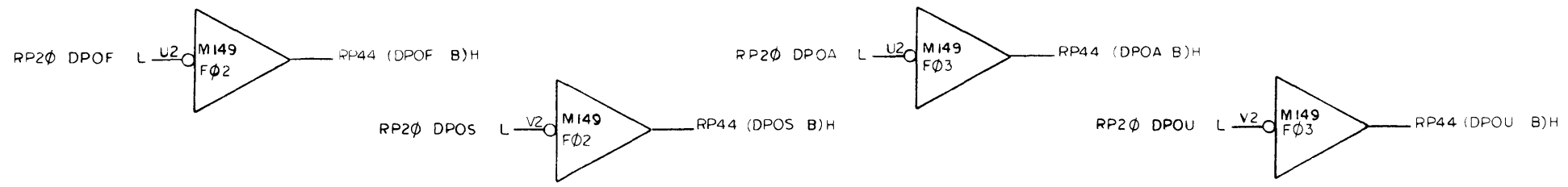
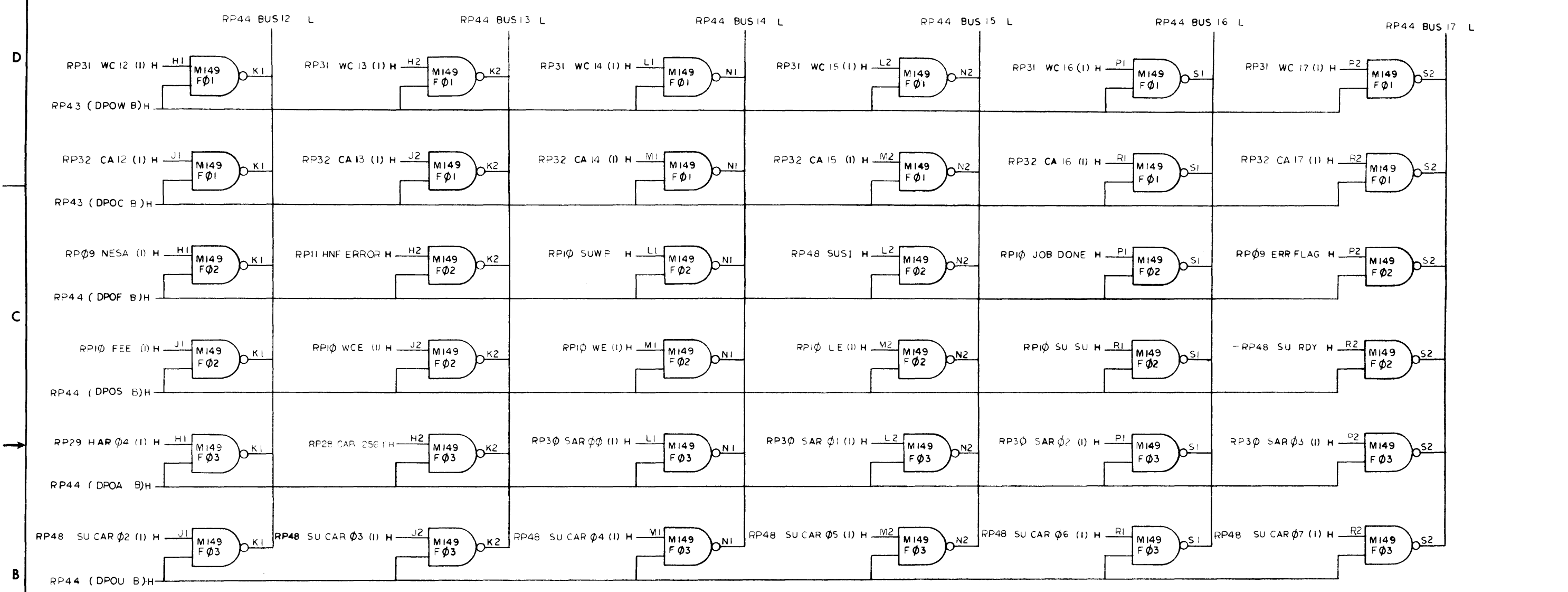
This drawing and specifications, herein, are the property of Digital Equipment Corporation and shall not be reproduced or copied, or used in whole or in part as the basis for the manufacture or sale of items without written permission.



REV.	CHANGE NO.	DATE
A	00007	12-14-70
B	00012	12-14-70
C	00018	8-1-72
D	00020	8-14-74
E	00021	8-16-74

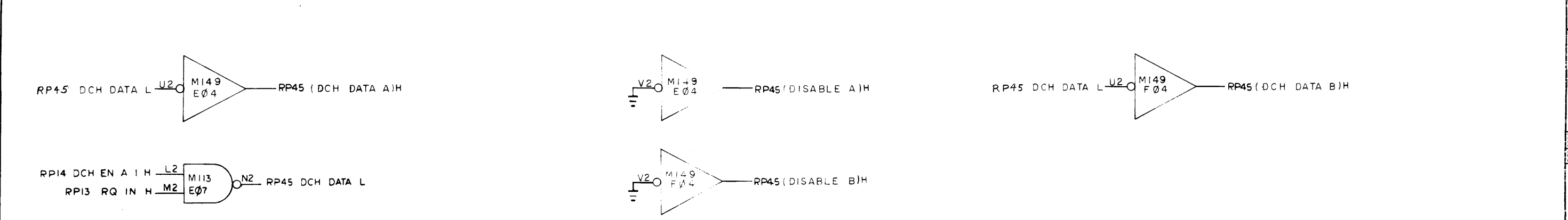
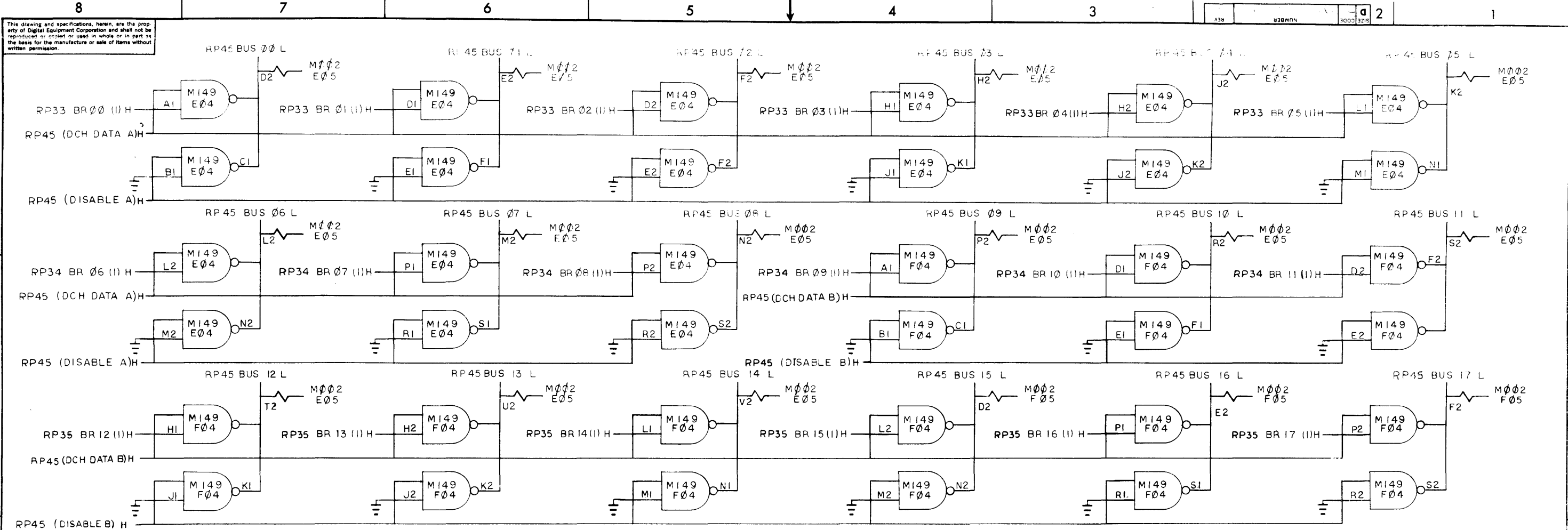
FIRST USED ON OPTION MODEL	QTY.	DESCRIPTION	PART NO.	ITEM NO.
PDP15				
PARTS LIST				
UNLESS OTHERWISE SPECIFIED				
DIMENSION IN INCHES				
TOLERANCES				
DECIMALS	FRACTIONS	ANGLES	DATE	
± .005	± 1/64	± 0°30'	7-24-70	
FINAL SURFACE QUALITY				
REMOVE BURRS AND BREAK SHARP CORNERS				
MATERIAL				
NEXT HIGHER ASSY				
A-ML RP15-0				
FINISH				
SCALE				
SHEET 1 OF 1				
TITLE				
BUS MULTIPLEXER 06-11				
digital EQUIPMENT CORPORATION				
MAYNARD MASSACHUSETTS				
SIZE/CODE				
D85 RP15-0-43				
NUMBER				
REV				
C				

This drawing and specifications, herein, are the property of Digital Equipment Corporation and shall not be reproduced or copied or used in whole or in part as the basis for the manufacture or sale of items without written permission.



REV	CHANGE NO.	DATE
A	1	8-13-74
B	2	8-16-74

FIRST USED ON OPTION MODEL PDP15	QTY.	DESCRIPTION	PART NO.	ITEM NO.
UNLESS OTHERWISE SPECIFIED DIMENSION IN INCHES	DRN	DATE	PARTS LIST	
TOLERANCES DECIMALS FRACTIONS ANGLES = .009 = 1/64 = 0°30'	CHK'D	DATE	digital EQUIPMENT CORPORATION MAYNARD, MASSACHUSETTS	
FINAL SURFACE QUALITY REMOVE BURRS AND BREAK SHARP CORNERS	ENG	DATE	TITLE	
MATERIAL	PROJ. ENG.	DATE	BUS MULTIPLEXER 12 - 17	
FINISH	PROG.	DATE	NEXT HIGHER ASSY	
			A-1ML-RP15-0	
	SCALE		SIZE CODE	NUMBER
	SHEET 1 OF 1		DBS	RP15-0-44
			DIST.	REV. A



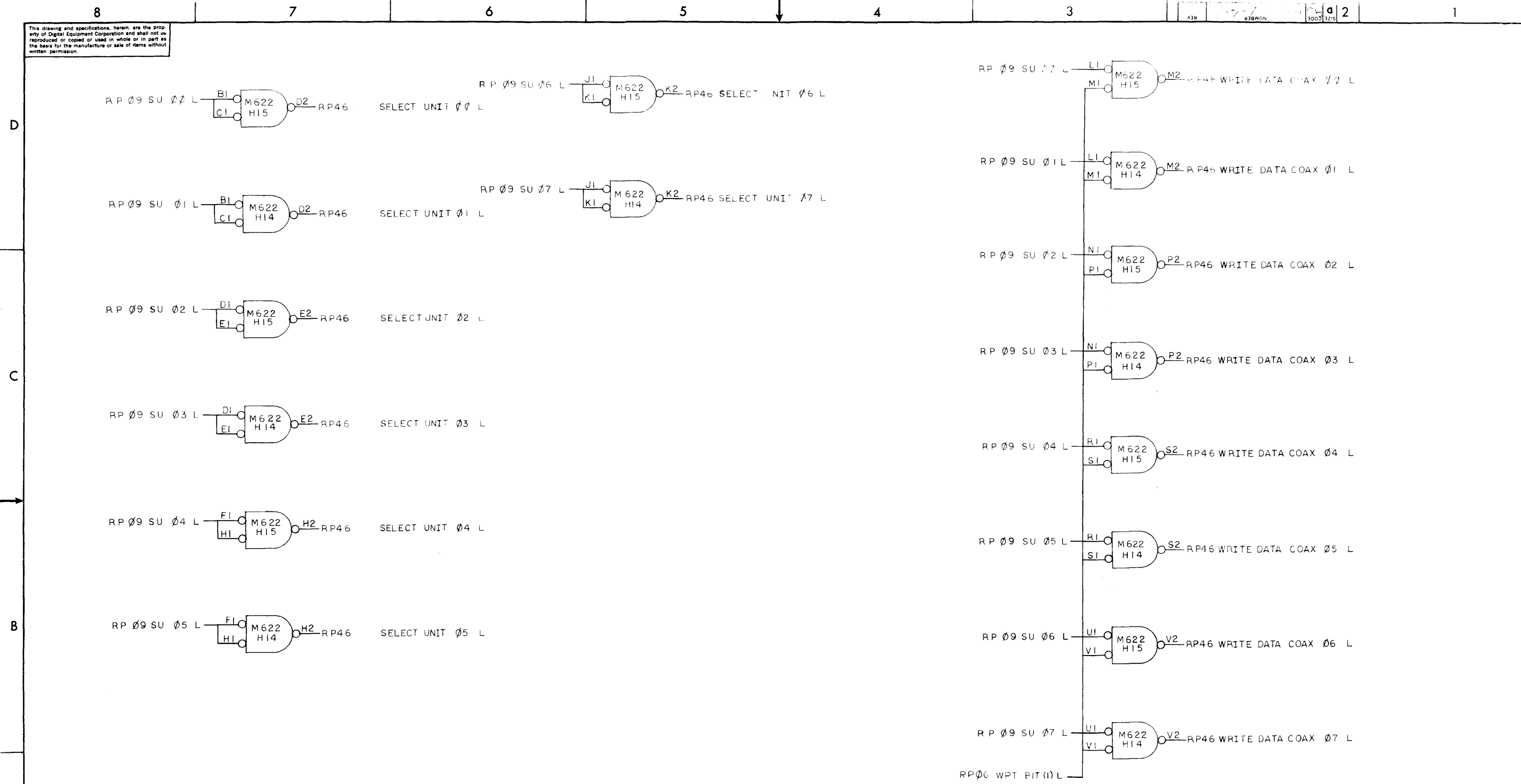
REV.	CHANGE NO.	DATE
1	RP15-00007	7-24-70
2	65M14902	12-14-70
3	J. Z. EH	
4	A. G. W.	12-14-70

DEC FORM NO. DRD 102A

FIRST USED IN SECTION / MODEL PDP 15	QTY.	DESCRIPTION	PART NO.	ITEM NO.
PARTS LIST				
UNLESS OTHERWISE SPECIFIED	DRN. <i>Tom Lewis</i>	DATE 8-21-70	<b>digital</b> CORPORATION MAYNARD, MASSACHUSETTS TITLE <b>MULTI-PLXER TERMINATOR</b> 00-17 SIZE CODE: NUMBER <b>DBS RP 5-0-45</b>	
UNLESS OTHERWISE SPECIFIED	CHK'D. <i>Tom Lewis</i>	DATE 7-23-70		
TOLERANCES	ENG. <i>J. Z.</i>	DATE 7-24-70		
DECIMALS FRACTIONS ANGLES = .005 = 1/64 = 0°30'	PROJ. ENG. <i>J. Z.</i>	DATE 7-24-70		
MATERIAL	PROD. <i>J. Z.</i>	DATE 7-24-70	A-MLRP15-0	
FINISH	SCALE	SHEET 1 OF 1	DIST.	

REV. A  
ITEM NO. 45  
PART NO. DBS RP 5-0-45

This drawing and specifications, herein, are the property of Digital Equipment Corporation and shall not be reproduced or copied or used in whole or in part as the basis for the manufacture or sale of items without written permission.

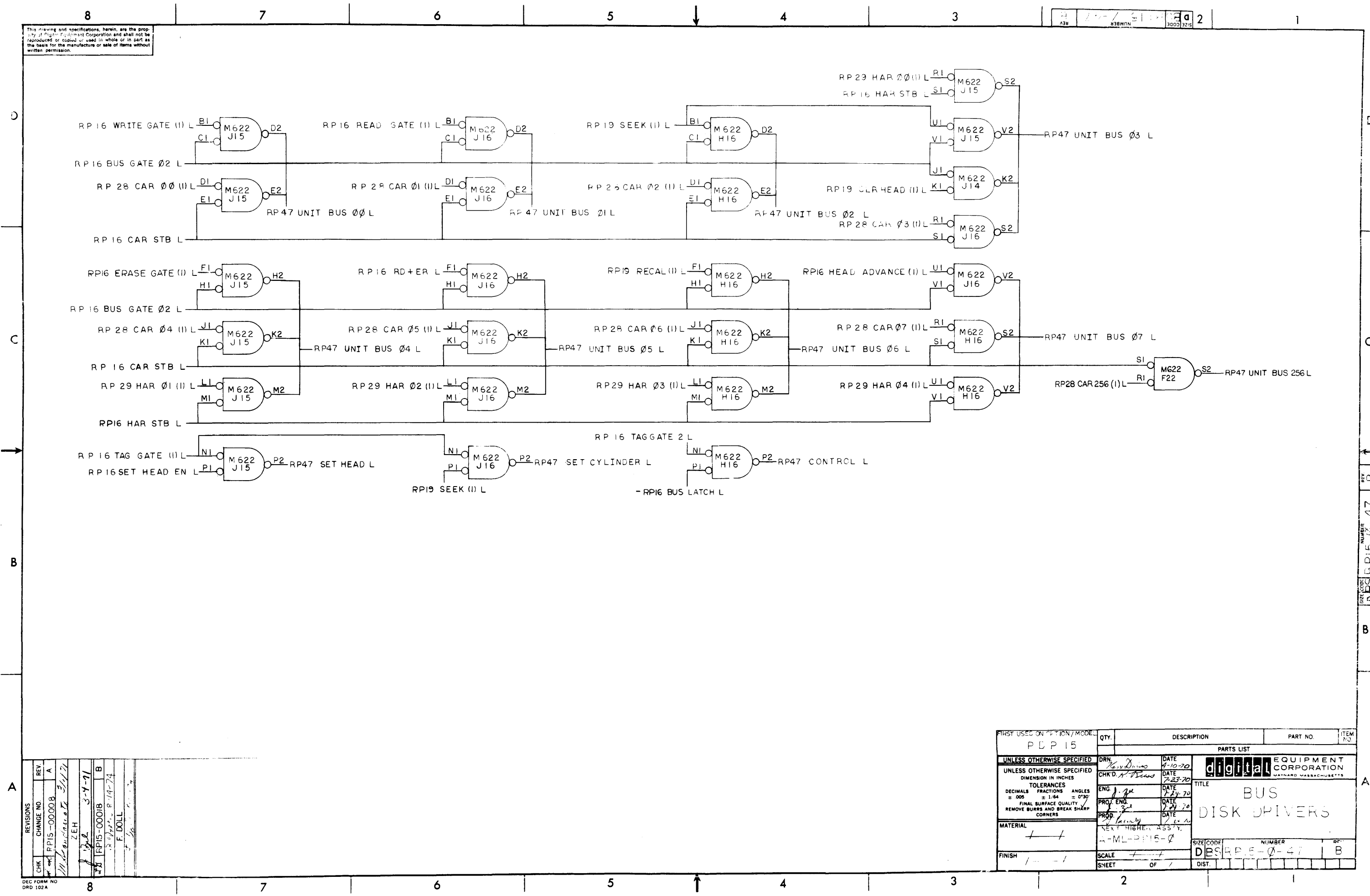


REV	
CHANGE NO	
CHK	

FIRST USED OR OPTION/MODIF PDP 15	QTY	DESCRIPTION	PART NO	ITEM NO
PARTS LIST				
UNLESS OTHERWISE SPECIFIED	DRN	DATE	<b>digital</b> EQUIPMENT CORPORATION MAYNARD, MASSACHUSETTS	
UNLESS OTHERWISE SPECIFIED	CHK'D	DATE		
DIMENSION IN INCHES	ENG	DATE	TITLE <b>UNIT DISK DRIVERS</b>	
TOLERANCES	PROJ. ENG.	DATE		
DECIMALS FRACTIONS ANGLES	PROD.	DATE		
± .005 ± .164 ± 0°30'	NEXT HIGHER ASSY. A-ML-RP15-0		SIZE CODE	NUMBER
FINAL SURFACE QUALITY REMOVE BURRS AND BREAK SHARP CORNERS	SCALE		D BSRP15-0-46	
MATERIAL	SHEET		REV.	
FINISH	OF		1	

This drawing and specifications, herein, are the property of Digital Equipment Corporation and shall not be reproduced or copied or used in whole or in part as the basis for the manufacture or sale of items without written permission.

REV. NUMBER 3000 3215 a 2



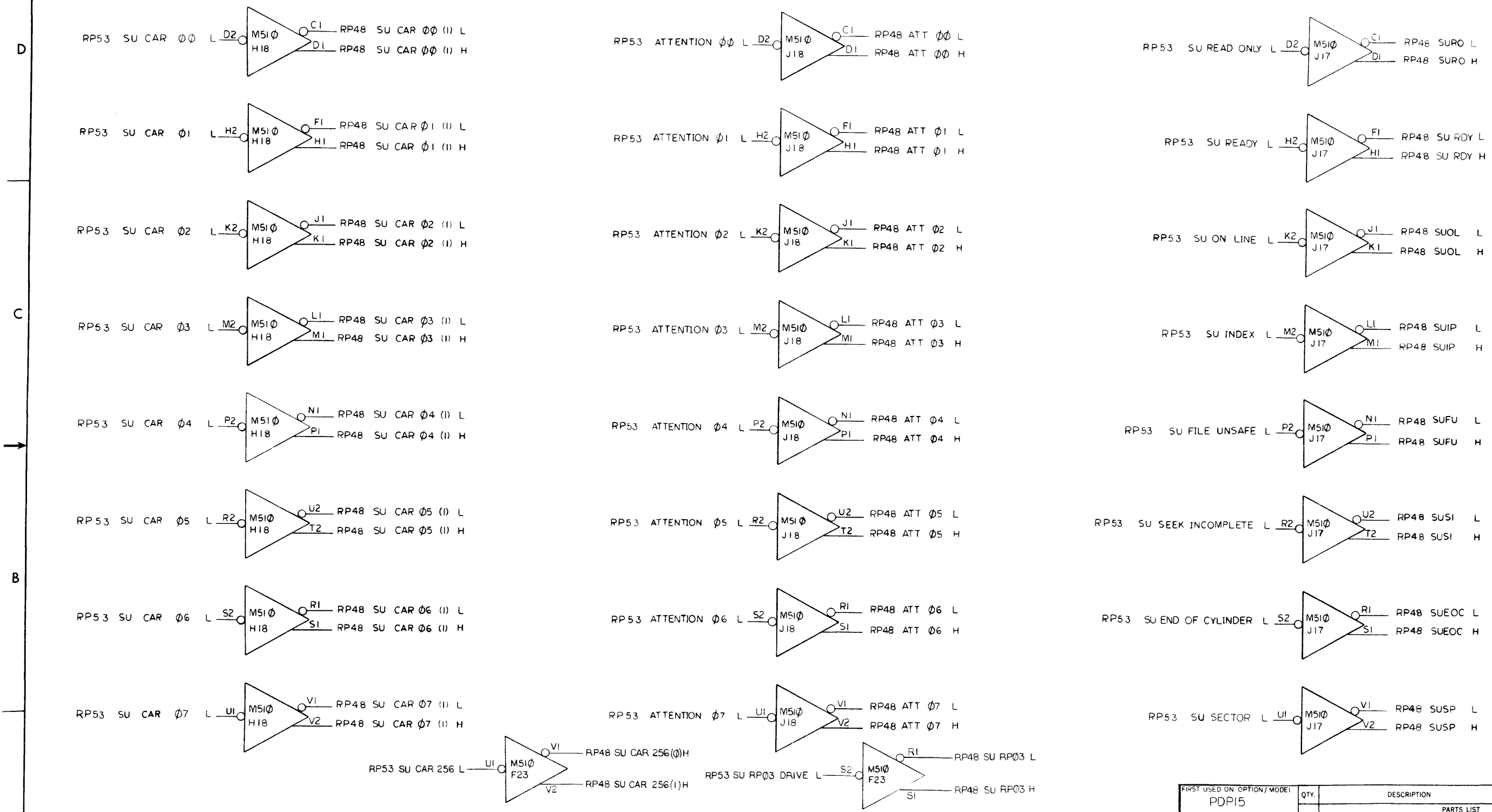
REV.	CHANGE NO.	DATE	BY	CHK'D.
A	0000B	3/1/71	ZEH	
B	0001B	3-4-71		
		3-14-74		
			F. DOLL	

FIRST USED ON PART/ MODEL	QTY.	DESCRIPTION	PART NO.	ITEM NO.
PDP15				
PARTS LIST				
UNLESS OTHERWISE SPECIFIED	DRN	DATE	<b>digital</b> CORPORATION MAYNARD MASSACHUSETTS	
UNLESS OTHERWISE SPECIFIED	CHK'D.	DATE		
DIMENSION IN INCHES	ENG.	DATE	TITLE <b>BUS DISK DRIVERS</b>	
TOLERANCES	PROJ. ENG.	DATE		
DECIMALS ± .005	PROJ.	DATE	SIZE CODE: <b>D</b> NUMBER: <b>BSR-P15-Ø-47</b> OF: <b>1</b>	
FRACTIONS ± 1/64				
ANGLES ± 0°30'			SCALE: <b>1</b> OF <b>1</b>	
FINAL SURFACE QUALITY REMOVE BURRS AND BREAK SHARP CORNERS				
MATERIAL			SHEET	
FINISH				

REV. NUMBER 3000 3215 a 2



This drawing and specifications, herein, are the property of Digital Equipment Corporation and shall not be reproduced or copied or used in whole or in part as the basis for the manufacture or sale of items without written permission.

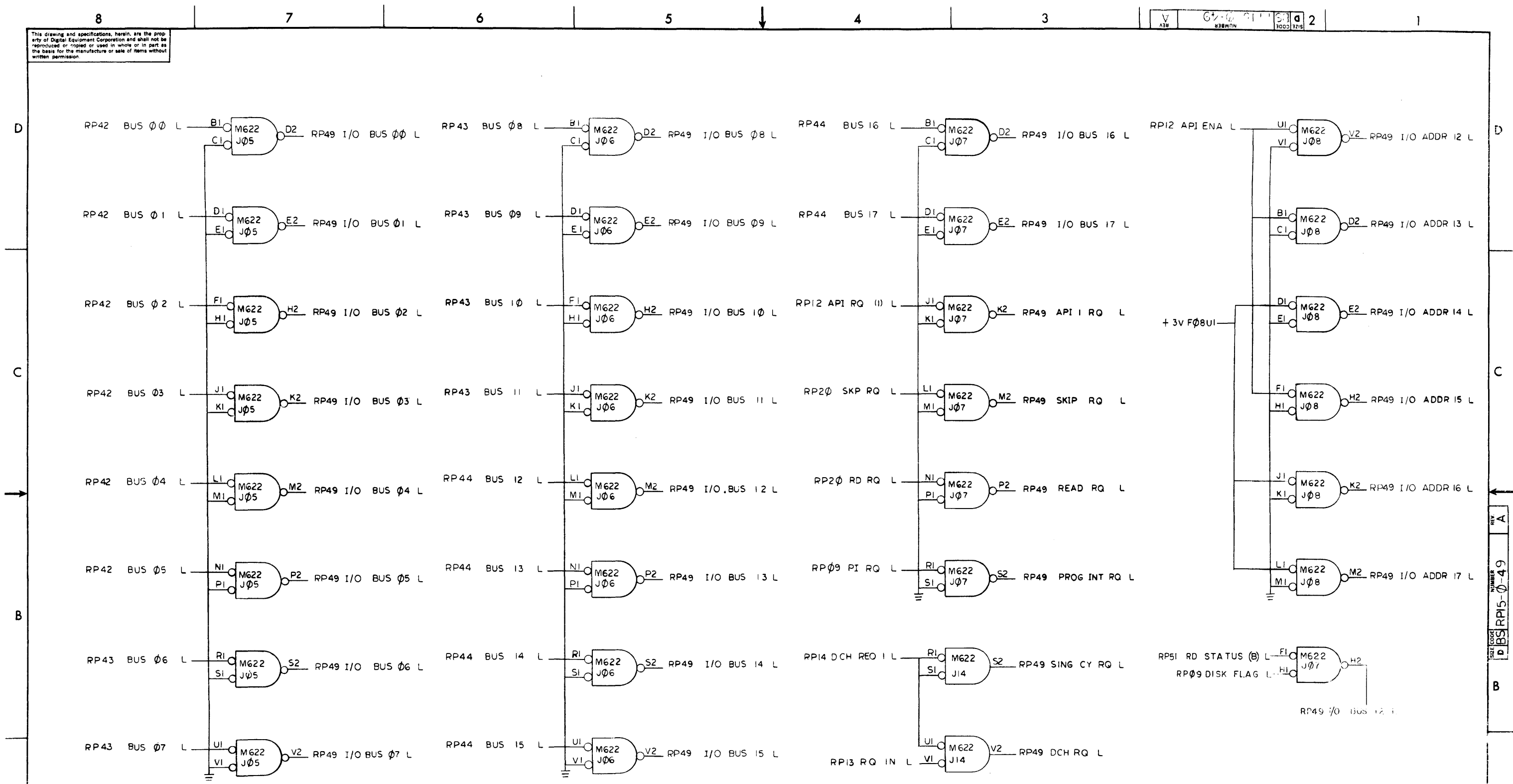


REV	CHANGE NO	CHK	DATE
A	0005	RELS	10-9-70
B	0018	J ZEH	5-18-71
	0018	F. DOLL	8-13-71

FIRST USED ON OPTION / MODEL	QTY.	DESCRIPTION	PART NO.	ITEM NO.
PDP15				
PARTS LIST				
<b>digital</b> EQUIPMENT CORPORATION MAYNARD, MASSACHUSETTS				
TITLE <b>DISK RECEIVERS</b>				
SIZE CODE NUMBER DBS RPI5-0-48				
REV B				

SIZE CODE NUMBER  
 DBS RPI5-0-48  
 REV B

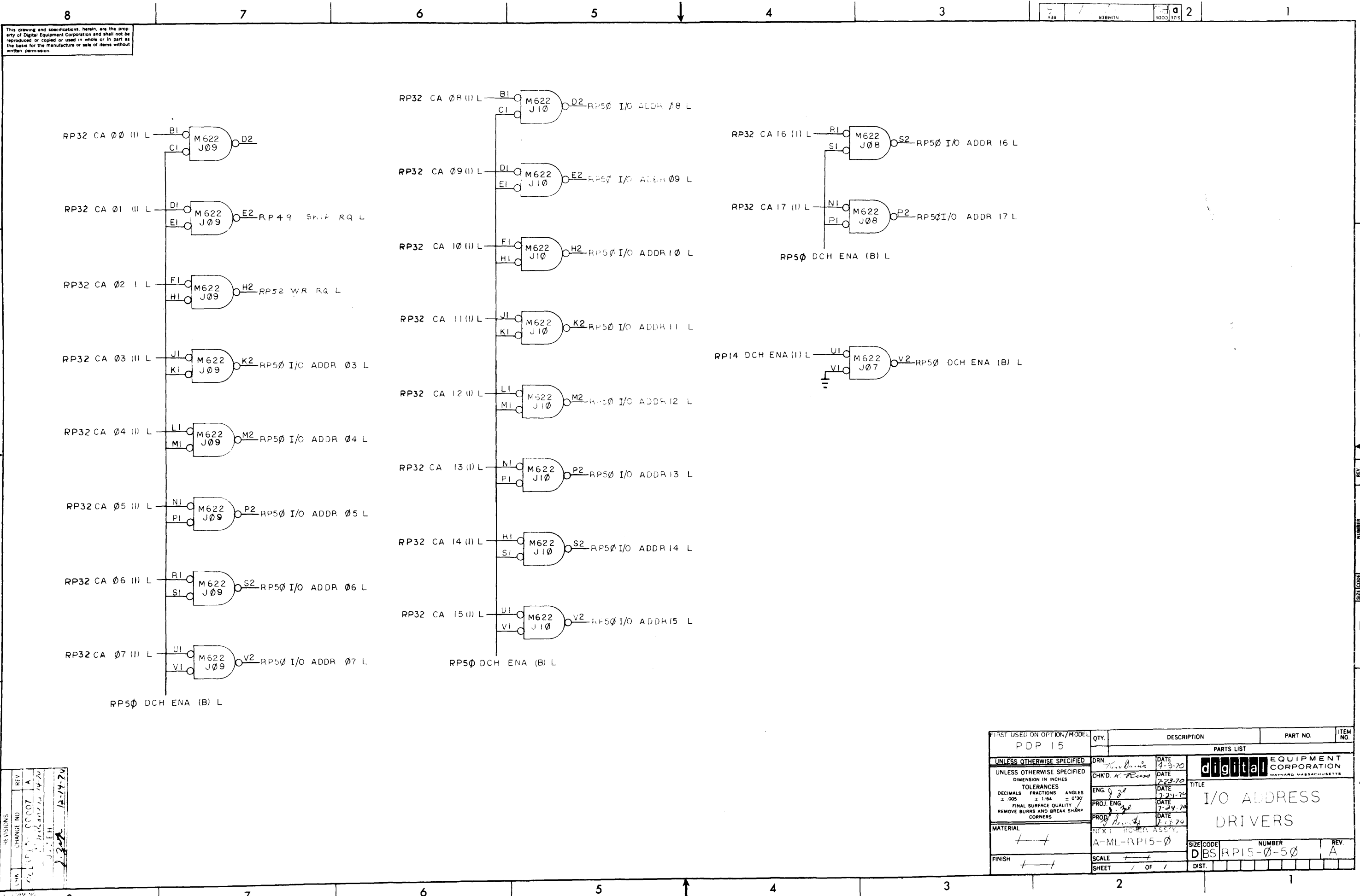
This drawing and specifications, herein, are the property of Digital Equipment Corporation and shall not be reproduced or copied or used in whole or in part as the basis for the manufacture or sale of items without written permission.



REV	CHANGE NO	DATE
A	0005	7-23-70
B	0006	7-24-70
C	0007	7-27-70

FIRST USED ON OPTION / MODEL	QTY.	DESCRIPTION	PART NO.	ITEM NO.
PDP15				
PARTS LIST				
<b>digital</b> EQUIPMENT CORPORATION MAYNARD, MASSACHUSETTS				
TITLE <b>I/O BUS DRIVERS</b> 00-17				
SIZE/CODE NUMBER REV DBS RPI5-0-49 A				
SCALE DIST. SHEET OF 1				

This drawing and specifications herein are the property of Digital Equipment Corporation and shall not be reproduced or copied or used in whole or in part as the basis for the manufacture or sale of items without written permission.

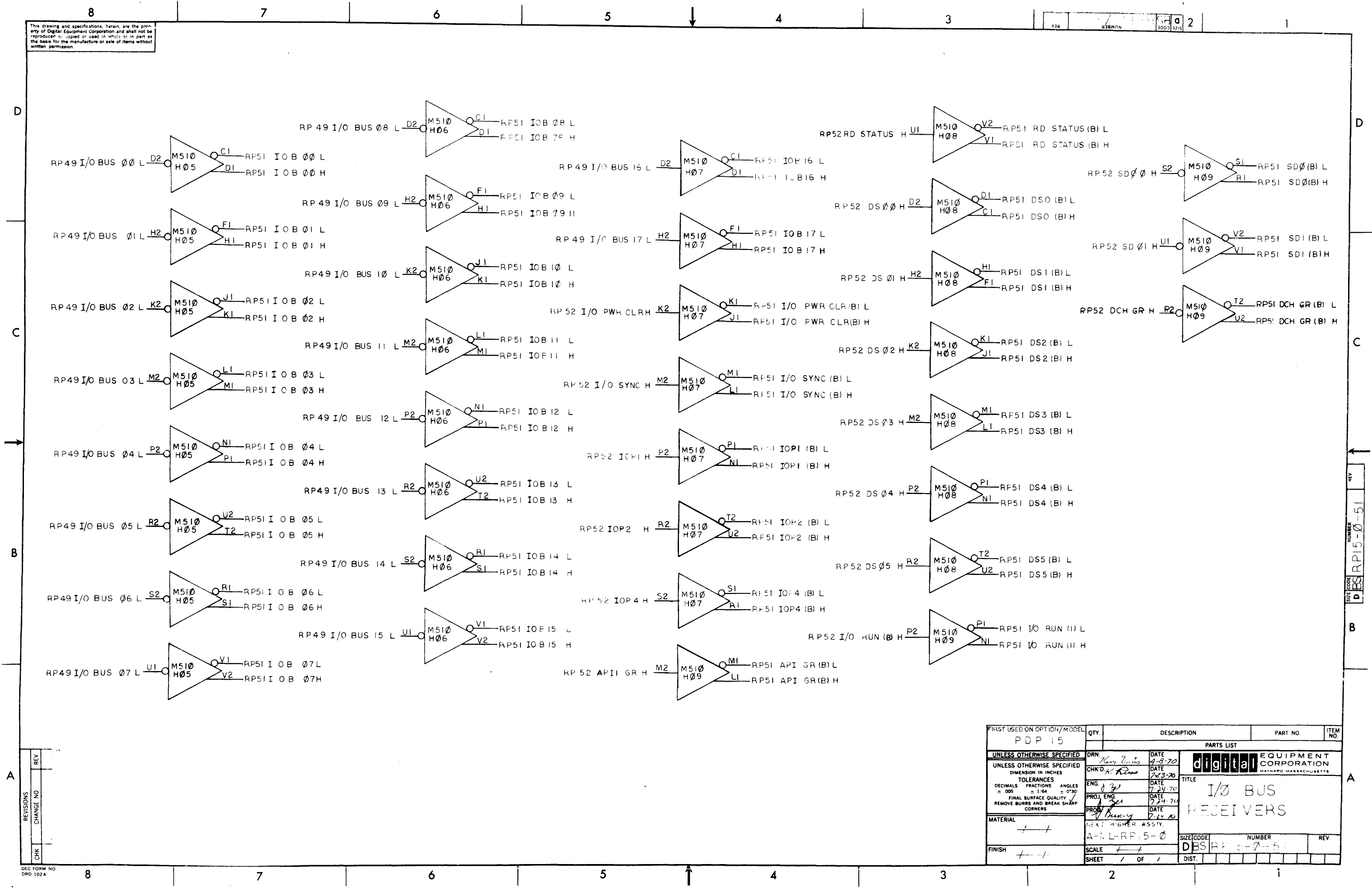


REV	CHANGE NO	DATE
1	00007	12-14-70
2		
3		

FIRST USED ON OPT KON/MODEL	QTY.	DESCRIPTION	PART NO.	ITEM NO.
PDP 15				
PARTS LIST				
UNLESS OTHERWISE SPECIFIED	DRN <i>See above</i>	DATE 4-9-70	<b>digital</b> EQUIPMENT CORPORATION MAYNARD, MASSACHUSETTS	
UNLESS OTHERWISE SPECIFIED	CHK'D. <i>A. Russo</i>	DATE 2-23-70		
DIMENSION IN INCHES	ENG <i>J. B.</i>	DATE 7-21-70		
TOLERANCES	PROJ. ENG. <i>J. B.</i>	DATE 7-24-70		
DECIMALS FRACTIONS ANGLES	PROD. <i>J. B.</i>	DATE 7-17-70	TITLE <b>I/O ADDRESS DRIVERS</b>	
= .005 ± 1/64 = 0°30'	MATERIAL			
FINAL SURFACE QUALITY / REMOVE BURRS AND BREAK SHARP CORNERS	FINISH		SIZE CODE	NUMBER
			D	BS RP15-0-50
	SCALE		DIST.	REV.
	SHEET 1 OF 1			A

SIZE CODE NUMBER REV  
 D BS RP15-0-50 A

This drawing and specifications, herein, are the property of Digital Equipment Corporation and shall not be reproduced or copied or used in whole or in part as the basis for the manufacture or sale of items without written permission.

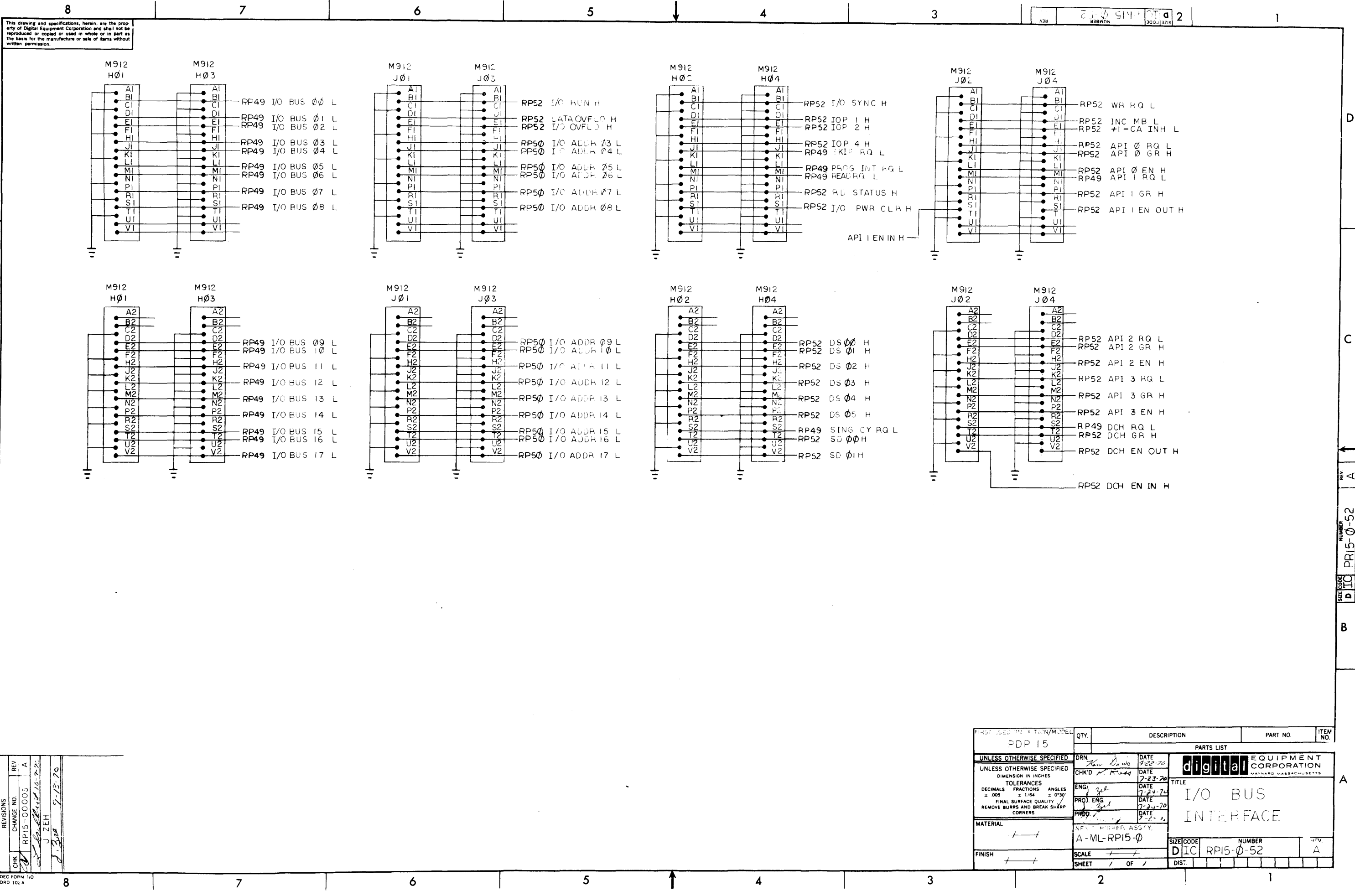


REV	NO
CHG	NO
CHK	NO

FIRST USED ON OPTION/MODEL PDP 15	QTY.	DESCRIPTION	PART NO.	ITEM NO.
UNLESS OTHERWISE SPECIFIED	DRN	DATE	PARTS LIST	
UNLESS OTHERWISE SPECIFIED	CHK'D	DATE	digital EQUIPMENT CORPORATION MAYNARD, MASSACHUSETTS	
DIMENSION IN INCHES	ENG	DATE	TITLE	
TOLERANCES	PROJ. ENG.	DATE	I/O BUS RECEIVERS	
DECIMALS = .005	PROB	DATE	SIZE CODE NUMBER REV.	
FRACTIONS = 1/64		DATE	D B S R P 15 - 0 - 51	
ANGLES = 0°30'		DATE	SCALE / OF / SHEET	
FINAL SURFACE QUALITY		DATE	DIST.	
REMOVE BURRS AND BREAK SHARP CORNERS		DATE		
MATERIAL		DATE		
FINISH		DATE		

REV NO. 51  
D B S R P 15 - 0 - 51

This drawing and specifications, herein, are the property of Digital Equipment Corporation and shall not be reproduced or copied or used in whole or in part as the basis for the manufacture or sale of items without written permission.



REV	CHANGE NO.	DATE
A	0005	7-24-70
B	0006	7-24-70
C	0007	7-24-70
D	0008	7-24-70

REV	DATE	BY	CHK'D	DATE	BY	CHK'D	DATE	BY	CHK'D	DATE
A	7-24-70	K. R. Davis	K. R. Davis	7-23-70	J. Z. E. H.	J. Z. E. H.	7-23-70	J. Z. E. H.	J. Z. E. H.	7-23-70

UNLESS OTHERWISE SPECIFIED	DRN	DATE	7-22-70
UNLESS OTHERWISE SPECIFIED	CHK'D	DATE	7-23-70
TOLERANCES	ENG	DATE	7-24-70
DECIMALS FRACTIONS ANGLES	PROJ. ENG.	DATE	7-24-70
= .005 = 1/64 = 0°30'	PROD.	DATE	7-24-70
FINAL SURFACE QUALITY			
REMOVE BURRS AND BREAK SHARP CORNERS			
MATERIAL	A-ML-RP15-Ø		
FINISH	+		

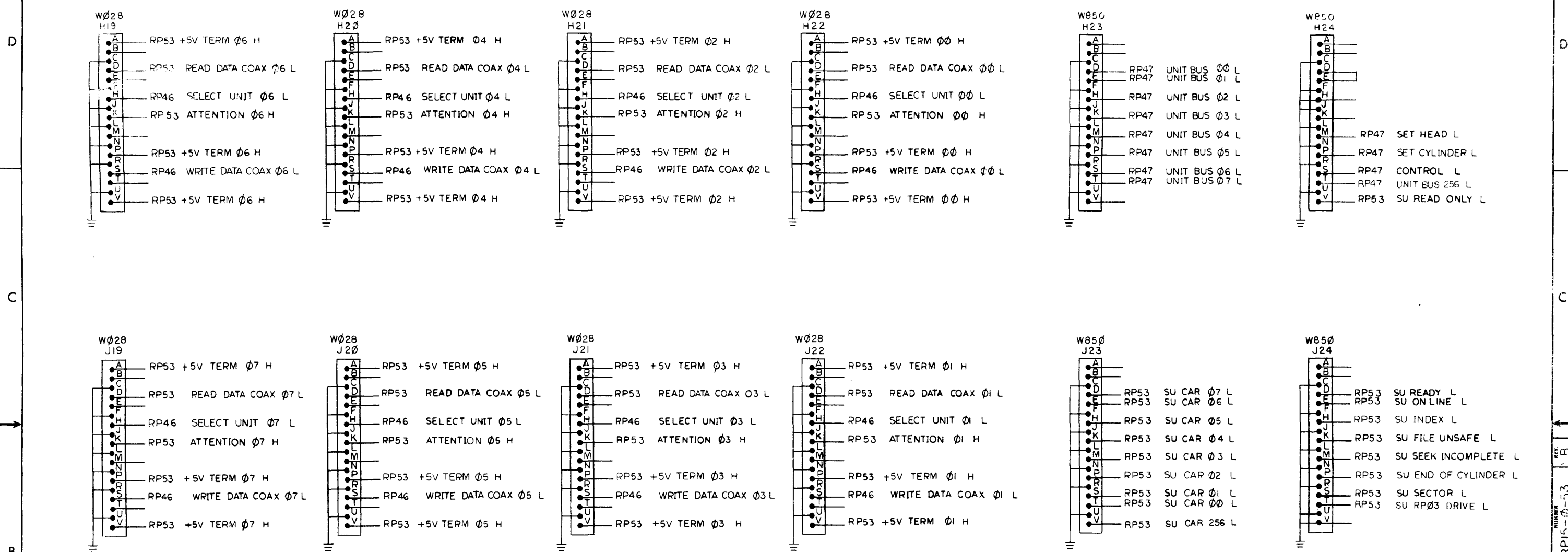
  

DEC FORM NO. DRD 10-A	8	7	6	5	4	3	2	1
-----------------------	---	---	---	---	---	---	---	---

REV. A  
NUMBER 10  
D I C P R I 5 - Ø - 5 2

digital EQUIPMENT CORPORATION MAYNARD, MASSACHUSETTS	TITLE I/O BUS INTERFACE	SIZE CODE D I C	NUMBER RP15-Ø-52	REV. A
---	----------------------------	--------------------	---------------------	-----------

This drawing and specifications herein are the property of Digital Equipment Corporation and shall not be reproduced or copied or used in whole or in part as the basis for the manufacture or sale of items without written permission.

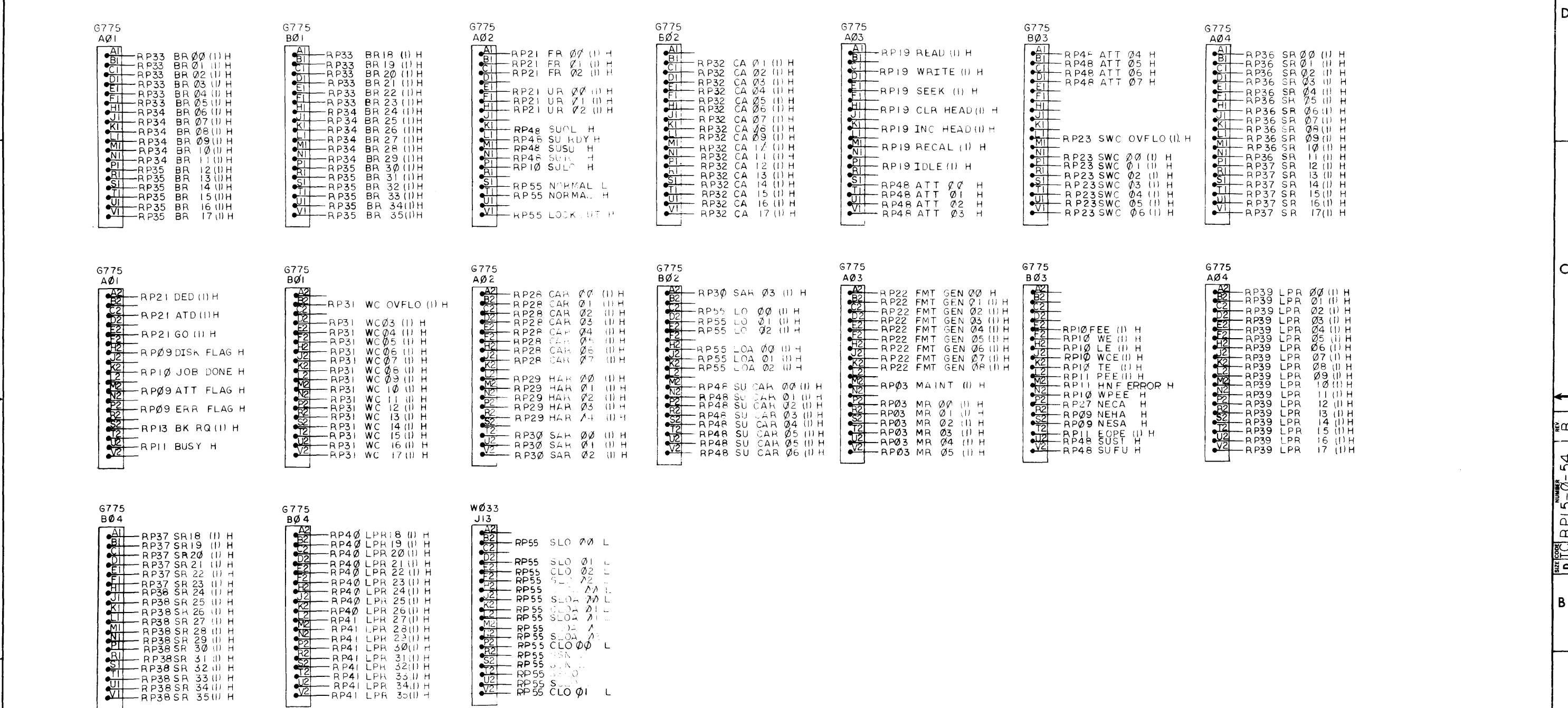


REV	CHANGE NO	CHK	DATE
A	0005	J ZEH	5-13-70
B	0008	F DOLL	8-13-74

FIRST USED ON OPTION MODEL PDP15	QTY.	DESCRIPTION	PART NO.	ITEM NO.
PARTS LIST				
UNLESS OTHERWISE SPECIFIED DIMENSION IN INCHES	DRN	DATE	digital EQUIPMENT CORPORATION MAYNARD MASSACHUSETTS	
TOLERANCES	CHK'D	DATE	TITLE	
DECIMALS FRACTIONS ANGLES	ENG	DATE	DRIVE CONTROL CABLE INTERFACE	
± .005 ± 1/64 ± 0'30"	PROJ. ENG.	DATE	SIZE CODE NUMBER REV.	
FINAL SURFACE QUALITY REMOVE BURRS AND BREAK SHARP CORNERS	PROJ. ENG.	DATE	D I C RP15-0-53 B	
MATERIAL	NEXT HIGHER ASSY	SCALE		
FINISH	A-ML-RP15-0	SHEET 1 OF 1		

REV B  
D I C RP15-0-53

This drawing and specifications, herein, are the property of Digital Equipment Corporation and shall not be reproduced or copied in whole or in part as the basis for the manufacture or sale of items without written permission.

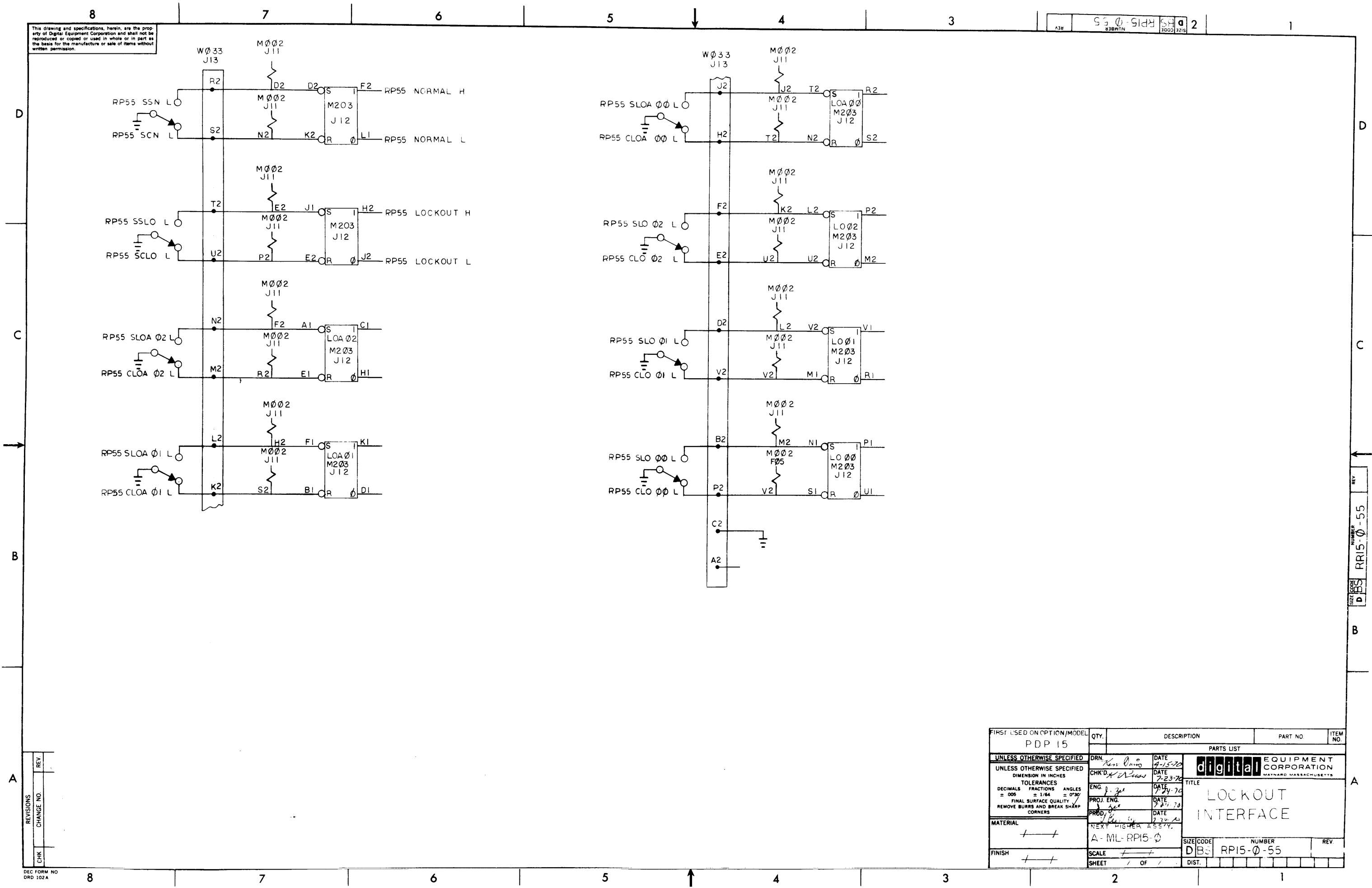


REV	CHANGE NO.	DATE	BY	CHK'D
A	1	7-31-74	H. Tamm	
B	2	8-17-74	ZEH	
	3	8-19-74	APB	
	4	8-19-74	F. DOLL	

QTY.	DESCRIPTION	PART NO.	ITEM NO.															
1	INDICATOR INTERFACE	A-ML-RP15-0	B															
<table border="1"> <tr> <td>DRN</td> <td>DATE</td> <td>7-24-74</td> </tr> <tr> <td>CHK'D</td> <td>DATE</td> <td>7-23-74</td> </tr> <tr> <td>ENG</td> <td>DATE</td> <td>7-24-74</td> </tr> <tr> <td>PROJ ENG</td> <td>DATE</td> <td>7-24-74</td> </tr> <tr> <td>PROJ</td> <td>DATE</td> <td>7-24-74</td> </tr> </table>				DRN	DATE	7-24-74	CHK'D	DATE	7-23-74	ENG	DATE	7-24-74	PROJ ENG	DATE	7-24-74	PROJ	DATE	7-24-74
DRN	DATE	7-24-74																
CHK'D	DATE	7-23-74																
ENG	DATE	7-24-74																
PROJ ENG	DATE	7-24-74																
PROJ	DATE	7-24-74																
<table border="1"> <tr> <td>SCALE</td> <td>1 OF 1</td> </tr> <tr> <td>SHEET</td> <td></td> </tr> </table>				SCALE	1 OF 1	SHEET												
SCALE	1 OF 1																	
SHEET																		

This drawing and specifications, herein, are the property of Digital Equipment Corporation and shall not be reproduced or copied or used in whole or in part as the basis for the manufacture or sale of items without written permission.

55 0-515 SH 2

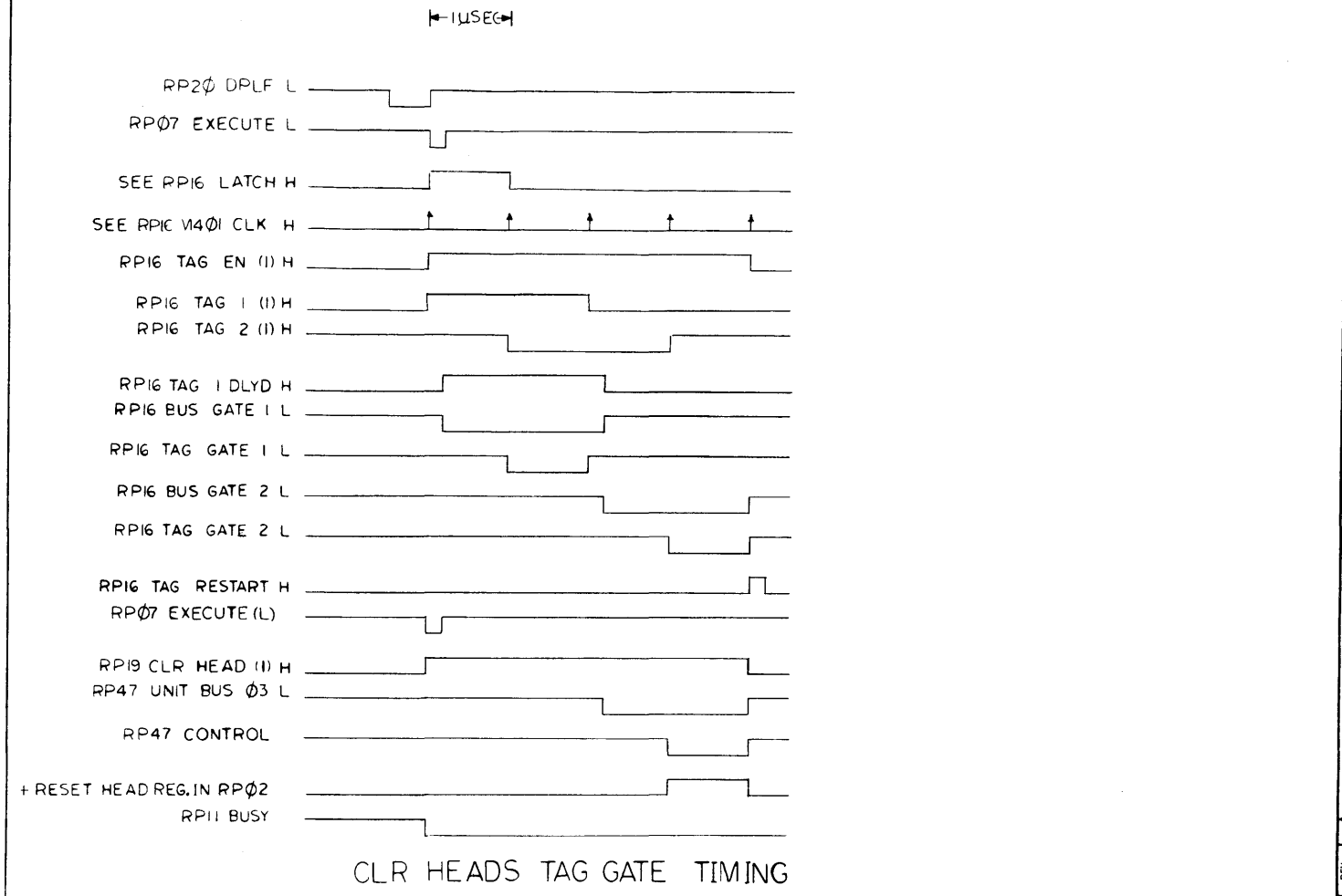
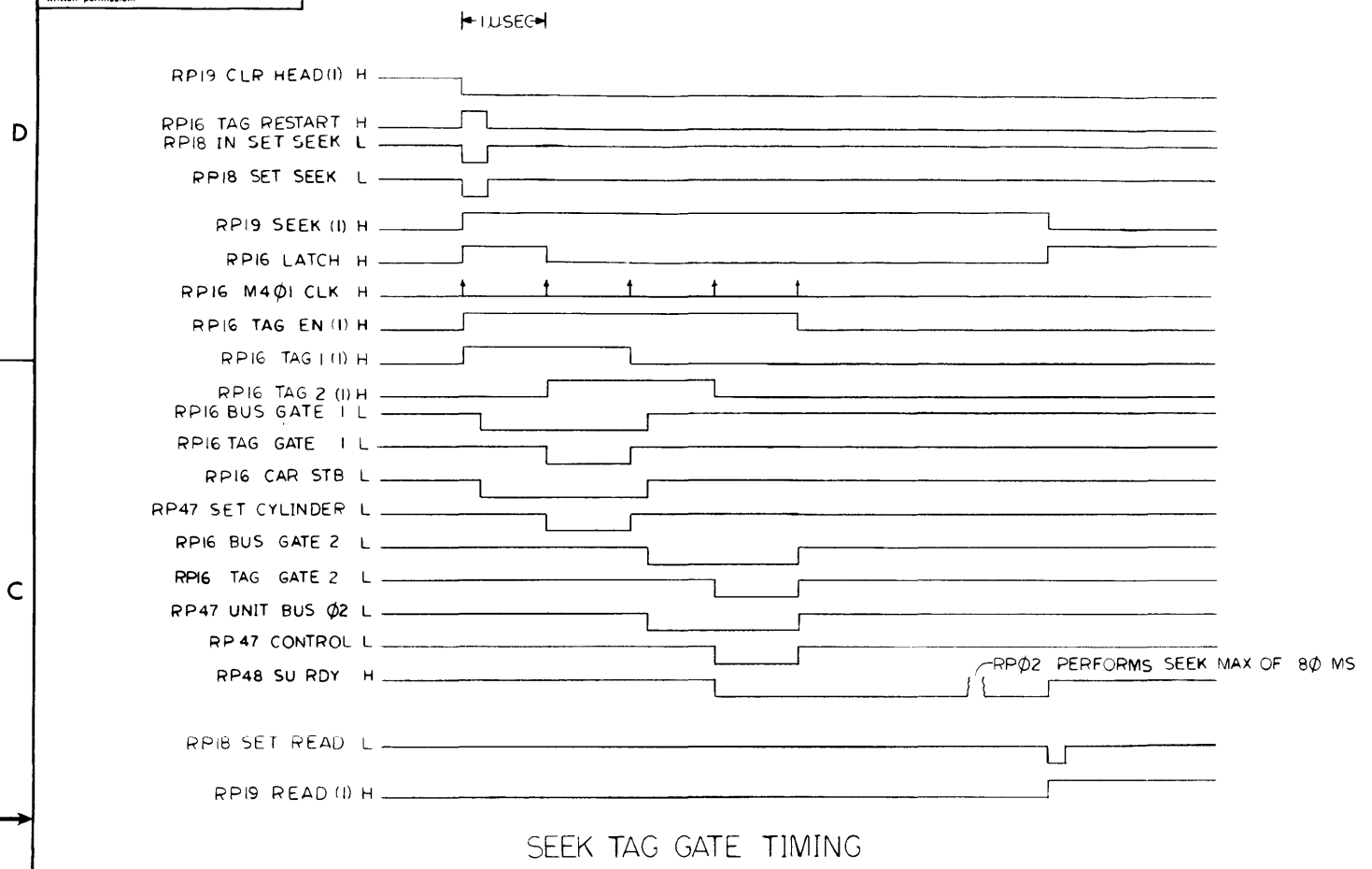


REV.	
CHANGE NO.	
CHK.	

FIRST USED ON OPTION/MODEL PDP 15	QTY.	DESCRIPTION	PART NO.	ITEM NO.
PARTS LIST				
UNLESS OTHERWISE SPECIFIED	DRN. <i>Kear</i>	DATE 4-15-70	 <b>digital</b> EQUIPMENT CORPORATION WAYNARD, MASSACHUSETTS	
UNLESS OTHERWISE SPECIFIED	CHK'D. <i>H. News</i>	DATE 7-23-70		
DIMENSION IN INCHES	ENG. <i>J. J.</i>	DATE 7-24-70		
TOLERANCES	PROJ. ENG. <i>J. J.</i>	DATE 7-24-70		
DECIMALS FRACTIONS ANGLES	PROD. <i>J. J.</i>	DATE 7-24-70	TITLE <b>LOCKOUT INTERFACE</b>	
= 005 = 1/64 = 0°30'	NEXT HIGHER ASSY.			
FINAL SURFACE QUALITY / REMOVE BURRS AND BREAK SHARP CORNERS	MATERIAL	A-ML-RP15-0		
	FINISH	SCALE	SIZE CODE	NUMBER
		SHEET	DBS	RP15-0-55
		OF	DIST.	REV.



This drawing and specifications, herein, are the property of Digital Equipment Corporation and shall not be reproduced or copied or used in whole or in part as the basis for the manufacture or sale of items without written permission.



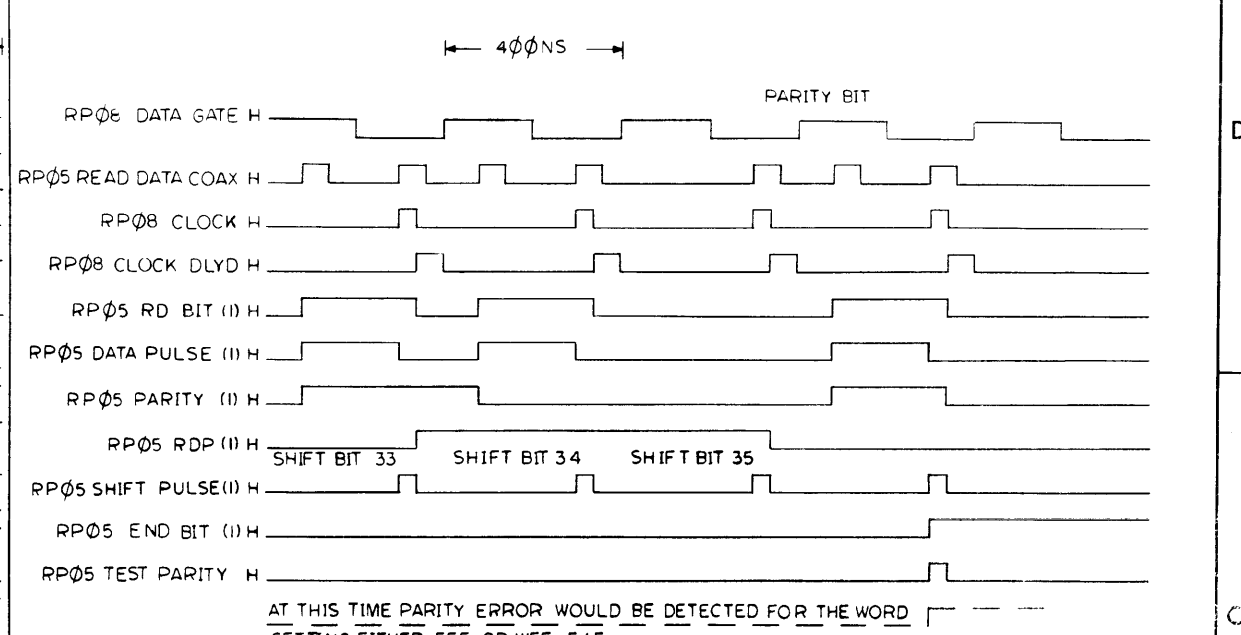
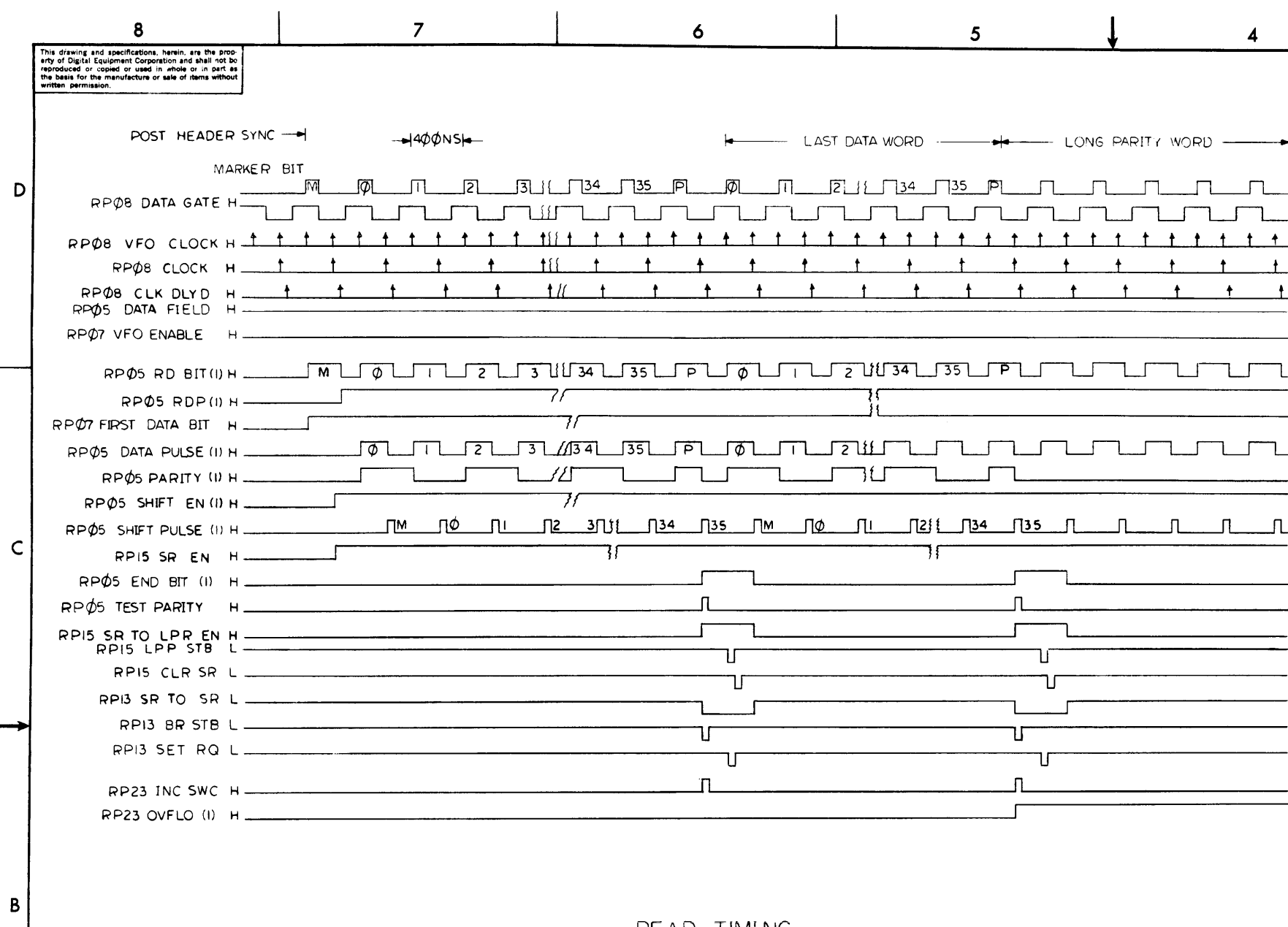
REV	CHANGE NO	DATE	BY
A	RP15-0000F		J ZEH
B	RP15-0000G	9-13-70	J ZEH
C	RP15-0000B	12-14-70	J ZEH
	RP15-0000A	3-4-71	J ZEH

FIRST USED ON OPTION MODEL PDP15	QTY.	DESCRIPTION	PART NO.	ITEM NO.
PARTS LIST				
UNLESS OTHERWISE SPECIFIED	DRN	DATE	<b>digital</b> EQUIPMENT CORPORATION MAYNARD, MASSACHUSETTS	
UNLESS OTHERWISE SPECIFIED	CHK'D	DATE		
TOLERANCES	ENG	DATE		
DECIMALS FRACTIONS ANGLES = .005 = 1/64 = 0°30'	PROJ. ENG.	DATE		
FINAL SURFACE QUALITY REMOVE BURRS AND BREAK SHARP CORNERS	PROD.	DATE	TITLE <b>TIMING DIAGRAM</b>	
MATERIAL	NEXT HIGHER ASSY			
FINISH	A-ML-RP15-Ø			
SCALE	OF 5		SIZE CODE	NUMBER
			DITD	RP15-Ø-56
			DIST.	REV C

REV. C  
NUMBER  
RP15-Ø-56

This drawing and specifications herein are the property of Digital Equipment Corporation and shall not be reproduced or copied or used in whole or in part as the basis for the manufacture or sale of items without written permission.

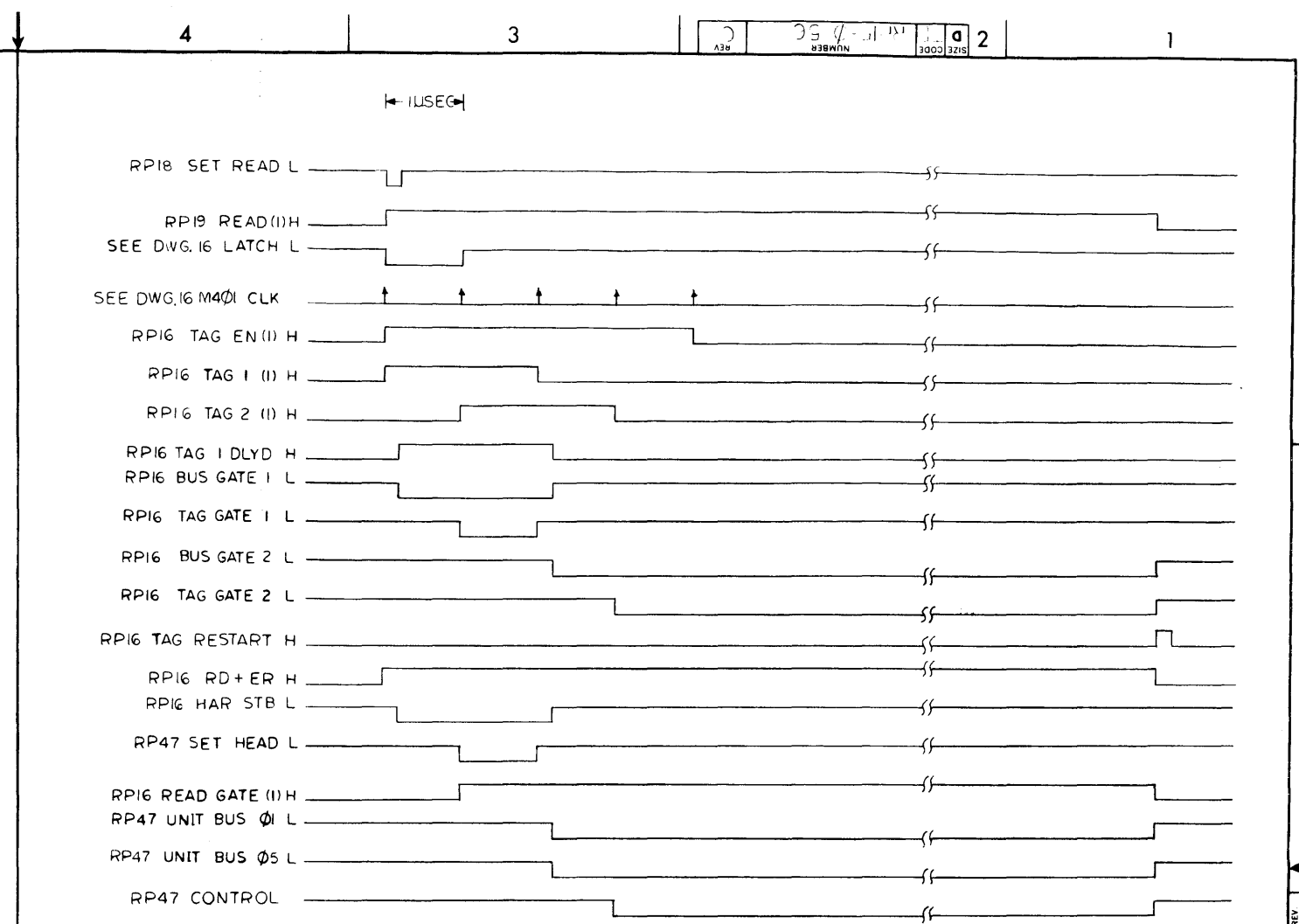
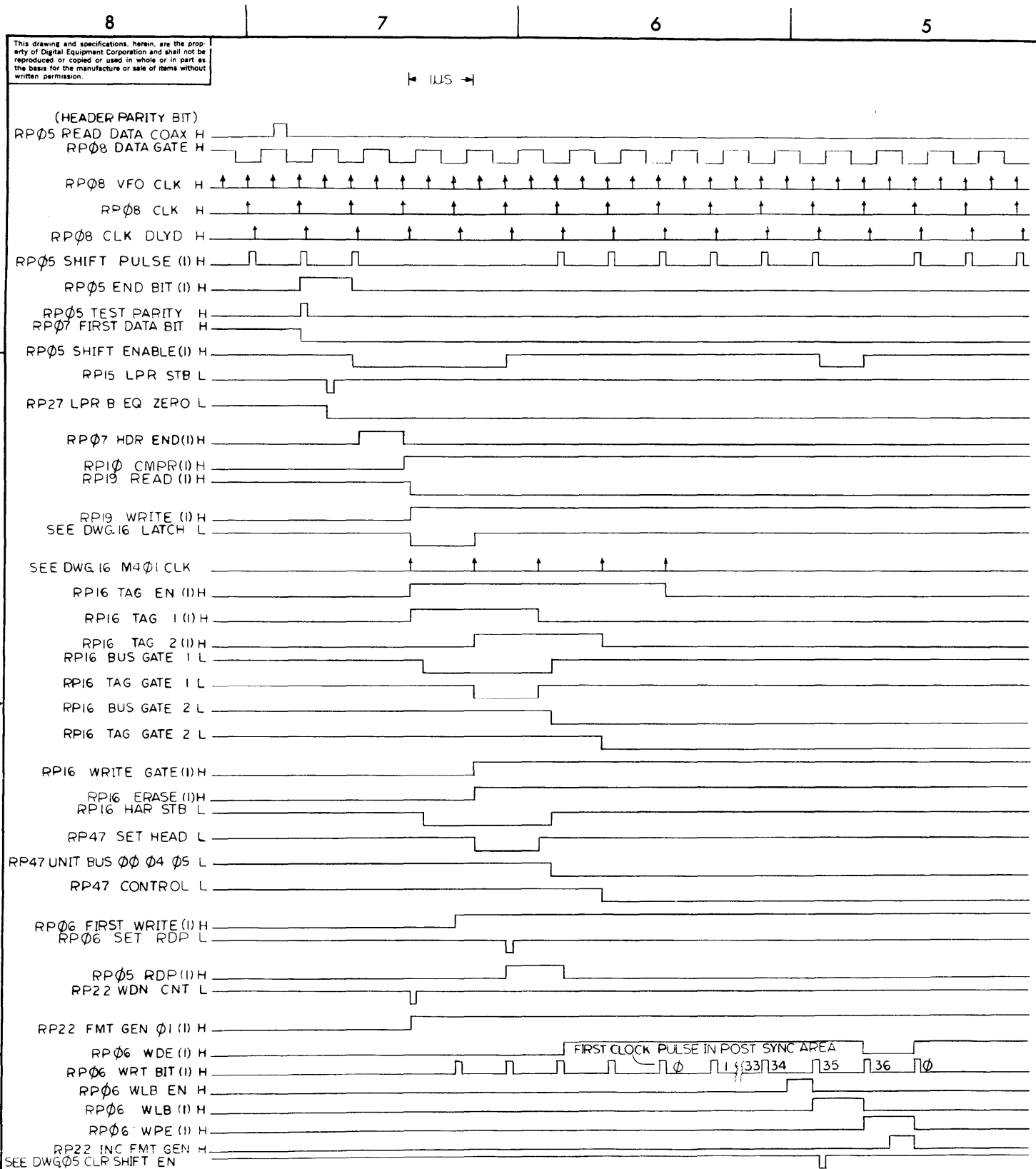
REV. C  
 NUMBER  
 SIZE CODE  
 2



REV	
CHANGE NO	
CHK	

FIRST USED ON OPTION/ MODEL PDP15	QTY.	DESCRIPTION	PART NO.	ITEM NO.
PARTS LIST				
UNLESS OTHERWISE SPECIFIED	DRN.	DATE	digital EQUIPMENT CORPORATION MAYNARD, MASSACHUSETTS	
UNLESS OTHERWISE SPECIFIED	CHK'D.	DATE	TITLE	
TOLERANCES	ENG.	DATE	TIMING DIAGRAM	
DECIMALS FRACTIONS ANGLES	PROJ. ENG.	DATE		
± .005 ± 1/64 ± 0°30'	PROB.	DATE		
FINAL SURFACE QUALITY REMOVE BURRS AND BREAK SHARP CORNERS				
MATERIAL	NEXT HIGHER ASSY			
FINISH	A-ML-RP15-0			
	SCALE	SIZE CODE		NUMBER
	SHEET 2 OF 5	D TD		RP15-0-56
		DIST.		REV. C

This drawing and specifications, herein, are the property of Digital Equipment Corporation and shall not be reproduced or copied or used in whole or in part as the basis for the manufacture or sale of items without written permission.



READ TAG GATE TIMING

WRITE TAG GATE TIMING & CONTROL

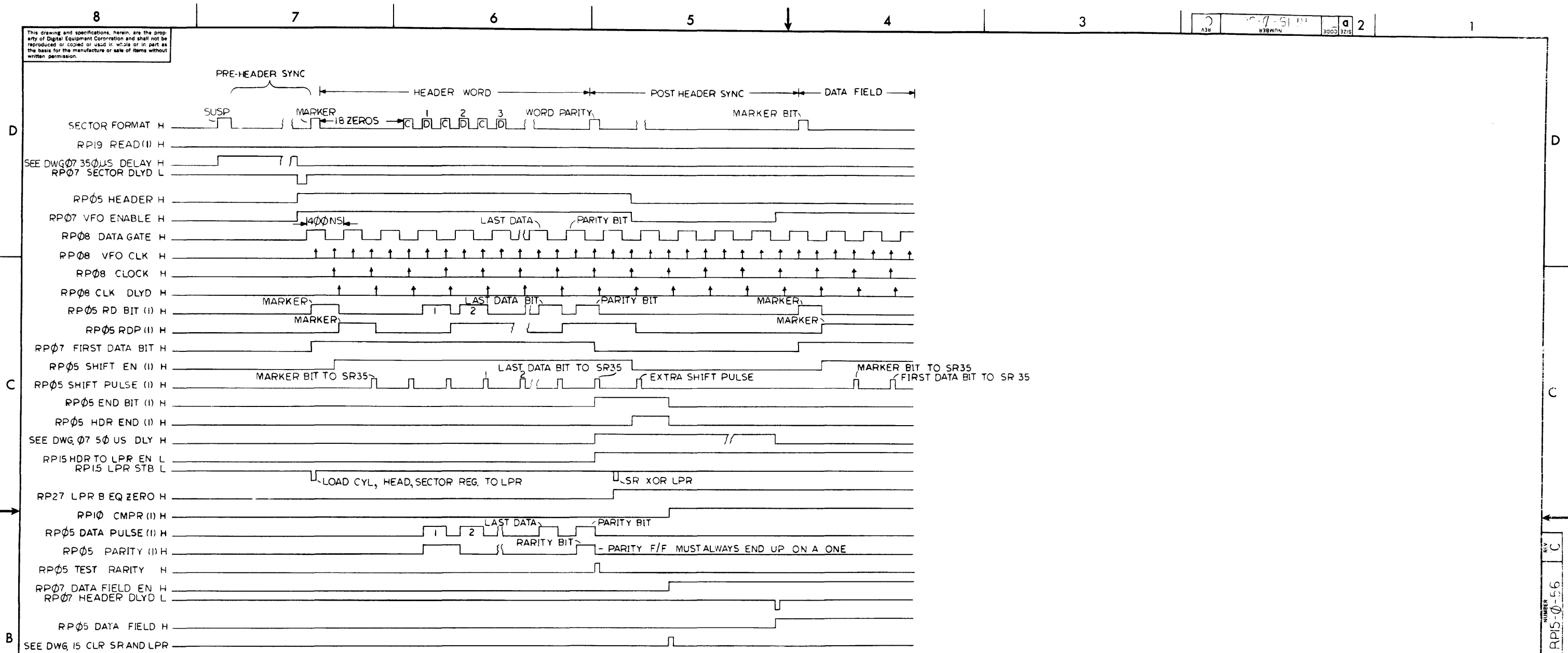
REV	CHANGE NO

FIRST USED ON OPTION / MODEL	QTY.	DESCRIPTION	PART NO.	ITEM NO.
PDP15				
PARTS LIST				
<b>digital</b> CORPORATION MAYNARD, MASSACHUSETTS				
TIMING DIAGRAM				
A-ML-RP15-0				
SIZE CODE D T D NUMBER RPI5-0-56 REV. C				
SCALE SHEET 3 OF 5 DIST.				

REV C  
NUMBER  
D T D RPI5-0-56  
REV B

This drawing and specifications herein are the property of Digital Equipment Corporation and shall not be reproduced or copied or used in whole or in part as the basis for the manufacture or sale of items without written permission.

REV. C  
 NUMBER RP15-0-56  
 SHEET 4 OF 5



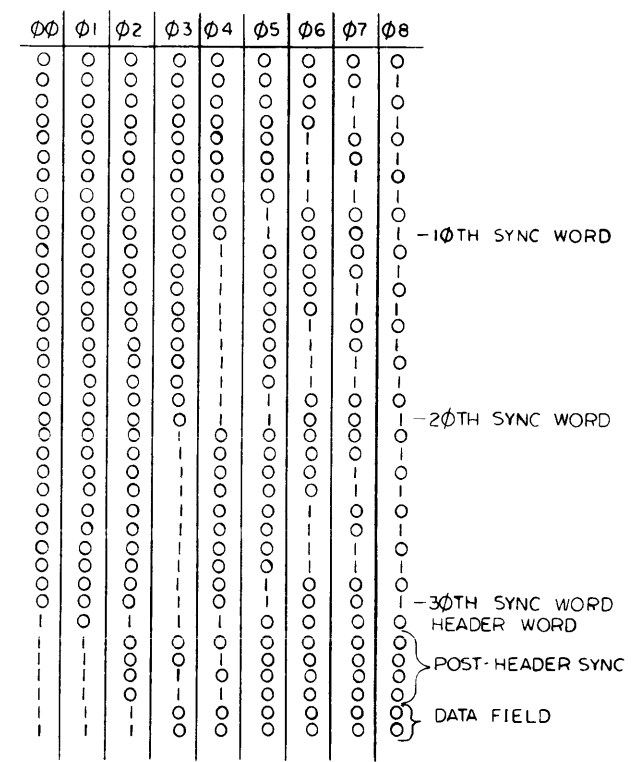
HEADER TIMING

REV	
CHANGE NO.	
CHK	

FIRST USED ON OPTION / MODEL PDP15	QTY.	DESCRIPTION	PART NO.	ITEM NO.
PARTS LIST				
UNLESS OTHERWISE SPECIFIED	DRN	DATE	digital CORPORATION MAYNARD MASSACHUSETTS	
DIMENSION IN INCHES	CHK'D	DATE	TITLE TIMING DIAGRAM	
TOLERANCES	ENG	DATE		
DECIMALS FRACTIONS ANGLES	PROJ. ENG.	DATE		
FINAL SURFACE QUALITY REMOVE BURRS AND BREAK SHARP CORNERS	PROD.	DATE		
MATERIAL	NEXT HIGHER ASSY		SIZE CODE NUMBER REV	
FINISH	SCALE		D T D RP15-0-56 C	
	SHEET 4 OF 5		DIST.	

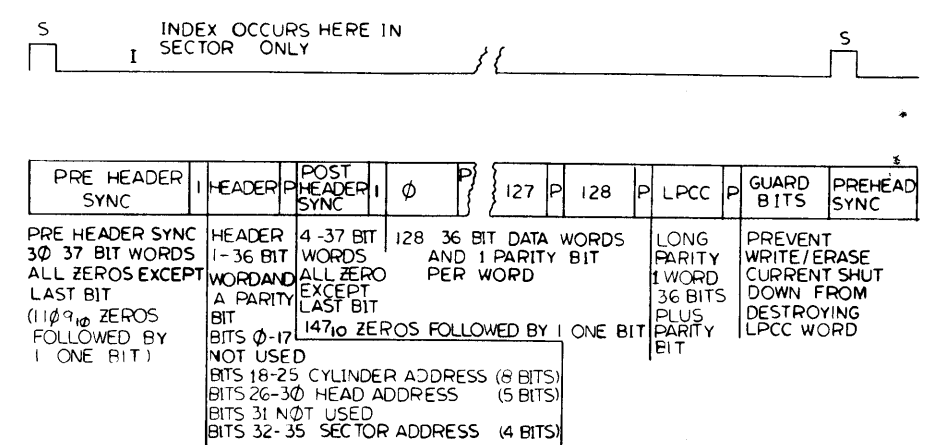
This drawing and specifications herein are the property of Digital Equipment Corporation and shall not be reproduced or copied or used in whole or in part as the basis for the manufacture or sale of items without written permission.

### FORMAT GENERATOR COUNT



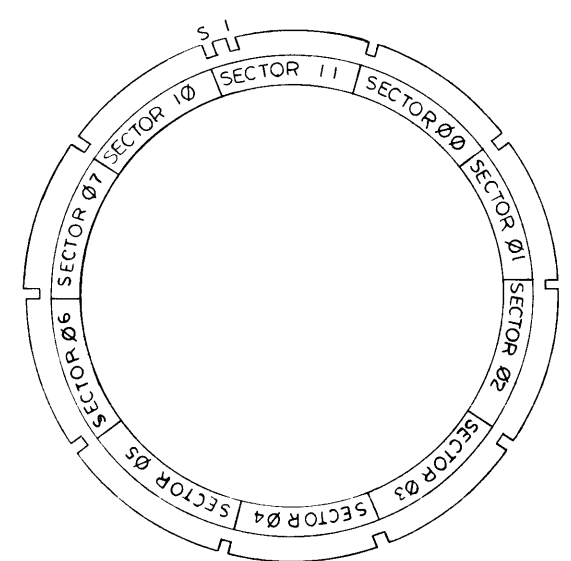
	FMT GEN 01	FMT GEN 02
PRE-HEADER	0	0
HEADER	0	1
POST-HEADER	1	0
DATA	1	1

### RP15 FORMAT



- \* PRE HEADER SYNC USED TO SYNC UP VFO WRITTEN DURING FORMATTING
- \*\* POST HEADER SYNC USED TO SYNC VFO WRITTEN FOR EACH WRITE OPERATION
- \*\*\* THE SINGLE 1 BIT IN SYNC AREA'S ARE USED TO MARK START OF READ OPERATION MARKS END OF WORD IN THE SHIFT REGISTER

### RP15 DISK SECTOR LAYOUT



REVISIONS

REV.	CHANGE NO.

CHK

FIRST USED ON OPTION/MODEL	QTY.	DESCRIPTION	PART NO.	ITEM NO.
PDP 15				
PARTS LIST				
UNLESS OTHERWISE SPECIFIED	DRN	DATE	<b>digital</b> EQUIPMENT CORPORATION MAYNARD MASSACHUSETTS	
UNLESS OTHERWISE SPECIFIED	CHK'D	DATE		
TOLERANCES	ENG	DATE		
DECIMALS FRACTIONS ANGLES	PROJ. ENG.	DATE		
± .005 ± 1/64 ± 0°30'	PROD.	DATE		
FINAL SURFACE QUALITY REMOVE BURRS AND BREAK SHARP CORNERS			TIMING DIAGRAM	
MATERIAL	NEXT HIGHER ASSY		SIZE CODE	NUMBER
FINISH	SCALE		D TD	RP15-0-56
	SHEET 5 OF 5		DIST.	REV. C

This drawing and specifications herein are the property of Digital Equipment Corporation and shall not be reproduced or copied or used in whole or in part as the basis for the manufacture or sale of items without written permission.

RP15 ADJUSTMENT PROCEDURE

1. POWER DOWN SYSTEM. REMOVE ALL CABLES IN SLOTS H19 - H24 AND SLOTS J19 - J24. CABLES SHOULD BE MARKED WITH APPROPRIATE LOCATIONS.
2. REMOVE M622 MODULES LOCATED IN H14, H15, AND H16. PLACE M622 MODULES IN SLOTS H17, J23, AND J24.
3. POWER UP SYSTEM. SET ACCUMULATOR SWITCHES TO 760032. LOAD RP15 INSTRUCTION TEST. AFTER TAPE IS LOADED AND THE TELETYPE BELL RINGS, LOWER AC SWITCH 00.
4. SET UP OSCILLOSCOPE FOR INTERNAL SYNC ON PROBE #1. PLACE PROBE #1 ON C24F2. ADJUST TOP POT IN SLOT C24 UNTIL TRACE ON SCOPE IS A 1-5 USEC HIGH LEVEL.
5. PLACE PROBE #1 ON C24T2. ADJUST LOWER POT IN SLOT C24 UNTIL TRACE ON SCOPE IS A 350 USEC HIGH LEVEL.
6. PLACE PROBE #1 ON C25F2. ADJUST TOP POT C25 UNTIL TRACE ON SCOPE IS A 50 USEC HIGH LEVEL.
7. SET ACCUMULATOR SWITCHES TO 760130. AFTER BELL RINGS, LOWER AC SWITCH 00.
8. PLACE PROBE #1 ON C07T2. ADJUST LOWER POT IN C07 UNTIL TRACE ON SCOPE IS A 20 USEC HIGH LEVEL.
9. PLACE PROBE #1 ON A05P2. ADJUST POT IN C06 UNTIL TRACE ON SCOPE IS A 4 USEC HIGH LEVEL.
10. POWER DOWN SYSTEM. REMOVE M622 MODULES LOCATED IN SLOTS H17, J23, AND J24. REPLACE M622 MODULES IN LOCATIONS H14, H15, AND H16.
11. REPLACE ALL CABLES REMOVED IN STEP #1.
12. POWER UP SYSTEM. RP02 DISK DRIVE MUST BE ON LINE AND READY.
13. PRESS I/O RESET. PLACE PROBE #1 ON CLOCK H, D17L2. PLACE PROBE #2 ON CLOCK GATE H, D17P1. ADJUST POT IN SLOT C15 UNTIL LEADING EDGE OF PULSE ON PROBE #1 FALLS EXACTLY IN THE MIDDLE OF THE HIGH LEVEL ON PROBE #2.
14. LOAD THE FOLLOWING PROGRAM FROM THE ACCUMULATOR SWITCHES. DISK PACK MUST BE FORMATTED CORRECTLY PRIOR TO THIS STEP.
 

100/	703302	CAF
	200000	LAC 0
	706344	DPCA
	777400	LAW -400
	706364	DPWC
	200001	LAC 1
	706464	DPLF
	706341	DPSJ
	600107	JMP -1
	600100	JMP 100
0/	010000	CA = 10000
	011000	FUNCTION = READ & GO
15. START PROGRAM AT LOCATION 100. PLACE PROBE #1 ON E14B1. PLACE PROBE #2 ON F11E2. MEASURE THE DELAY BETWEEN THE LEADING EDGES OF PROBE #1 AND PROBE #2 (MEASURE AT THE 50% POINTS OF THE FIRST PULSES IN TRACE ONLY.) RECORD THE DELAY ON PAPER. (~20 NSEC)
16. PLACE PROBE #1 ON D17L2. PLACE PROBE #2 ON F11H2. ADJUST POT IN LOCATION F12 UNTIL THE DELAY BETWEEN PROBE #1 AND PROBE #2 IS EQUAL TO THE RECORDED DELAY FROM STEP #15.

TO CONVERT FROM DISK OPERATION TO DISKLESS. FOLLOW STEPS 1-3.

1. POWER DOWN SYSTEM. REMOVE ALL CABLES IN SLOTS H19-H24 AND SLOTS J19-J24. CABLES SHOULD BE MARKED WITH APPROPRIATE LOCATIONS.
2. REMOVE M622 MODULES LOCATED H14, H15, AND H16. PLACE M622 MODULES IN SLOTS H17, J23, J24.
3. POWER UP SYSTEM

TO CONVERT FROM DISKLESS OPERATION TO DISK. FOLLOW STEPS 4-6.

4. POWER DOWN SYSTEM. REMOVE M622 MODULES LOCATED IN SLOTS H17, J23, AND J24. REPLACE M622 MODULES IN LOCATIONS H14, H15, AND H16.
5. REPLACE ALL CABLES REMOVED IN STEP #1.
6. POWER UP SYSTEM.

REV	CHANGE NO.	DATE
1	RP15-00007	12-14-70
2	RP15-00008	12-14-70
3	RP15-00008	12-14-70
4	RP15-00008	12-14-70
5	RP15-00008	12-14-70
6	RP15-00008	12-14-70
7	RP15-00008	12-14-70
8	RP15-00008	12-14-70

FIRST USED ON OPTION / MODEL PDP15		QTY.	DESCRIPTION	PART NO.	ITEM NO.
PARTS LIST					
UNLESS OTHERWISE SPECIFIED		DRN	DATE	digital EQUIPMENT CORPORATION MAYNARD, MASSACHUSETTS	
UNLESS OTHERWISE SPECIFIED		CHK'D	DATE	TITLE	
DIMENSION IN INCHES		ENG	DATE	ADJUSTMENT & MAINTENANCE	
TOLERANCES		PROJ. ENG.	DATE	SIZE CODE	
DECIMALS FRACTIONS ANGLES		PROD.	DATE	NUMBER	
± .005 ± 1/64 ± 0°30'		NEXT HIGHER ASSY		REV.	
FINAL SURFACE QUALITY REMOVE BURRS AND BREAK SHARP CORNERS		A-ML-RP15-0		B	
MATERIAL		SCALE		D SP RP15-0-57	
FINISH		SHEET 1 OF 1		DIST.	

**DIGITAL EQUIPMENT CORPORATION**  
MAYNARD, MASSACHUSETTS

**ENGINEERING SPECIFICATION**

DATE 7/15/74

TITLE RP15 CUSTOMER ACCEPTANCE PROCEDURE

**REVISIONS**

REV	DESCRIPTION	CHG NO	ORIG	DATE	APPD BY	DATE
-	ORIGINATED	RP15-00018	F. DOLL	8-74	F. Doll	8-74

1.0 This procedure contains the necessary information for on-site customer acceptance of the RP15 disk drive controller.

2.0 Required documents

2.1 RP15 check list (attached)

3.0 Preliminary checks:

3.1 Check that all items called out in the above check list are present.

3.2 Perform an overall quality check of the RP15 to verify that there are no mechanical or electrical defects, and that the general appearance is acceptable.

4.0 Diagnostic Testing

4.1 Run each of the following diagnostic programs:

MAINDEC-15-D5HB	Instruction Test
MAINDEC-15-DARPC-A	FORMATTER
MAINDEC-15-DARPB-A	ADDRESS TEST
MAINDEC-15-DARPA-C	RANDOM EXERCISOR

4.2 Program run times should be as follows:

	RP02	RP03	TIME
Instr. Test	One Pass Only		50 Min
Formatter	1 Pass	1 Pass	12 Min/25 Min
Address Test	2 Passes	1 Pass	16 Min/16 Min
Random Exercisor	2 Passes	1 Pass	2 Hr/2Hr

4.3 The following criteria shall be used to evaluate system reliability.

4.3.1 There can be no more than 1 seek error in  $10^6$  seeks. Since there will be less than  $10^4$  accumulated seeks during the running of all tests, 1 seek error constitutes an acceptance failure.

ENG <i>Fred Doll</i>	APPD <i>Fred Doll</i>	SIZE <b>A</b>	CODE <b>SP</b>	NUMBER RP15-0-60	REV
----------------------	-----------------------	---------------	----------------	------------------	-----

**ENGINEERING SPECIFICATION**

**digital**

CONTINUATION SHEET

TITLE RP15 CUSTOMER ACCEPTANCE PROCEDURE

4.3.2 There can be no more than 1 read error in  $10^9$  bits read. One pass of the Random Exercisor will read  $.88 \times 10^9$  (RP02) or  $1.76 \times 10^9$  (RP03) bits, therefore more than 1 read error in the specified run time constitutes an acceptance failure..

4.3.3 There can be no more than 1 write error in  $10^{10}$  bits written. Since only  $1.8 \times 10^9$  bits are written during the running of all tests, 1 write error constitutes an acceptance failure.

4.3.4 Definitions

Read Error: An error is detected when reading a disk sector. The data can be recovered by performing a sequence of 10 rereads, one re-access to the same track following a home seek, and 10 more rereads.

Write Error: An error is detected, but the data cannot be recovered through the sequence described above.

Seek Error: The drive does not properly position itself in response to a seek command.

4.3.5 Pack Attributable Errors

Due to the higher recording density of the RP03 errors may occur during use or testing that do not indicated drive failure.

Any data error, either read or write, which occurs more than once in the same cylinder, surface, sector, and word (+ 0 words) is a pack attributable error and as such should not be included in the reliability error total.

Of the possible 8120 tracks on an RP02P disk pack, no more than 60 tracks may contain an unuseable area. For RP02's no more than 30 tracks may contain unuseable areas.

SIZE <b>A</b>	CODE <b>SP</b>	NUMBER RP15-0-60	REV
---------------	----------------	------------------	-----

This drawing and specifications, herein, are the property of Digital Equipment Corporation and shall not be reproduced or copied or used in whole or in part as the basis for the manufacture or sale of items without written permission.



TITLE RP15 CUSTOMER ACCEPTANCE PROCEDURE

RP15 CHECKLIST

CUSTOMER:  
CHECKER:

DEC #:  
DATE:

I. RP15

- A. I/O BUS CABLE (BC09-B) \_\_\_\_\_
- B. REMOTE POWER CABLE (EXTENSION CORD) \_\_\_\_\_
- C. DIAGNOSTIC TAPES, WRITE-UPS & LISTINGS \_\_\_\_\_
  - 1. Formatter MAINDEC-15-DARPC-A \_\_\_\_\_
  - 2. Instruction Test MAINDEC-15-D5HB \_\_\_\_\_
  - 3. Address Test MAINDEC-15-DARPB-A \_\_\_\_\_
  - 4. Random Data Test MAINDEC-15-DARPA-C \_\_\_\_\_
- D. RP15 MAINTENANCE MANUAL \_\_\_\_\_
- E. RP15 PRINT SET \_\_\_\_\_
- F. RP02 CLEANING KIT \_\_\_\_\_
- G. TERMINATOR FOR LAST UNIT \_\_\_\_\_
- H. E.C.O. STATUS SHEET \_\_\_\_\_
- I. FUSE, 5 AMP SLO-BLOW (5) \_\_\_\_\_

II. RP02/RP03

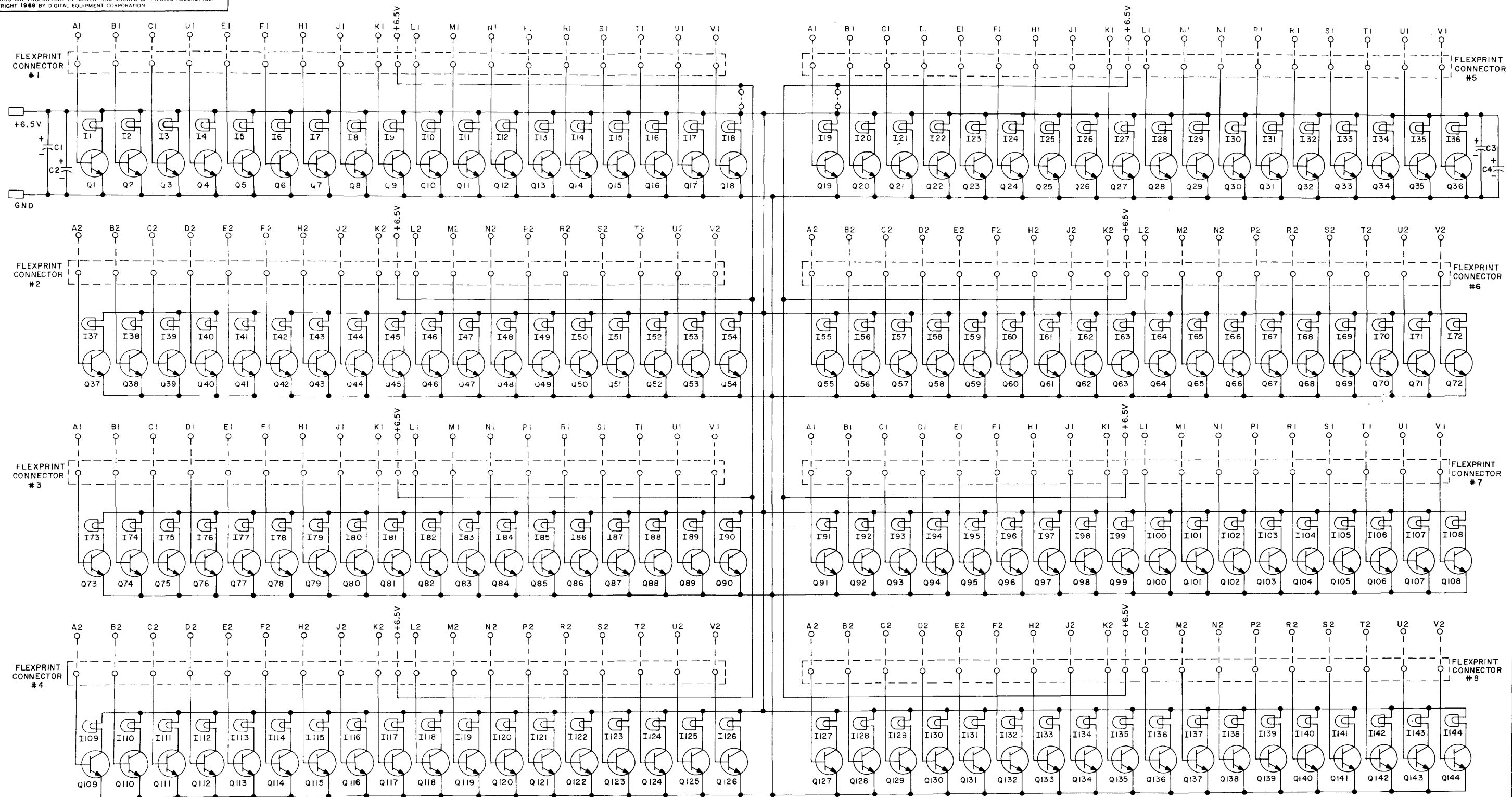
- A. UNIT CABLE \_\_\_\_\_
- B. BUS CABLE \_\_\_\_\_
- C. POWER CABLE \_\_\_\_\_
- D. MAINTENANCE MANUALS (2) \_\_\_\_\_
- E. SPARE PACK FILTER (1 PER PACK) \_\_\_\_\_
- F. DISK PACK (RP02P) \_\_\_\_\_
- \* G. DISK PACK LOG \_\_\_\_\_
- \* H. INSERT KIT, FILE IDENTIFICATION \_\_\_\_\_
- \* I. KICK PLATE, SIDE (2) \_\_\_\_\_
- \* J. KICK PLATE FRONT & REAR (2) \_\_\_\_\_
- \* K. CUP, CASTOR (4) \_\_\_\_\_
- \* L. SCREW, BINDER HD. #8-32 x .30 (12) \_\_\_\_\_

\*RP02 ONLY

SIZE A	CODE SP	NUMBER RP15-0-60	REV
-----------	------------	---------------------	-----



THIS SCHEMATIC IS FURNISHED ONLY FOR TEST AND MAINTENANCE PURPOSES. THE CIRCUITS ARE PROPRIETARY IN NATURE AND SHOULD BE TREATED ACCORDINGLY. COPYRIGHT 1969 BY DIGITAL EQUIPMENT CORPORATION.



UNLESS OTHERWISE INDICATED:  
 TRANSISTORS ARE DEC3009B  
 O--O INDICATES JUMPER  
 CAPACITORS ARE 39MFD 10V 10%  
 LAMPS ARE 1209219

REVISIONS CHECKING NO. REV. A 00001 00003 P	DRN M. Keller DATE 8-3-69	DATE 9-15-69	TRANSISTOR & DIODE CONVERSION CHART REF. EIA DEF. FIA DEC3009B 2N3009	<b>digital</b> EQUIPMENT CORPORATION MAYNARD, MASSACHUSETTS	TITLE PERIPHERAL INDICATOR PANEL 5408458	SIZE CODE NUMBER D CS 5408458-0-1 REV PRINTED CIRCUIT REV. B
--	------------------------------------	-----------------	---	---	---	--



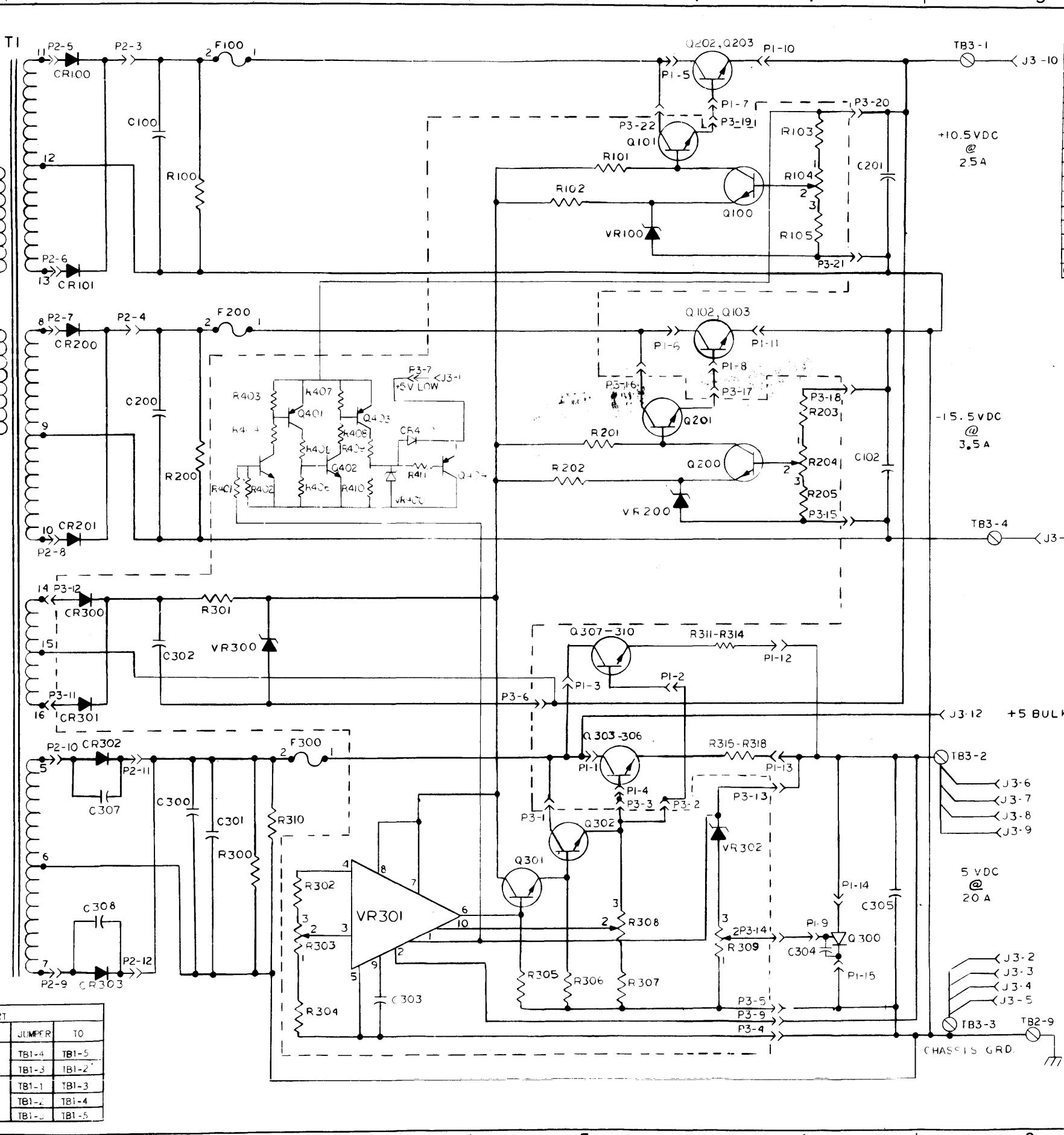
This drawing and specifications, herein, are the property of Digital Equipment Corporation and shall not be reproduced or copied or used in whole or in part as the basis for the manufacture or sale of items without written permission.

D

C

B

A



REVISIONS		
CHK	CHANGE NO.	REV.
H721-00004		A
E. SHAOUL		
H721-00006		B
P. KOTSCHENRUTHER		
H721-00007		C
KOTSCHENRUTHER		

INPUT	CONNECTION	JUMPER	TO
220 VAC	TB2-1 AND TB2-2	TB1-4	TB1-5
		TB1-3	TB1-2
110 VAC	TB2-1 AND TB2-2	TB1-1	TB1-3
		TB1-4	TB1-4
		TB1-5	TB1-5

COMPONENT CHART

CKT REF	DESCRIPTION	CKT. REF	DESCRIPTION
R401	1.7K 1/2 1/8 W	A1	P. C. CARD ASS'Y.
R402	297.12 1/8 W	B1	FAN
R403-408	1K 5/8 1/4 W	C100	CAPACITOR 12,000 MFD @ 30 VDC
R409	8240 2 W	C102, 201	CAPACITOR 100 MFD @ 25 VDC
R410	100 1/2 1 W	C200	CAPACITOR 19,000 MFD @ 40 VDC
R411	10 1/2 1/4 W	C307, 308	CAPACITOR 1.0 MFD @ 50 VDC
Q407	DEC 6531E	C300, 301	CAPACITOR 50,000 MFD @ 25 VDC
Q402	DEC 6531E	C302	CAPACITOR 500 MFD @ 25 VDC
Q401	DEC 6534E	C303	CAPACITOR 0.0022 MFD @ 100 VDC
Q403	DEC 6534E	C304	CAPACITOR 0.68 MFD @ 35 VDC
Q404	DEC 6534E	C305	CAPACITOR 270 MFD @ 15 V
VR400	1N751A	T1	TRANSFORMER
CR400	DEC664	CR100, 101	DIODE BRIDGE 1N1201A
		CR200, 201	"
		CR300, 301	DIODE 1N645
		CR302, 303	DIODE 1N1185A
F100	FUSE 3A AGC		
F200	FUSE 5A AGC		
F300	FUSE 25A AGC		
F400	FUSE 12A ABC		
Q302	TRANSISTOR 2N3055		
Q100, 200	TRANSISTOR 2N1613		
Q301	"		
Q101, 201	TRANSISTOR 2N3054		
Q303-310	TRANSISTOR 2N3055		
Q102, 103	"		
Q202, 203	"		
Q300	S. C. R. C30U		
R100	RESISTOR 125 Ω 10 W 5%		
R101	RESISTOR 5600 1 W 5%		
R102, 201	RESISTOR 15000 1 W 10%		
R103	RESISTOR 681 Ω 1/2 W 1%		
R104, 204	POT. 5000 3/4 W ±10%		
R303, 308	"		
R105, 205	RESISTOR 9090 1/8 W 1%		
R200	RESISTOR 350 Ω 25 W 5%		
R202	RESISTOR 2.7K 1 W 5%		
R203	RESISTOR 1.62 K 1/4 W 1%		
R300, 310	RESISTOR 1000 25 W 5%		
R301	RESISTOR 68 Ω 2 W 5%		
R302	RESISTOR 7500 1/2 W 1%		
R304	RESISTOR 2.2 K 1/2 W 5%		
R305	RESISTOR 2K 1/2 W 5%		
R306	RESISTOR 1K 1/2 W 5%		
R307	RESISTOR 6800 1/2 W 5%		
R309	POT. 500 3/4 W ±20%		
R311-R318	RESISTOR 0.1 Ω 5 W 5%		
S1	THERMOSTAT		
VR100, 200	ZENER 1N751A		
VR300	"		
VR301	I.C. REG. UA723C		
VR302	ZENER 1N750A		

FIRST USED ON OPTION/MOD	QTY.	DESCRIPTION	PART NO.	ITEM NO.
PDP-15				
PARTS LIST				
UNLESS OTHERWISE SPECIFIED				
DIMENSION IN INCHES				
TOLERANCES				
DECIMALS	FRACTIONS	ANGLES		
±.005	± 1/64	± 0°30'		
FINAL SURFACE QUALITY				
REMOVE BURRS AND BREAK SHARP CORNERS				
MATERIAL	FINISH	SCALE	SIZE CODE	NUMBER
			D/C S	H721-0-1
NEXT HIGHER ASSY				
SHEET / OF /				