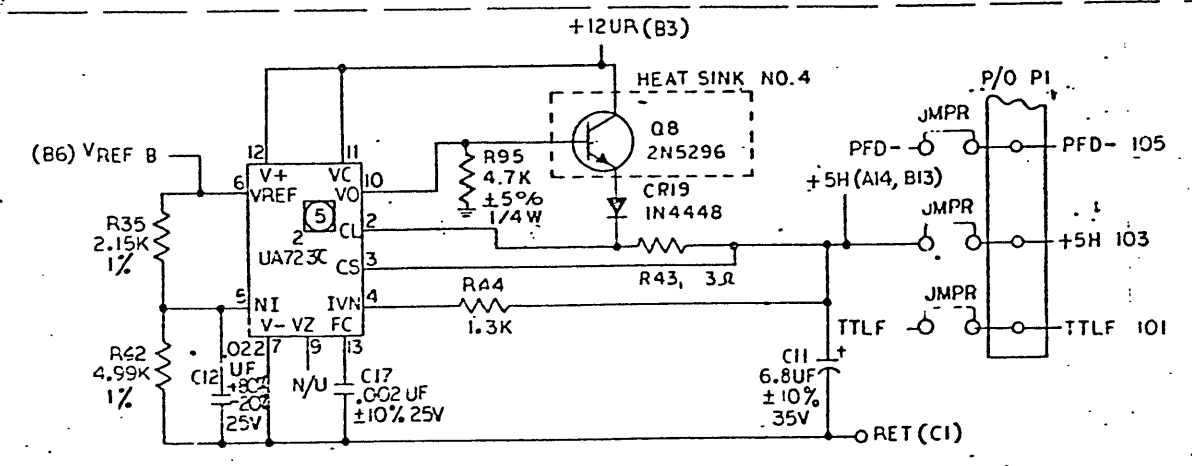
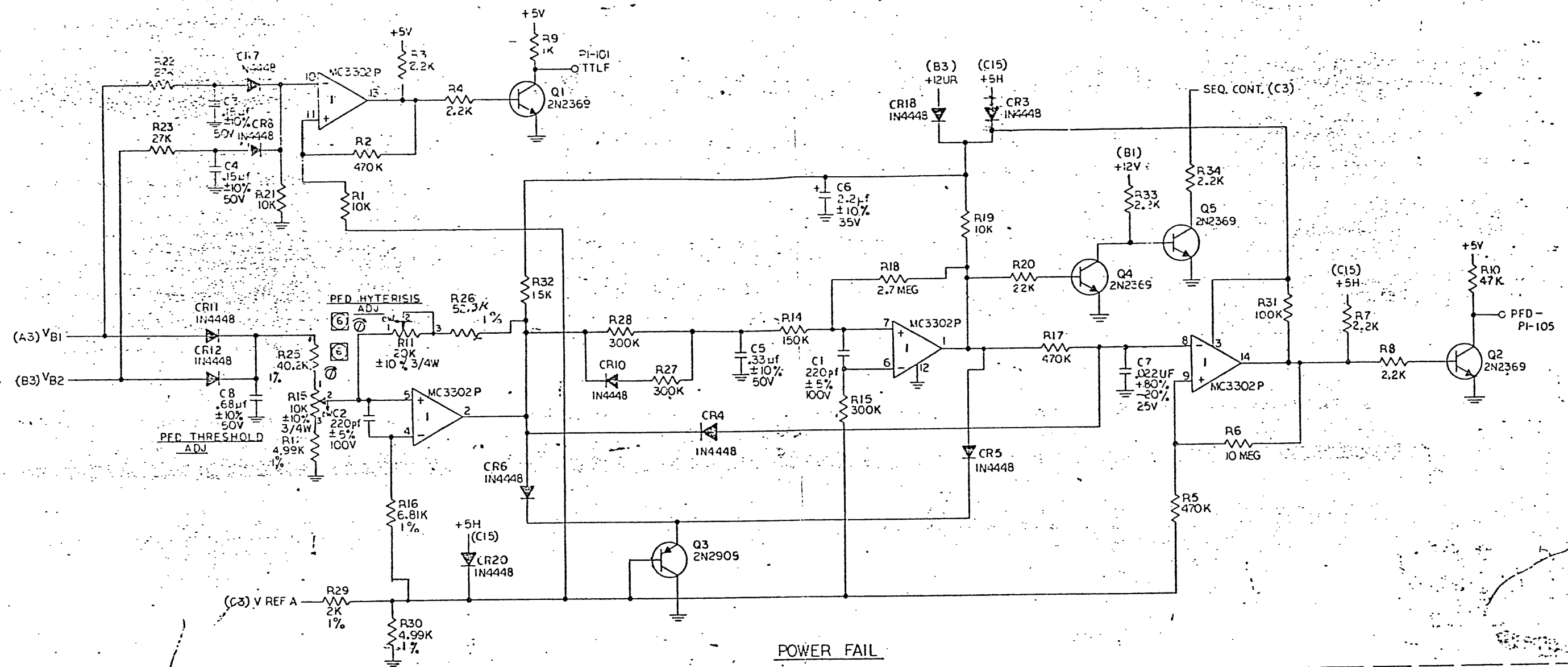


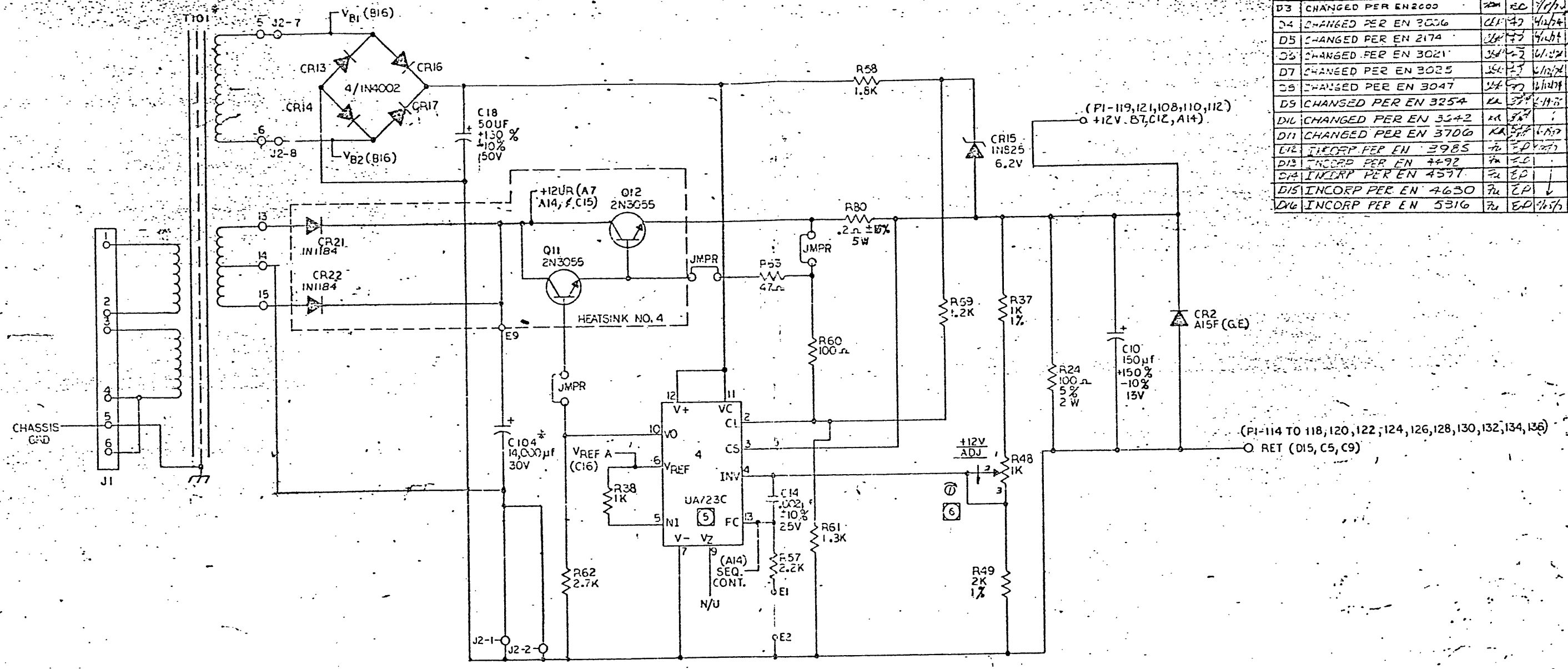
REVISIONS		DATE	APPROVAL
SYM	DESCRIPTION		



PROPRIETARY RIGHTS NOTICE
 THIS DOCUMENT AND INFORMATION THAT IT CONTAINS ARE THE PROPERTY OF COMPUTER AUTOMATION, INC. RIGHTS TO REPRODUCE OR TRANSMIT IN ANY FORM OR BY ANY MEANS, OR TO DISCLOSE THE CONTENTS OF THIS DOCUMENT TO OTHERS AND THE RIGHT TO USE THE INFORMATION CONTAINED THEREIN, MAY BE ACCORDED ONLY BY WRITTEN PERMISSION ISSUED BY A duly authorized OFFICER OF COMPUTER AUTOMATION, INC.

SIZE	D	75-53502-00	REV	16
SCALE			CHT. A	

REVISIONS					
REV	DESCRIPTION	DR	CH	DATE	APPROVAL
B0	ENGINEERING RELEASE	15		6/2/73	
C0	ENGINEERING RELEASE	ES		7/10/73	
D0	PILOT RELEASE PER EN 1291	72		6/27/73	
D1	REVISED PER EN 1442			1/17/74	
D2	REVISED AND PRODUCTION RELEASE PER EN 1540			4/17/74	
D3	CHANGED PER EN 2000			7/11/74	
D4	CHANGED PER EN 2006			7/17/74	
D5	CHANGED PER EN 2174			9/18/74	
D6	CHANGED PER EN 3021			6/1/74	
D7	CHANGED PER EN 3025			6/10/74	
D8	CHANGED PER EN 3047			6/10/74	
D9	CHANGED PER EN 3254			7/11/74	
D10	CHANGED PER EN 3242			7/11/74	
D11	CHANGED PER EN 3700			6/10/74	
D12	INCORP PER EN 3985			7/11/74	
D13	INCORP PER EN 4492			7/11/74	
D14	INCORP PER EN 4577			7/11/74	
D15	INCORP PER EN 4630			7/11/74	
D16	INCORP PER EN 5316			7/11/74	



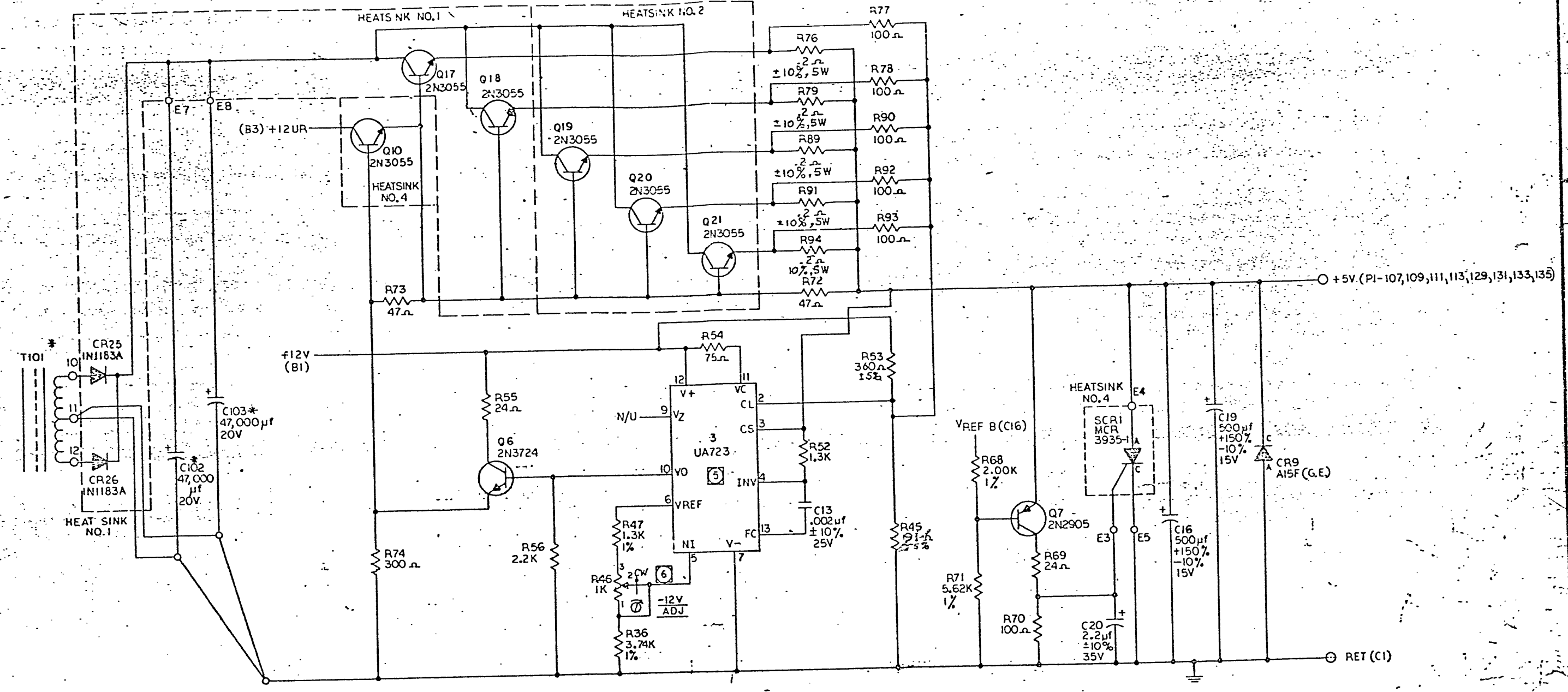
(S) (7) DENOTES SCREW ADJUSTMENT FOR POTENTIOMETER
 SEE SHEET 3 FOR PIN ASSIGNMENT AND SCHEMATIC OF UA723C
 * DENOTES ITEM IS PART OF TOP ASSEMBLY DRAWING NO. 71-10044-00. REMAINING COMPONENTS ARE ON P.W. ASSY. DRAWING 73-53502-00
 1. ALL 1/2W RESISTORS ARE 1/4W. RN 60 TYPE.
 2. ALL CAPACITOR VALUES ARE MICROFARADS.
 3. ALL RESISTORS ARE 5%, 1/2W. RC20 TYPE.

NOTES: UNLESS OTHERWISE SPECIFIED

PROPRIETARY RIGHTS NOTICE
 THIS DOCUMENT AND INFORMATION THEREIN CONTAINS AND THE PROPRIETARY OF COMPUTER AUTOMATION, INC. RIGHTS TO DESIGN, INVENTION, AND SUCH INFORMATION TO OTHERS AND THE RIGHT TO USE THE INFORMATION CONTAINED THEREIN, MAY BE ACQUIRED ONLY BY THE PERMISSION ISSUED BY A DULY AUTHORIZED OFFICER OF COMPUTER AUTOMATION, INC.

NOTES UNLESS SPECIFIED		DR	CHK	DATE	COMPUTER AUTOMATION INC.	
1. TOLERANCES	ANGULAR				TITLE	
XX = .03	±.01				SCHEMATIC DIAGRAM	
2. BREAK ALL SHARP EDGES	.010 APPROX.				POWER SUPPLY	
3. ALL DIM. IN INCHES					SIZE DWG. NO.	
					D 75-53502-00	
					REV	
					D16	
					DO NOT SCALE DRAWING	
					SCALE	
					SHT. 1 OF 1	

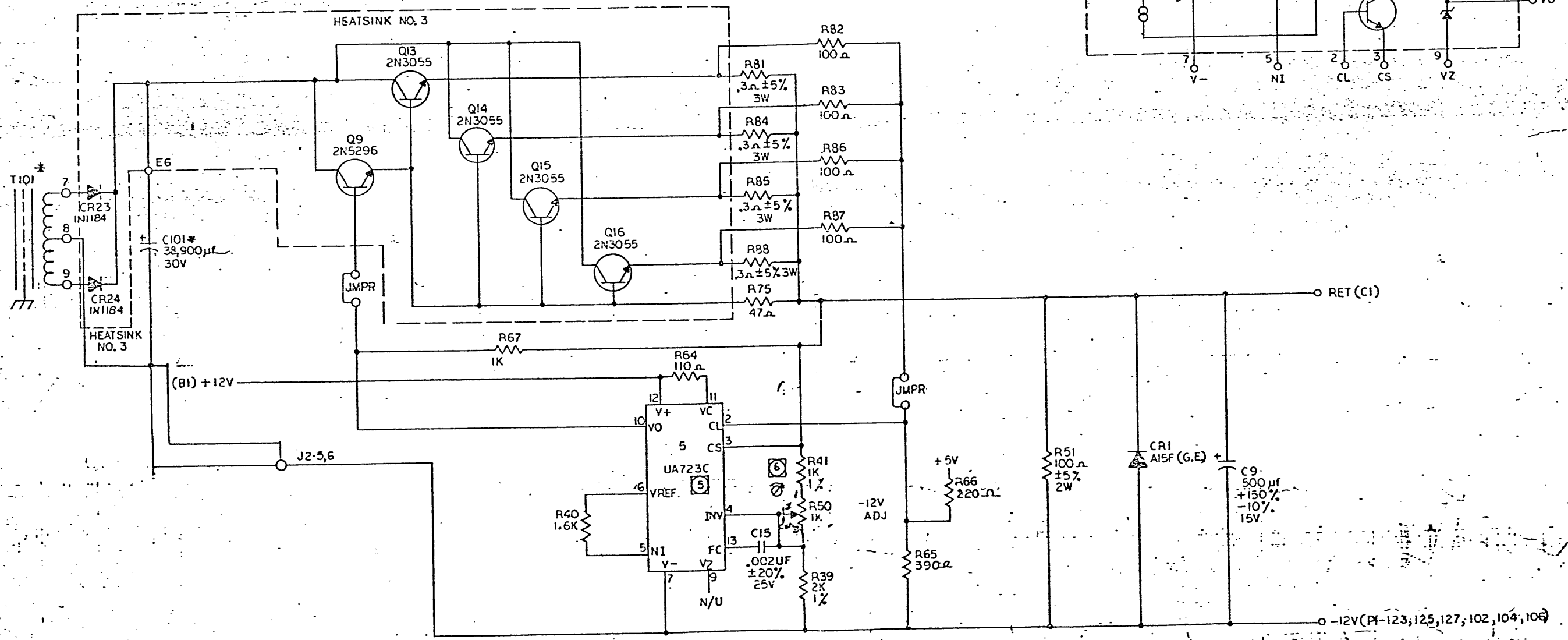
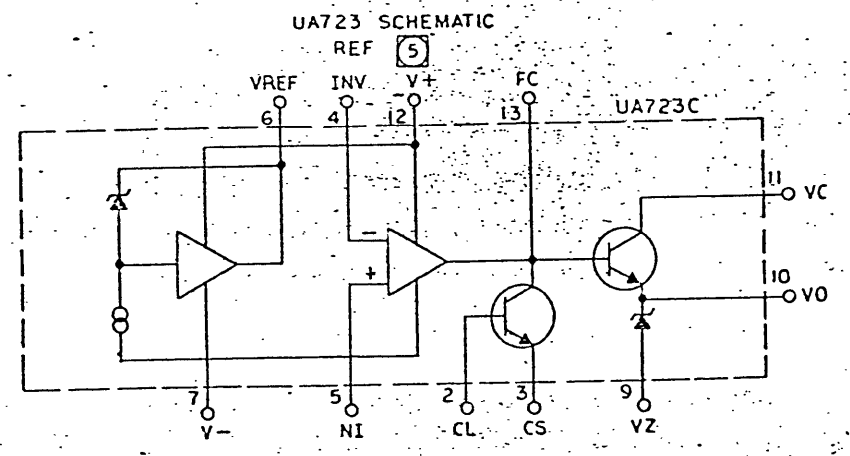
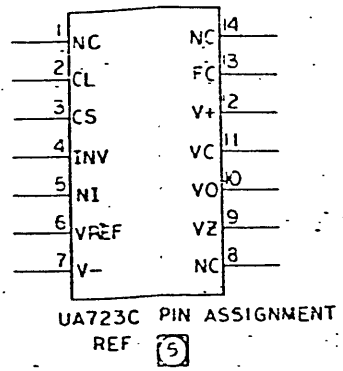
REVISIONS			
SYM	DESCRIPTION	DATE	APPROVAL



PROPRIETARY RIGHTS NOTICE
 THIS DOCUMENT AND INFORMATION THAT IT CONTAINS ARE THE PROPERTY OF COMPUTER AUTOMATION, INC. RIGHTS TO DUPLICATE OR OTHERWISE COPY THIS DOCUMENT AND RIGHTS TO BACKLOG THE DOCUMENT AND SUCH INFORMATION TO OTHERS AND THE RIGHT TO USE THE INFORMATION CONTAINED THEREIN, MAY BE ACQUIRED ONLY BY WRITTEN PERMISSION SHOWED BY A DULY AUTHORIZED OFFICER OF COMPUTER AUTOMATION, INC.

SIZE D	75-53502-00	REV D16
SCALE =	SHEET 2 OF 4	

REVISIONS		
SYM	DESCRIPTION	DATE APPROVAL



PROPRIETARY RIGHTS NOTICE
 THIS DOCUMENT AND INFORMATION CONTAINED HEREIN ARE THE PROPERTY OF ELECTRONIC AUTOMATION, INC. RIGHTS RESERVED OR OTHERWISE FROM THE DOCUMENT AND INFORMATION TO WHICH THE RIGHTS ARE RESERVED. NO PART OF THIS DOCUMENT CONTAINED THEREIN MAY BE REPRODUCED OR TRANSMITTED IN ANY FORM OR BY ANY MEANS WITHOUT PERMISSION IN WRITING FROM ELECTRONIC AUTOMATION, INC.

SIZE	D	75-53502-00	316
SCALE	—		SET 3 OF 4