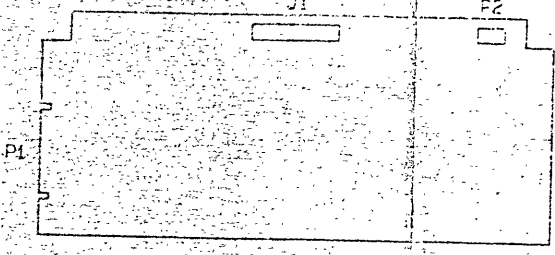
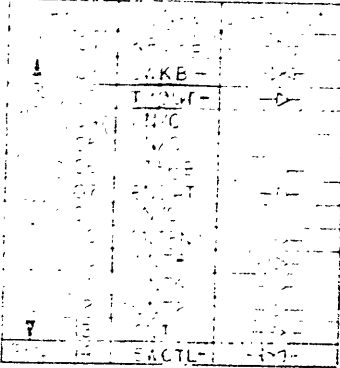


11						
12						
13						
14						
15						
16						
17						
18						
19						
20						
21						
22						
23						
24						
25						
26						
27						
28						
29						
30						
31						
32						
33						
34						
35						
36						
37						
38						
39						
40						
41						
42						
43						
44						
45						
46						
47						
48						
49						
50						
51						
52						
53						
54						
55						
56						
57						
58						
59						
60						
61						
62						
63						
64						
65						
66						
67						
68						
69						
70						
71						
72						
73						
74						
75						
76						
77						
78						
79						
80						
81						
82						
83						
84						
85						
86						
87						
88						
89						
90						
91						
92						
93						
94						
95						
96						
97						
98						
99						
100						
101						
102						
103						
104						
105						
106						
107						
108						
109						
110						
111						
112						
113						
114						
115						
116						
117						
118						
119						
120						
121						
122						
123						
124						
125						
126						
127						
128						
129						
130						
131						
132						
133						
134						
135						
136						
137						
138						
139						
140						
141						
142						
143						
144						
145						
146						
147						
148						
149						
150						
151						
152						
153						
154						
155						
156						
157						
158						
159						
160						
161						
162						
163						
164						
165						
166						
167						
168						
169						
170						
171						
172						
173						
174						
175						
176						
177						
178						
179						
180						
181						
182						
183						
184						
185						
186						
187						
188						
189						
190						
191						
192						
193						
194						
195						
196						
197						
198						
199						
200						



COMPONENT SIDE

REVISIONS					
REV	DESCRIPTION	DR	CH	DATE	APP
1	ENGINEERING RELEASE				
2					
3					
4					
5	INCORPORATED EN 1428				
B6	INCORPORATED EN 1428				
	SEE EN 1428				
	SEE EN 1453				
	SEE EN 1462				
B3	CHANGED PER EN 1462				
B4	CHANGED PER EN 1462				
B12	CHANGED PER EN 1480				
B13	CHANGED PER EN 1757				
B14	CHANGED PER EN 2019				
B15	CHANGED PER EN 3166				

- 6. ALL CAPACITORS ARE .022UF, 25V ±10%
- 5. —▷ DENOTE OUTPUT SIGNALS
- ◁ DENOTE INPUT SIGNALS
- ↔ DENOTE BIDIRECTIONAL SIGNALS
- 4. ALL RESISTORS ARE 1/4W, 5% AND V-VALUE ARE IN OHMS.
- 3. SYMBOL △ REFERS TO CONNECTOR P3.
- 2. SYMBOL □ REFERS TO CONNECTOR P1.
- 1. SYMBOL ○ REFERS TO CONNECTOR J1.

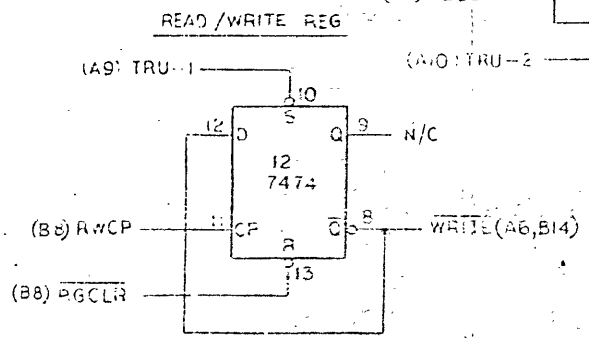
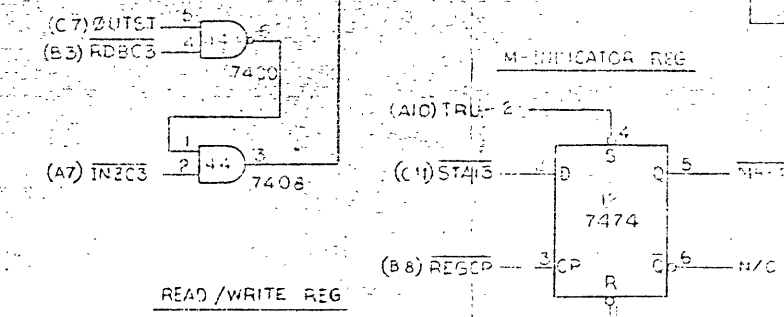
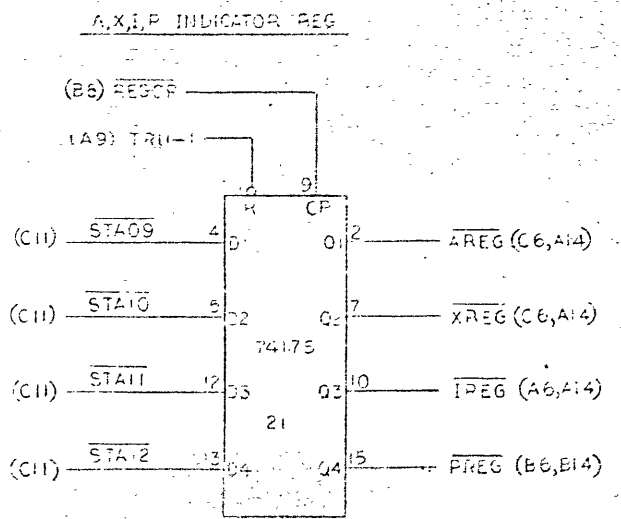
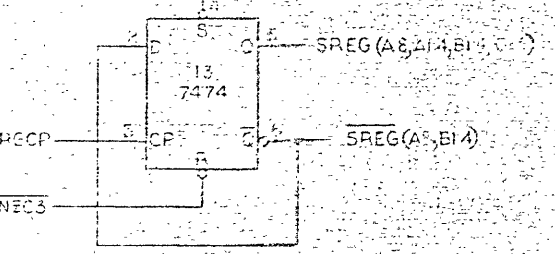
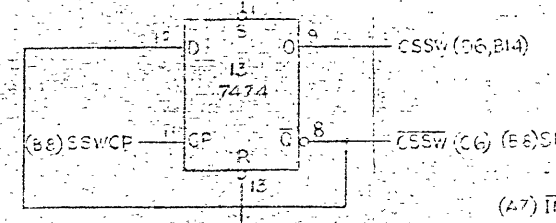
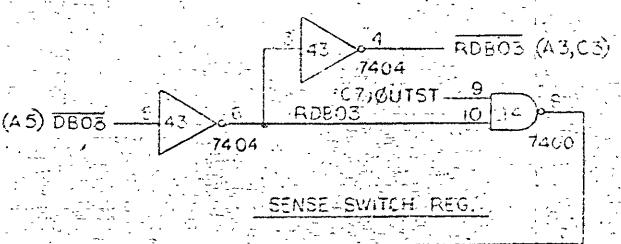
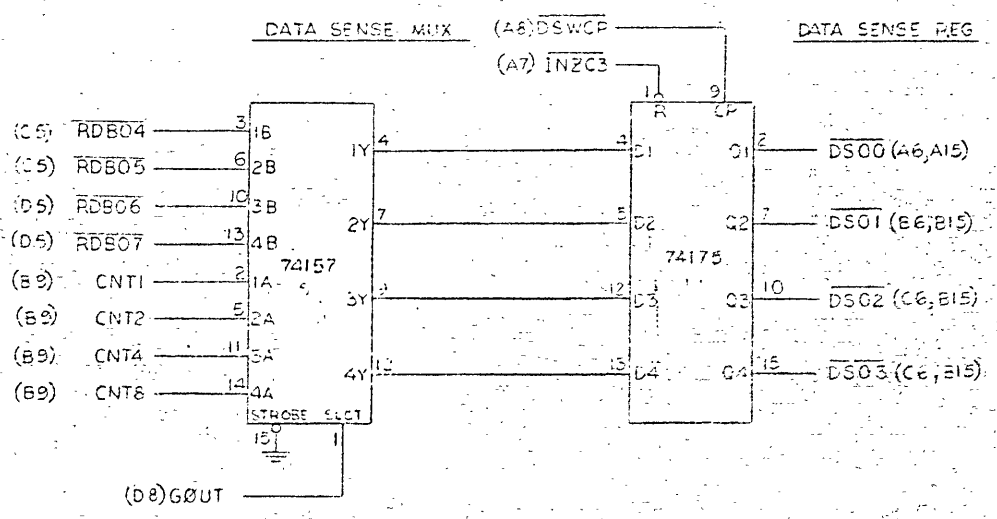
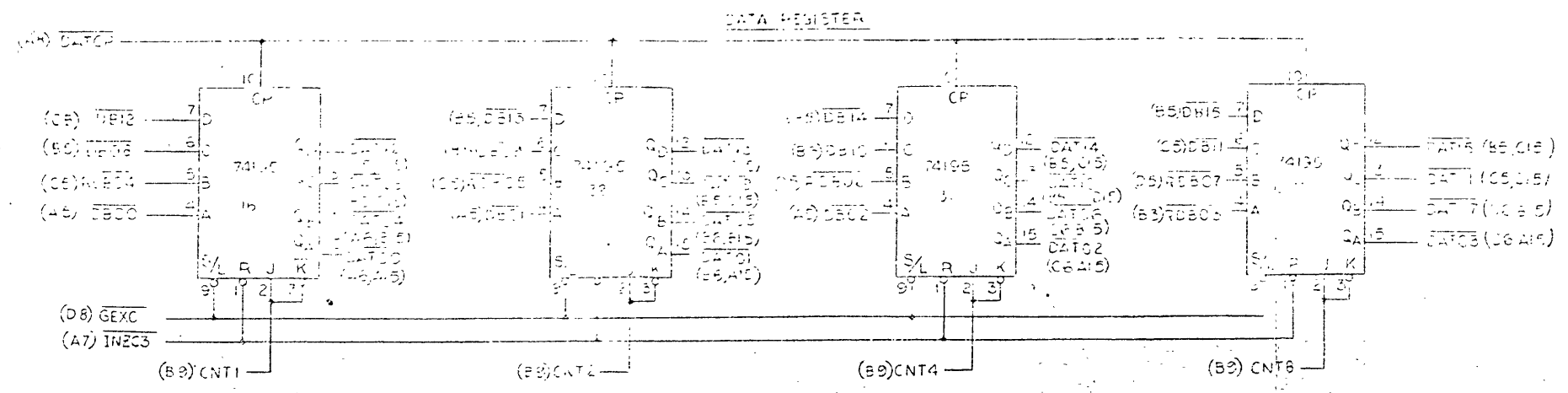
NOTES: UNLESS OTHERWISE SPECIFIED

PROPRIETARY RIGHTS NOTICE
 THIS DOCUMENT AND INFORMATION THAT IT CONTAINS ARE THE PROPERTY OF COMPUTER AUTOMATION, INC. RIGHTS TO DUPLICATE OR OTHERWISE COPY THIS DOCUMENT AND RIGHTS TO DISCLOSE THE DOCUMENT AND SUCH INFORMATION TO OTHERS AND THE RIGHT TO USE THE INFORMATION CONTAINED THEREIN, MAY BE ACQUIRED ONLY BY WRITTEN PERMISSION SIGNED BY A DULY AUTHORIZED OFFICER OF COMPUTER AUTOMATION, INC.

NOTES UNLESS SPECIFIED		COMPUTER AUTOMATION, INC.	
1. TOLERANCES .XX ±.03 ANGULAR .XXX ±.010	2. BREAK ALL SHARP EDGES .010 APPROX.	3. ALL DIM. IN INCHES	4. NEXT ASSEMBLY'S
DATE: 10/1/75		DRAWN: J. J. J.	
SIZE: D		DWG. NO.: 75-53501-00	
DO NOT SCALE DRAWING	SCALE: 1"=1"	SHT. 1 OF 1	

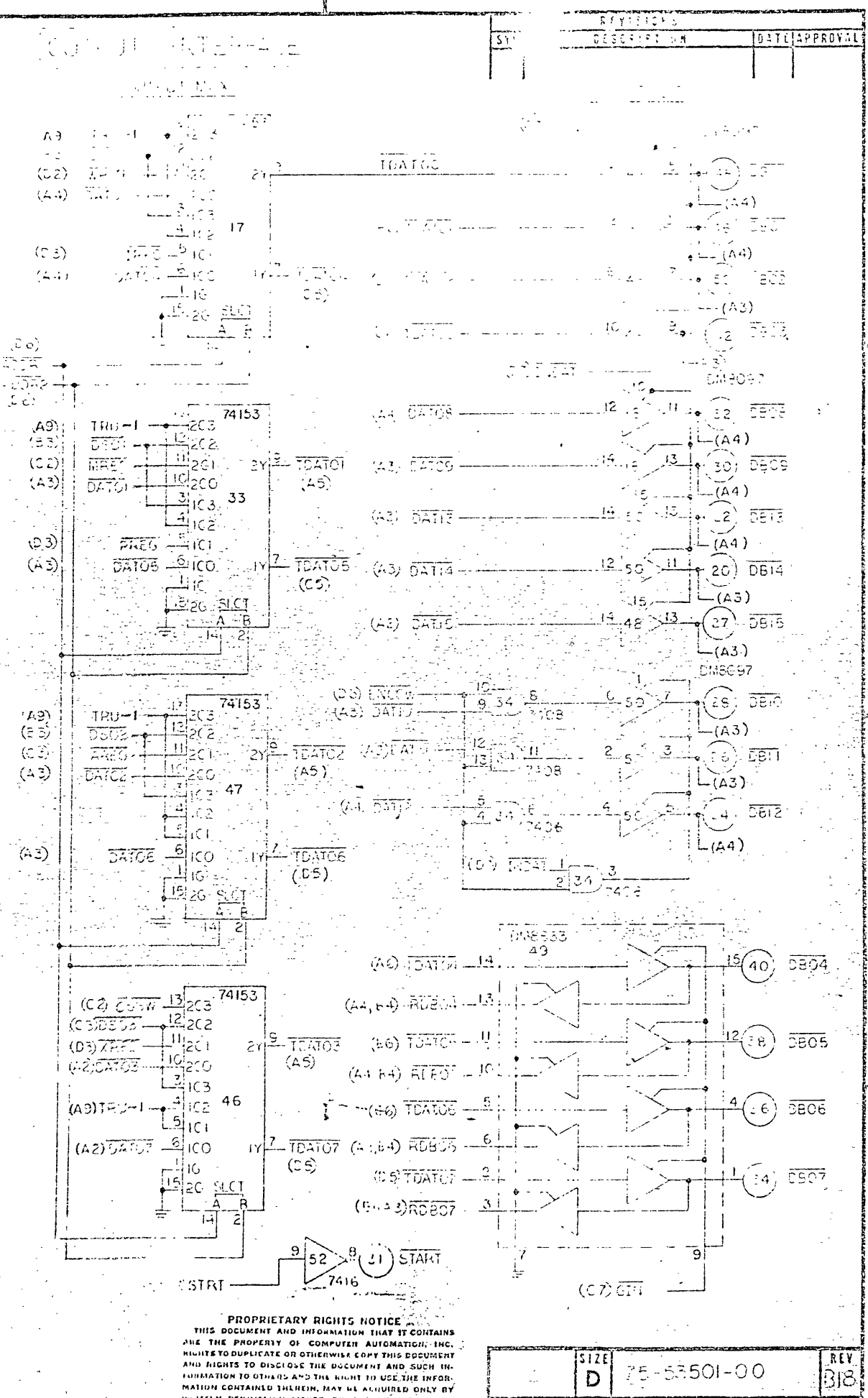
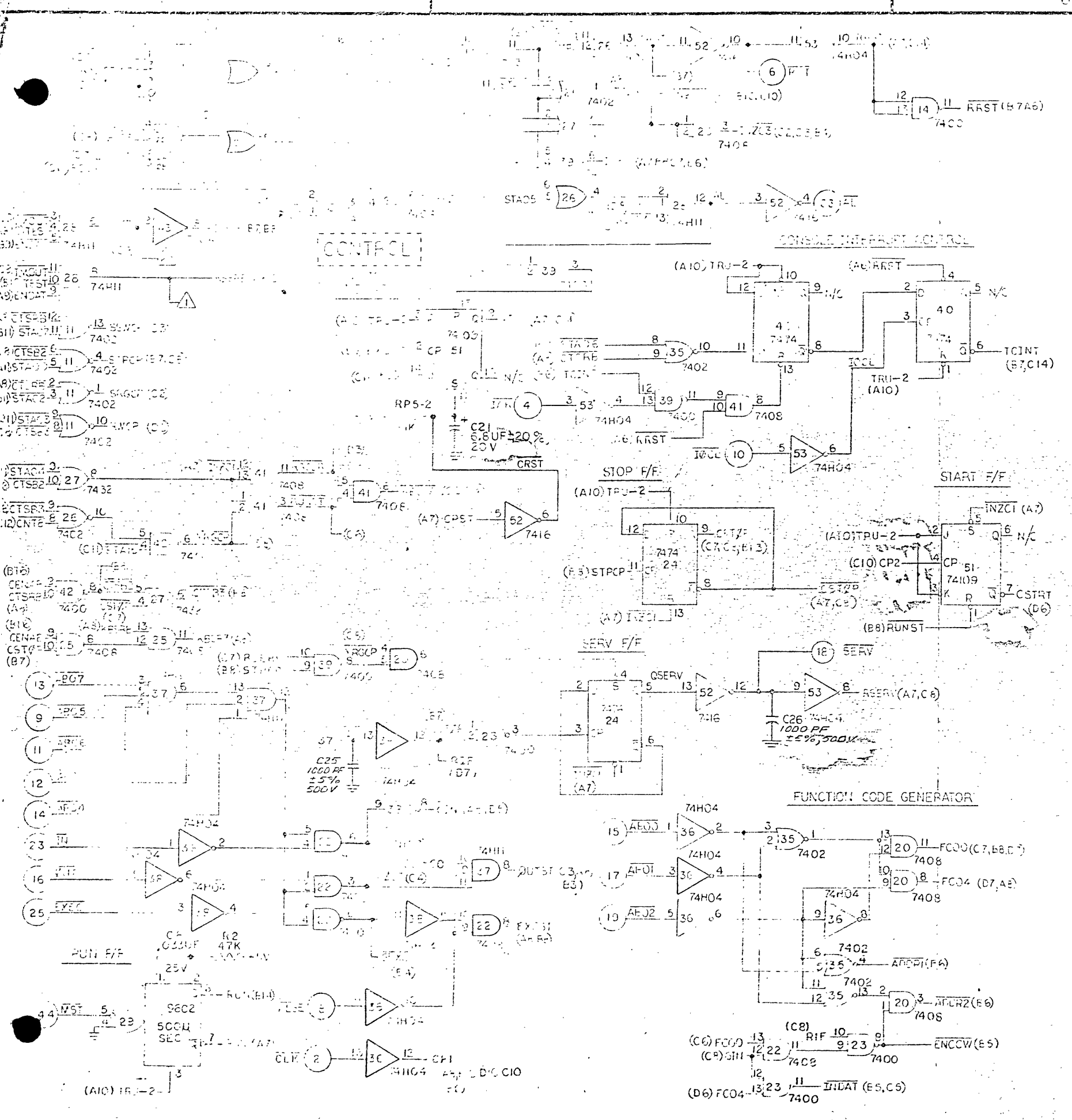
STORAGE

REV	DATE	APP'D



PROPRIETARY RIGHTS NOTICE
 THIS DOCUMENT AND INFORMATION THAT IT CONTAINS ARE THE PROPERTY OF COMPUTER AUTOMATION, INC. RIGHTS TO DUPLICATE OR OTHERWISE COPY THIS DOCUMENT AND RIGHTS TO DISCLOSE THE DOCUMENT AND SUCH INFORMATION TO OTHERS AND THE RIGHT TO USE THE INFORMATION CONTAINED THEREIN, MAY BE ACQUIRED ONLY BY WRITTEN PERMISSION SIGNED BY A DULY AUTHORIZED OFFICER OF COMPUTER AUTOMATION, INC.

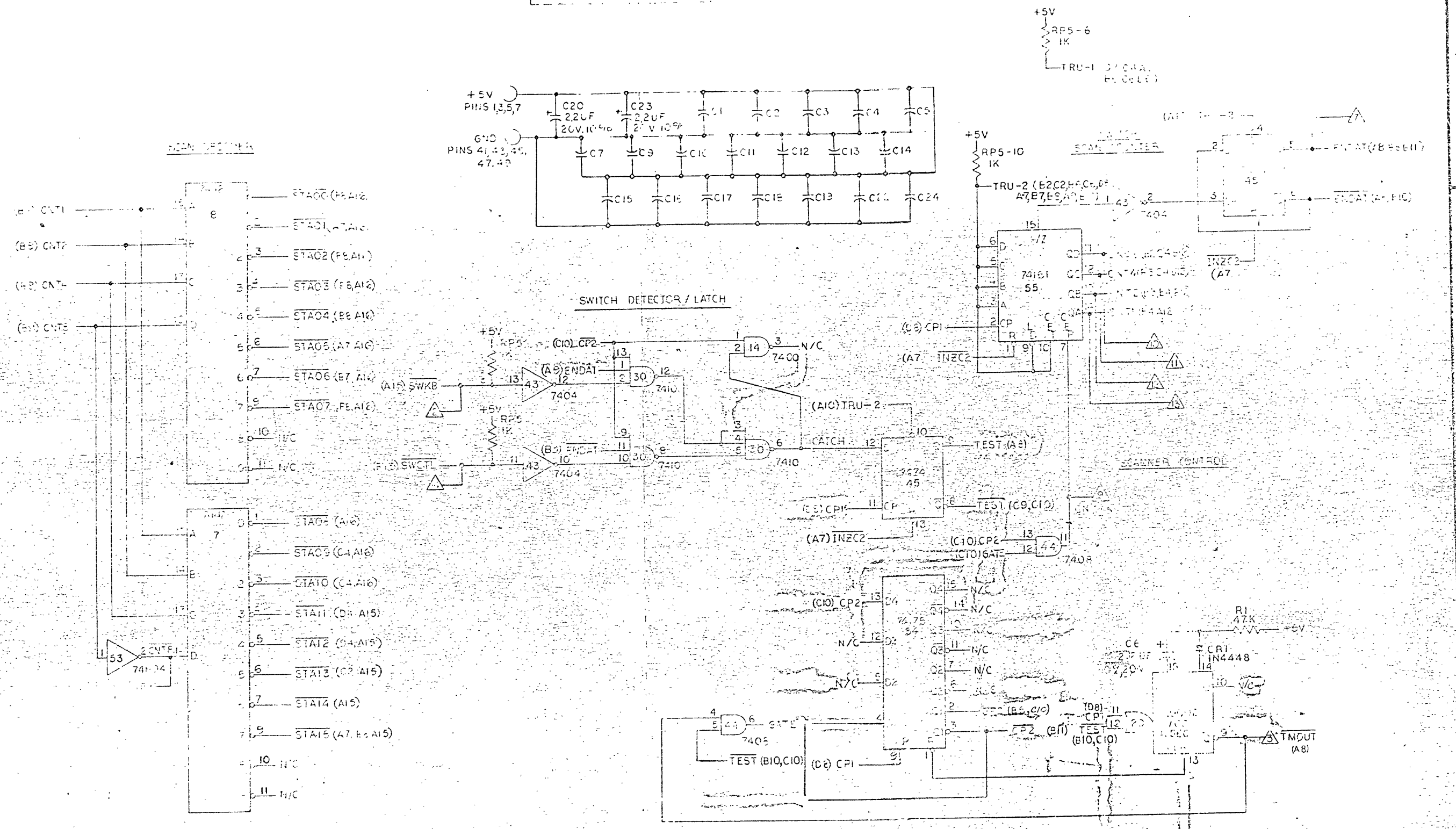
SIZE	DWG. NO.	REV.
D	75-53501-00	B18
DO NOT SCALE DRAWING	SCALE	SHT. 2 OF 5



SIZE	75-53501-00	REV	318
D			
SCALE		SHT.	3 OF 5

KEYBOARD CONTROL

REVISIONS			
SYN	DESCRIPTION	DATE	APPROVAL



PROPRIETARY RIGHTS NOTICE
 THIS DOCUMENT AND INFORMATION THAT IT CONTAINS ARE THE PROPERTY OF COMPUTER AUTOMATION, INC. RIGHTS TO DUPLICATE OR OTHERWISE COPY THIS DOCUMENT AND RIGHTS TO DISCLOSE THE DOCUMENT AND SUCH INFORMATION TO OTHERS AND THE RIGHT TO USE THE INFORMATION CONTAINED THEREIN, MAY BE ACQUIRED ONLY BY WRITTEN PERMISSION SIGNED BY A DULY AUTHORIZED OFFICER OF COMPUTER AUTOMATION, INC.

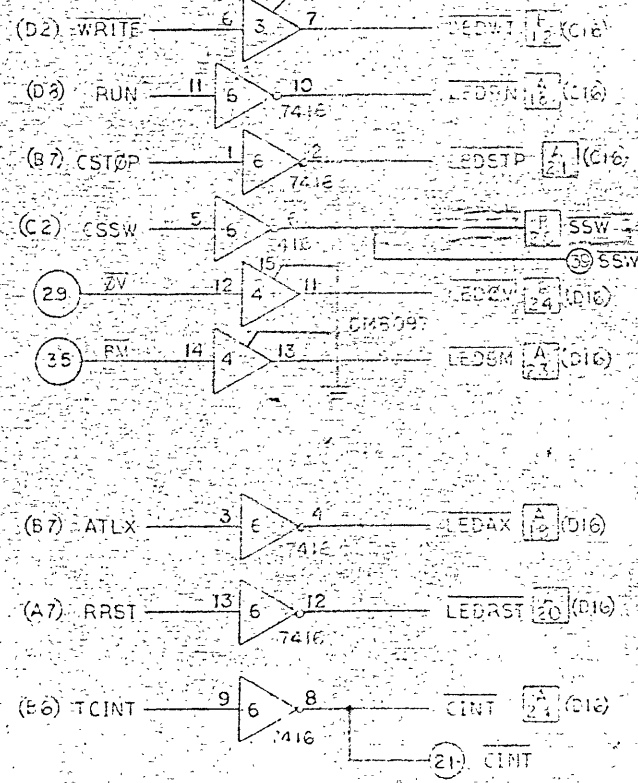
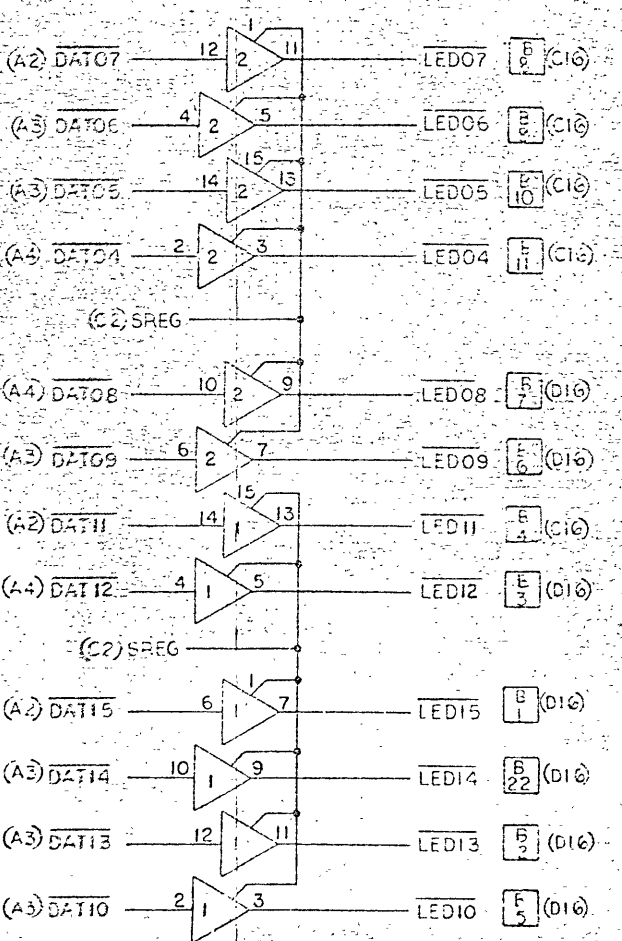
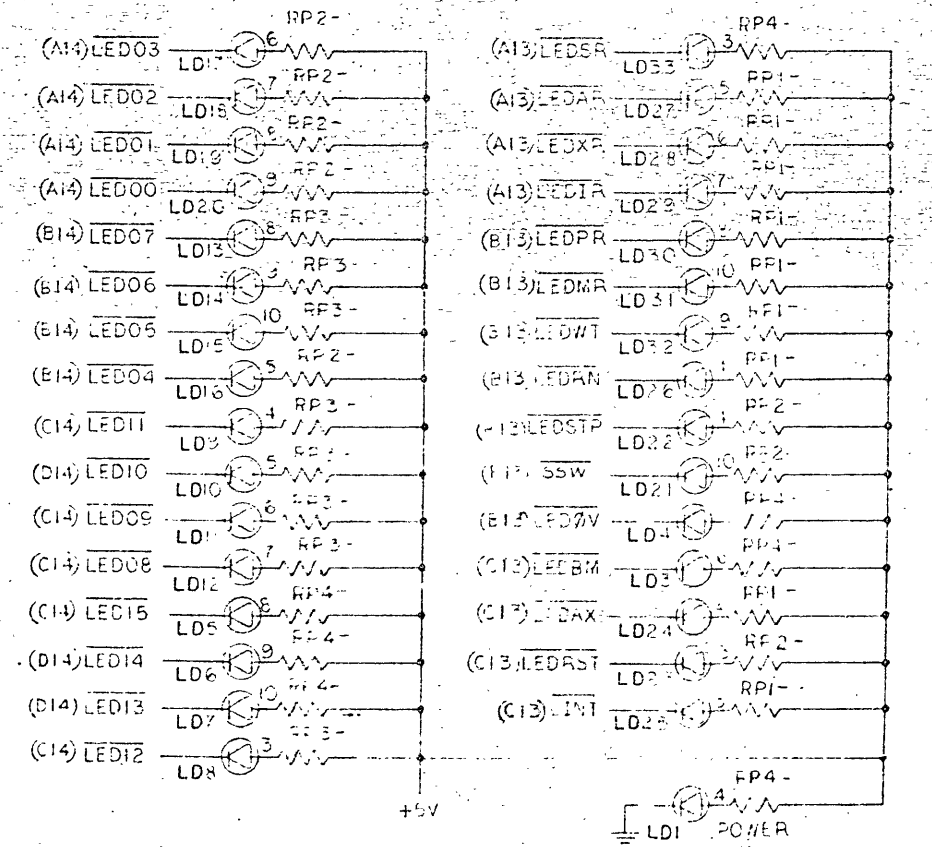
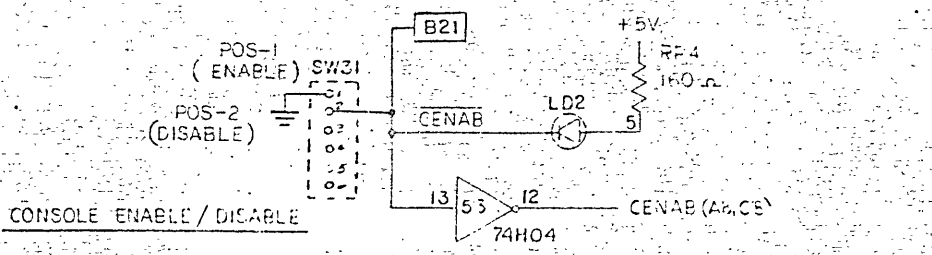
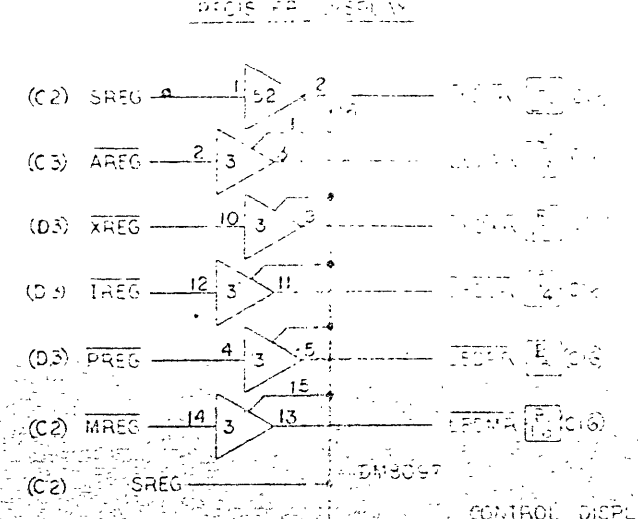
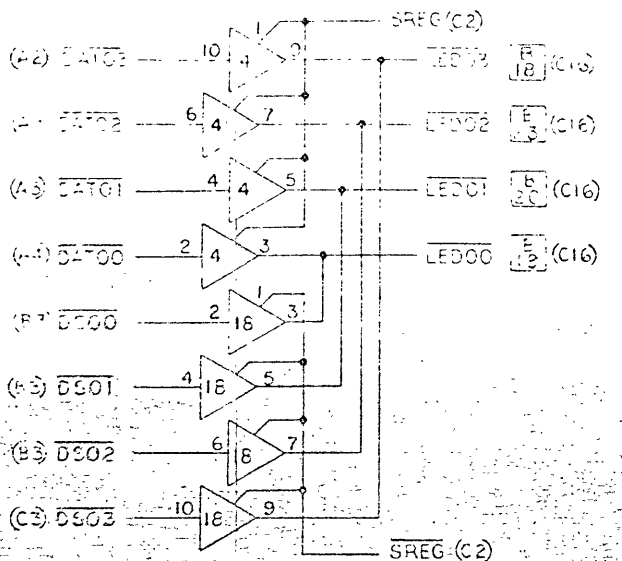
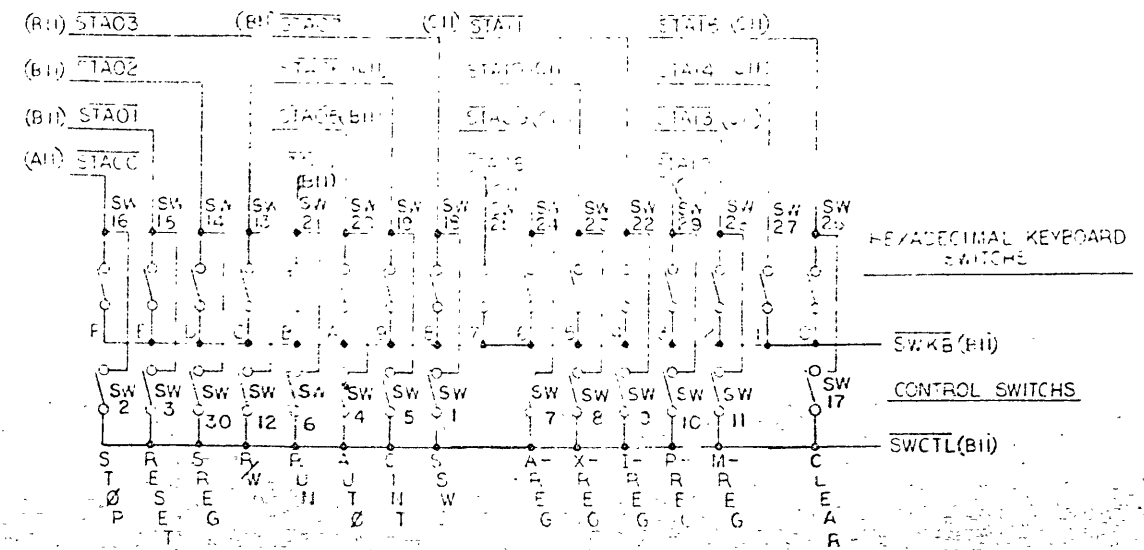
SIZE	REV
D	B18
75-83501-CO	
SCALE	SHT. 4 OF 5

SWITCHES & LED'S

DM8097
DATA DISPLAY

DM8097
CONTROL DISPLAY

REVISIONS		
NO.	DESCRIPTION	DATE/APPRAISAL



PROPRIETARY RIGHTS NOTICE
THIS DOCUMENT AND INFORMATION THAT IT CONTAINS ARE THE PROPERTY OF COMPUTER AUTOMATION, INC. RIGHTS TO DUPLICATE OR OTHERWISE COPY THIS DOCUMENT AND RIGHTS TO DISCLOSE THE DOCUMENT AND SUCH INFORMATION TO OTHERS AND THE RIGHT TO USE THE INFORMATION CONTAINED THEREIN, MAY BE ACQUIRED ONLY BY WRITTEN PERMISSION SIGNED BY A DULY AUTHORIZED OFFICER OF COMPUTER AUTOMATION, INC.

SIZE D	75-53501-00	REV. B18
SCALE	SHEET 5 OF 5	