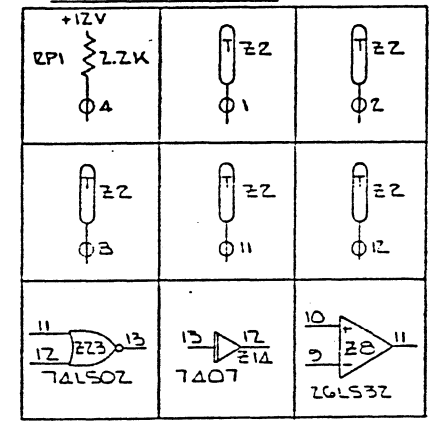


DWG NO. 100077		REV. C	1
REVISIONS			
ZONE	REV.	DESCRIPTION	DATE
A		TRK - PPSD FINN 12-0	7-27-64
B		SEE ECN NO. 10190	6-11-64
C		SEE ECN NO. 10280	9-27-64

TABLE I

ITEM	DESIGNATION	PART NO.	DESCRIPTION	PART NO.	DESCRIPTION
1	W1		CUT ETCH BETWEEN P2 & J10-15		
2	W2		CUT ETCH BETWEEN EP16-1 & EP16-2		
3	W3			10	
4	W4		CUT ETCH BETWEEN EP16-2 & EP16-3		
5					
6	R42	118-1003	POTENTIOMETER, 1K	118-1004	POTENTIOMETER, 10K
7	R43	118-1003	POTENTIOMETER, 1K	118-1004	POTENTIOMETER, 10K
8	R39	101-4703	RESISTOR 4.7K, 5%	103-2004	RESISTOR, 20K, 1%
9	R16	103-1005	RESISTOR 100K, 1%	103-1215	RESISTOR, 12.1K, 1%
10	R17	103-8253	RESISTOR 8.25K, 1%	103-6193	RESISTOR, 6.19K, 1%
11	R20	103-4643	RESISTOR 464K, 1%	103-2373	RESISTOR, 2.37K, 1%
12	C21	111-3302	CAPACITOR 330pf, 5%	111-1003	CAPACITOR, 1000pF, 5%
13					
14	EP16-2		SUPPLIED WITH ENCASED (10)	NOT USED	(10)
15	EP16-3		SUPPLIED WITH ENCASED (10)	NOT USED	(10)
16	EP16-4		SUPPLIED WITH ENCASED (10)	103-3321	RESISTOR, 332Ω, 1%
17	EP16-5		SUPPLIED WITH ENCASED (10)	103-6981	RESISTOR, 69.8Ω, 1%
18	EP16-6		SUPPLIED WITH ENCASED (10)	NOT USED	(10)
19					
20					
21					
22					
23					
24					
25					
26	RP7	105-4103	RESISTOR S.I.P., 100K	105-4104	RESISTOR S.I.P., 10K

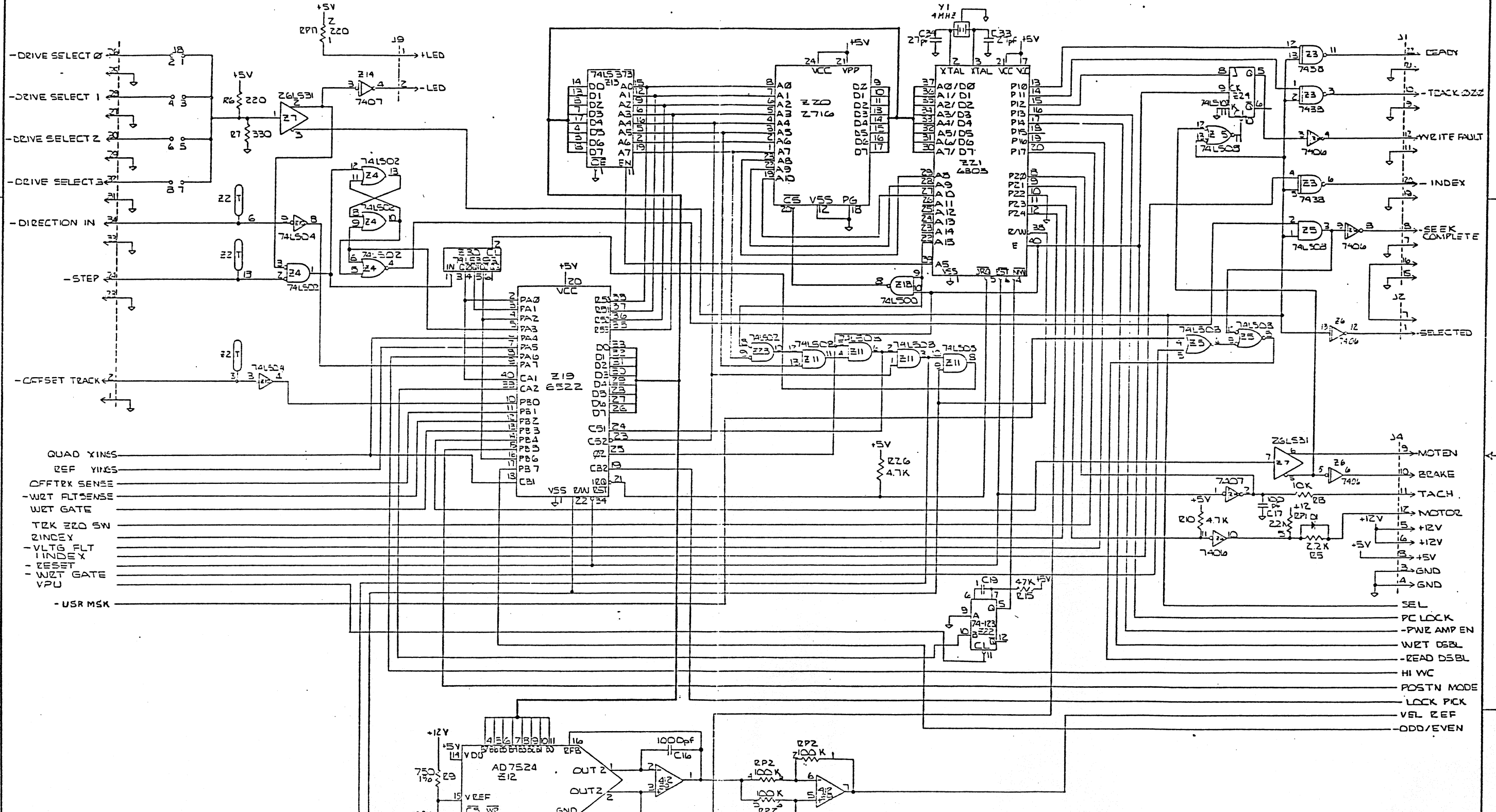
TABLE II



- ① REFER TO ASSEMBLY DRAWING 100076 FOR FABRICATION AND INSTALLATION OF RP16.
 - ② FOR SPACE CIRCUIT ELEMENTS SEE TABLE II.
 - 3. CAPACITOR VALUES GREATER THAN OR EQUAL TO .1 UF ARE IN MICROFARADS -20%, +30%, 50V OR GREATER.
 - 7. CAPACITOR VALUES LESS THAN 10,000 PF ARE IN PICOFARADS ±5%, 50V OR GREATER.
 - C. RESISTORS ARE IN OHMS ±5%, 1/4W
 - 5. RESISTORS DESIGNATED BY RP ARE IN OHMS ±2%.
 - 1. PNP TRANSISTORS ARE 2N1307.
 - 2. NPN TRANSISTORS ARE 2N4123.
 - 1. DIODES ARE IN4148 OR IN31A.
 - ① FOR VALUE, PART NUMBER AND LEADS OF CIRCUIT ELEMENTS AFFECTED BY VERSION NUMBER, SEE TABLE I.
- NOTES: UNLESS OTHERWISE SPECIFIED.

UNLESS OTHERWISE SPECIFIED DIMENSIONS ARE IN INCHES TOLERANCES ARE: FRACTIONS DECIMALS ANGLES ± .010 ± .005 ± .010		REMOVE BURRS AND SHARP EDGES. ALL DIAMETERS ON COMMON CENTERS TO BE CONCENTRIC WITHIN .001.		COMPUTER MEMORIES, INC.	
MATERIAL	FINISH	APPROVALS	DATE		
100076	CM6000			SCHEMATIC, 10MB HIGH COERCIVITY	
NEXT ASSY	USED ON	ISSUED		SIZE / SCAM NO.	DW. NO.
				D	100077
APPLICATION		DO NOT SCALE DRAWING		SCALE	SHEET 1 OF 2

0013-7 (60501)



D
C
B
A

D
C
B
A

UNLESS OTHERWISE SPECIFIED DIMENSIONS ARE IN INCHES TOLERANCES ARE: FRACTIONS DECIMALS ANGLES ±.010 ±.005 ±.010		REMOVE BURRS AND SHARP EDGES ALL DIAMETERS ON COMMON CENTERS TO BE CONCENTRIC WITHIN .002.		COMPUTER MEMORIES, INC.	
MATERIAL		APPROVALS		DATE	
FINISH		DRAWN		3/1/73	
100076 CM6000		CHECKED		3/1/73	
NEXT ASSY		ISSUED		SIZE / SCW NO.	
APPLICATION		DO NOT SCALE DRAWING		DWG. NO. 100077	
		SCALE		REV C	
		SHEET 2 OF 4			

