

# Circuit Applications of Sample-Hold Amplifiers

National Semiconductor  
Application Note 266  
January 1981



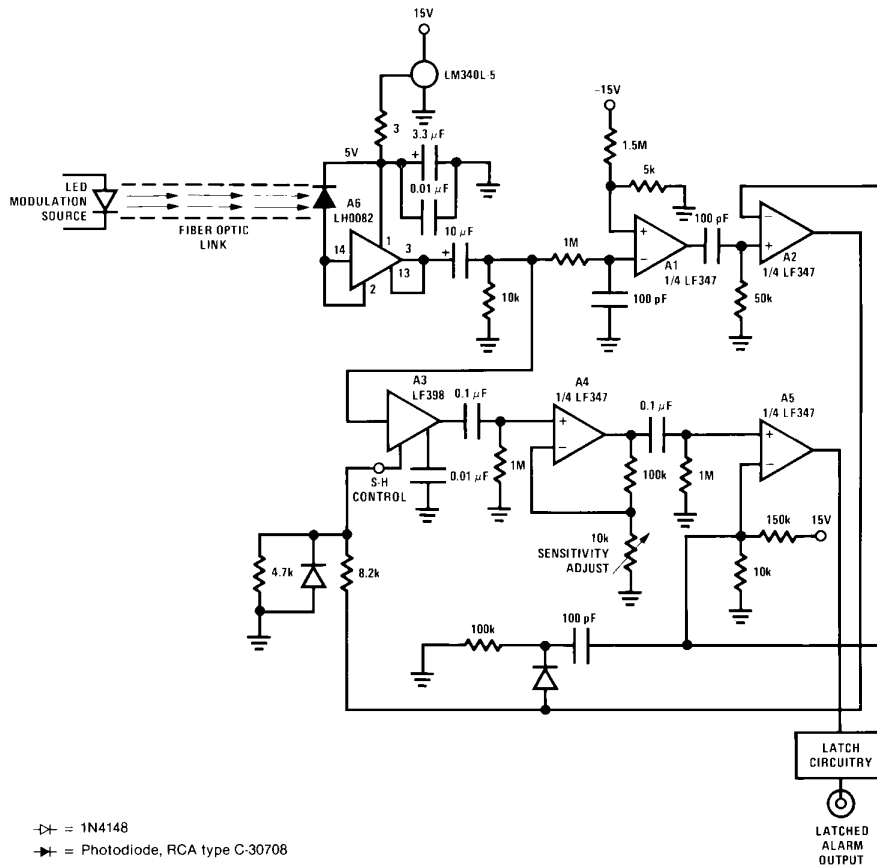
Circuit Applications of Sample-Hold Amplifiers

Most designers are familiar with the sample-and-hold amplifier as a *system* component which is utilized in high speed data acquisition work. In these applications, the sample-and-hold amplifier is used to store analog data which is then digitized by a relatively slow A/D converter. In this fashion, high speed or multiplexed analog data can be digitized without resorting to complex and expensive ultra-high speed A/D converters.

The use of sample-and-hold amplifiers as *circuit* oriented components is not as common as the class of application described above. This is unfortunate, because sampling techniques allow circuit functions which are sophisticated, low cost and not easily achieved with other approaches. An excellent example is furnished by the fiber optic data link intrusion alarm of *Figure 1*.

## Fiber Optic Data Link Intrusion Alarm

The circuit of *Figure 1* will detect an attempt to tap a fiber optic data link. It may be used with any fiber optic communication system which transmits data in pulse coded form. The circuit works by detecting any short-term change in the loss characteristics of the fiber optic line. Long term changes due to temperature and component aging do not affect the circuit. The amplitude of the pulses at the LH0082 fiber optic receiver IC (A6) will depend upon the characteristics of the photocomponents and the losses in the optical line. Any attempt to tap the fiber optic will necessitate removal of some amount of light energy. This will cause an instantaneous drop in the pulse amplitude at A6's output. The amplitude of each of A6's output pulses is sampled by the LF398 sample-and-hold amplifier (A3), A1 and A2 provide a delayed



TL/H/5627-1

**FIGURE 1.** Fiber optic link eavesdropping attempts are immediately detected by this design. Working on a pulse-by-pulse comparison basis, A3 samples each input pulse and holds its output amplitude value at a DC level. Anything that disturbs the next input's amplitude causes a jump in this level; because A4 is an AC-coupled amplifier, the comparator and latch then activate.

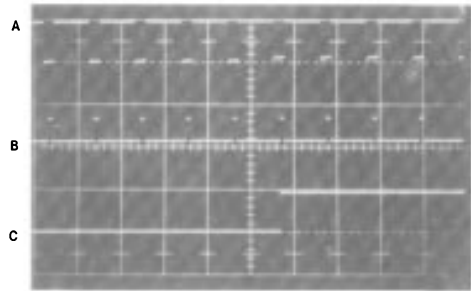
AN-266

sample-hold control pulse to A3, which insures that A6's output is sampled well after its output has settled. Under normal conditions, the pulse-to-pulse amplitude variations at A6's output will be negligible, and the output of A3 will be at a DC level. A4 is AC coupled and its output will be zero. During an intrusion attempt, energy will be removed from the line and A6's output will shift, causing A3 to jump to a new DC level. This shift will be AC amplified by A4 and the A5 comparator will trip, activating the latch circuitry.

Note that the circuit is not affected by slow drifts in circuit components over time and temperature because it is only sensitive to AC disturbances on the line. In addition, the frequency and pulse widths of the data may vary over wide ranges. The photo of *Figure 2* shows the circuit in operation. Trace A is A6's output. Trace B is the sample-hold control pin at A3 and Trace C is the latch-alarm output. In this figure, a disturbance on the fiber optic line has occurred just past the midpoint of the photo. This is reflected by the reduced amplitude of A6's output at this point. The latch-alarm output goes high just after the sample command rises, due to the sample-hold amplifier jumping to the new value at A6's output. In the photo, the disturbance has been made large ( $\approx 10\%$ ) for viewing purposes. In practice, the circuit will detect an energy removal as small as 0.1% from the line.

### Proportional Pulse Stretcher

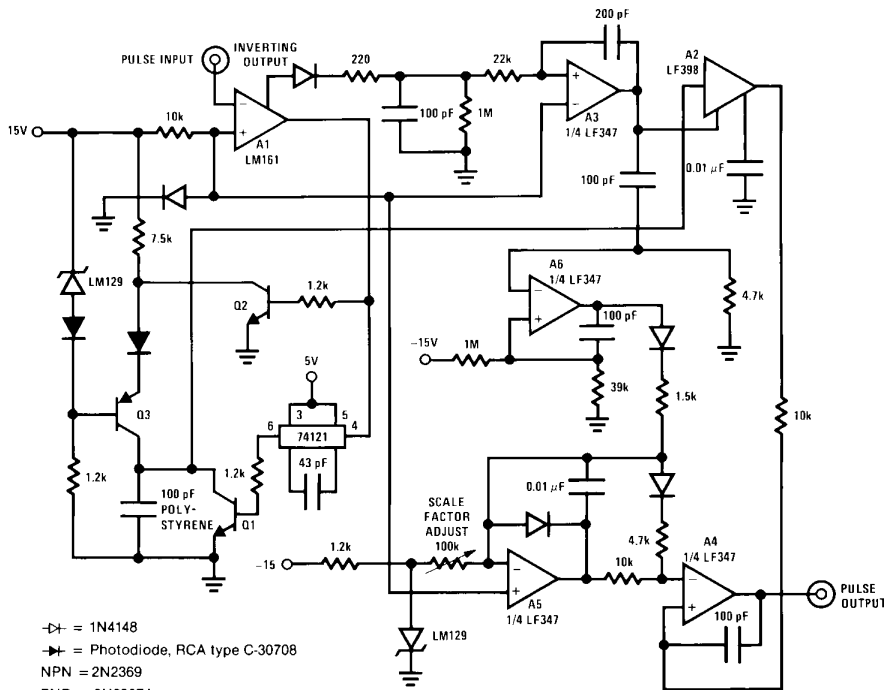
The circuit of *Figure 3* allows high accuracy measurement of short width pulse durations. The pulses may be either



TL/H/5627-2

TRACE	VERTICAL	HORIZONTAL
A	10V/DIV	1 mSEC/DIV
B	10V/DIV	1 mSEC/DIV
C	10V/DIV	1 mSEC/DIV

**FIGURE 2.** An intrusion attempt occurring just past the midpoint of Trace A is immediately detected by *Figure 1's* circuit. The photodetector's amplifier output (A) shows a slight amplitude drop. The next time the S-H amplifier samples this signal (B), the alarm latch sets (C).



TL/H/5627-3

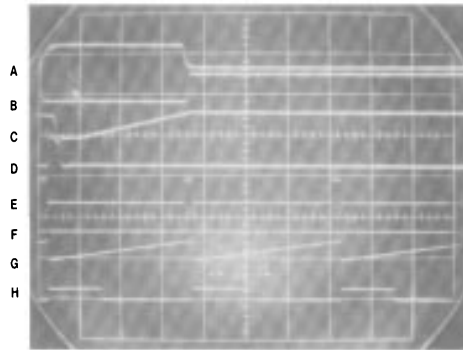
**FIGURE 3.** Pulse width measurement accuracy is enhanced by this pulse stretching circuit. A short input pulse triggers the 74121 one-shot and (via Q1) discharges the 100 pF capacitor while concurrently turning on the recharging current source, Q3. So long as the input pulse is present, the capacitor charges; when the pulse ends, the capacitor's voltage is proportional to the pulse's width. S-H amplifier A2 samples this voltage, and the resultant DC level controls the ON duration of the A4/A5 pulse width modulator.

repetitive or single-shot events. Using digital techniques, a 1% width measurement of a 1  $\mu$ s event requires a 100 MHz clock. This circuit gets around this requirement by linearly amplifying the width of the input pulse with a time multiplying factor of 1000 or more. Thus, a 1  $\mu$ s input event will yield a 1 ms output pulse which is easy to measure to 1%. This measurement capability is useful in high energy physics and nuclear instrumentation work, where short pulse width signals are common.

Figure 4, Trace A shows a 350 ns input pulse applied to the circuit of Figure 3. The A1 comparator output goes low (Figure 4, Trace B), triggering the DM74121 one shot, which resets the 100 pF capacitor to 0V via Q1 with a 50 ns pulse (Trace C). Concurrently, Q2 is turned off, allowing the A3 current source to charge the 100 pF capacitor in a linear fashion (Figure 4, Trace C). This charging continues until the circuit input pulse ends, causing A1's output to return high and cutting off the current source. The voltage across the 100 pF capacitor at this point in time is directly proportional to the width of the circuit input pulse. This voltage is sampled by the LF398 sample-hold amplifier (A2) which re-

ceives its sample-hold command from A3 (Figure 4, Trace E—note horizontal scale change at this point). A3 is fed from a delay network which is driven by A1's inverting output. The output of A2 is a DC voltage, which represents the width of the most recently applied pulse to the circuit's input. This DC potential is applied to A4, which along with A5 comprises a voltage controlled pulse width modulator. A5 ramps positive (Figure 4, Trace G) until it is reset by a pulse from A6, which goes high for a short period (Figure 4, Trace F) each time A3's output (Figure 4, Trace E) goes low. The ramps at A6's output are compared to A2's output voltage by A4, which goes high for a period linearly dependent on A2's output value (Figure 4, Trace H). This pulse is the circuit's output.

In this particular circuit, the time amplification factor is about 2000 with a 1  $\mu$ s full-scale width giving a 1.4 ms output pulse. Absolute accuracy of the time expansion is 1% (10 ns) referred to input with resolution down to 2 ns. The 50 ns DM74121 reset pulse limits the minimum pulse width the circuit can measure.



TL/H/5627-4

TRACE	VERTICAL	HORIZONTAL
A	10V/DIV	100 nSEC/DIV
B	5V/DIV	100 nSEC/DIV
C	5V/DIV	100 nSEC/DIV
D	5V/DIV	100 nSEC/DIV
E	50V/DIV	500 $\mu$ SEC/DIV
F	50V/DIV	500 $\mu$ SEC/DIV
G	20V/DIV	500 $\mu$ SEC/DIV
H	100V/DIV	500 $\mu$ SEC/DIV

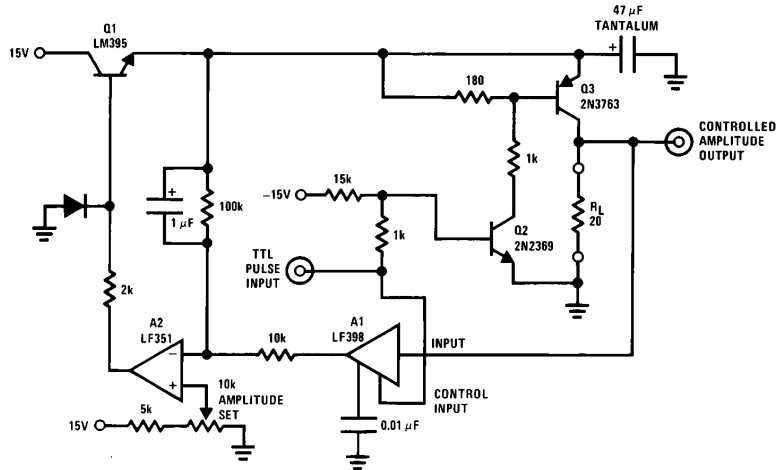
FIGURE 4. A sequence of events in Figure 3's circuit stretches a 350 ns input pulse (A) by a factor of 2000. When triggered, comparator A1 goes low (B). This action starts the recharging of a capacitor (C) after its previously stored charge has been dumped (D). When the input pulse ends, the capacitor's voltage is sampled under control of a delayed pulse (E) derived from the input amplifier's inverting output (F). The sampled and held voltage then turns off a voltage controlled pulse width modulator (G), and a stretched output pulse results (H).

### Controlled Amplitude Pulser

Figure 5 depicts a circuit which converts an input pulse train into an amplitude stabilized pulse output which will drive a 20Ω load. The output pulse amplitude is adjustable from 0V to 10V and is stable over time, temperature and load changes. This circuit function is useful in automatic test equipment and general laboratory applications.

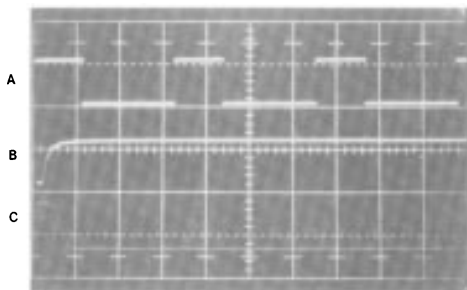
The circuit works by storing the sampled amplitude of the output pulse as a DC level, and supplying this information to a feedback loop which controls the voltage applied to the output switch. Each time a pulse is applied at the circuit input, the Q2-Q3 combination turns on and drives the load.

Simultaneously, the A1 sample-and-hold amplifier is placed in the sample mode. When the pulse ends, A1's output is at a DC level equal to the amplitude of the output pulse. This level is compared to the amplitude set DC reference by A2, whose output drives Q1. Q1's emitter provides the DC supply level to the Q2-Q3 switch. This servo action forces the amplitude of the output pulse to be the same as the DC potential at the amplitude set potentiometer wiper, regardless of Q3 switch losses or loading. In Figure 6, Trace A is the circuit output. Traces B and C detail the rising and falling edges of the output (note horizontal sweep time change for B and C) with clean 50 ns transitions into the 20Ω load.



TL/H/5627-5

FIGURE 5. Pulse amplitude control results when this circuit samples an output pulse's amplitude and compares it with a preset reference level. When the output exceeds this reference, A2 readjusts switching transistor Q3's supply voltage to the correct level.



TRACE	VERTICAL	HORIZONTAL
A	10V/DIV	1 mSEC/DIV
B	10V/DIV	100 nSEC/DIV
C	10V/DIV	100 nSEC/DIV

TL/H/5627-6

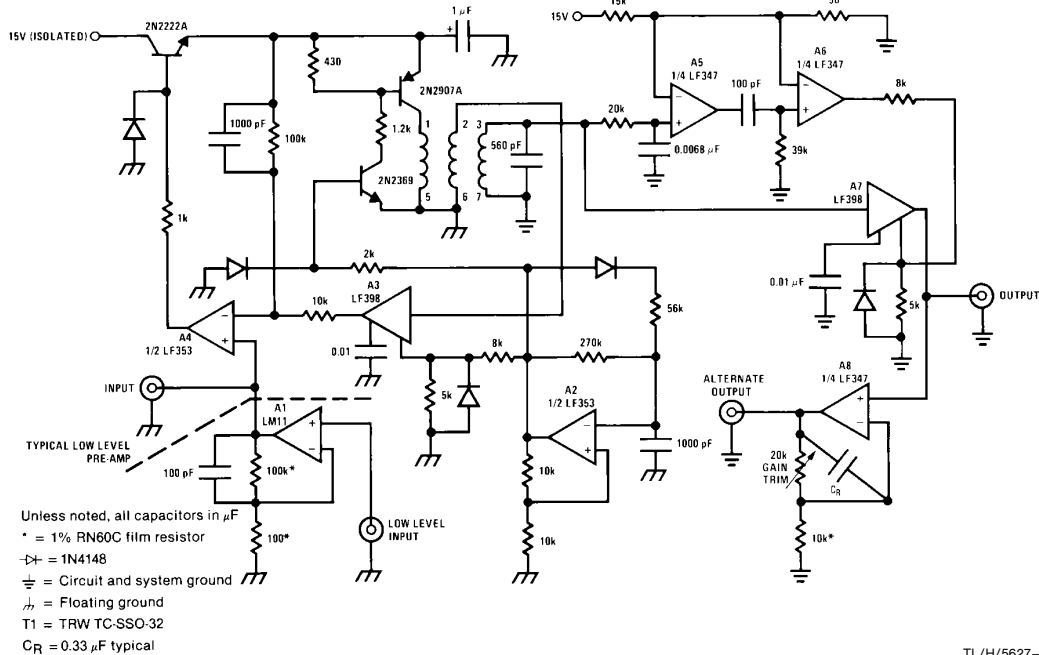
FIGURE 6. A 10V, 0.5A pulse (A) is amplitude stabilized by the S-H technique depicted in Figure 5. Note the clean 50 ns rise (B) and fall (C) times.

### Isolated Input Signal Conditioning Amplifier

Figure 7 is a logical and very powerful extension of the controlled amplitude pulser shown in Figure 5. This circuit permits measurement of a small amplitude signal, e.g., thermocouples, in the presence of common-mode noise or voltages as high as 500V. This is a common requirement in industrial control systems. Despite the fact that the input terminals are fully galvanically isolated from the output, a transfer accuracy of 0.1% may be expected. With the optional low-level pre-amplifier shown, inputs as low as 10 mV full-scale may be measured.

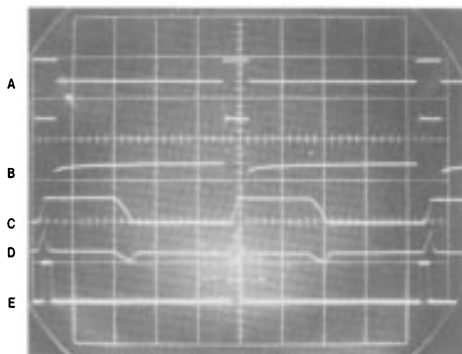
The circuit works by converting the input signal into a pulse train whose amplitude is linearly dependent on the input

signal value. This pulse train drives a transformer which provides total galvanic isolation of the input circuitry from ground. The transformer output is then demodulated back to a DC level to provide the circuit's system ground referenced output. The amplitude of the pulse train which drives the transformer is controlled by a loop very similar to the one described in Figure 5. The amplitude set potentiometer has been deleted, and the servo amplifier's "+" input becomes the circuit input. A1, a low drift X1000 amplifier, may be employed for boosting low-level inputs. The pulse train is supplied by A2, which is set up as an oscillator (A2 output shown in Figure 8, Trace A). The feedback to the pulse amplitude stabilizing loop is taken from an isolated



TL/H/5627-7

FIGURE 7. Obtain input signal isolation using this circuit's dual S-H scheme. Analog input signals amplitude modulate a pulse train using a technique similar to that employed in Figure 5's design. This modulated data is transformer coupled, and thereby isolated, to a DC filter stage, where it is resampled and reconstructed.



TL/H/5627-8

FIGURE 8. Figure 7's in-circuit oscillator (A2) generates both the sampling pulse (A) and the switching transistor's drive. Modulated by the analog input signal, Q2's (and therefore T1's) output (B) is demodulated by S-H amplifier A7. A5's output (C) and A6's input (D) and output (E) provide a delayed sample command.

TRACE	VERTICAL	HORIZONTAL
A	50V/DIV	100 $\mu\text{SEC}/\text{DIV}$
B	1V/DIV	100 $\mu\text{SEC}/\text{DIV}$
C	50V/DIV	100 $\mu\text{SEC}/\text{DIV}$
D	10V/DIV	100 $\mu\text{SEC}/\text{DIV}$
E	5V/DIV	100 $\mu\text{SEC}/\text{DIV}$

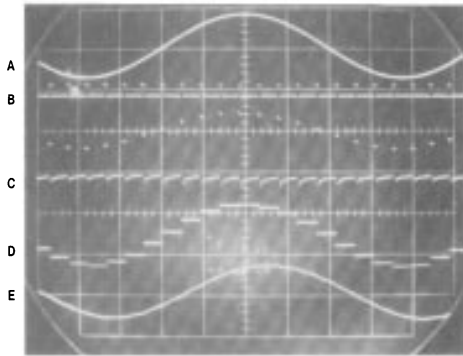
secondary of the transformer, which insures high accuracy amplitude information transfer. The amplitude coded information at the transformer's secondary (Figure 8, Trace B) is demodulated back to a DC level by sample-and-hold amplifier, A7. A5 (output, Figure 8, Trace C) and A6 ("+" input, Figure 8, Trace D; output, Figure 8, Trace E) provide a delayed sample command to A7, ensuring accurate acquisition of the transformer's output pulse amplitude. A8 provides gain trimming and filtering capability.

Figure 9 provides very graphic evidence of the circuit at work. Here, a DC biased sine wave (Figure 9, Trace A) is fed into the circuit input. Trace B is the clock from A2's output. Trace C is the transformer secondary (input of A7 sample-

hold amplifier) and Trace D is A7's output. Trace E shows the filter's output at A8.

#### Precision, High Efficiency Temperature Controller

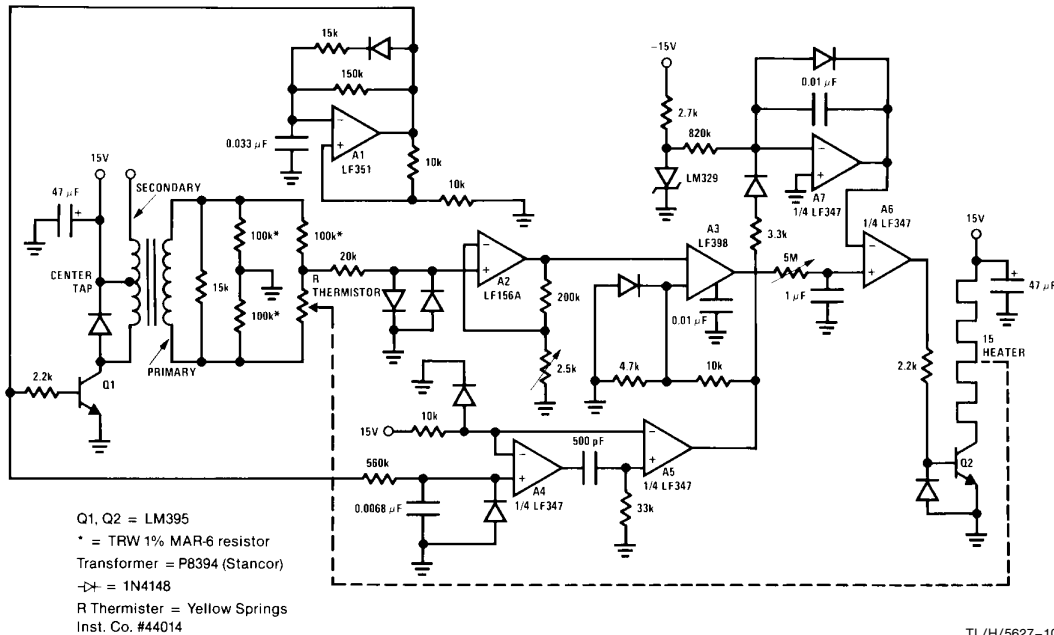
The sample-and-hold amplifier in Figure 10 is used to provide very high stability in an oven temperature control circuit. In this circuit, the output signal of the pulse driven thermistor-bridge is ten times greater than the usual DC driven bridge. In thermistor-bridges, power dissipation in the resistors and thermistor is the limiting factor in how much DC bridge drive may be used. However, if the bridge drive is applied in the form of high voltage pulses at very low duty cycle, average power dissipation will be low and a high bridge output signal will result.



TRACE	VERTICAL	HORIZONTAL
A	5V/DIV	100 mSEC/DIV
B	100V/DIV	
C	5V/DIV	
D	5V/DIV	
E	5V/DIV	

TL/H/5627-9

FIGURE 9. Completely input-to-output isolated, Figure 7's circuit's analog input signal (A) is sampled by a clock pulse (B) and converted to a pulse amplitude modulated format (C). After filtering and resampling, the reconstructed signal (D) is available smoothed (E).



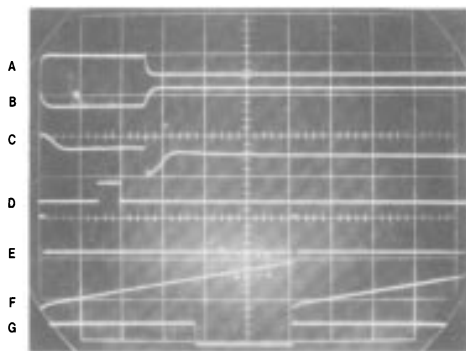
TL/H/5627-10

FIGURE 10. Tight temperature control results when high voltage pulses synchronously drive a thermistor-bridge—a trick that increases signal level—and are then sampled and used to control a pulse width modulated heater driver.

In *Figure 10*, this operation is implemented by having the A1 oscillator drive Q1 to energize a common 24V transformer used "backwards". The transformer's floated output is a 100V pulse which is applied directly across the thermistor-bridge. With one side of the bridge output grounded, the bridge drive with respect to ground appears as complementary 50V pulses (*Figure 11*, Traces A and B). A2 provides amplification of the bridge's pulsed output (*Figure 11*, Trace C). A3, a sample-hold amplifier, samples the middle of A2's output pulses and has a DC output equal to the amplitude of these pulses. Proper timing for A3's sample command (*Figure 11*, Trace D) is provided by the A4-A5 pair and their associated RC networks. The DC output of A3 is low-pass filtered and fed to A6, which combines with A7 to form a simple pulse width modulator. The output of A7 is a ramp (*Figure 11*, Trace F—note horizontal scale change) which is periodically reset by A5's output (*Figure 11*, Trace E). This ramp is compared at A6 to A3's output, and the resultant pulse at A6's output (*Figure 11*, Trace G) is used to drive the

Q2 heater control switch. In this fashion, the ON time of the pulse applied to the heater will be proportional to the sensed offset at the thermistor-bridge. Thermal feedback from the heater to the thermistor completes a loop around the circuit. The 5 M $\Omega$  potentiometer is used to adjust the time constant of this loop, and the 2.5k potentiometer at A2 sets the gain.

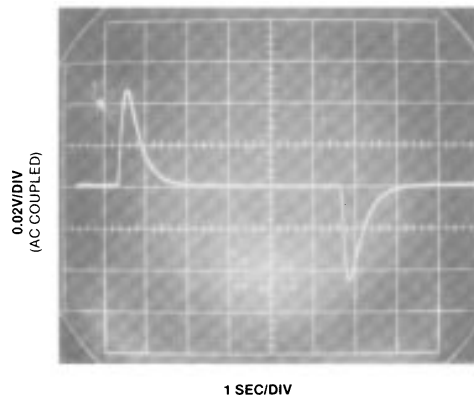
In operation, with the thermistor and heater tightly coupled, the time constant of the loop is adjusted by applying small step changes in the temperature setpoint. This is done by alternately opening and closing a switch across a 100 $\Omega$  resistor in series with one of the bridge resistors. For the thermistor shown, this represents a 0.02°C step. The response of the loop to these steps can be monitored at A3's output. With the loop time constant and gain properly adjusted, A3's output will settle in a minimum amount of time in response to the steps. *Figure 12* shows settling for both "+" and "-" steps, with settling inside 2 seconds for either polarity step.



TL/H/5627-11

TRACE	VERTICAL	HORIZONTAL
A	100V/DIV	200 $\mu$ SEC/DIV
B	100V/DIV	200 $\mu$ SEC/DIV
C	5V/DIV	200 $\mu$ SEC/DIV
D	10V/DIV	200 $\mu$ SEC/DIV
E	5V/DIV	1 mSEC/DIV
F	10V/DIV	1 mSEC/DIV
G	50V/DIV	1 mSEC/DIV

**FIGURE 11.** Driving a thermistor-bridge with complementary high voltage pulses (A and B) permits high gain amplification without drift problems (C). Driven by a delayed sample command (D), a S-H amplifier converts the bridge's error signal to a DC level (E) that controls a pulse width modulated heater driver (F and G).



TL/H/5627-12

**FIGURE 12.** Tight heater to thermistor coupling and careful calibration can provide rapid temperature restabilization. Here the controlled oven recovers within 2 seconds after  $\pm 0.002^\circ\text{C}$  steps.

Once adjusted, and driving a well insulated and designed oven, the circuit's control stability can be monitored. The high output signal levels from the bridge, in combination with the gain provided by A2, yield extremely good performance.

**Sample-and-Hold Amplifier Terms**

**Acquisition Time:** The time required to acquire a new analog input voltage with an output step of 10V. Note that acquisition time is not just the time required for the output to settle, but also includes the time required for all internal nodes to settle so that the output assumes the proper value when switched to the hold mode.

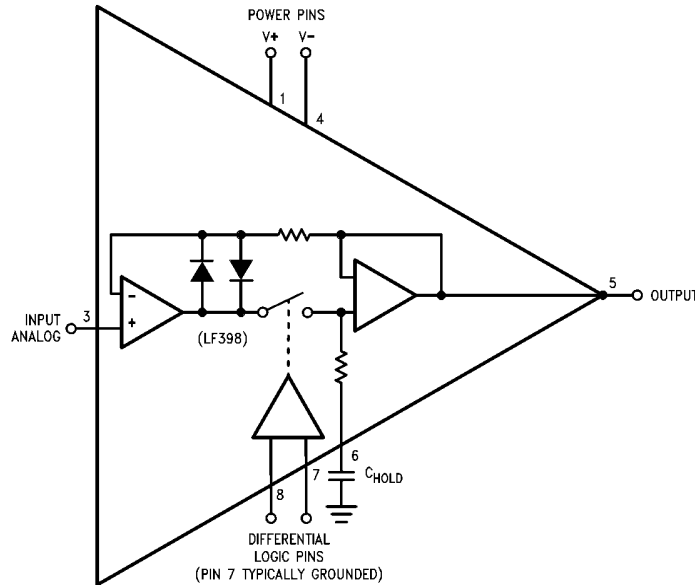
**Aperture Time:** The delay required between hold command and an input analog transition, so that the transition does not affect the held output.

**Dynamic Sampling Error:** The error introduced into the held output due to a changing analog input at the time the hold command is given. Error is expressed in mV with a given hold capacitor value and input slew rate. Note that this error term occurs even for long sample times.

**Gain Error:** The ratio of output voltage swing to input voltage swing in the sample mode expressed as a percent difference.

**Hold Settling Time:** The time required for the output to settle within 1 mV of final value after the hold logic command.

**Hold Step:** The voltage step at the output of the sample-and-hold when switching from sample mode to hold mode with a steady (DC) analog input voltage. Logic swing is specified, usually 5V.



**FIGURE 13. Typical Sample-and-Hold IC Amplifier**

TL/H/5627-13

**LIFE SUPPORT POLICY**

NATIONAL'S PRODUCTS ARE NOT AUTHORIZED FOR USE AS CRITICAL COMPONENTS IN LIFE SUPPORT DEVICES OR SYSTEMS WITHOUT THE EXPRESS WRITTEN APPROVAL OF THE PRESIDENT OF NATIONAL SEMICONDUCTOR CORPORATION. As used herein:

1. Life support devices or systems are devices or systems which, (a) are intended for surgical implant into the body, or (b) support or sustain life, and whose failure to perform, when properly used in accordance with instructions for use provided in the labeling, can be reasonably expected to result in a significant injury to the user.
2. A critical component is any component of a life support device or system whose failure to perform can be reasonably expected to cause the failure of the life support device or system, or to affect its safety or effectiveness.



**National Semiconductor Corporation**  
 1111 West Bardin Road  
 Arlington, TX 76017  
 Tel: 1(800) 272-9959  
 Fax: 1(800) 737-7018

**National Semiconductor Europe**  
 Fax: (+49) 0-180-530 85 86  
 Email: cnjwge@tev2.nsc.com  
 Deutsch Tel: (+49) 0-180-530 85 85  
 English Tel: (+49) 0-180-532 78 32  
 Français Tel: (+49) 0-180-532 93 58  
 Italiano Tel: (+49) 0-180-534 16 80

**National Semiconductor Hong Kong Ltd.**  
 19th Floor, Straight Block,  
 Ocean Centre, 5 Canton Rd.  
 Tsimshatsui, Kowloon  
 Hong Kong  
 Tel: (852) 2737-1600  
 Fax: (852) 2736-9960

**National Semiconductor Japan Ltd.**  
 Tel: 81-043-299-2309  
 Fax: 81-043-299-2408

National does not assume any responsibility for use of any circuitry described, no circuit patent licenses are implied and National reserves the right at any time without notice to change said circuitry and specifications.