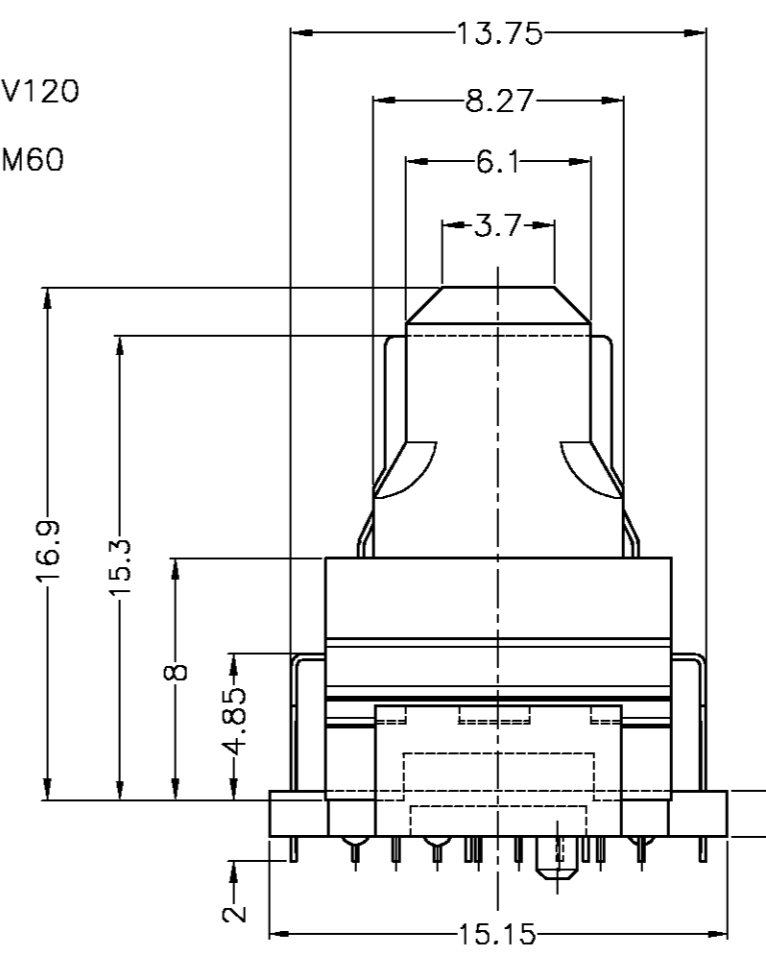
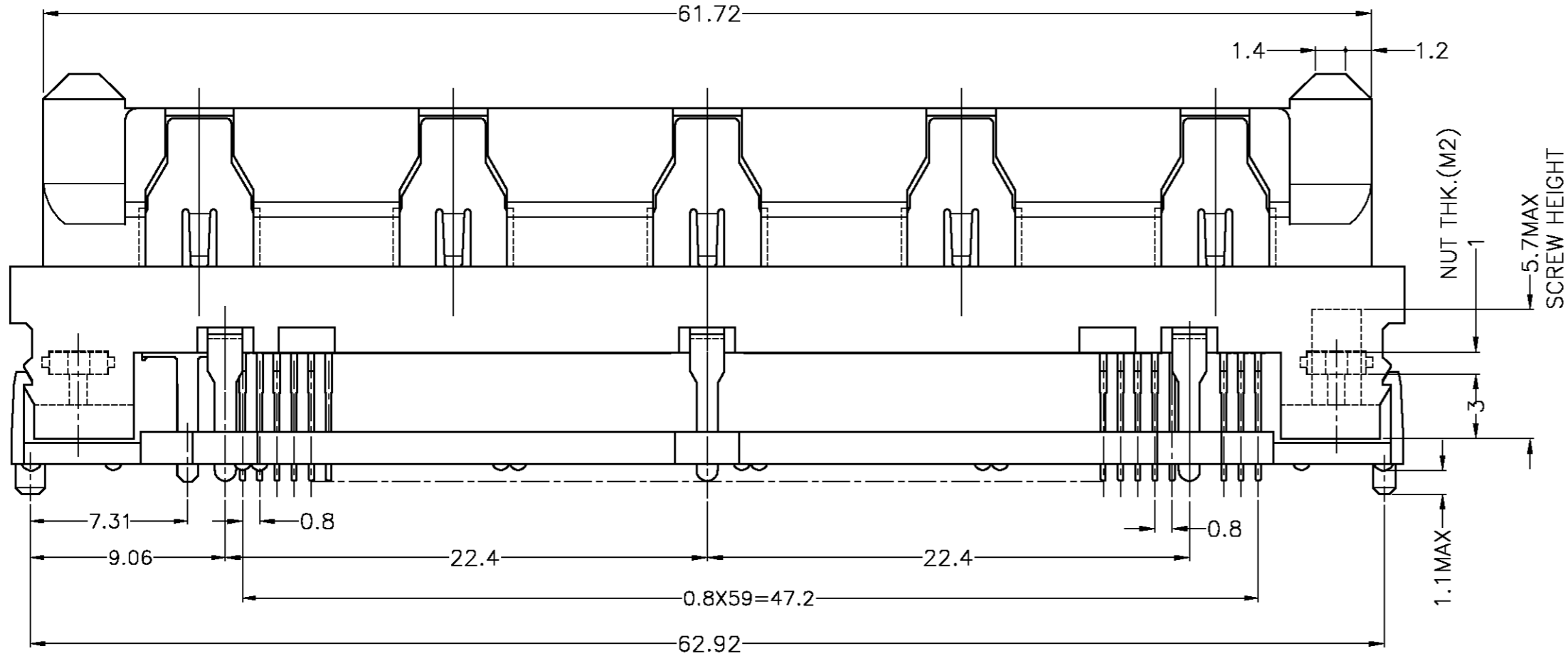
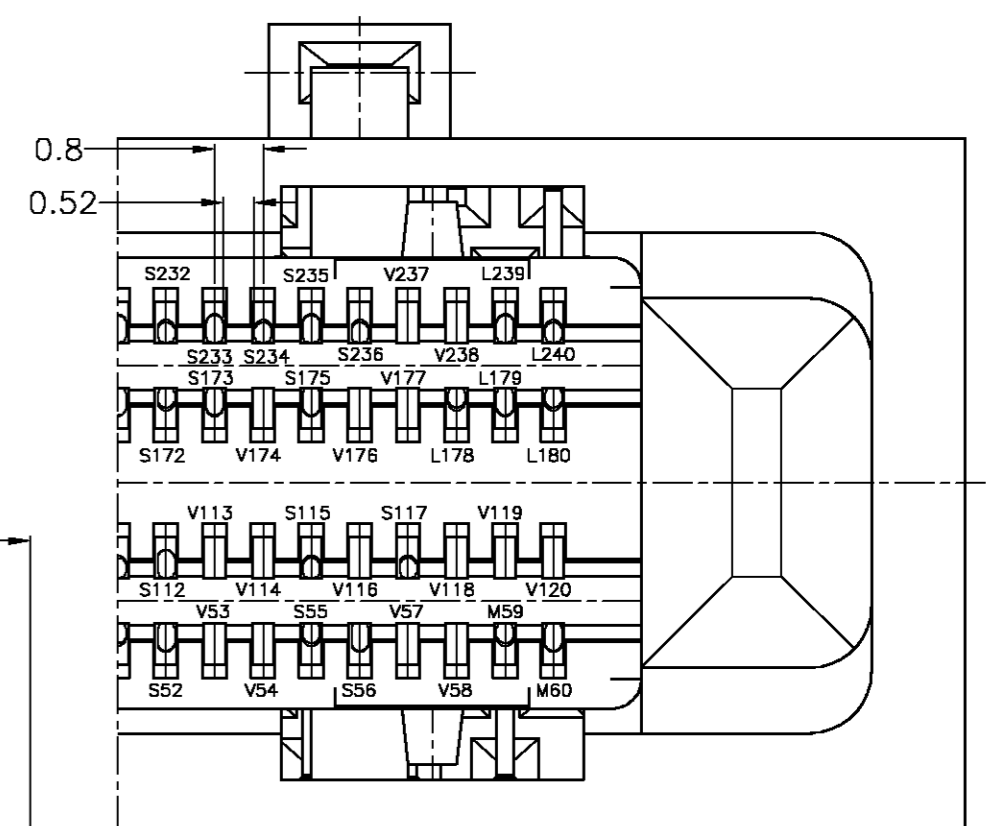
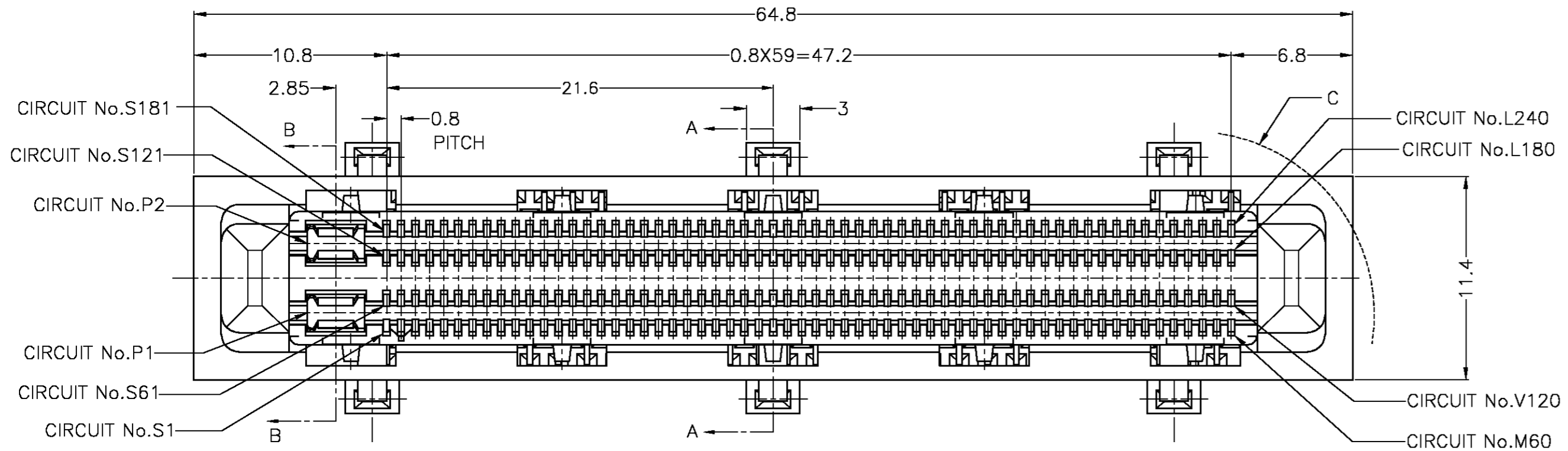


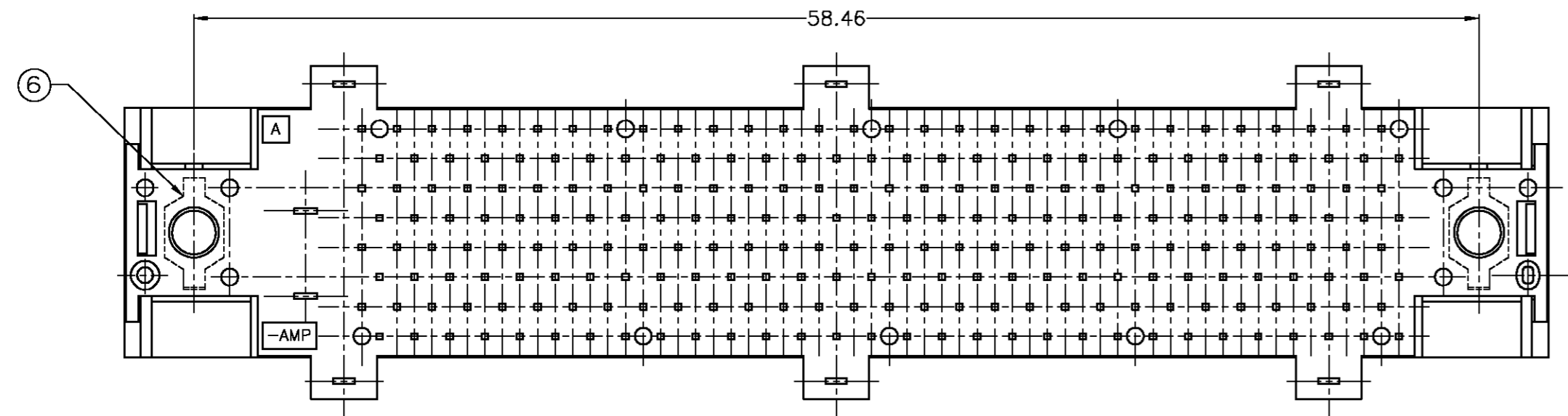
THIS DRAWING IS UNPUBLISHED. RELEASED FOR PUBLICATION 2002.
 © COPYRIGHT 2002 BY TYCO ELECTRONICS CORPORATION. ALL RIGHTS RESERVED.

LOC	DIST	REVISONS					
J		P	LTR	DESCRIPTION	DATE	DWN	APVD
		A		REVISED (FJBO-0728-03)	12SEP03	T.K	H.S

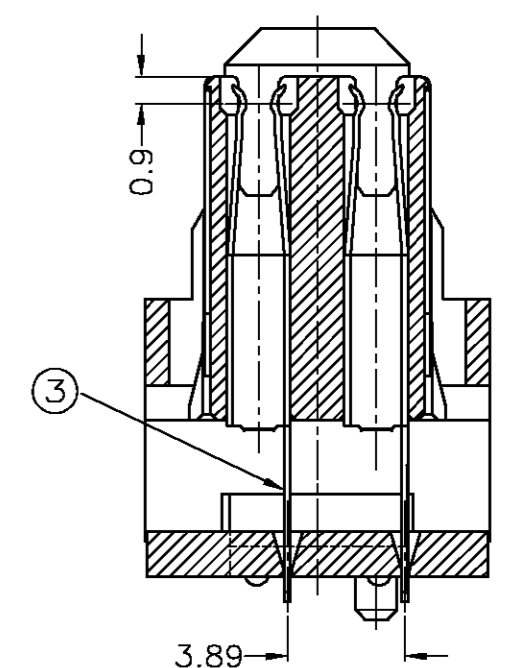
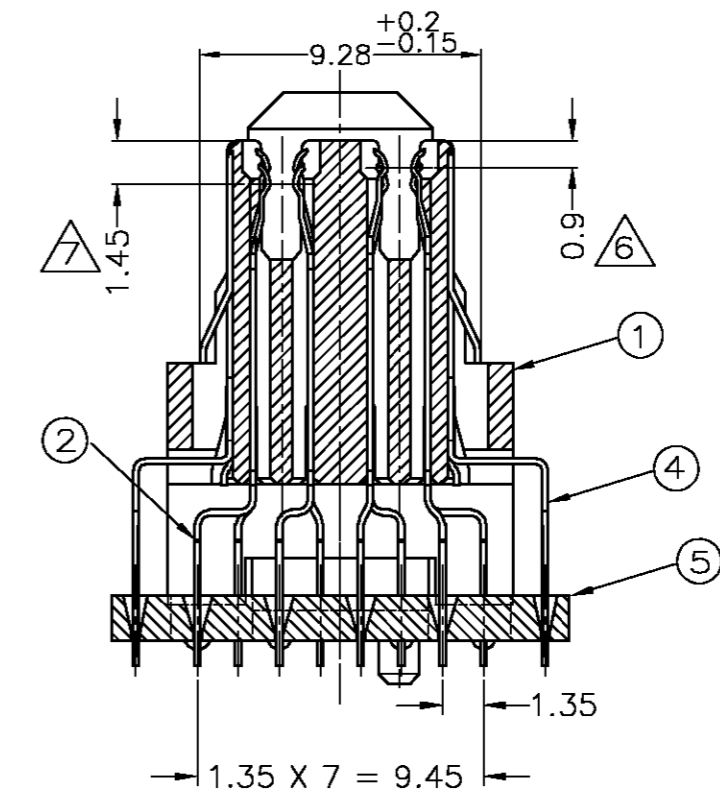


極数
 SIGNAL 218P
 MODEM 2P
 LAN 5P
 VOID 15P
 POWER 2P

1674037-1 ; AS SHOWN
 SHEET 1 & 2



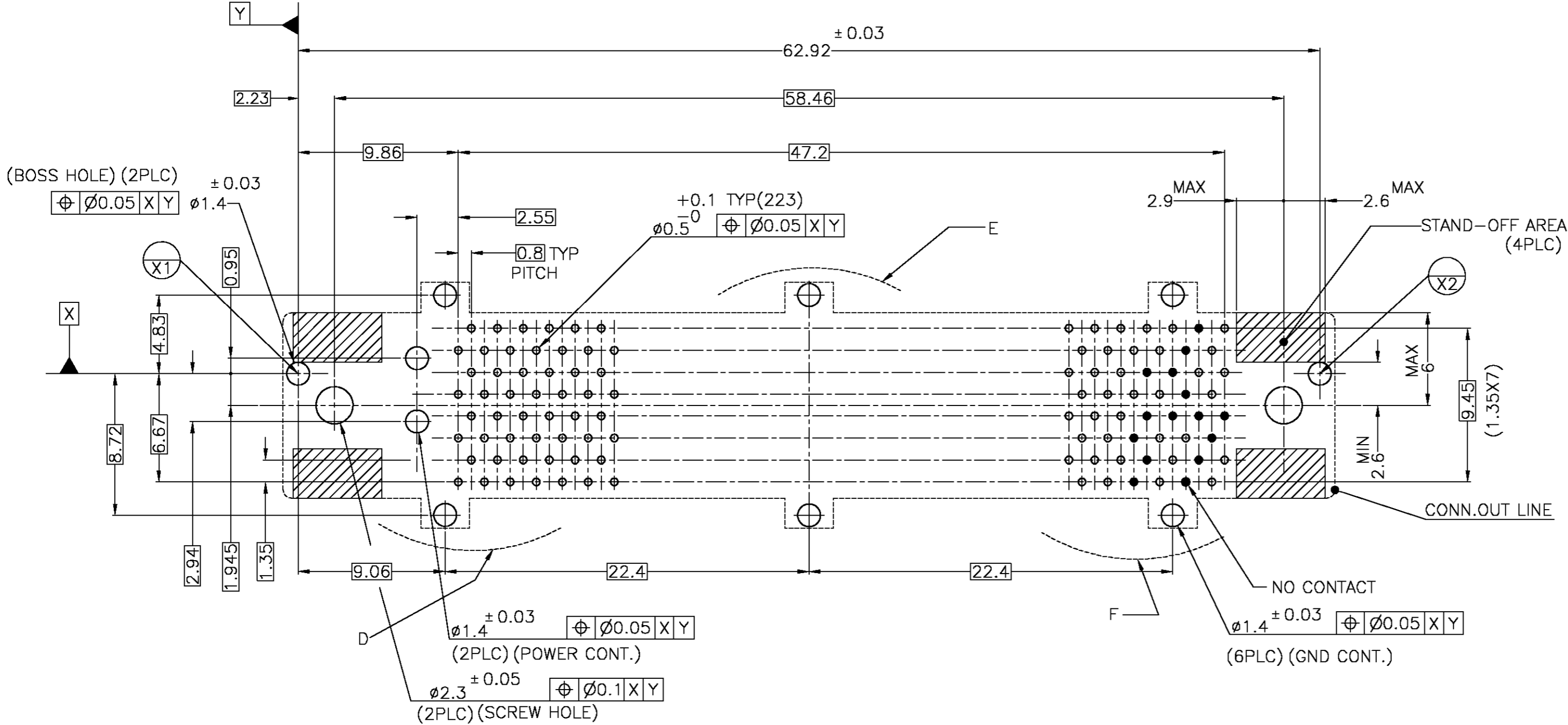
REFERENCE PANEL OPENING DIM.
 参考パネル開口寸法



THIS DRAWING IS A CONTROLLED DOCUMENT.		DWN T.KAWAMAE 25AUG03	 Tyco Electronics AMP K.K. Kawasaki, Japan
DIMENSIONS: MM		CHK S.ABE 25AUG03	
TOLERANCES UNLESS OTHERWISE SPECIFIED:		APVD H.SHIRAI 25AUG03	NAME
0 PLG ± 1 PLG ± 0.3 2 PLG ± 3' 3 PLG ± 3' 4 PLG ± ANGLES ± FINISH		PRODUCT SPEC 108-5742	REC ASSY V (240P + POWER 2P)
SEE NOTE		APPLICATION SPEC	FOR 0.8 mm PITCH DOCKING CONN.
MATERIAL		WEIGHT 12.6g	SIZE A2
SEE NOTE		CUSTOMER DRAWING	CAGE CODE 00779
			DRAWING NO C=1674037
			RESTRICTED TO
			SCALE 4:1 SHEET 1 OF 4 REV A

THIS DRAWING IS UNPUBLISHED. RELEASED FOR PUBLICATION 2002.
 © COPYRIGHT 2002 BY TYCO ELECTRONICS CORPORATION. ALL RIGHTS RESERVED.

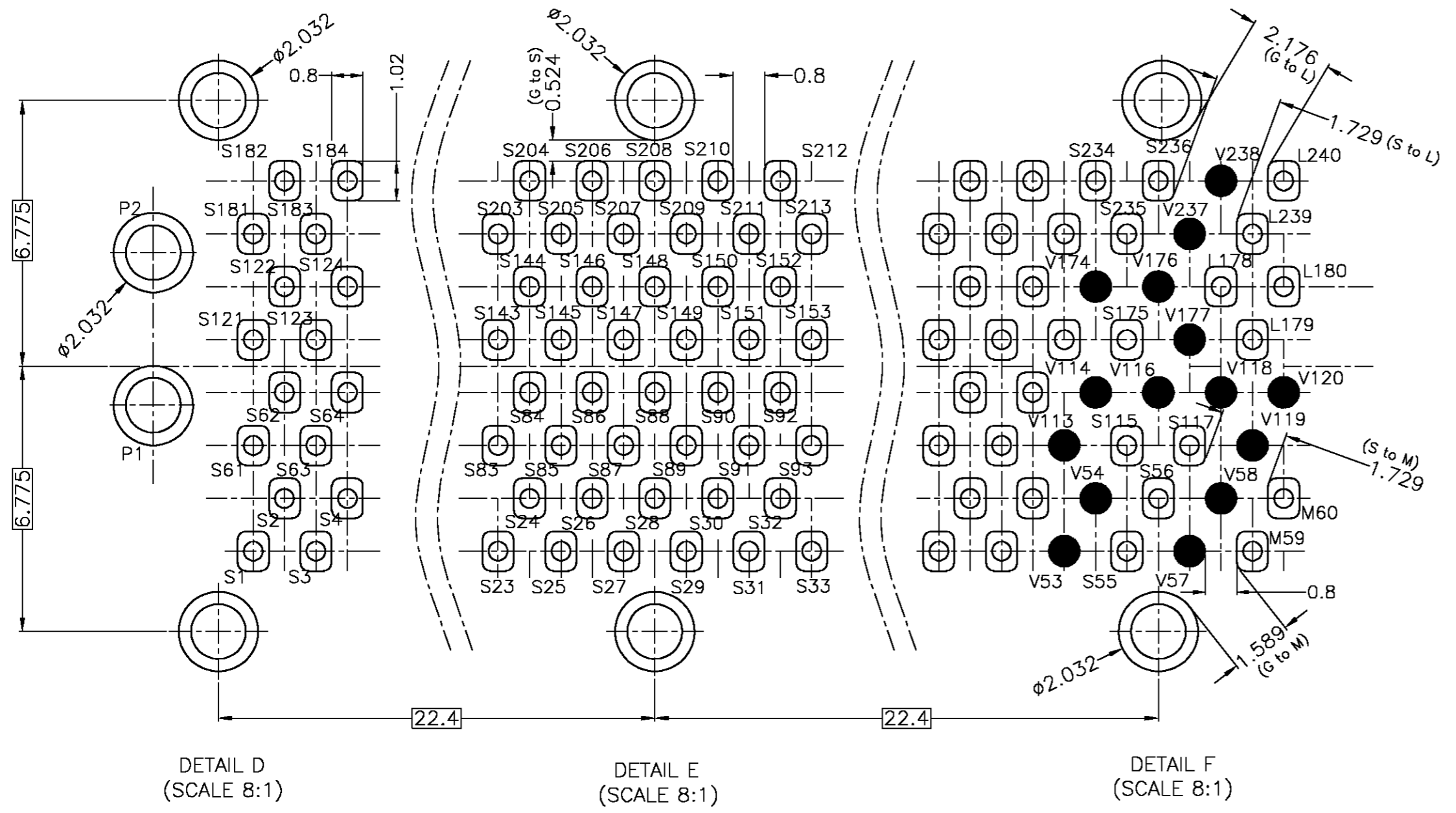
LOC	DIST	REVISIONS			
J		REV	DESCRIPTION	DATE	APVD



RECOMMENDED PC BOARD DIMENSIONS (MOUNTING SIDE)
 推奨基板寸法 (実装面)

- 注記
- △材質
 - ハウジング : 熱可塑性樹脂 UL94V-0, 黒
 - タイムプレート : 熱可塑性樹脂 UL94V-0, 黒
 - シグナルコンタクト : 銅合金
 - パワーコンタクト : 銅合金
 - グランドプレート : 銅合金
 - ナット : ステンレス鋼
 - △仕上
 - シグナルコンタクト & パワーコンタクト :
ニッケル下地接点部金めっき, はんだ付け部はんだめっき
グランドプレート : 銅下地すずめっき(リフロー)
 - 3 適用基板厚 : 1.2±0.1mm
 - 4 嵌合相手型番 : X-1674036-X
 - △5 推奨ねじ締め付けトルク : 0.15N・m(1.5kgf・cm)から0.2N・m(2kgf・cm)
 - △6 適用極 No. : 1~120極周 : 偶数極、121~240極周 : 奇数極 に適用。
 - △7 適用極 No. : 1~120極周 : 奇数極、121~240極周 : 偶数極 に適用。

- NOTE
- △ MATERIAL
 - HOUSING : THERMOPLASTIC, UL94V-0, BLACK
 - TINE PLATE : THERMOPLASTIC, UL94V-0, GRAY
 - SIGNAL CONTACT: COPPER ALLOY
 - POWER CONTACT : COPPER ALLOY
 - GROUND PLATE : COPPER ALLOY
 - NUT : STAINLESS STEEL
 - △ FINISH
 - SIGNAL CONTACT & POWER CONTACT
Au PI. ON CONTACT AREA
Sn-Pb PI. ON SOLDER AREA
Ni UNDER PI. ALL OVER
GROUND PLATE
Tin PI. ALL OVER (REFLOW)
Cu PI. UNDER PI. ALL OVER
 - 3 APPLICABLE THICKNESS OF P.C.BOARD : 1.2±0.1mm
 - 4 CONNECTOR TO BE MATED : X-1674036-X
 - △5 RECOMMENDED TIGHTENING TORQUE : FROM 0.15N・m(1.5kgf・cm) TO 0.2N・m(2kgf・cm)
 - △6 APPLICABLE POSITION NUMBER ;
1~120 POS. : APPLICABLE TO EVEN NUMBER POSITION
121~240 POS. : APPLICABLE TO ODD NUMBER POSITION
 - △7 APPLICABLE POSITION NUMBER ;
1~120 POS. : APPLICABLE TO ODD NUMBER POSITION
121~240 POS. : APPLICABLE TO EVEN NUMBER POSITION

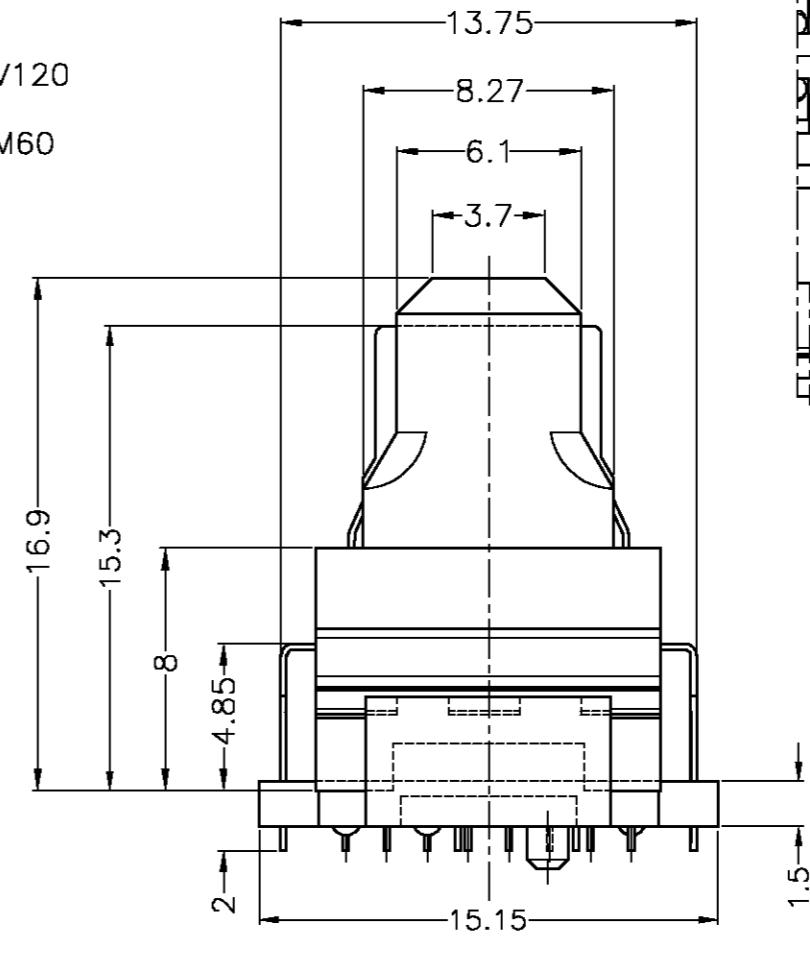
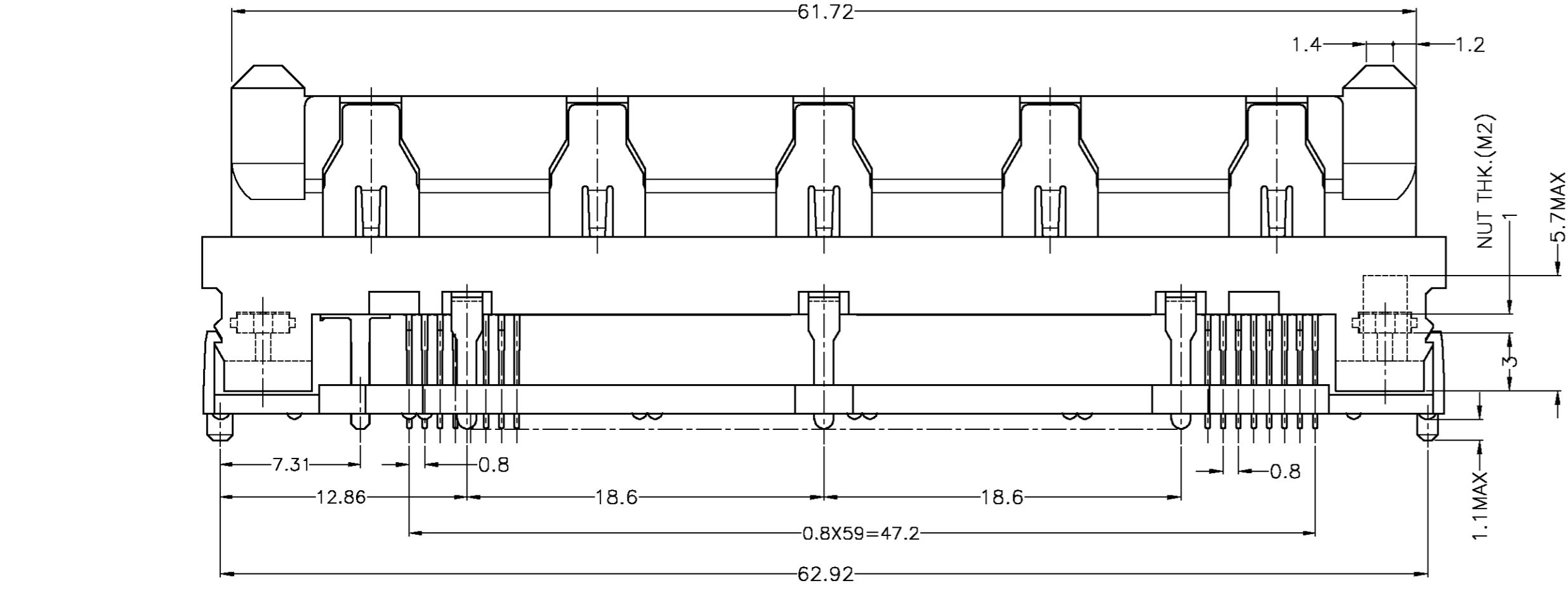
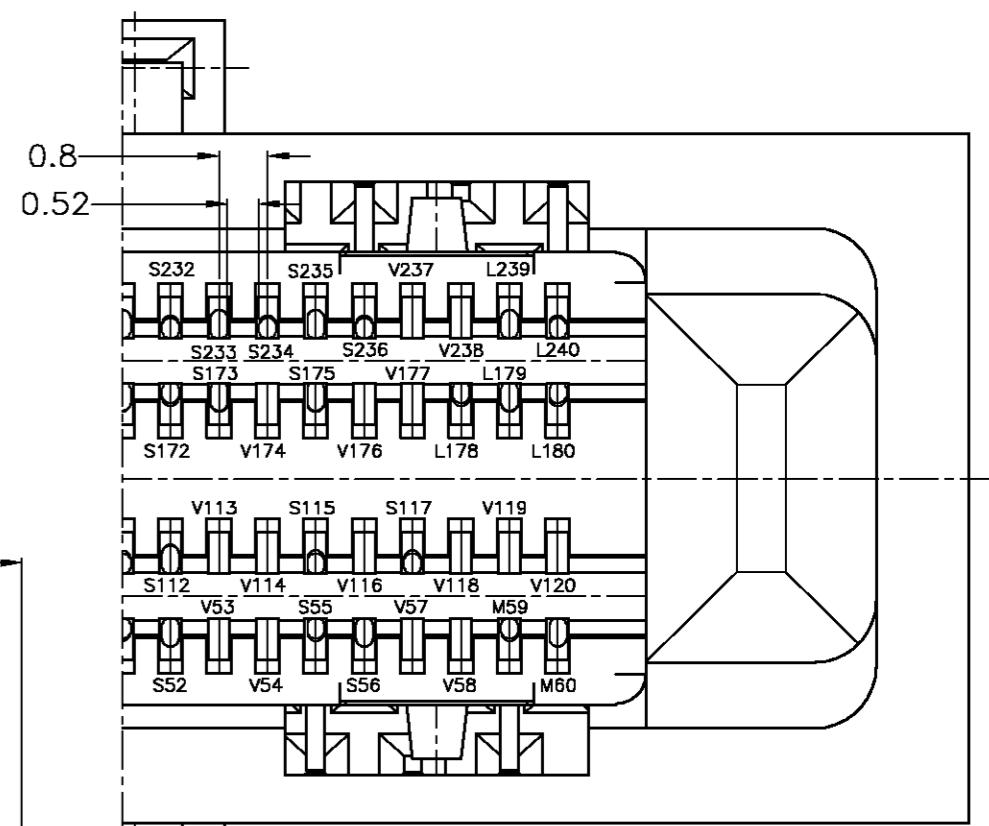
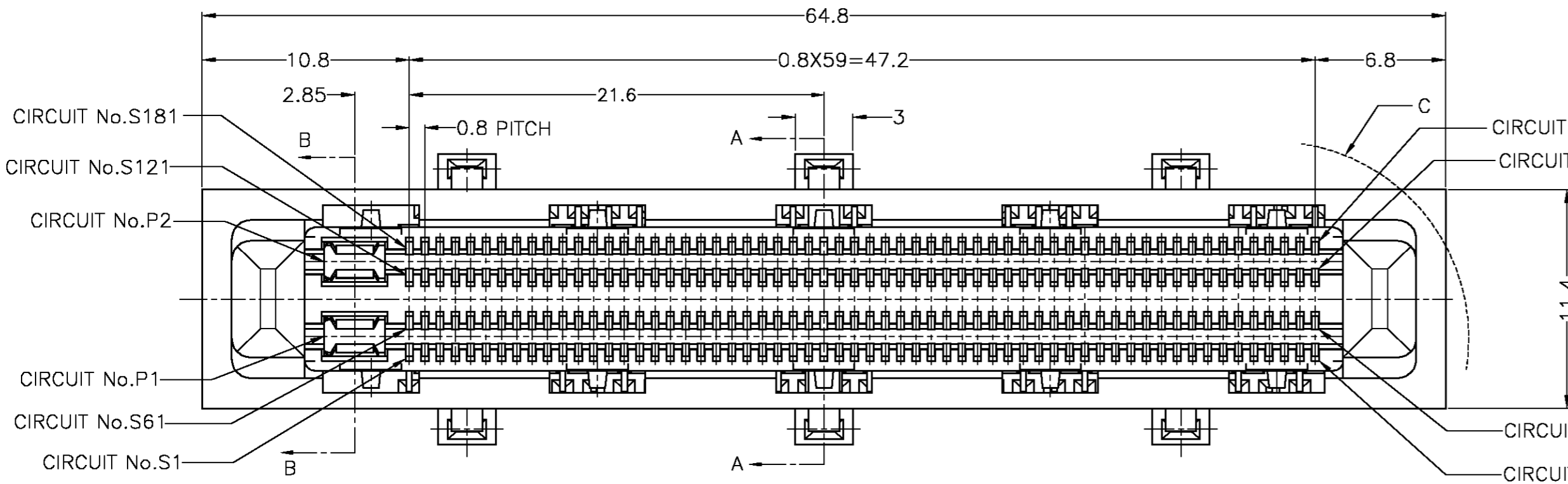


2	NUT	6
1	TINE PLATE (TYPE 1)	5
2	GROUND PLATE (TYPE 1)	4
2	POWER CONTACT	3
225	SIGNAL CONTACT	2
1	HOUSING	1
-1	NAME	ITEM NO.

THIS DRAWING IS A CONTROLLED DOCUMENT.		DWN	tyco Tyco Electronics AMP K.K. Kawasaki, Japan	
DIMENSIONS: MM		CHK	NAME	
TOLERANCES UNLESS OTHERWISE SPECIFIED:		APVD	REC ASSY V (240P + POWER 2P)	
0 PLG ±	± 0.3	PRODUCT SPEC	FOR 0.8 mm PITCH DOCKING CONN.	
1 PLG ±	± 0.3	APPLICATION SPEC	SIZE	CAGE CODE
2 PLG ±	± 3'		A2	00779
3 PLG ±	± 3'		DRAWING NO	RESTRICTED TO
4 PLG ±	±		C=1674037	-
MATERIAL	FINISH	WEIGHT	SCALE 4:1 SHEET 2 OF 4 REV A	
SEE NOTE	SEE NOTE	CUSTOMER DRAWING		

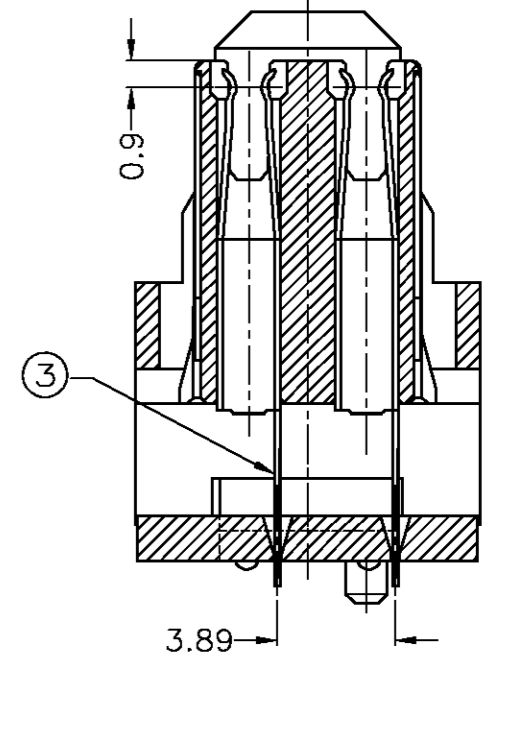
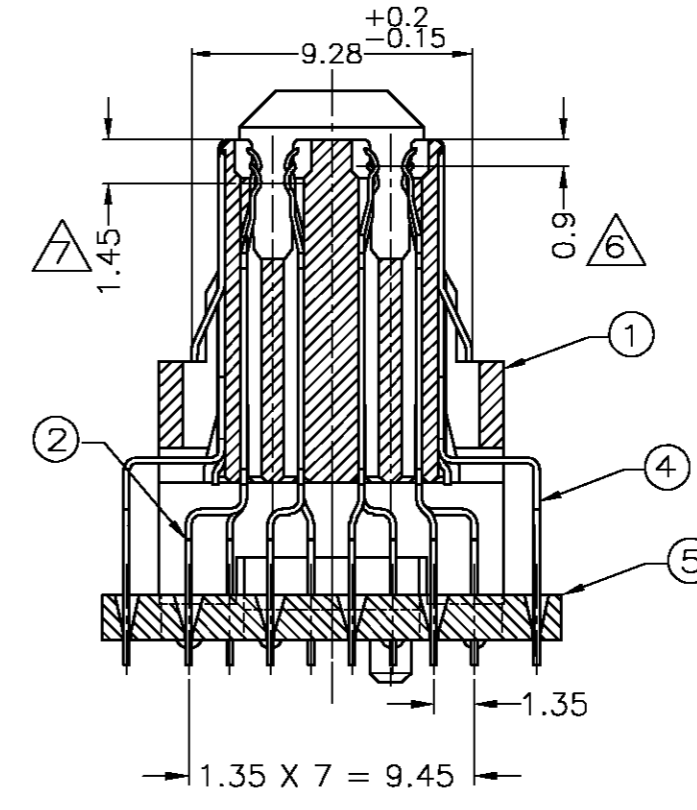
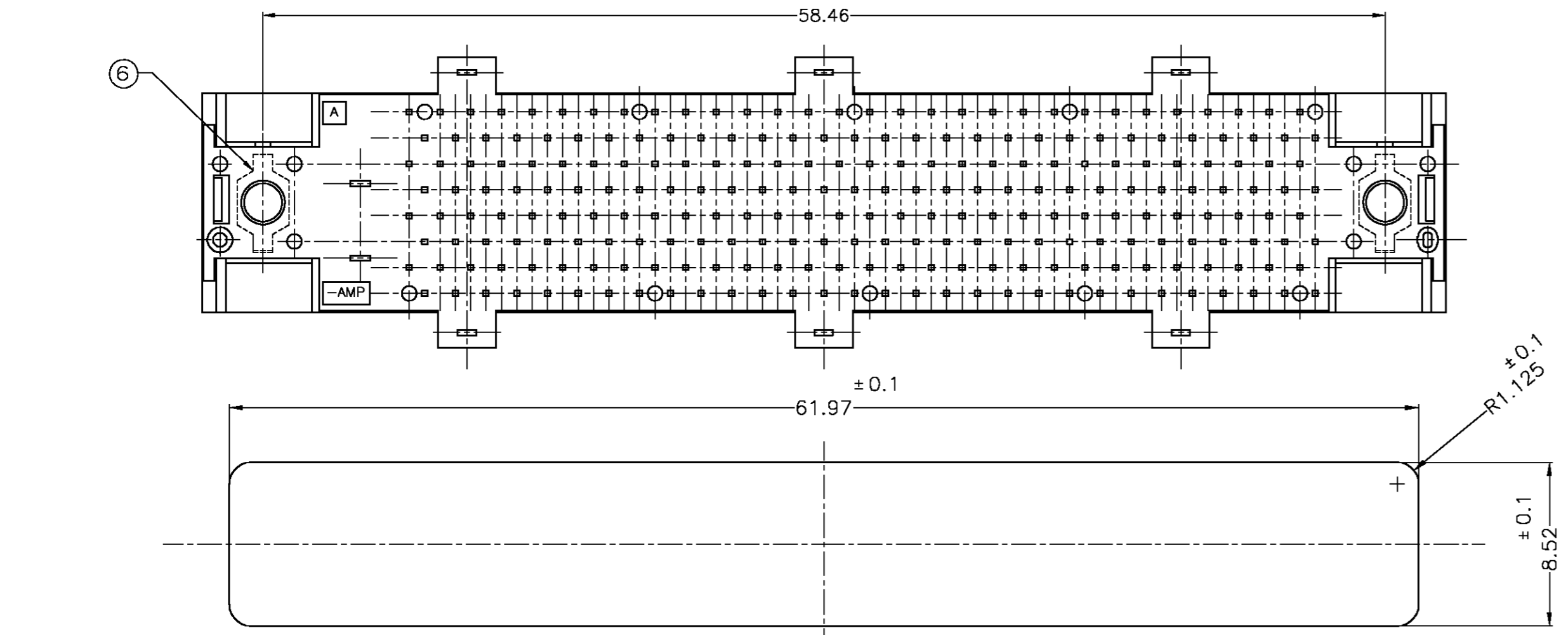
THIS DRAWING IS UNPUBLISHED. RELEASED FOR PUBLICATION 2002.
 © COPYRIGHT 2002 BY TYCO ELECTRONICS CORPORATION. ALL RIGHTS RESERVED.

LOC		DIST		REVISIONS				
J				REV	DESCRIPTION	DATE	DWN	APVD



極数
 SIGNAL 218P
 MODEM 2P
 LAN 5P
 VOID 15P
 POWER 2P

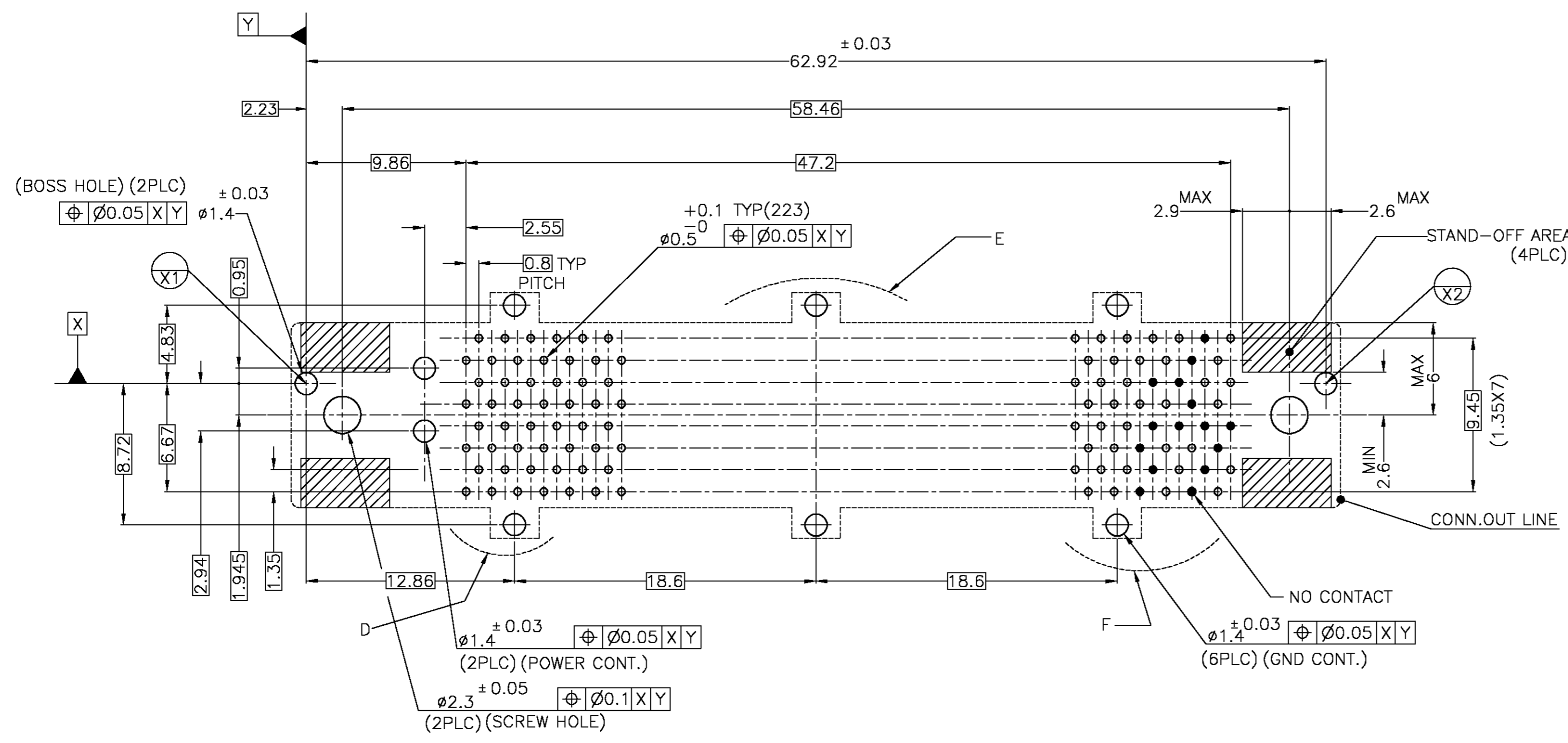
1674037-2 ; AS SHOWN
 SHEET 3 & 4



THIS DRAWING IS A CONTROLLED DOCUMENT.		DWN	-	tyco Electronics		Tyco Electronics AMP K.K. Kawasaki, Japan	
DIMENSIONS: MM		CHK	-	NAME		REC ASSY V (240P + POWER 2P)	
TOLERANCES UNLESS OTHERWISE SPECIFIED:		APVD	-	PRODUCT SPEC		FOR 0.8 mm PITCH DOCKING CONN.	
6 PLG ±		APPLICATION SPEC	-	SIZE	CAGE CODE	DRAWING NO	RESTRICTED TO
1 PLG ± 0.3		WEIGHT	12.6g	A2	00779	C=1674037	-
2 PLG ± 3'		CUSTOMER DRAWING		SCALE	4:1	SHEET	3 OF 4
3 PLG ±				REV	A		
4 PLG ±							
ANGLES ±							
FINISH							

THIS DRAWING IS UNPUBLISHED. RELEASED FOR PUBLICATION 2002.
 © COPYRIGHT 2002 BY TYCO ELECTRONICS CORPORATION. ALL RIGHTS RESERVED.

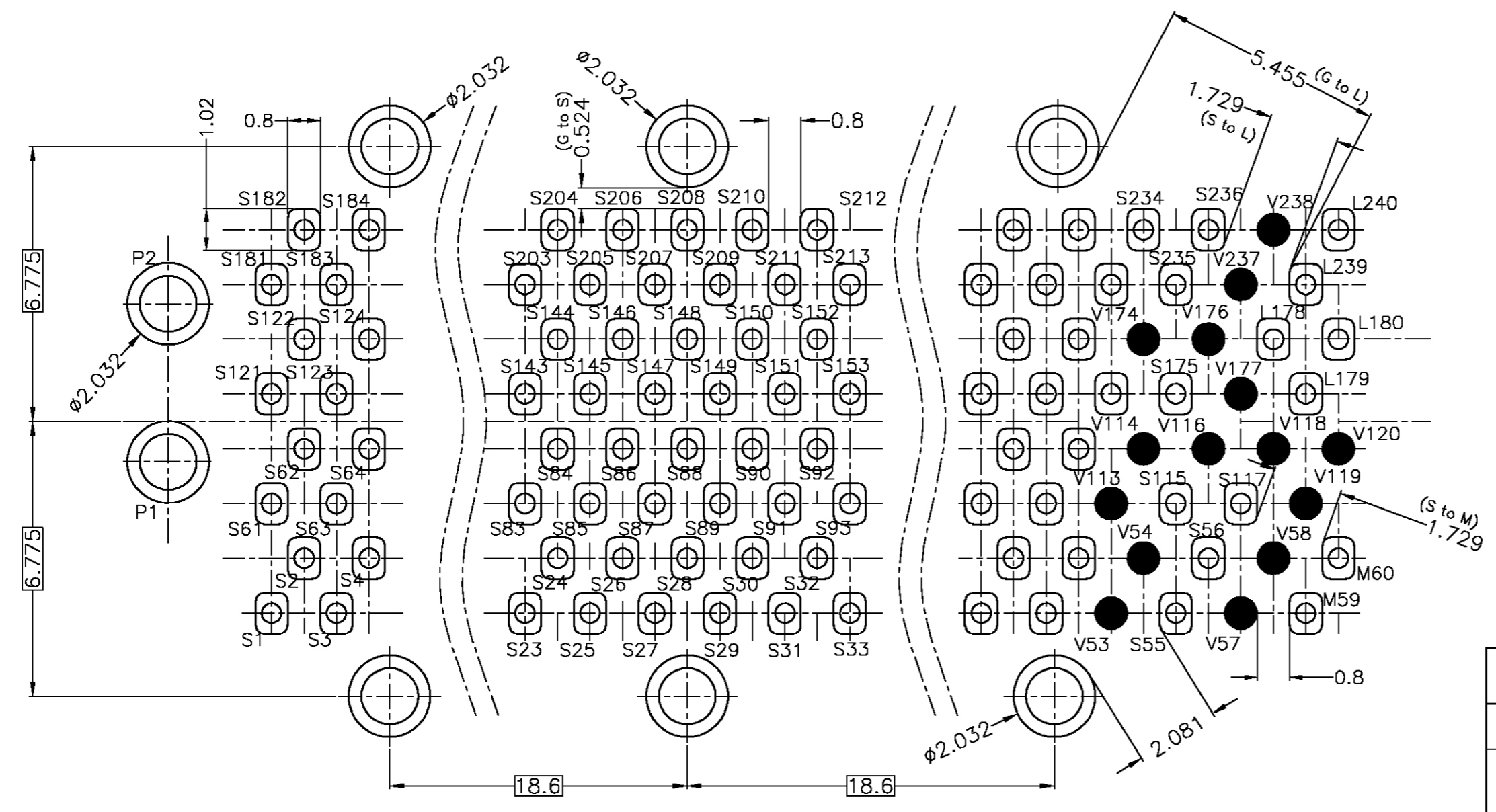
LOC	DIST	REVISIONS			
J		REV	DESCRIPTION	DATE	APVD



RECOMMENDED PC BOARD DIMENSIONS (MOUNTING SIDE)
 推奨基板寸法 (実装面)

注記
 ▲材質
 ハウジング : 熱可塑性樹脂 UL94V-0, 黒
 タイムプレート : 熱可塑性樹脂 UL94V-0, グレー
 シグナルコンタクト : 銅合金
 パワーコンタクト : 銅合金
 グランドプレート : 銅合金
 ナット : ステンレス鋼
 ▲仕上
 シグナルコンタクト & パワーコンタクト :
 ニッケル下地接点部全めっき、はんだ付け部はんだめっき
 グランドプレート : 銅下地すずめっき(リフロー)
 3 適用基板厚 : 1.2 ± 0.1mm
 4 嵌合相手型番 : X-1674036-X
 ▲推奨ねじ締め付けトルク : 0.15N・m(1.5kgf・cm)から0.2N・m(2kgf・cm)
 ▲適用極 No. : 1~120極間 : 偶数極、121~240極間 : 奇数極に適用。
 ▲適用極 No. : 1~120極間 : 奇数極、121~240極間 : 偶数極に適用。

NOTE
 ▲ MATERIAL
 HOUSING : THERMOPLASTIC, UL94V-0, BLACK
 TIME PLATE : THERMOPLASTIC, UL94V-0, GRAY
 SIGNAL CONTACT: COPPER ALLOY
 POWER CONTACT : COPPER ALLOY
 GROUND PLATE : COPPER ALLOY
 NUT : STAINLESS STEEL
 ▲ FINISH
 SIGNAL CONTACT & POWER CONTACT
 Au PI. ON CONTACT AREA
 Sn-Pb PI. ON SOLDER AREA
 Ni UNDER PI. ALL OVER
 GROUND PLATE
 Tin PI. ALL OVER (REFLOW)
 Cu PI. UNDER PI. ALL LVER
 3 APPLICABLE THICKNESS OF P.C.BOARD : 1.2 ± 0.1mm
 4 CONNECTOR TO BE MATED : X-1674036-X
 ▲ RECOMMENDED TIGHTENING TORQUE : FROM 0.15N・m(1.5kgf・cm)
 TO 0.2N・m(2kgf・cm)
 ▲ APPLICABLE POSITION NUMBER ;
 1~120 POS. : APPLICABLE TO EVEN NUMBER POSITION
 121~240 POS. : APPLICABLE TO ODD NUMBER POSITION
 ▲ APPLICABLE POSITION NUMBER ;
 1~120 POS. : APPLICABLE TO ODD NUMBER POSITION
 121~240 POS. : APPLICABLE TO EVEN NUMBER POSITION



DETAIL D (SCALE 8:1)

DETAIL E (SCALE 8:1)

DETAIL F (SCALE 8:1)

2	NUT	6
1	TIME PLATE (TYPE 2)	5
2	GROUND PLATE (TYPE 2)	4
2	POWER CONTACT	3
225	SIGNAL CONTACT	2
1	HOUSING	1
-2	NAME	ITEM NO.

THIS DRAWING IS A CONTROLLED DOCUMENT.		DWN	tyco Tyco Electronics AMP K.K. Kawasaki, Japan	
DIMENSIONS: MM		CHK	NAME	
TOLERANCES UNLESS OTHERWISE SPECIFIED:		APVD	REC ASSY V (240P + POWER 2P)	
0-PLC ± 1-PLC ± ± 0.3 2-PLC ± ± 3' 3-PLC ± ± 3' 4-PLC ± ± ANGLES ± FINISH ±		PRODUCT SPEC	FOR 0.8 mm PITCH DOCKING CONN.	
MATERIAL SEE NOTE		APPLICATION SPEC	SIZE	RESTRICTED TO
SEE NOTE		WEIGHT	A2	-
		CUSTOMER DRAWING	00779	1674037
		SCALE	4:1	SHEET 4 OF 4

1674037