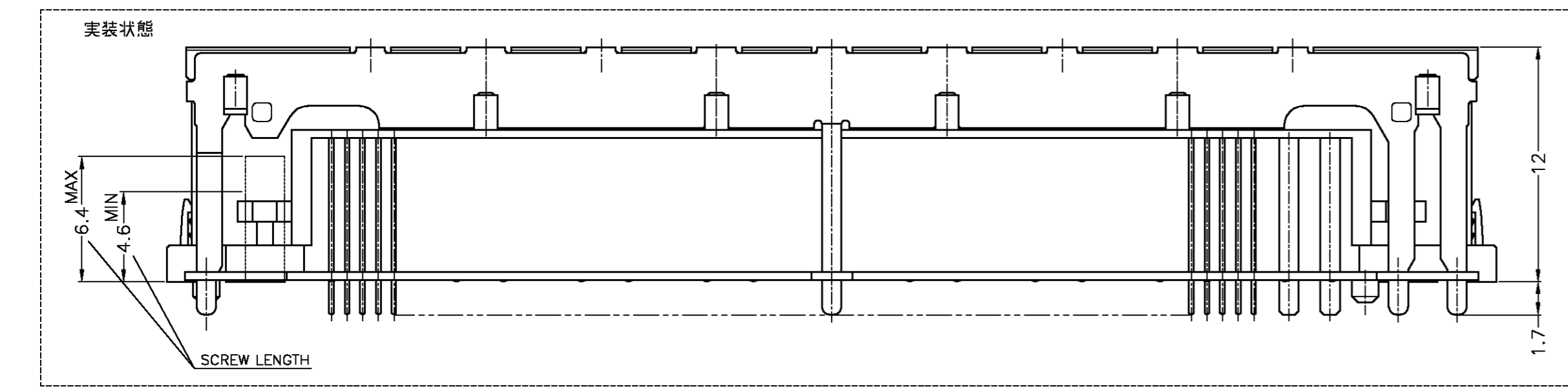
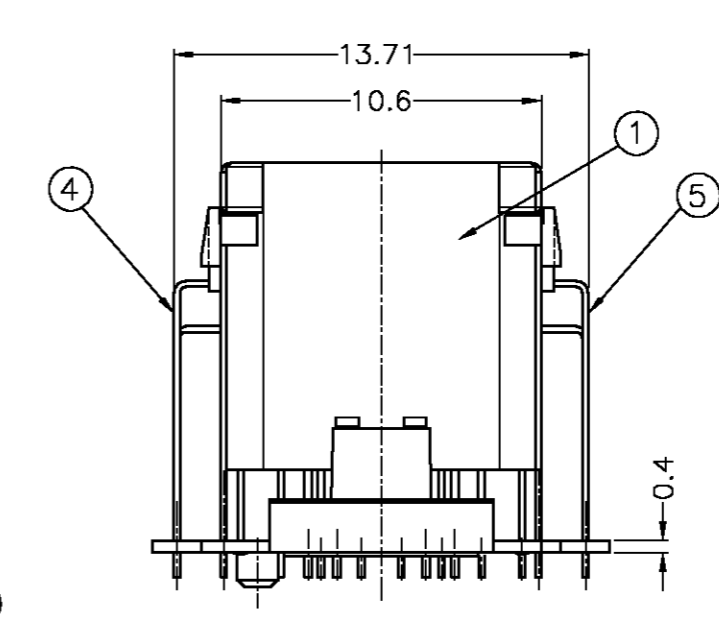
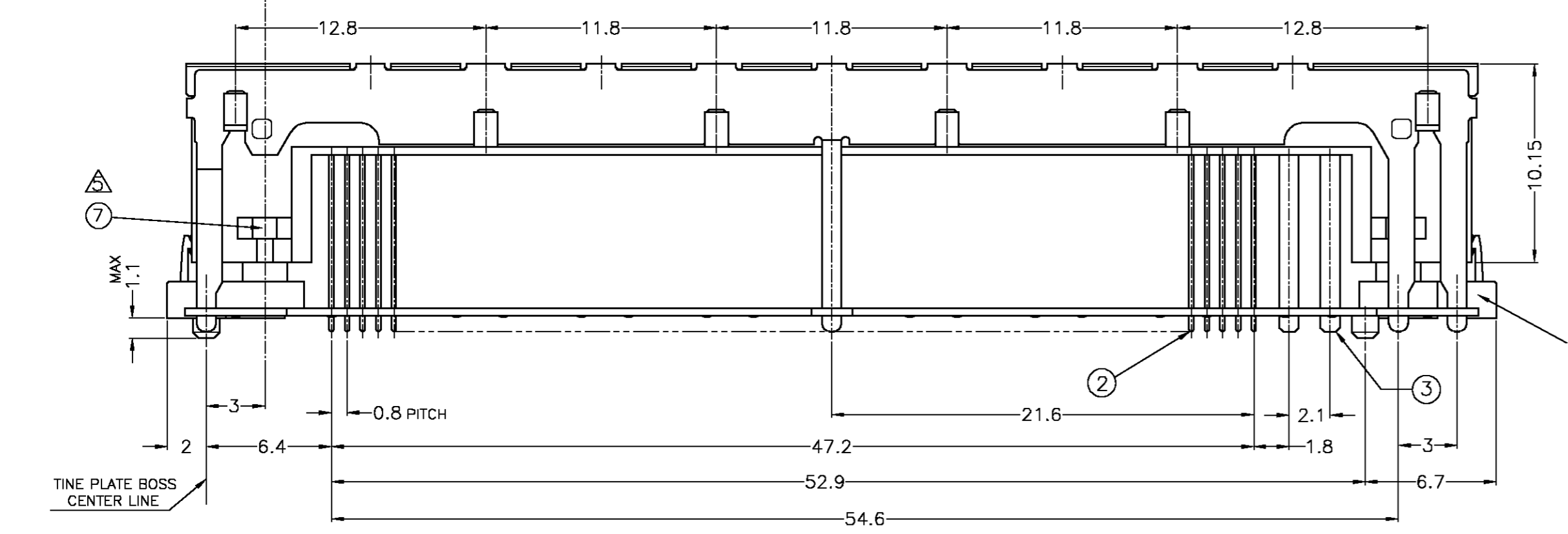
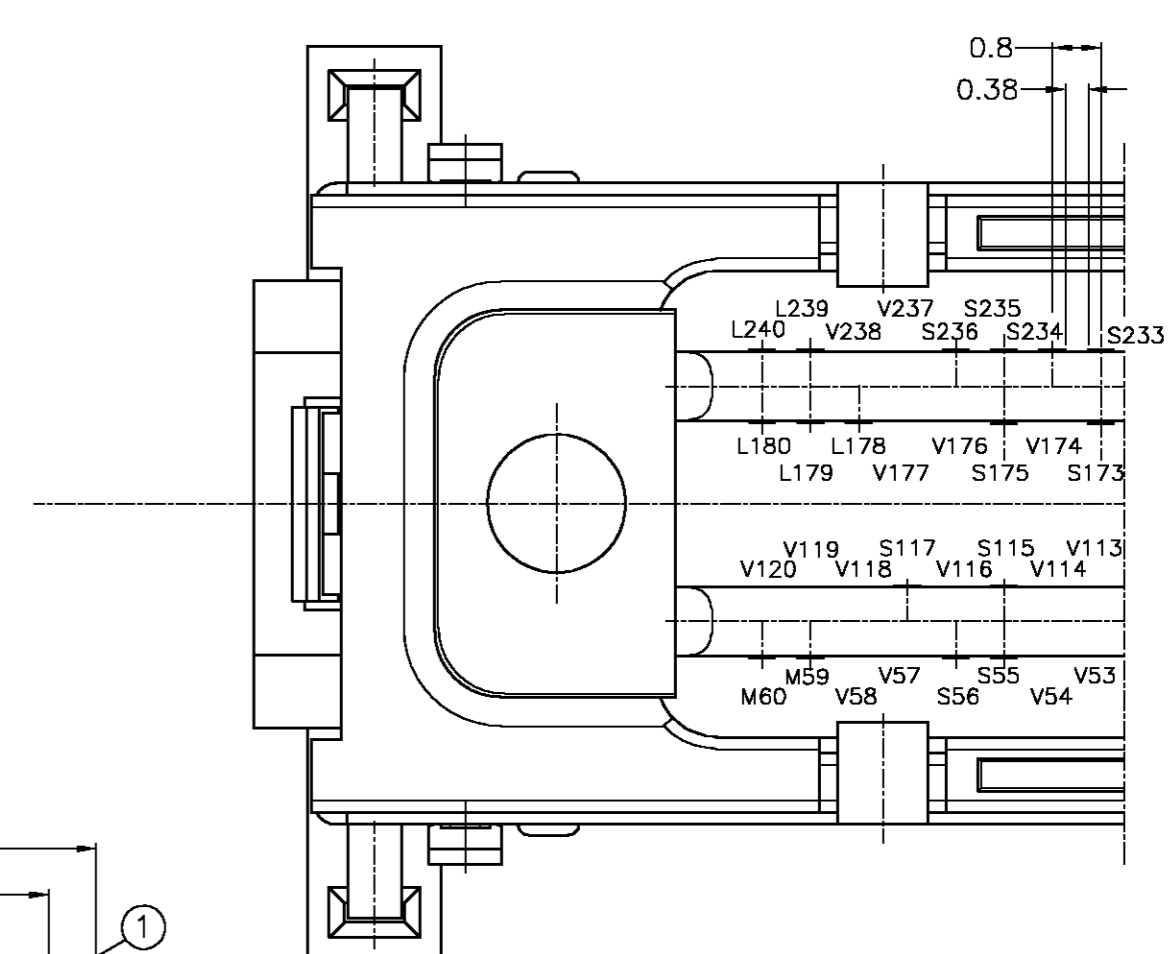
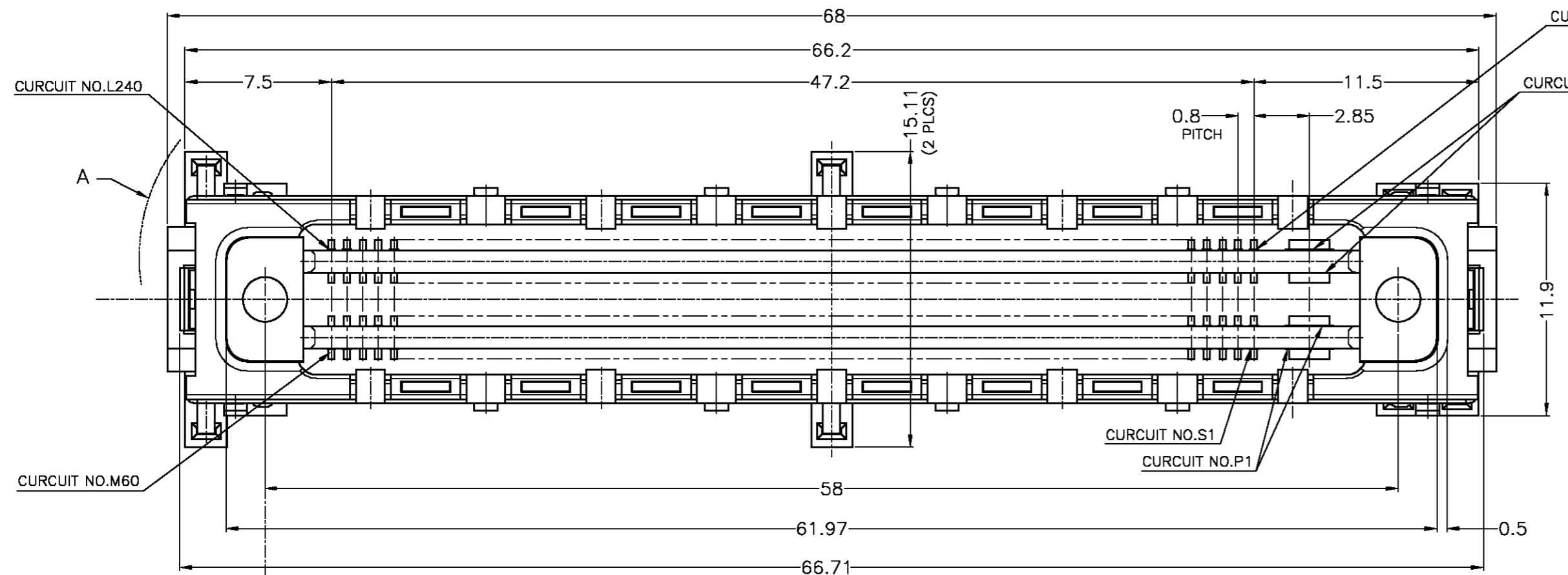


LOC	DIST	REVISONS					
J		P	LTR	DESCRIPTION	DATE	DWN	APVD
		E		REVISED (ECR-05-002050)	20APR05	T.K	I.E



極数
 SIGNAL 218P
 MODEM 2P
 LAN 5P
 VOID 15P
 POWER 2P

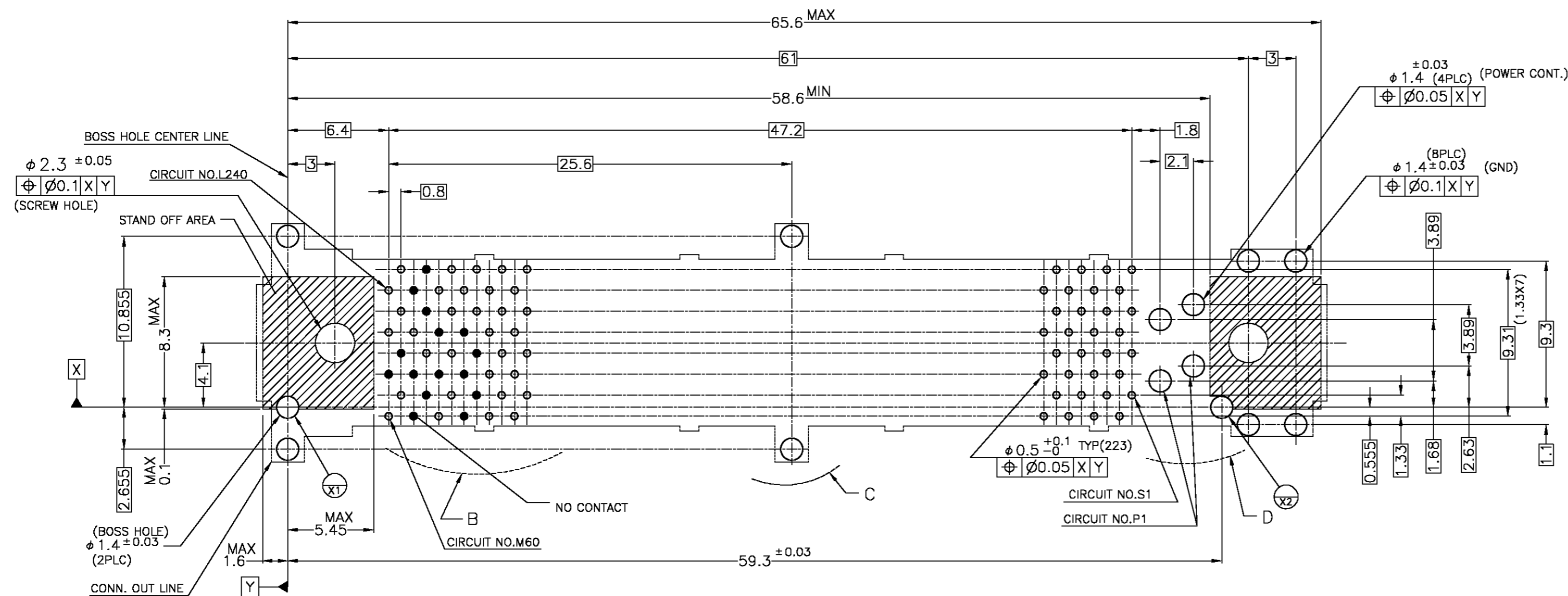
1674036-1;AS SHOWN
 SHEET 1 & 2

THIS DRAWING IS A CONTROLLED DOCUMENT.		DWN	JSEP02	tyco Electronics		Tyco Electronics AMP K.K. Kawasaki, Japan	
DIMENSIONS: MM		CHK	JSEP02	NAME		0.8 DOCKING CONNECTOR PLUG (240P + POWER 2P)	
TOLERANCES UNLESS OTHERWISE SPECIFIED:		APVD	JSEP02	PRODUCT SPEC		SIZE	
8 PLC ± 10 ± 0.2 1 PLC ± 30 ± 0.25 2 PLC ± 30 ± 0.25 3 PLC ± 100 ± 0.3 *PLC ANGLES ± 3°		108-5742	APPLICATION SPEC	CAGE CODE		DRAWING NO	
MATERIAL		WEIGHT	6.8 g(-1)	A2 00779		RESTRICTED TO	
FINISH		CUSTOMER DRAWING		SCALE		SHEET	
				4:1		1 OF 7	
						REV E	

H12	NAME	ITEM NO.
2	NUT	7
1	TINE PLATE, TYPE-1 (FOR H12)	6
1	G-PLATE RIGHT, TYPE-1 (FOR H12)	5
1	G-PLATE LEFT, TYPE-1 (FOR H12)	4
4	POWER CONTACT (FOR H12)	3
225	SIGNAL CONTACT	2
1	HSG B (FOR H12)	1
-1		

THIS DRAWING IS UNPUBLISHED. RELEASED FOR PUBLICATION 2000.
 © COPYRIGHT 2000 BY TYCO ELECTRONICS CORPORATION. ALL RIGHTS RESERVED.

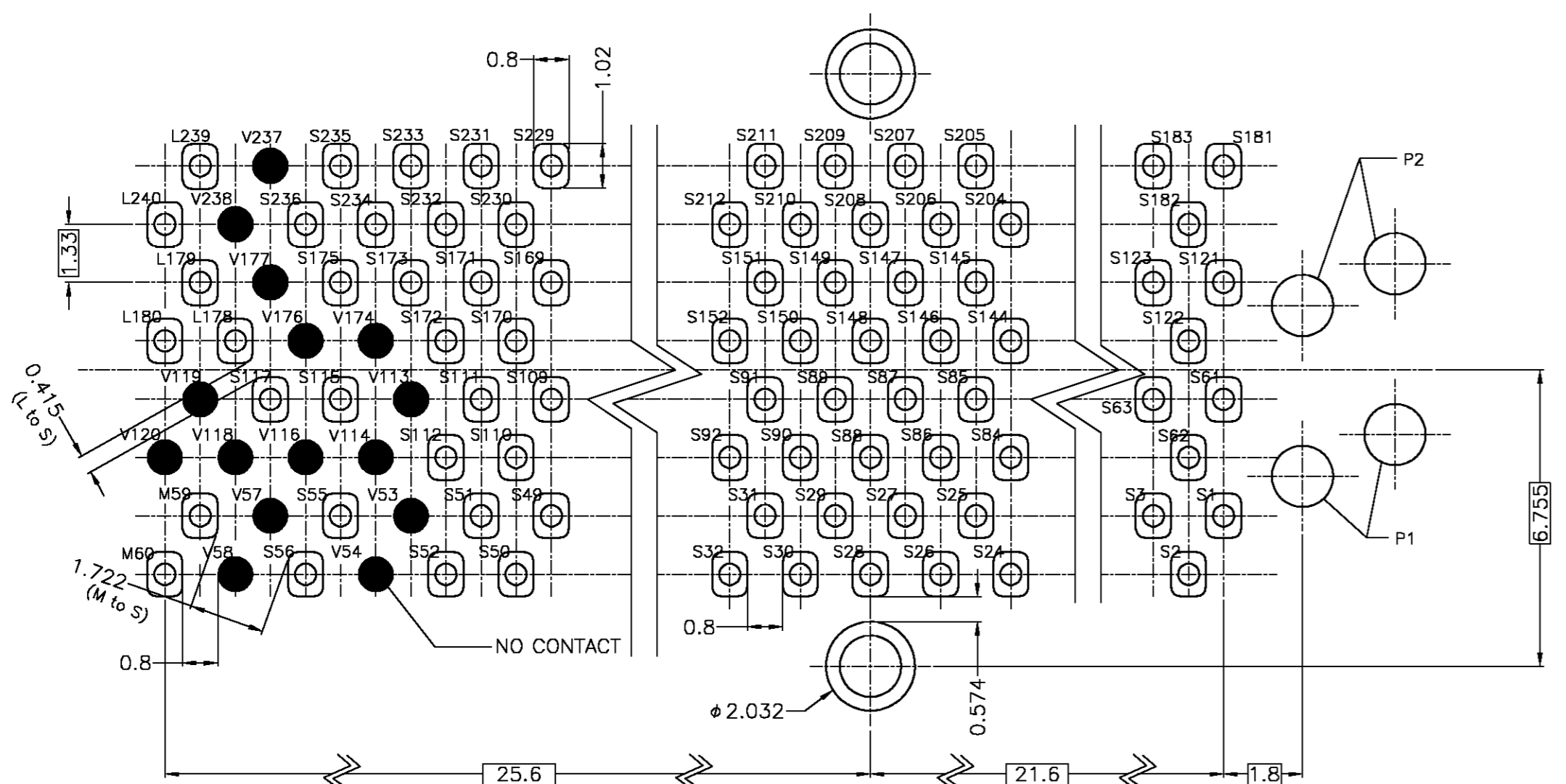
LOC		DIST		REVISIONS			
P	LTR	DESCRIPTION	DATE	DWN	APVD		
J				変更			
		SEE SHEET 1					



P.C. BOARD LAYOUT

注記
 1 材質
 ハウジング : 熱可塑性樹脂 UL94V-0, 黒
 タイムプレート : 熱可塑性樹脂 UL94V-0, 黒
 シグナルコンタクト : 銅合金
 パワーコンタクト : 銅合金
 グランドプレート : 銅合金
 ナット : ステンレス鋼
 2 仕上
 シグナルコンタクト & パワーコンタクト :
 ニッケル下地接点部金めっき、はんだ付け部はんだめっき
 グランドプレート : 銅下地すめっき (リフロー)
 3 適用基板厚 : 1.2 ± 0.1mm
 4 かん合相手型番 : 1674037-1, -2
 5 推奨ねじ締め付けトルク : 0.15N・m(1.5kgf・cm)から0.2N・m(2kgf・cm)

NOTE
 1 MATERIAL
 HOUSING : THERMOPLASTIC, UL94V-0, BLACK
 TIME PLATE : THERMOPLASTIC, UL94V-0, BLACK
 SIGNAL CONTACT: COPPER ALLOY
 POWER CONTACT : COPPER ALLOY
 GROUND PLATE : COPPER ALLOY
 NUT : STAINLESS STEEL
 2 FINISH
 SIGNAL CONTACT & POWER CONTACT
 Au Pl. ON CONTACT AREA
 Sn-Pb Pl. ON SOLDER AREA
 Ni UNDER Pl. ALL OVER
 GROUND PLATE
 Tin Pl. ALL OVER (REFLOW)
 Cu UNDER Pl. ALL OVER
 3 APPLICABLE THICKNESS OF P.C.BOARD : 1.2 ± 0.1mm
 4 CONNECTOR TO BE MATED : 1674037-1, -2
 5 RECOMMENDED TIGHTENING TORQUE : FROM 0.15N・m(1.5kgf・cm) TO 0.2N・m(2kgf・cm)



DETAIL B (SCALE 8:1)

DETAIL C (SCALE 8:1)

DETAIL D (SCALE 8:1)

THIS DRAWING IS A CONTROLLED DOCUMENT.		DWN	tyco Tyco Electronics AMP K.K. Kawasaki, Japan	
DIMENSIONS: MM		CHK	NAME	
TOLERANCES UNLESS OTHERWISE SPECIFIED		APVD	PRODUCT SPEC	
0 PLC ±		PRODUCT SPEC	APPLICATION SPEC	
1 PLC ±		APPLICATION SPEC	WEIGHT	
2 PLC ±		WEIGHT	SCALE 4:1 SHEET 2 OF 7 REV E	
3 PLC ±		CUSTOMER DRAWING	RESTRICTED TO	
4 PLC ±		SCALE 4:1	SHEET 2 OF 7 REV E	
ANGLES ±		SIZE A2 CAGE CODE 00779 DRAWING NO C=1674036		
FINISH ±		CUSTOMER DRAWING		

1674036

4

3

2

1

THIS DRAWING IS UNPUBLISHED. RELEASED FOR PUBLICATION 2000.
 © COPYRIGHT 2000 BY TYCO ELECTRONICS CORPORATION. ALL RIGHTS RESERVED.

LOC	DIST	REVISIONS			
P	LTR	DESCRIPTION	DATE	DWN	APVD
-	-	SEE SHEET 1	-	-	-

Top View Dimensions: 68, 66.2, 47.2, 7.5, 11.5, 0.8 PITCH, 2.85, 15.11 (6 PLCS), 11.9, 58, 61.97, 66.71, 0.5.

Side View Dimensions: 12.8, 11.8, 11.8, 11.8, 12.8, 10.15, 1.1 MAX, 7.65, 11.8, 11.8, 7.65, 2.1, 3, 6.4, 0.8 PITCH, 47.2, 21.6, 1.8, 6.7, 52.9, 54.6.

Labels: CURCUIT NO.L240, CURCUIT NO.M60, CURCUIT NO.S181, CURCUIT NO.P2, CURCUIT NO.S1, CURCUIT NO.P1.

Other labels: A, B, C, D, ①, ②, ③, ④, ⑤, ⑥, ⑦.

DETAIL A (SCALE 8:1)

Labels: L239, V237, S235, S233, L240, V238, S236, S234, L180, L178, V176, V174, L179, V177, S175, S173, V119, S117, S115, V113, V120, V118, V116, V114, M59, V57, S55, V53, M60, V58, S56, V54.

Dimensions: 13.71, 10.6, 0.4.

Labels: ①, ②, ③, ④, ⑤.

実装状態

Dimensions: 6.4 MAX, 4.6 MIN, 12, 1.7.

Label: SCREW LENGTH.

1674036-2 ; AS SHOWN
SHEET 3 & 4

極数
SIGNAL 218P
MODEM 2P
LAN 5P
VOID 15P
POWER 2P

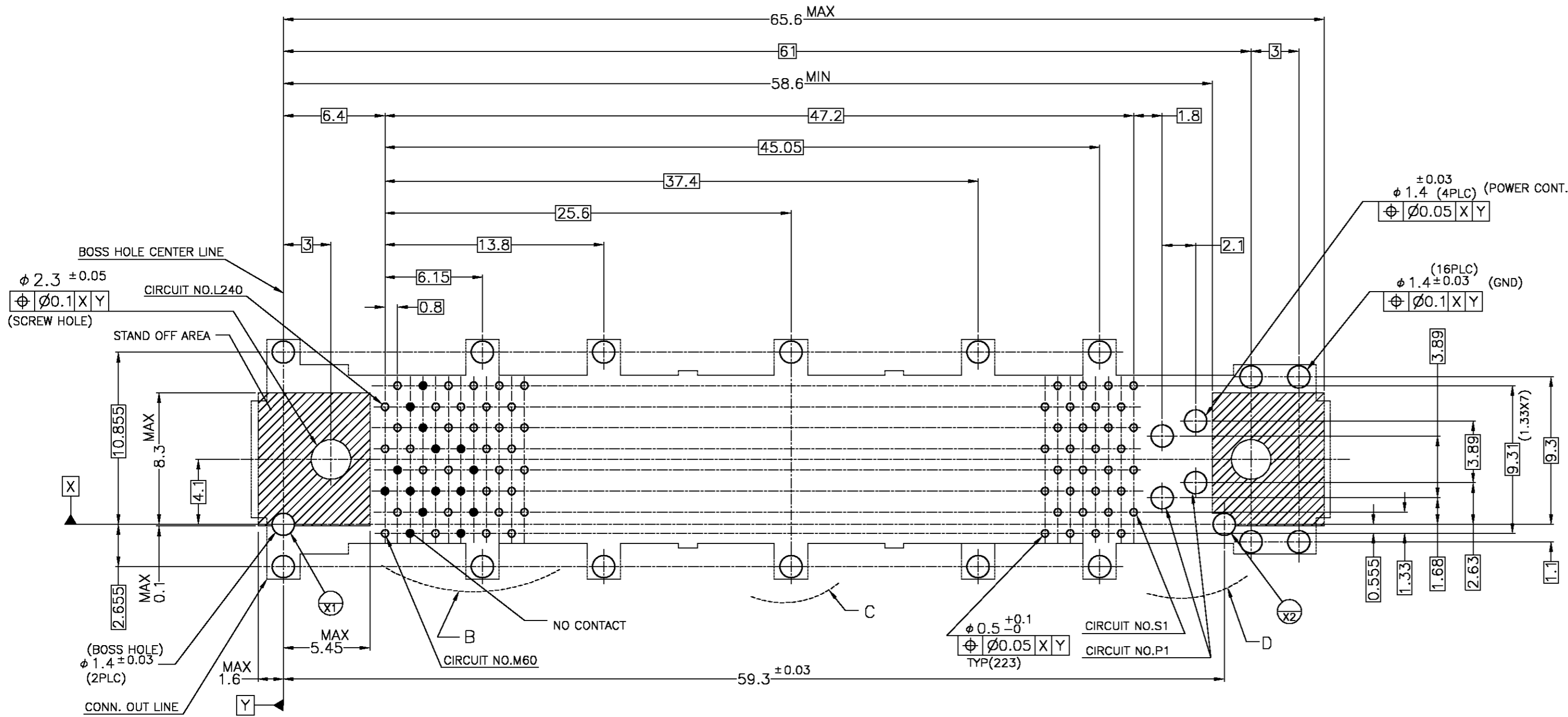
THIS DRAWING IS A CONTROLLED DOCUMENT.		DWN	-	tyco Electronics		Tyco Electronics AMP K.K. Kawasaki, Japan	
DIMENSIONS: MM		CHK	-	NAME			
TOLERANCES UNLESS OTHERWISE SPECIFIED:		APVD	-	0.8 DOCKING CONNECTOR PLUG (240P + POWER 2P)			
8 PLC ± 10 ± 0.2		PRODUCT SPEC	-	SIZE	CAGE CODE	DRAWING NO	RESTRICTED TO
1 PLC ± 30 ± 10 ± 0.25		APPLICATION SPEC	-	A2	00779	C=1674036	
2 PLC ± 100 ± 30 ± 0.3				WEIGHT	8.3 g(-2)		SCALE
3 PLC ± 3				CUSTOMER DRAWING	4:1		SHEET
4 PLC ± 3					3 OF 7		REV
ANGLES ± 3'					E		
FINISH							

AMP 1471-9 REV 31MAR2000

1674036

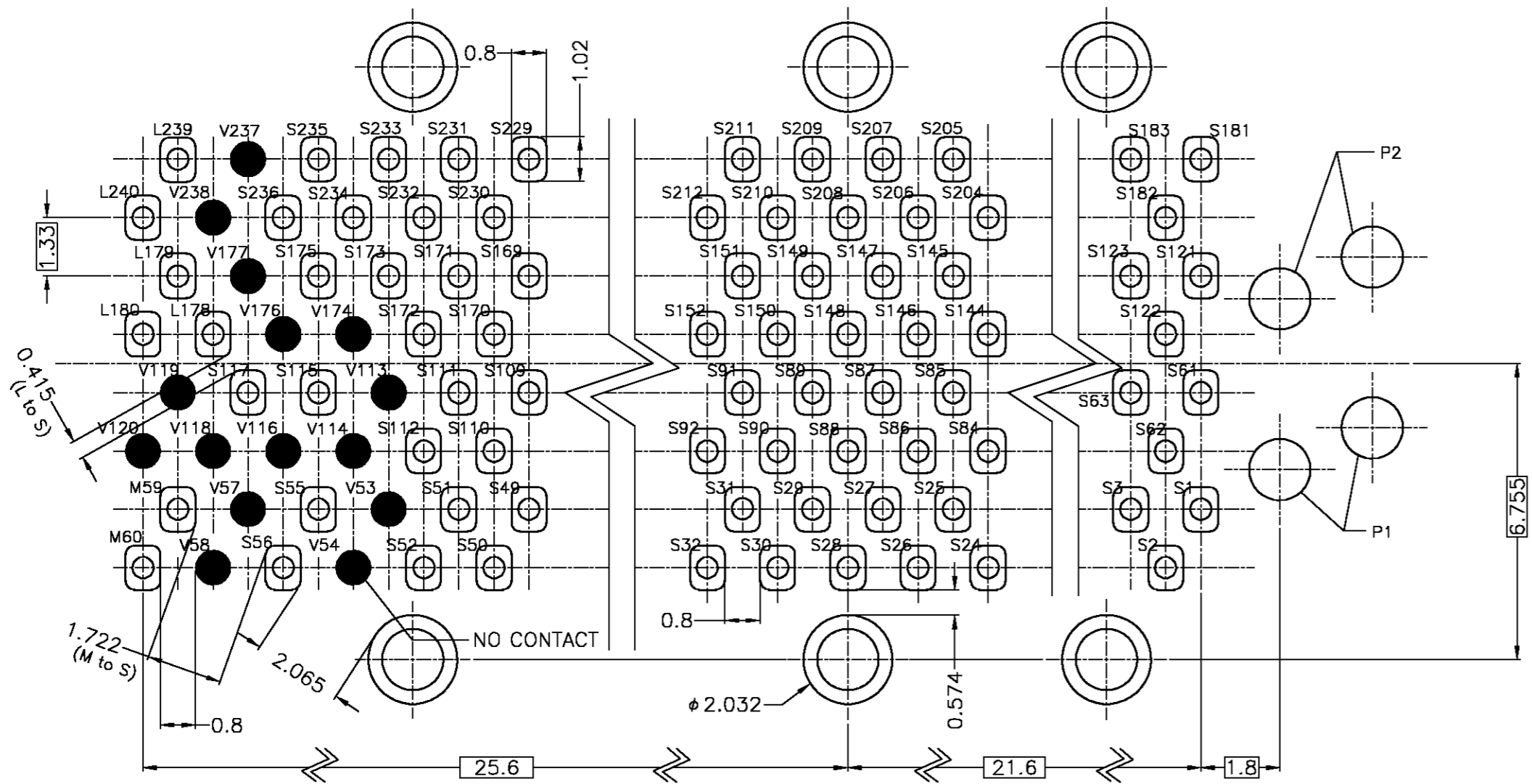
THIS DRAWING IS UNPUBLISHED. RELEASED FOR PUBLICATION 2000.
 © COPYRIGHT 2000 BY TYCO ELECTRONICS CORPORATION. ALL RIGHTS RESERVED.

LOC		DIST		REVISIONS			
P	LTR	DATE	DWN	APVD	DESCRIPTION		
-	-	-	-	-	SEE SHEET 1		



- 注記
- 1 材質
 - ハウジング : 熱可塑性樹脂 UL94V-0, 黒
 - タインプレート : 熱可塑性樹脂 UL94V-0, 黒
 - シグナルコンタクト : 銅合金
 - パワーコンタクト : 銅合金
 - グラウンドプレート : 銅合金
 - ナット : ステンレス鋼
 - 2 仕上
 - シグナルコンタクト & パワーコンタクト : ニッケル下地接点部金めっき、はんだ付け部はんだめっき
 - グラウンドプレート : 銅下地すずめっき (リフロー)
 - 3 適用基板厚 : 1.2 ± 0.1mm
 - 4 かん合相手型番 : 1674037-1, -2
 - 5 推奨ねじ締め付けトルク : 0.15N・m(1.5kgf・cm)から0.2N・m(2kgf・cm)

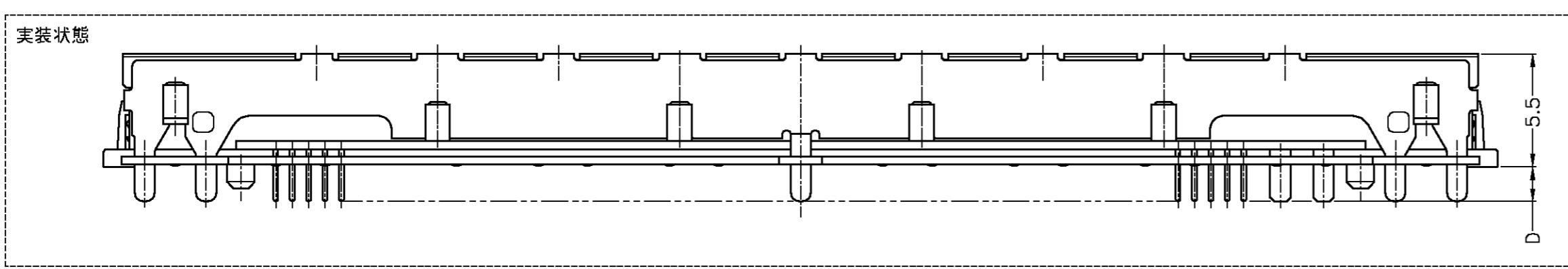
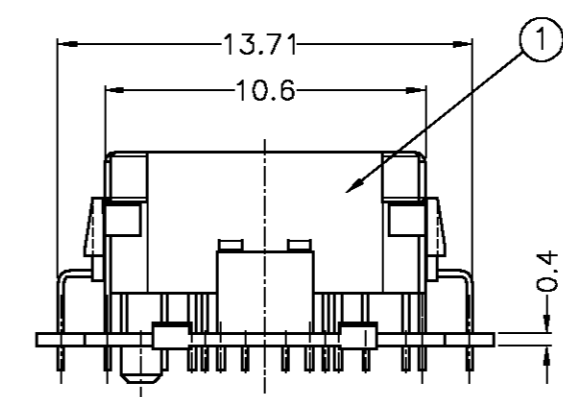
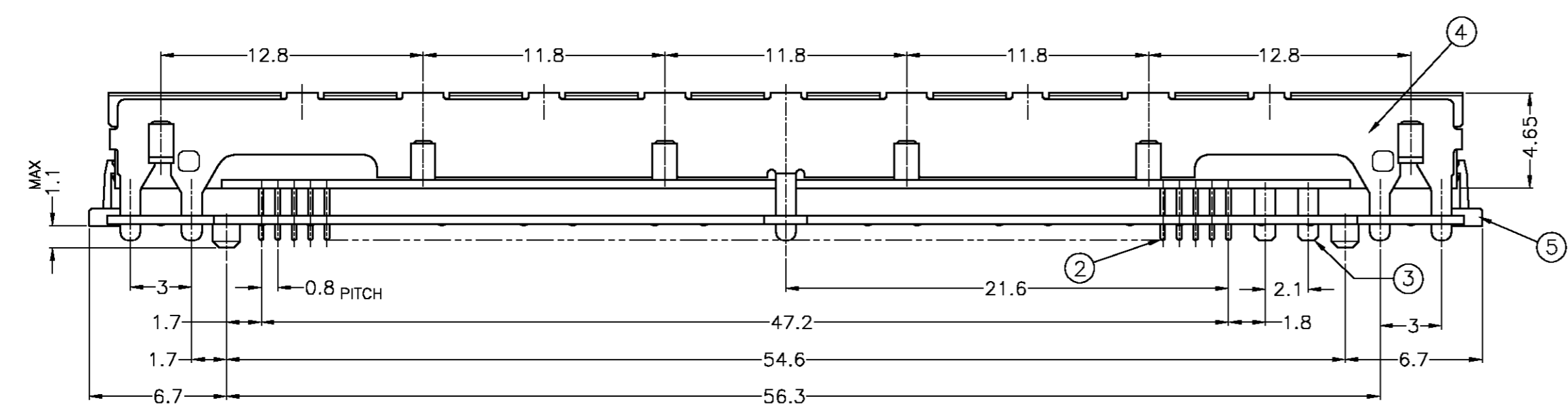
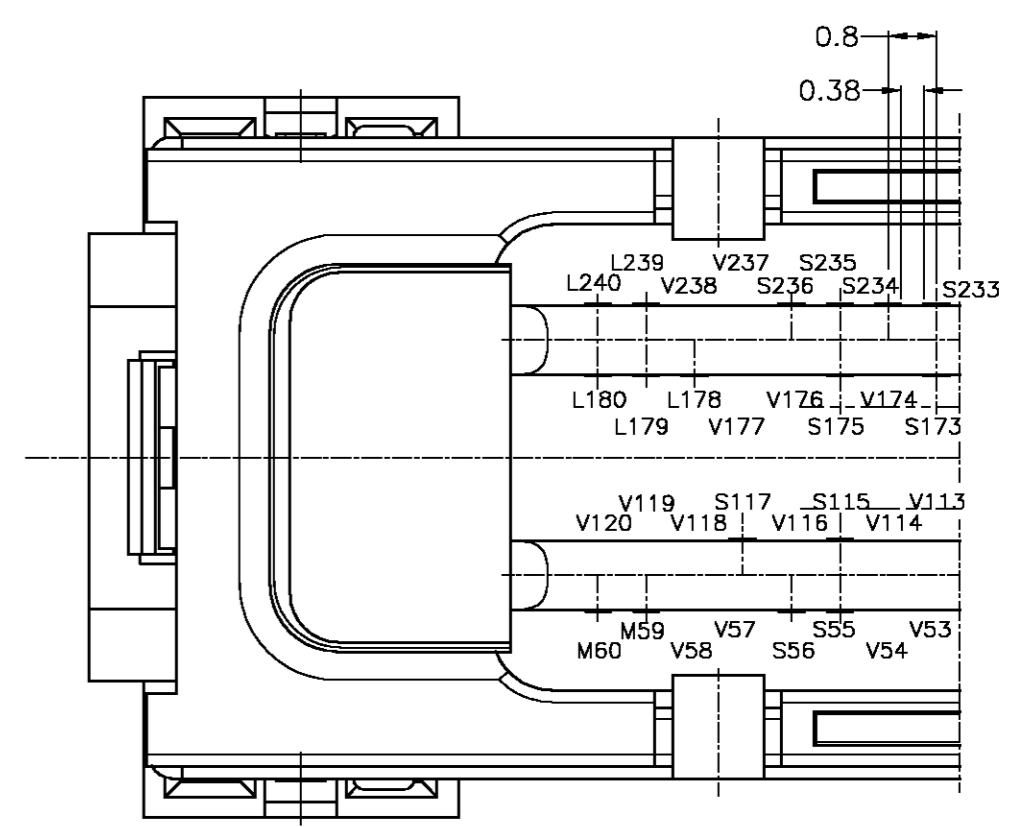
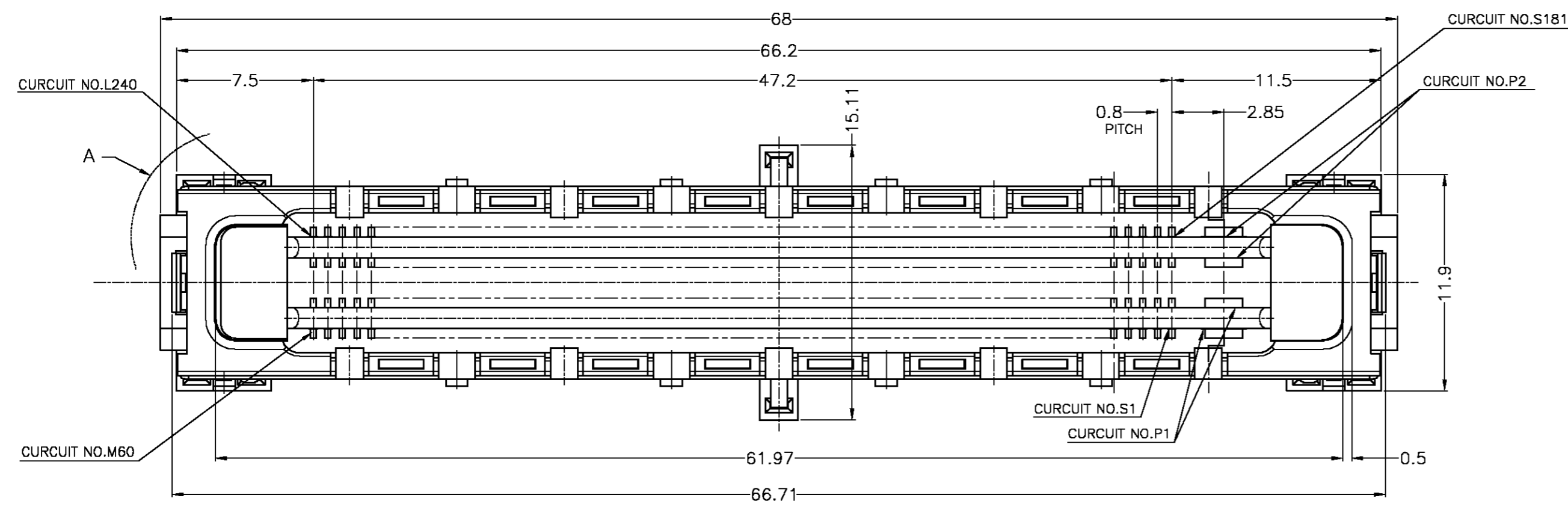
- NOTE
- 1 MATERIAL
 - HOUSING : THERMOPLASTIC, UL94V-0, BLACK
 - TINE PLATE : THERMOPLASTIC, UL94V-0, BLACK
 - SIGNAL CONTACT: COPPER ALLOY
 - POWER CONTACT : COPPER ALLOY
 - GROUND PLATE : COPPER ALLOY
 - NUT : STAINLESS STEEL
 - 2 FINISH
 - SIGNAL CONTACT & POWER CONTACT
 - Au Pl. ON CONTACT AREA
 - Tin-LEAD Pl. ON SOLDER AREA
 - Ni UNDER Pl. ALL OVER
 - GROUND PLATE
 - Tin Pl. ALL OVER (REFLOW)
 - Cu UNDER Pl. ALL OVER
 - 3 APPLICABLE THICKNESS OF P.C.BOARD : 1.2 ± 0.1mm
 - 4 CONNECTOR TO BE MATED : 1674037-1, -2
 - 5 RECOMMENDED TIGHTENING TORQUE : FROM 0.15N・m(1.5kgf・cm) TO 0.2N・m(2kgf・cm)



THIS DRAWING IS A CONTROLLED DOCUMENT.		DWN	tyco Tyco Electronics AMP K.K. Kawasaki, Japan	
DIMENSIONS: MM		CHK	NAME	
TOLERANCES UNLESS OTHERWISE SPECIFIED		APVD	0.8 DOCKING CONNECTOR PLUG (240P + POWER 2P)	
0 PLC ±		PRODUCT SPEC	SIZE	CAGE CODE
1 PLC ±		APPLICATION SPEC	A2	00779
2 PLC ±		WEIGHT	DRAWING NO	RESTRICTED TO
3 PLC ±		CUSTOMER DRAWING	C=1674036	
4 PLC ±		SCALE	4:1	SHEET 4 OF 7
ANGLES ±		REV	E	
FINISH				

THIS DRAWING IS UNPUBLISHED. RELEASED FOR PUBLICATION 2000.
 © COPYRIGHT 2000 BY TYCO ELECTRONICS CORPORATION. ALL RIGHTS RESERVED.

LOC	DIST	REVISIONS					
J		P	LTR	DESCRIPTION	DATE	DWN	APVD
		-	-	SEE SHEET 1	-	-	-



極数
 SIGNAL 218P
 MODEM 2P
 LAN 5P
 VOID 15P
 POWER 2P

SIZE	CAGE CODE	DRAWING NO	RESTRICTED TO
H5.5			
1		TINE PLATE (FOR H5.5)	5
2		G-PLATE (FOR H5.5)	4
4		POWER CONTACT (FOR H5.5)	3
225		SIGNAL CONTACT	2
1		HSG A (FOR H5.5)	1
1- -1		NAME	ITEM NO.

1-1674036-1; AS SHOWN
 SHEET 5 & 7

GENERAL TOLERANCE
 一般公差

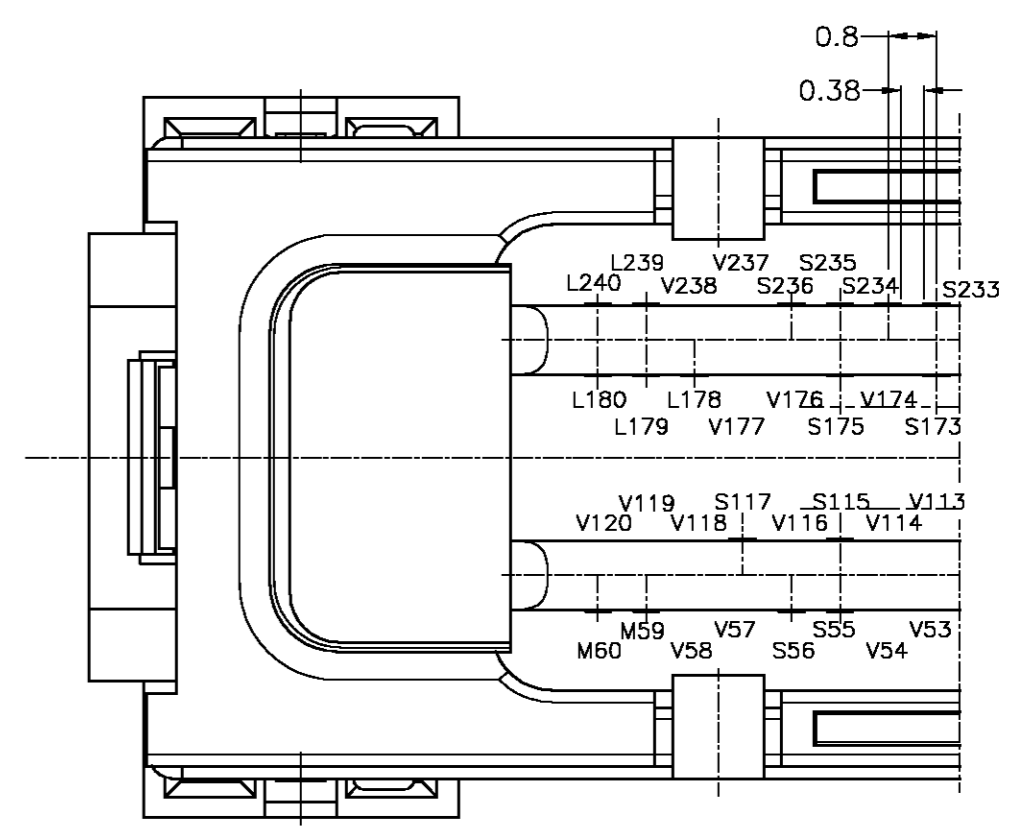
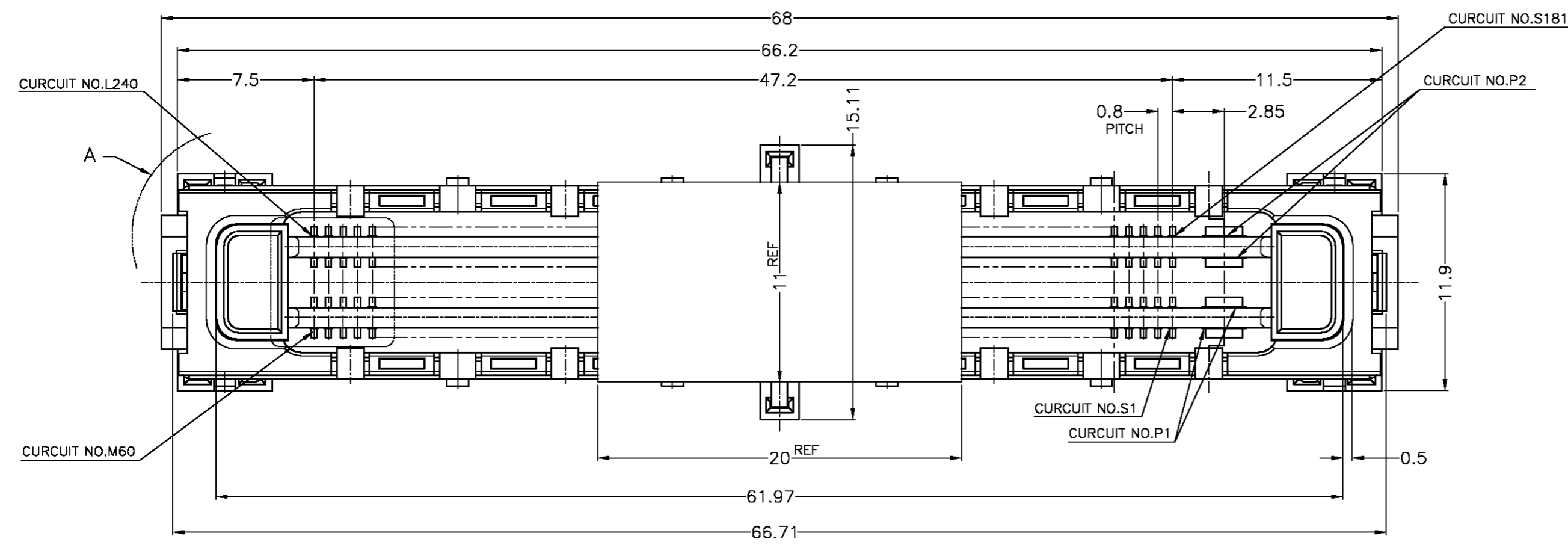
10	±0.2
30 ≥ >10	±0.25
100 ≥ >30	±0.3
ANGLES: ±3°	

THIS DRAWING IS A CONTROLLED DOCUMENT.

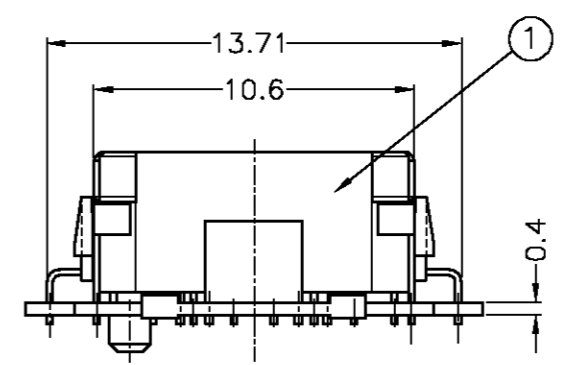
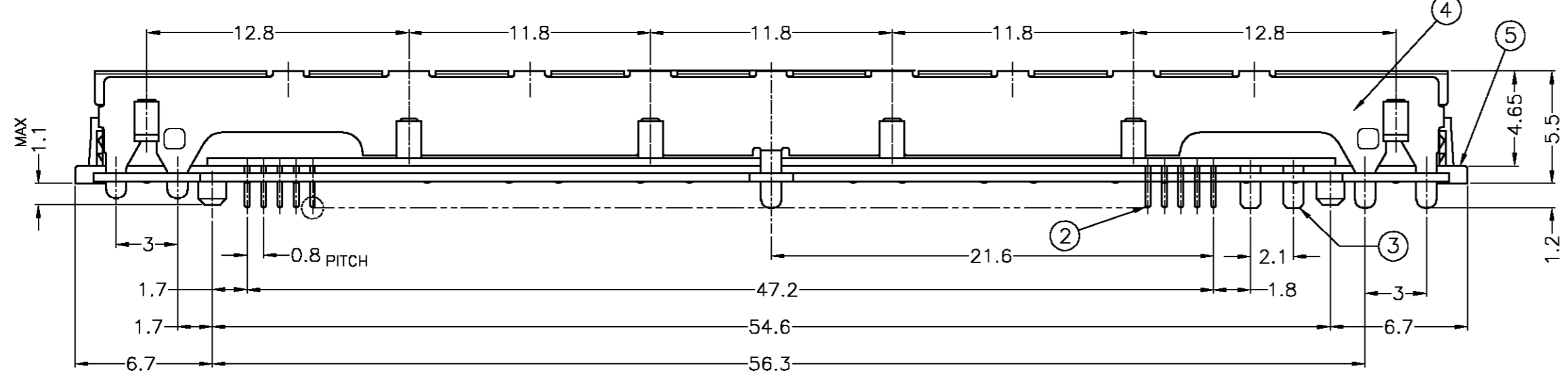
DIMENSIONS: MM	TOLERANCES UNLESS OTHERWISE SPECIFIED:	DWN	CHK	APVD	NAME
	5 PLC ± 10 ≥ ±0.2				tyco Electronics
	1 PLC ± 30 ≥ >10 ±0.25				Tyco Electronics AMP K.K.
	2 PLC ± 100 ≥ >30 ±0.3				Kawasaki, Japan
	3 PLC ± 3°				
MATERIAL	FINISH	PRODUCT SPEC	APPLICATION SPEC	WEIGHT	SCALE
				5.1 g(1- -1)	4:1
		CUSTOMER DRAWING		SHEET	REV
				5 OF 7	E

THIS DRAWING IS UNPUBLISHED. RELEASED FOR PUBLICATION 2000.
 © COPYRIGHT 2000 BY TYCO ELECTRONICS CORPORATION. ALL RIGHTS RESERVED.

LOC	DIST	REVISIONS					
J		P	LTR	DESCRIPTION	DATE	DWN	APVD
		-	-	SEE SHEET 1	-	-	-



DETAIL A (SCALE 8:1)
 (CONTACT POS. NO. ASSIGN, H12 IS EQUAL TO H5.5)



極数
 SIGNAL 218P
 MODEM 2P
 LAN 5P
 VOID 15P
 POWER 2P

H5.5		
1	TINE PLATE (FOR H5.5)	5
2	G-PLATE (FOR H5.5)	4
4	POWER CONTACT (FOR H5.5)	3
225	SIGNAL CONTACT	2
1	HSG A (FOR H5.5)	1
1- -2	NAME	ITEM NO.

1-1674036-2 ; AS SHOWN
 SHEET 6 & 7

GENERAL TOLERANCE
 一般公差
 10 ≥ ±0.2
 30 ≥ >10: ±0.25
 100 ≥ >30: ±0.3
 ANGLES: ±3°

THIS DRAWING IS A CONTROLLED DOCUMENT.

DIMENSIONS: MM	TOLERANCES UNLESS OTHERWISE SPECIFIED:	DWN	CHK	APVD	PRODUCT SPEC	APPLICATION SPEC	WEIGHT	MATERIAL	FINISH	SCALE	SHEET	OF	REV
	3 PLC ± 10 ≥ ±0.2 1 PLC ± 30 ≥ >10: ±0.25 2 PLC ± 100 ≥ >30: ±0.3 4 PLC ± ± 3°	-	-	-	-	-	5.1 g(1- -1)	A2	00779	C=1674036	4:1	6	7
CUSTOMER DRAWING										SCALE	SHEET	OF	REV
										4:1	6	7	E

tyco Electronics Tyco Electronics AMP K.K. Kawasaki, Japan

0.8 DOCKING CONNECTOR PLUG (240P + POWER 2P)

RESTRICTED TO

1674036

