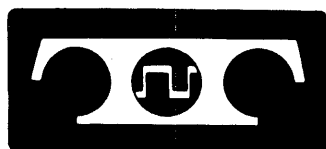


BULLETIN 1184B

33 PAGE PRINTER SET

(ASR, KSR AND RO)

PARTS



TELETYPE[®]
CORPORATION

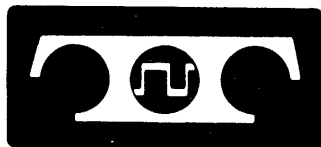
5555 TOUHY AVENUE, SKOKIE, ILLINOIS

BULLETIN 1184B

33 PAGE PRINTER SET

(ASR, KSR AND RO)

PARTS



TELETYPE[®]
CORPORATION

5555 TOUHY AVENUE, SKOKIE, ILLINOIS

TABLE OF CONTENTS

| SECTION | TITLE | ISSUE | DATE |
|---------------|----------------------------|-------|-------------|
| 574-121-800TC | 33 Keyboard (UK) | 6 | August 1972 |
| 574-122-800TC | 33 Typing Unit (UP) | *9 | March 1973 |
| 574-123-800TC | 33 Call Control Unit (UCC) | *8 | March 1973 |
| 574-124-800TC | 33 Reader (UX) | 5 | August 1972 |
| 574-125-800TC | 33 Tape Punch (UPE) | 5 | August 1972 |
| 574-126-800TC | 33 Cover and Table | *7 | March 1973 |

*Indicates revised sections

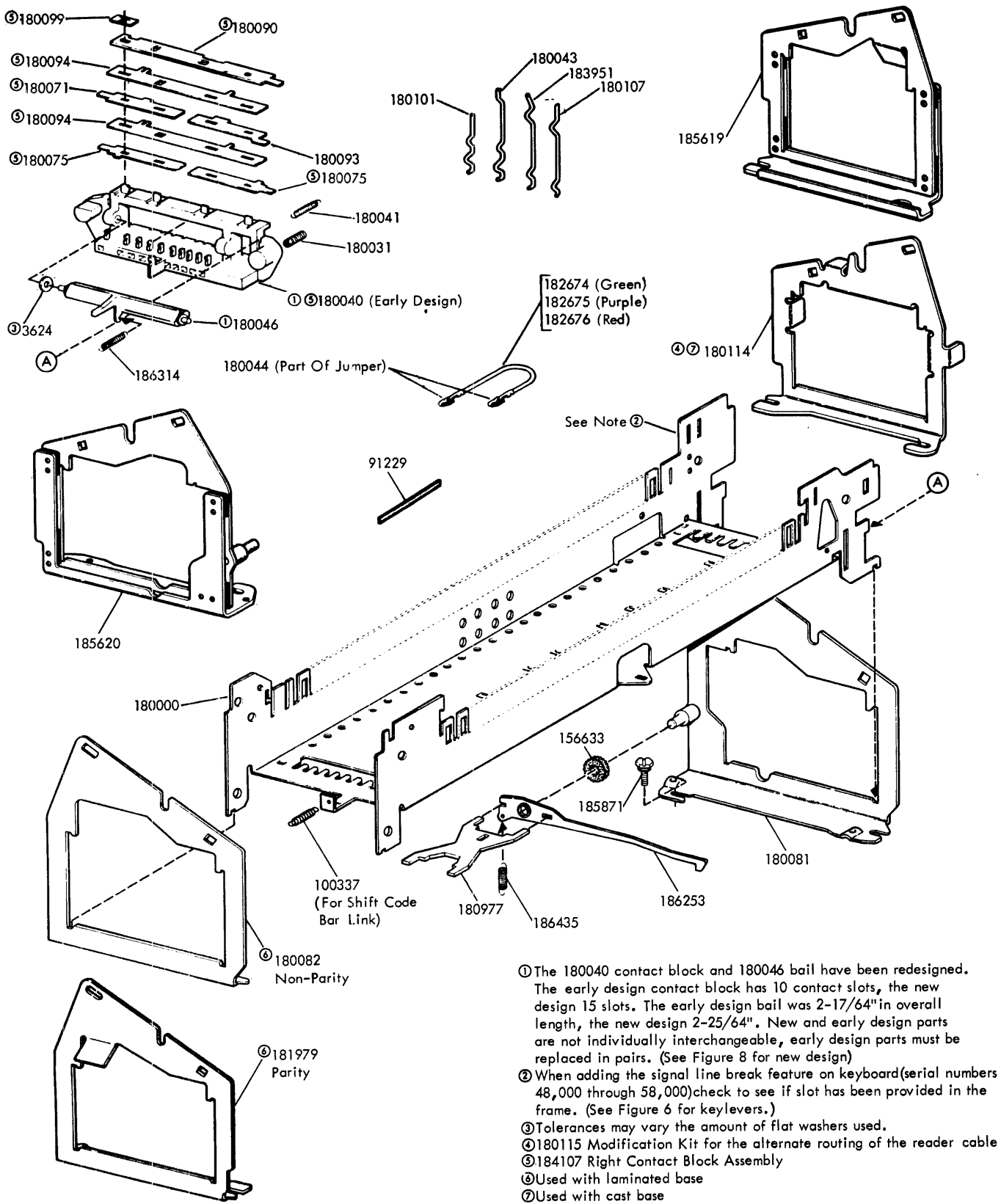
33 KEYBOARD (UK)

PARTS

| FIGURE | CONTENTS | PAGE |
|--------|---|------|
| 1 | Keyboard Basket and Contact Block | 2 |
| 2 | 186752 Modification Kit to provide locking for Keyboard (Early Design) | 3 |
| 3 | 186752 Modification Kit to provide locking for Keyboard (Later Design) | 3 |
| 4 | Keyboard Covers | 4 |
| 5 | Keytops | 5 |
| 6 | Keylevers | 6 |
| 7 | Codebar Mechanism | 7 |
| 8 | Codebar Mechanism for Units Equipped with Even Parity | 8 |
| 9 | Codebar Mechanism for Numeric Keyboard | 9 |
| 10 | Reset Mechanism for Self-Contained and Solenoid Reset Keyboards | 10 |
| 11 | Reset Mechanism for Even Parity Keyboard | 11 |
| 12 | Cover for Self-Contained and Solenoid Reset Keyboards | 12 |
| 13 | Cable Components | 13 |
| 14 | 185801 Modification Kit to Provide Locking for Keyboard | 14 |
| | Numerical Index | 15 |

** Denotes a Painted Part
HF - Light Olive Gray Smooth Vinyl

NOTE: Refer to Section 574-020-800
for Additional 33 Key Tops Descriptions.



- ① The 180040 contact block and 180046 bail have been redesigned. The early design contact block has 10 contact slots, the new design 15 slots. The early design bail was 2-17/64" in overall length, the new design 2-25/64". New and early design parts are not individually interchangeable, early design parts must be replaced in pairs. (See Figure 8 for new design)
- ② When adding the signal line break feature on keyboard (serial numbers 48,000 through 58,000) check to see if slot has been provided in the frame. (See Figure 6 for keylevers.)
- ③ Tolerances may vary the amount of flat washers used.
- ④ 180115 Modification Kit for the alternate routing of the reader cable
- ⑤ 184107 Right Contact Block Assembly
- ⑥ Used with laminated base
- ⑦ Used with cast base

FIGURE 1. KEYBOARD BASKET AND CONTACT BLOCK

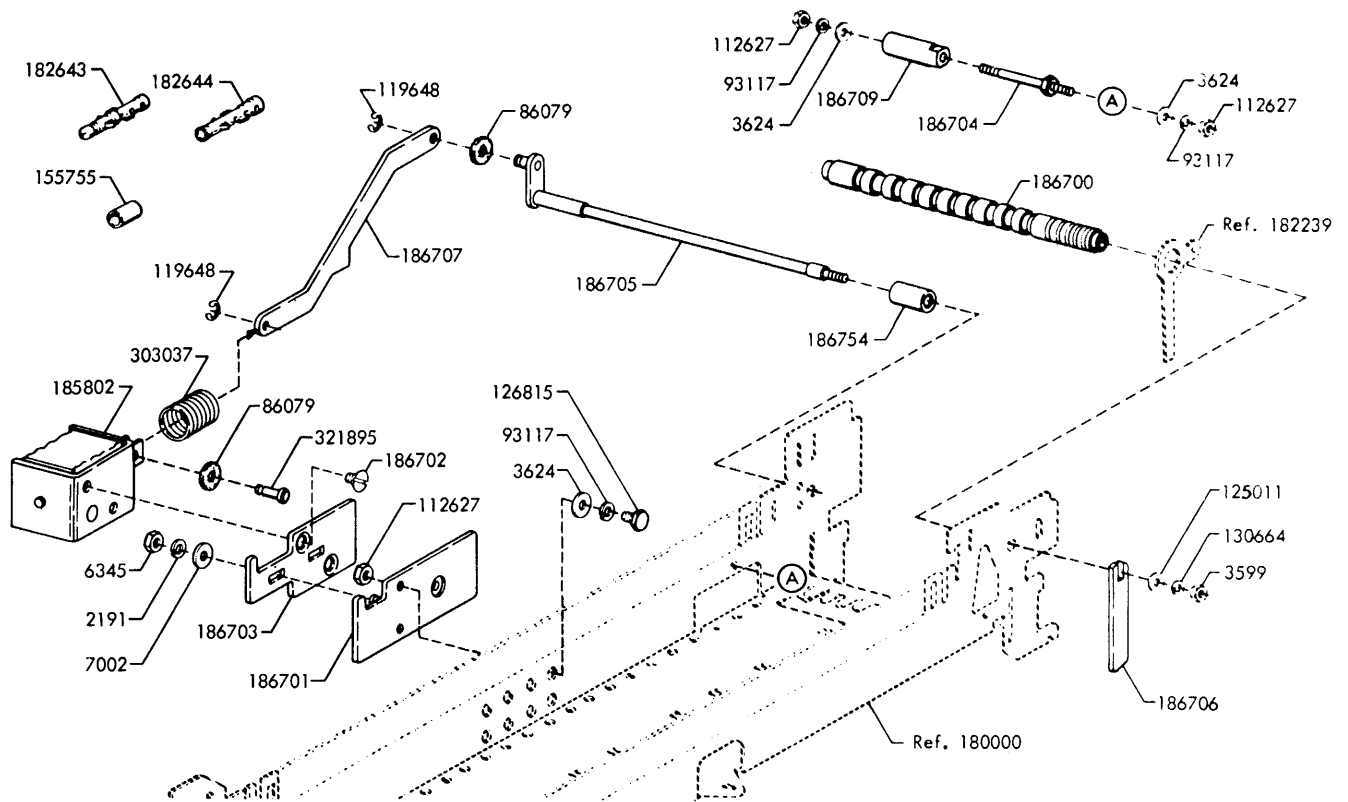


FIGURE 2. 186752 MODIFICATION KIT TO PROVIDE LOCKING FOR KEYBOARD (EARLY DESIGN)

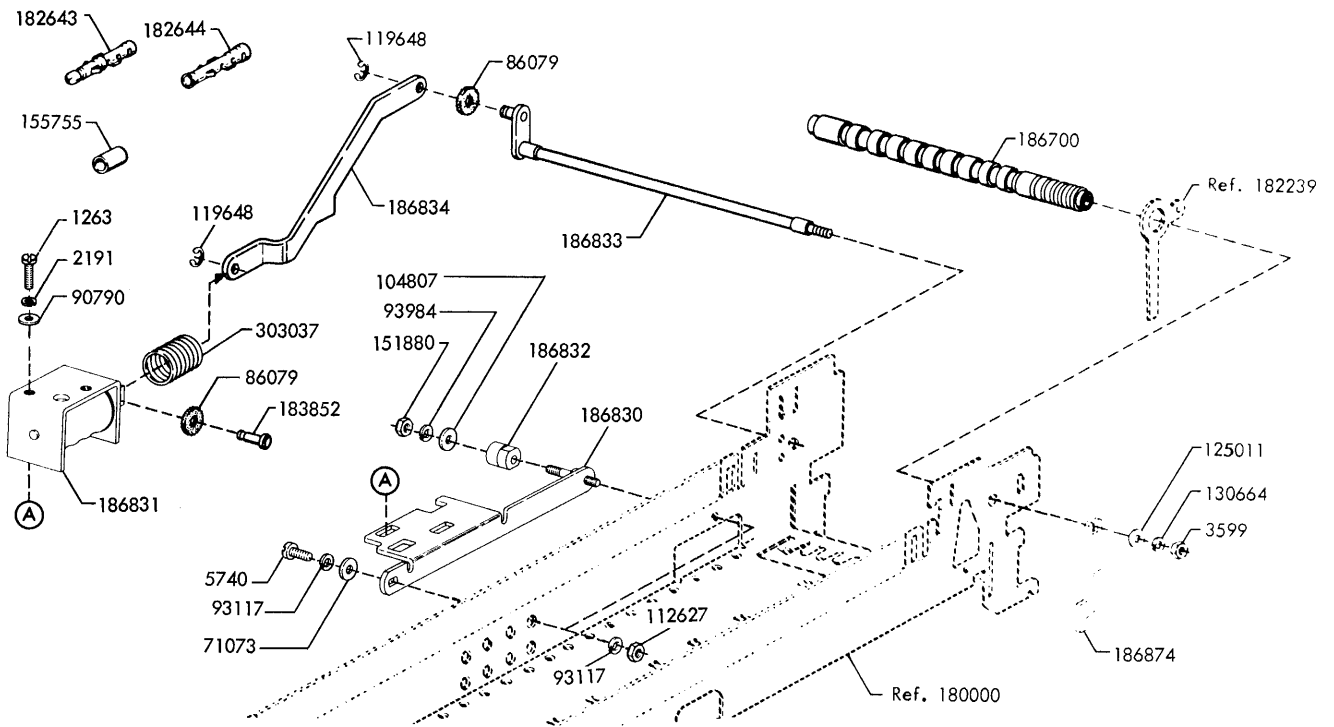


FIGURE 3. 186752 MODIFICATION KIT TO PROVIDE LOCKING FOR KEYBOARD (LATER DESIGN)

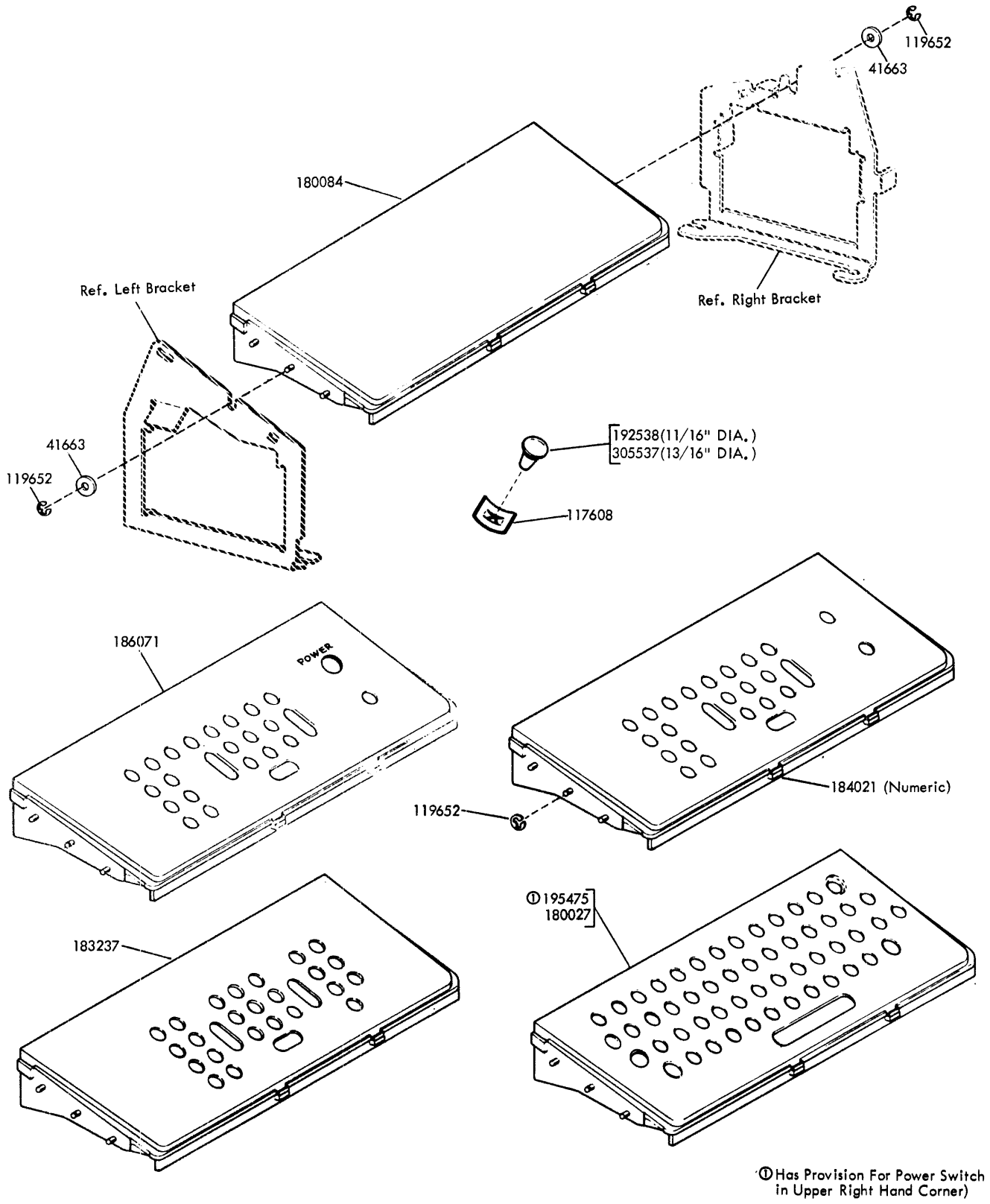
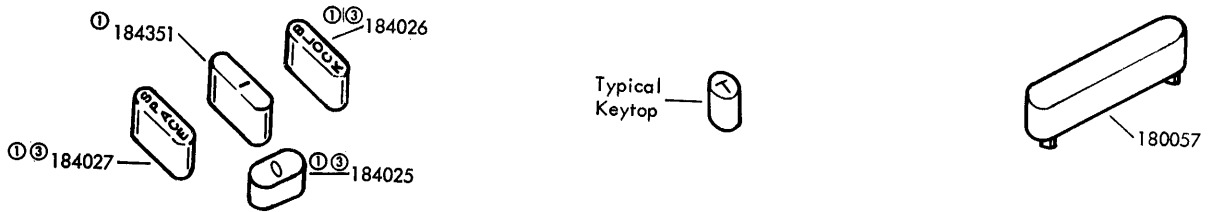


FIGURE 4. KEYBOARD COVERS



| Keytop Description | | | Keytop Description | | | Keytop Description | | |
|--------------------|-------|-------------|--------------------|-----------------|-------------|--------------------|-------|-------------|
| UNSHIFT | SHIFT | Part Number | UNSHIFT | SHIFT | Part Number | UNSHIFT | SHIFT | Part Number |
| A | | 180181 | P | @ | 180180 | 8 | | ①③ 184341 |
| A | SOM | *183891 | Q | | 180171 | 9 |) | 180168 |
| A | | ①③ 184343 | Q | X ON | *183888 | 9 | | ①③ 184342 |
| B | | 180194 | Q | X-ON | 184869 | 0 | | 180169 |
| B | | ①③ 184344 | Q | RLF | 185160 | ∅ | | 180374 |
| C | | 180192 | R | TAPE | 180174 | - | = | 180170 |
| C | | ①③ 184345 | R | | 180260 | , | < | 180197 |
| C | ETX | 185165 | R | FS | 185161 | . | > | 180198 |
| D | EOT | 180183 | S | | 180282 | ; | + | 180199 |
| D | | 180278 | S | X OFF | 180182 | / | ? | 180200 |
| D | | ①③ 184346 | S | X OFF | *183892 | : | * | 180205 |
| E | WRU | 180173 | S | | ③ 185394 | (No Symbol) | | ① 180299 |
| E | | 180259 | T | TAPE | 180175 | - | | 180336 |
| E | WRU | *183889 | T | | 180261 | | * | 180335 |
| F | RU | 180184 | T | PR | 185162 | | , | 180418 |
| F | | 180273 | T | | ③ 185395 | | . | 180419 |
| G | BELL | 180185 | U | | 180177 | / | ■ | 184895 |
| G | | 180274 | V | | 180193 | RUB OUT | | ①③ 180201 |
| G | BELL | *183890 | W | | 180172 | RETURN | | ①③ 180202 |
| H | | 180186 | X | | 180191 | LINE FEED | | ①③ 180203 |
| H | BS | 185163 | X | | ③ 185396 | HERE IS | | 180206 |
| I | TAB | 180178 | Y | | 180176 | BREAK | | 180207 |
| I | | 180262 | Z | | 180190 | REPT | | ①③ 180208 |
| J | | 180187 | 1 | ! | 180160 | ALT MODE | | 180257 |
| K | VT | 180188 | 1 | | ①③ 184334 | ESC | | 180382 |
| K | □ | 180383 | 1 | | 180264 | EOT | | ①③ 180440 |
| K | I | 185090 | 1 | | ①③ 184335 | DIV | | ① 180441 |
| L | FORM | 180189 | 2 | " | 180161 | STORE | | ① 180442 |
| L | | 180281 | 2 | | ①③ 184336 | TYPE ORD | | ① 180443 |
| L | ∖ | 180385 | 3 | # | 180162 | SECT | | ① 180444 |
| L | FORM | 185164 | 3 | | ①③ 184337 | SHIFT | | 180061 |
| M | | 180196 | 4 | \$ | 180163 | CTRL | | 181253 |
| M | □ | 180384 | 4 | | ①③ 184338 | CTRL | | ② 181971 |
| M | I | 185093 | 5 | % | 180164 | FS | | ① 184815 |
| N | ↑ | 180195 | 5 | | ①③ 184339 | GS | | ① 184816 |
| N | BLK | 185092 | 6 | & | 180165 | RS | | ① 184817 |
| N | ∧ | 185150 | 6 | | ①③ 184339 | US | | ① 184818 |
| O | ← | 180179 | 7 | ' | 180166 | CLR KYBD | | 184734 |
| O | └ | 185089 | 7 | | ①③ 184340 | CTRL | | 185159 |
| | | | 8 | (| 180167 | TAB | | 180373 |

NOTE:
 All Keytops are gray with white characters except as noted.
 *Gray Keytops with yellow characters.
 ① Used on Numeric Keyboard.
 ② Used with parity control.
 ③ Used on Numeric Self-Contained Keyboard

FIGURE 5. KEYTOPS

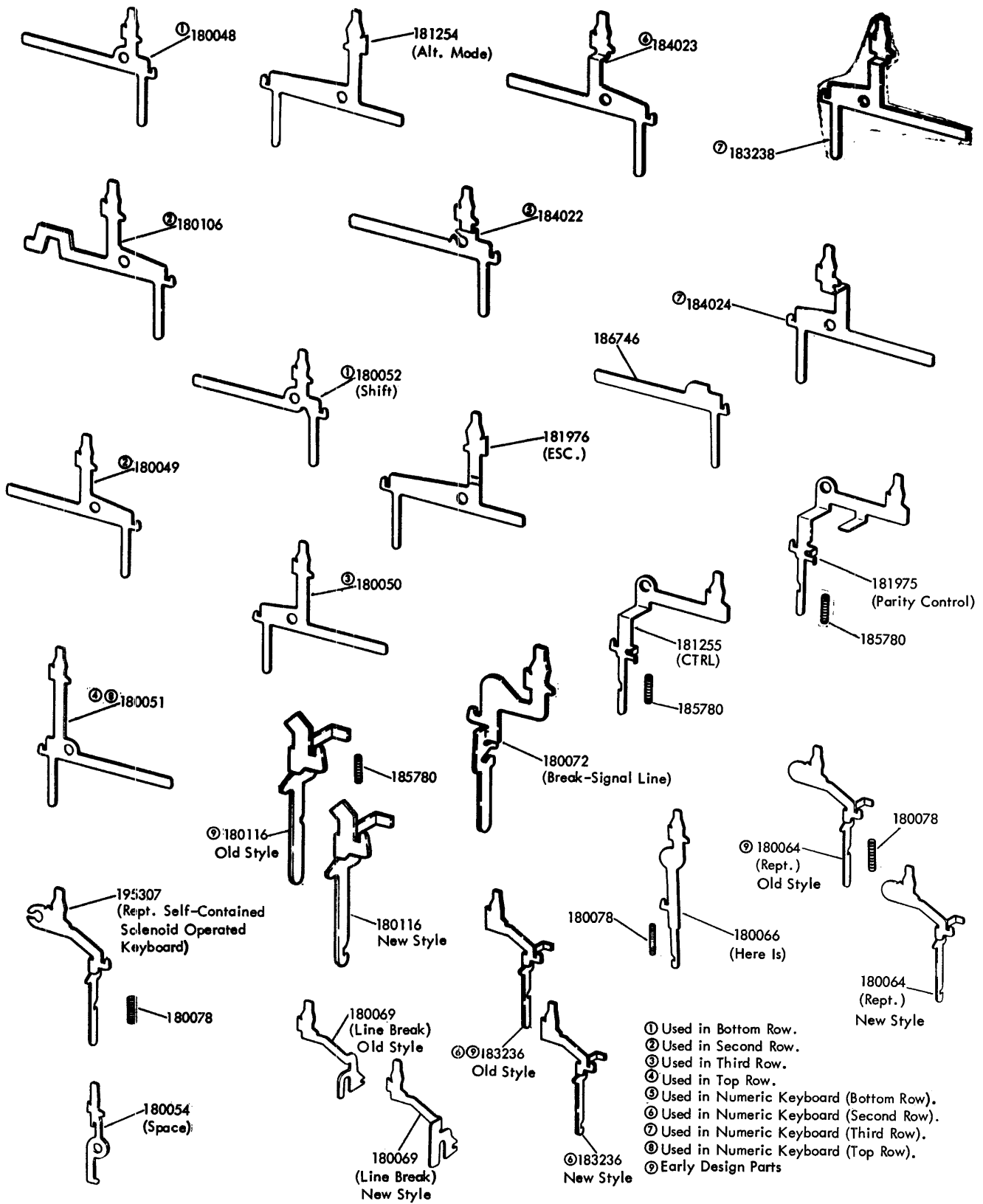


FIGURE 6. KEYLEVERS

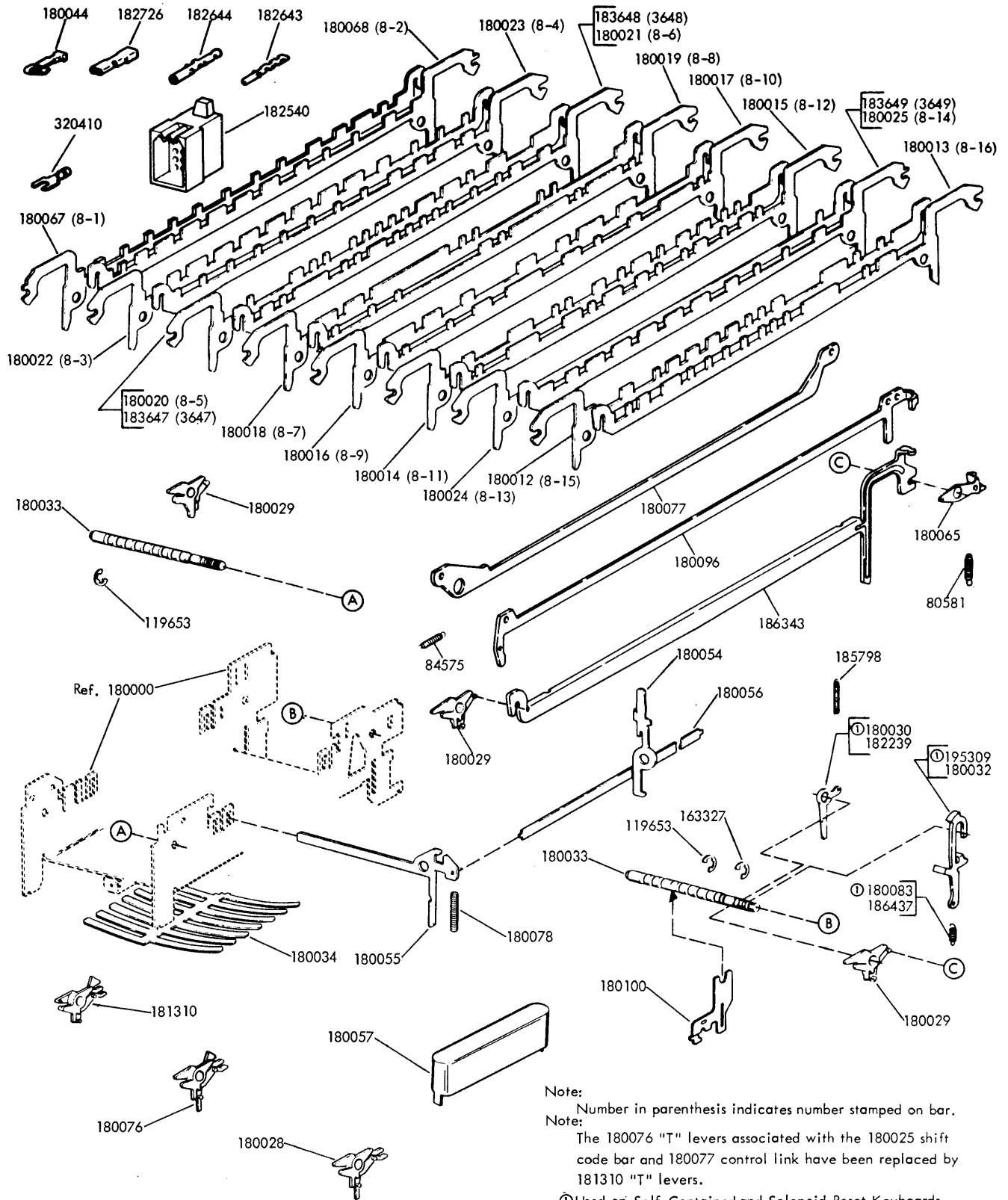


FIGURE 7. CODEBAR MECHANISM

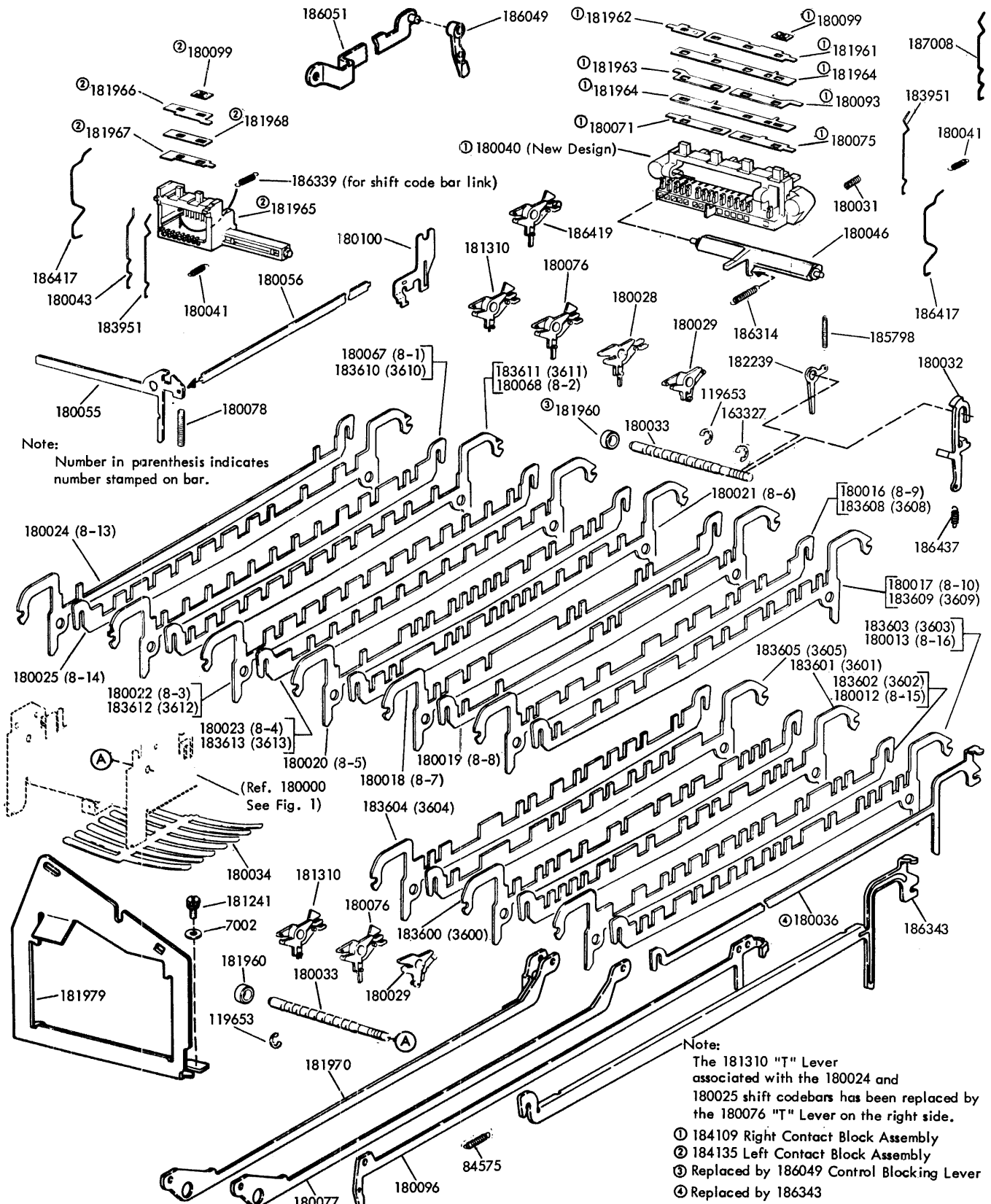


FIGURE 8. CODEBAR MECHANISM FOR UNITS EQUIPPED WITH EVEN PARITY

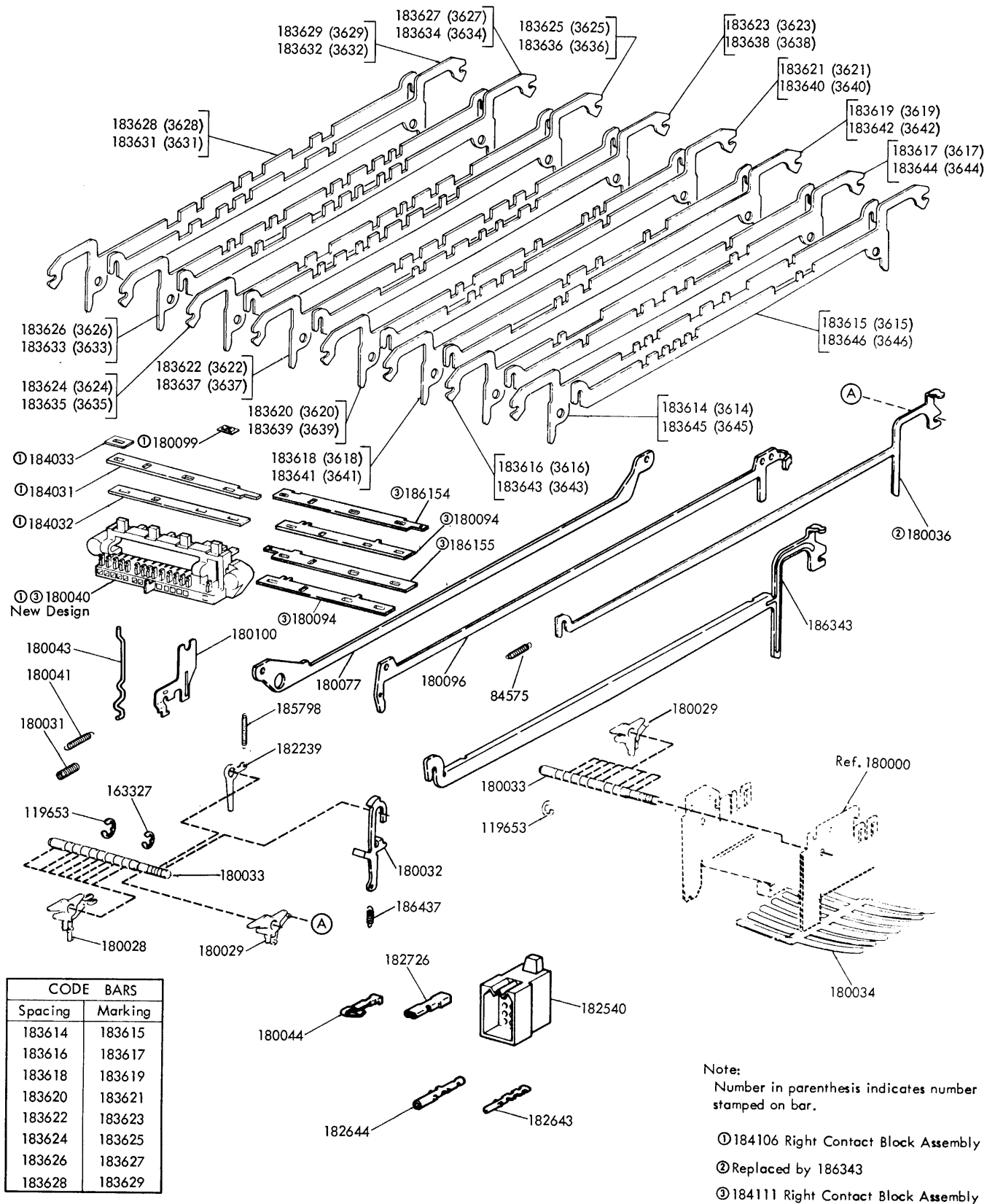


FIGURE 9. CODEBAR MECHANISM FOR NUMERIC KEYBOARD

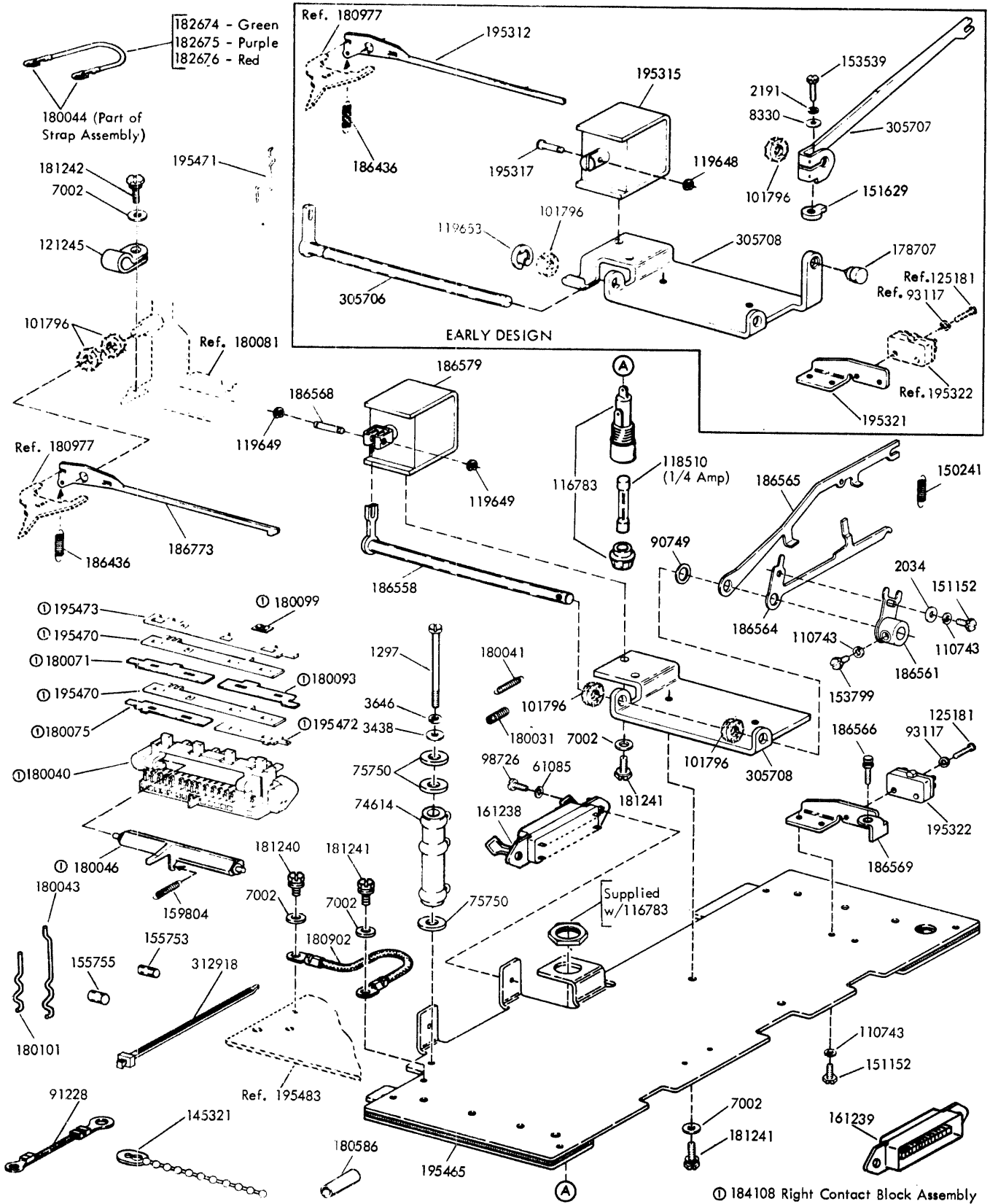


FIGURE 10. RESET MECHANISM FOR SELF-CONTAINED AND SOLENOID RESET KEYBOARDS

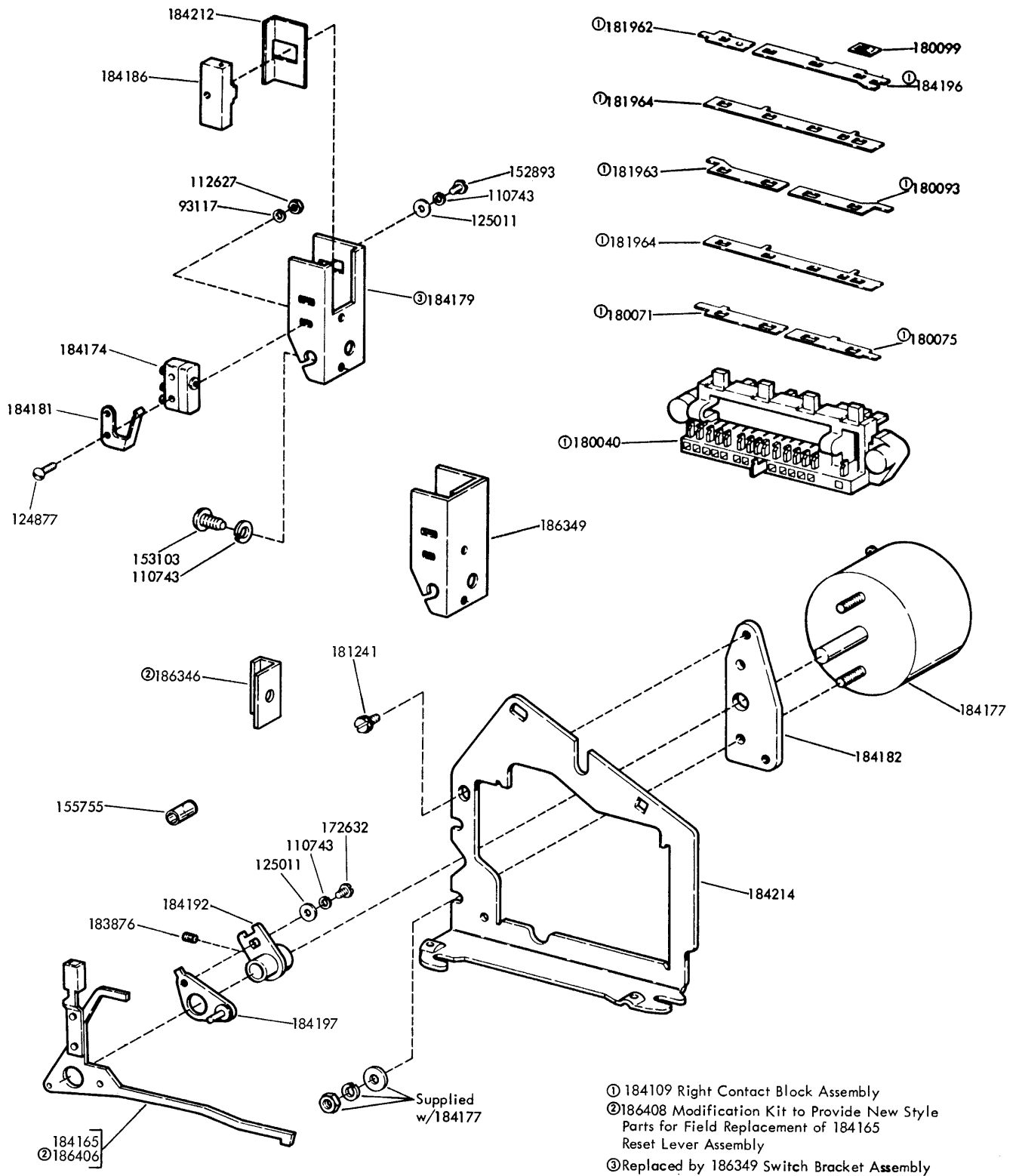
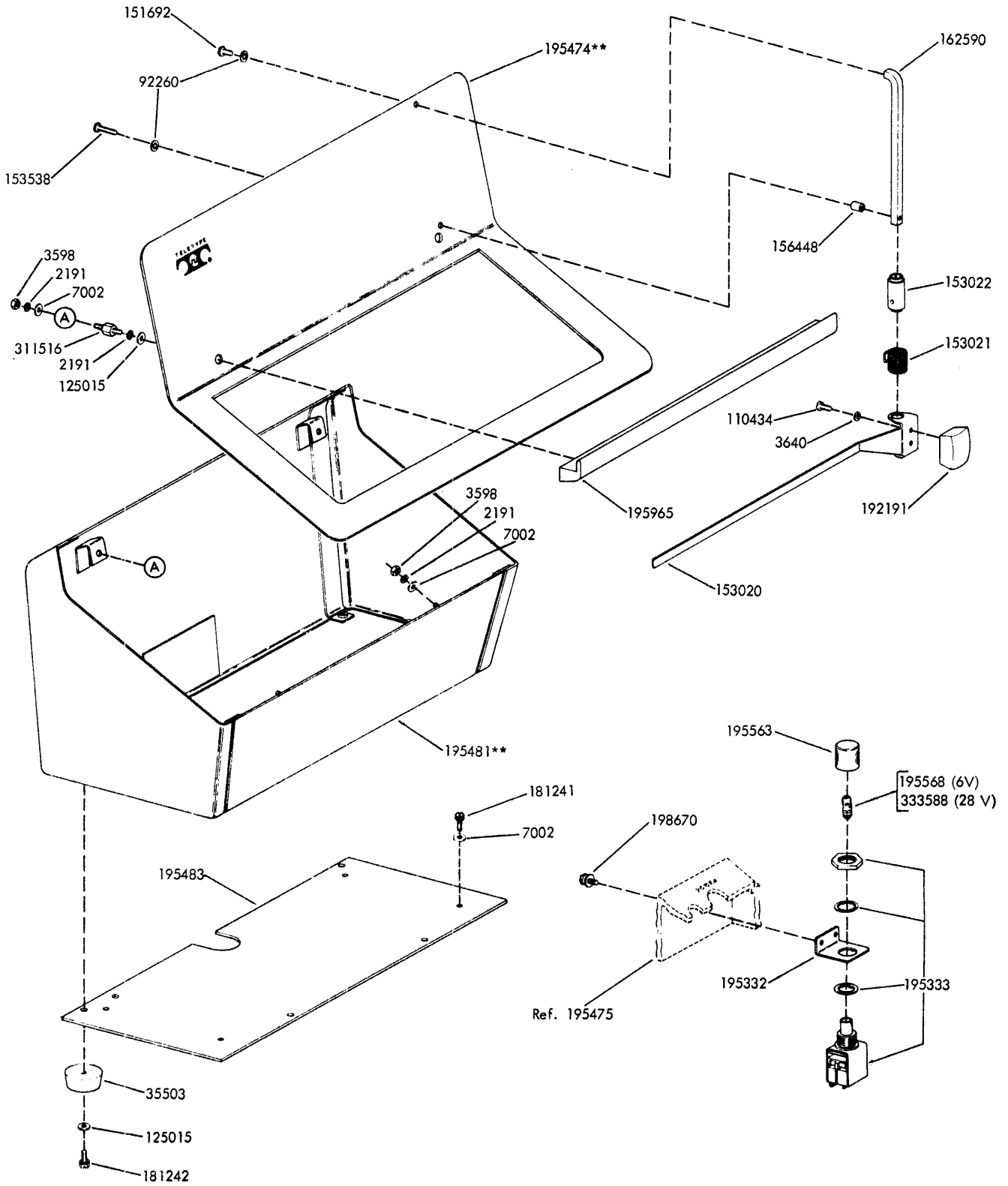


FIGURE 11. RESET MECHANISM FOR EVEN PARITY KEYBOARD

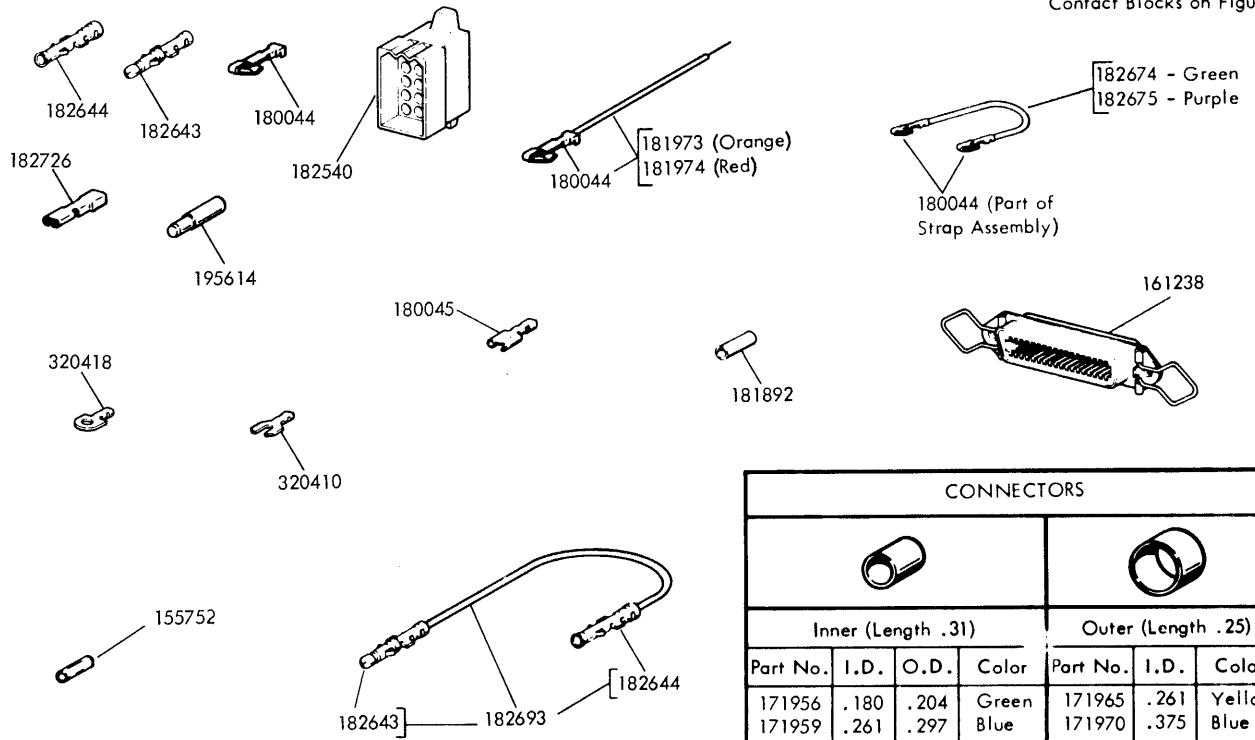


**Refer to Page 1 for Finish Suffix

FIGURE 12. COVER FOR SELF-CONTAINED AND SOLENOID RESET KEYBOARDS

| Components | CABLE ASSEMBLIES | | | | | | | | | | | |
|------------|------------------|--------|--------|---------|--------|--------|--------|--------|--------|--------|---------|--------|
| | 180870 | 180908 | 181978 | ①181969 | 184034 | 184051 | 184198 | 184199 | 185845 | 186'56 | ①187009 | 195#82 |
| 320418 | | | | | | | | | X | | | |
| 155750 | | | X | | | | | | X | | | |
| 155752 | | | | | | | | | | X | | X |
| 161238 | | | | | | | | | X | X | | X |
| 171956 | | | | | | | X | | | | | |
| 171959 | | | | | | | | X | | | | |
| 171965 | | | | | | | X | | | | | |
| 171970 | | | | | | | | X | | | | |
| 180044 | X | X | X | X | X | X | X | X | X | X | X | X |
| 180045 | | X | | | | | | | | | | |
| 180586 | | | | | | | | | | | | X |
| 181892 | | | | | | | | X | | | | |
| 181973 | | | X | | | | X | | | | | |
| 181974 | | | X | | | | X | | | | | |
| 182540 | X | | X | X | X | X | | X | | | X | |
| 182643 | X | | X | X | X | X | X | X | | | X | |
| 182644 | X | | X | X | X | X | | X | | | X | |
| 182674 | | | | X | | | | | | | X | |
| 182675 | | | | X | | | | | | | X | |
| 182693 | | | | | X | X | | | | | | |
| 182726 | X | X | X | X | X | X | X | X | X | X | X | X |
| 195614 | X | | X | X | X | X | | X | | | | |
| 320410 | | X | | | | | | | | X | | X |

① Includes 183135, 184109 Contact Blocks on Figure 8.



| CONNECTORS | | | | | | |
|--------------------|------|------|-------|--------------------|------|--------|
| Inner (Length .31) | | | | Outer (Length .25) | | |
| Part No. | I.D. | O.D. | Color | Part No. | I.D. | Color |
| 171956 | .180 | .204 | Green | 171965 | .261 | Yellow |
| 171959 | .261 | .297 | Blue | 171970 | .375 | Blue |

FIGURE 13. CABLE COMPONENTS

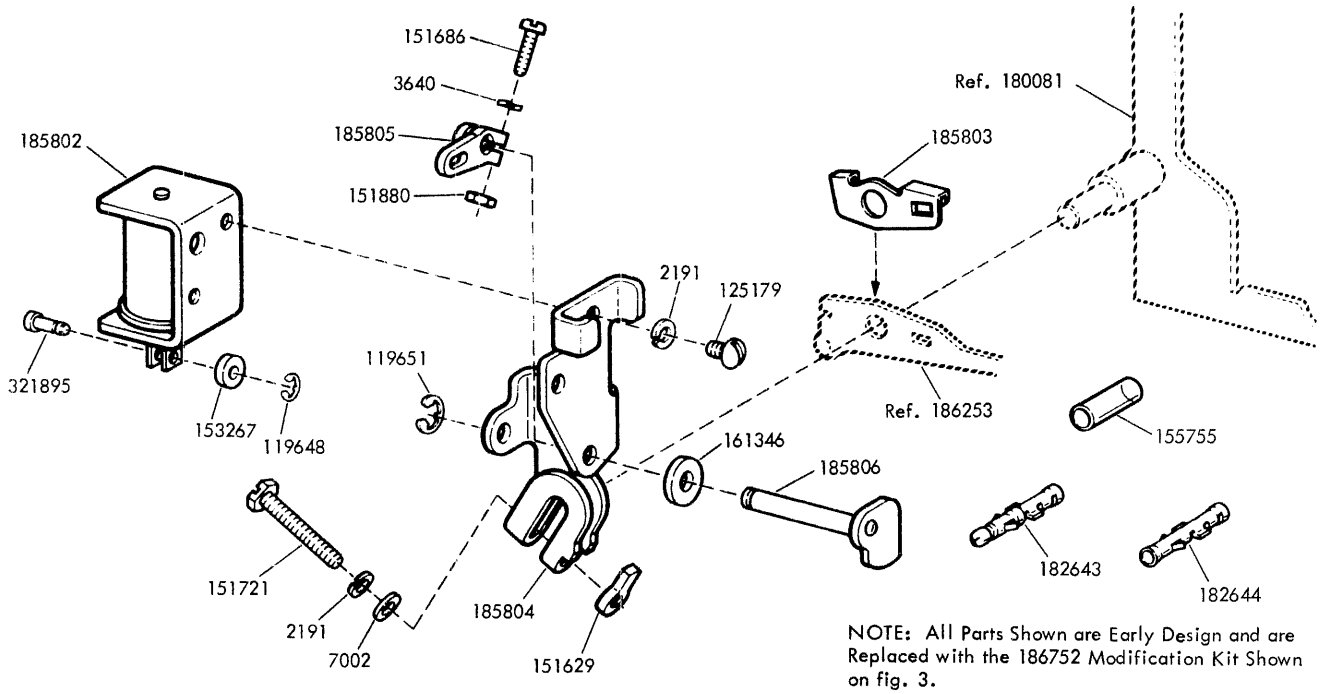


FIGURE 14. 185801 MODIFICATION KIT TO PROVIDE LOCKING FOR KEYBOARD

NUMERICAL INDEX

| Part Number | Description and Page Number | Part Number | Description and Page Number | Part Number | Description and Page Number |
|-------------|-----------------------------|-------------|---|-------------|--------------------------------|
| 1263 | Screw, 6-32 x 1/4 Fil 3 | 125179 | Screw, 6-32 x 3/16 Rd 14 | 178707 | Bumper, Rubber 10 |
| 1297 | Screw, 6-40 x 2-7/16 Fil 10 | 125181 | Screw, 2-56 x 3/8 Fil 10 | 180000 | Frame, Keyboard 2,3,7,8,9 |
| 2034 | Washer, Flat 10 | 126815 | Screw, 2-56 x 15/64 Hex 3 | 180012 | Codebar No. 1 Rear 7,8 |
| 2191 | Lockwasher 3,10,12,14 | 130664 | Lockwasher 3 | 180013 | Codebar No. 1 Front 7,8 |
| 3438 | Washer, Flat 10 | 145321 | Tie, Cable 10 | 180014 | Codebar No. 2 Rear 7 |
| 3598 | Nut, 6-40 Hex 12 | 150241 | Spring 10 | 180015 | Codebar No. 2 Front 7 |
| 3599 | Nut, 4-40 Hex 3 | 151152 | Screw, 4-40 x 3/16 Hex 10 | 180016 | Codebar No. 3 Rear 7,8 |
| 3624 | Washer, Flat 2,3 | 151629 | Nut, 6-40 Lug 10,14 | 180017 | Codebar No. 3 Front 7,8 |
| 3640 | Lockwasher 12,14 | 151686 | Screw, 6-40 x 3/8 Fil 14 | 180018 | Codebar No. 4 Rear 7,8 |
| 3646 | Lockwasher 10 | 151692 | Screw, 6-40 x 3/16 Fil 12 | 180019 | Codebar No. 4 Front 7,8 |
| 5740 | Screw, 2-56 x 1/4 Fil 3 | 151721 | Screw, 6-40 x 3/4 Hex 14 | 180020 | Codebar No. 5 Rear 7,8 |
| 6345 | Nut, 6-32 Hex 3 | 151880 | Nut, 4-40 Hex 3,14 | 180021 | Codebar No. 5 Front 7,8 |
| 7002 | Washer, Flat 3,8,10,12,14 | 152893 | Screw, 4040 x 1/4 Hex 11 | 180022 | Codebar No. 6 Rear 7,8 |
| 8330 | Washer, Flat 10 | 153020 | Guide, Line 12 | 180023 | Codebar No. 5 Front 7,8 |
| 35503 | Foot, Rubber 12 | 153021 | Spring, Torsion 12 | 180024 | Codebar No. 5 Rear 7,8 |
| 41663 | Washer, Flat 4 | 153022 | Bushing 12 | 180025 | Codebar No. 5 Front 7,8 |
| 61085 | Lockwasher 10 | 153103 | Screw, 4-40 Self-Tapping 11 | 180027 | Cover, Keyboard 4 |
| 71073 | Washer, Flat 3 | 153267 | Washer, Felt 3,14 | 180028 | Lever 7,8,9 |
| 74614 | Resistor, 2,600 Ohm 10 | 153538 | Screw, 6-40 x 7/16 Hex 12 | 180029 | Lever 7,8,9 |
| 75750 | Washer, Insulating 10 | 153539 | Screw, 6-40 x 11/16 Hex 10 | 180030 | Lever, Latch 7 |
| 80581 | Spring 7 | 153799 | Screw, 4-40 x 21/64 Hex 10 | 180031 | Spring, Compression 2,8,9,10 |
| 84575 | Spring 7,8,9 | 155750 | Sleeve, 3/32 ID x 1/2" | 180032 | Lever, Non-Repeat 7,8,9 |
| 86079 | Washer, Felt 3 | 155752 | Lg Insulating 13 | 180033 | Shaft 7,8,9 |
| 90749 | Shim, .010" Thk 10 | 155753 | Sleeve, 5/64 ID x 1/2 Lg Insulating 13 | 180034 | Spring, Flat 7,8,9 |
| 90790 | Washer, Flat 3 | 155755 | Sleeve, 11/64 ID x 5/8 Lg Insulating 3,10,11,14 | 180036 | Bar, Universal Code 8,9 |
| 91228 | Strap, 2-1/2" Braided 10 | 156448 | Bushing 12 | 180040 | Block, Contact 2,8,9,10,11 |
| 91229 | Strap, 2" Braided 2 | 156633 | Washer, Felt 2 | 180041 | Spring 2,8,9,10 |
| 92260 | Lockwasher 12 | 159804 | Spring 10 | 180043 | Wire, Contact 2,8,9,10 |
| 93117 | Lockwasher 3,10,11 | 161238 | Connector, 36 Pt Receptacle 10,13 | 180044 | Terminal, Tab Type 2,7,9,10,13 |
| 93984 | Lockwasher 3 | 161239 | Connector, 36 Pt Plug 10 | 180045 | Terminal, Tab Type 13 |
| 98726 | Screw, 3-48 x 1/4 Fil 10 | 161346 | Washer, Felt 14 | 180046 | Bail, Contact Reset 2,8,10 |
| 100337 | Spring 2 | 162590 | Shaft 12 | 180048 | Keylever 6 |
| 101796 | Washer, Felt 10 | 163327 | Ring, Retaining 7,8,9 | 180049 | Keylever 6 |
| 104807 | Washer, Flat 3 | 171759 | Cable Assembly 13 | 180050 | Keylever 6 |
| 110434 | Screw, 4-40 x 3/16 Fil 12 | 171956 | Connector, Green Shielding 13 | 180051 | Keylever 6 |
| 110743 | Lockwasher 10,11 | 171959 | Connector, Blue Shielding 13 | 180052 | Keylever, Shift 6 |
| 112627 | Nut, 2-56 Hex 3,11 | 171965 | Connector, Yellow Shielding 13 | 180054 | Keylever, Spacebar 6,7 |
| 116783 | Holder, Fuse 10 | 171970 | Connector, Blue Shielding 13 | 180055 | Keylever, Spacebar 7,8 |
| 117608 | Nut, Speed 4 | 172632 | Screw, 4-40 x 3/16 Hex 11 | 180056 | Link, Space 7,8 |
| 118510 | Fuse, 1/4 Amp 10 | | | 180057 | Spacebar 5,7 |
| 119648 | Ring, Retaining 3,10,14 | | | 180061 | Keytop 5 |
| 119649 | Ring, Retaining 10 | | | 180064 | Keylever, Repeat 6 |
| 119651 | Ring, Retaining 14 | | | 180065 | Lever, Link Break 7 |
| 119652 | Ring, Retaining 4 | | | 180066 | Keylever 6 |
| 119653 | Ring, Retaining 7,8,9,10 | | | 180067 | Bar, No. 7 Rear Code 7,8 |
| 121245 | Clamp, 5/16 ID Cable 10 | | | 180068 | Bar, No. 7 Front Code 7,8 |
| 124877 | Screw, 2-56 x 1/2 Rd 11 | | | 180069 | Keylever, Line Break 6 |
| 125011 | Washer, Flat 3,11 | | | | |
| 125015 | Washer, Flat 12 | | | | |

NUMERICAL INDEX (Continued)

| Part Number | Description and Page Number | Part Number | Description and Page Number | Part Number | Description and Page Number |
|-------------|---------------------------------|-------------|-----------------------------|-------------|--|
| 180071 | Terminal 2,8,10,11 | 180186 | Keytop 5 | 180586 | Sleeve, 5-32 ID x 21/32" |
| 180072 | Keylever, Line Break 6 | 180187 | Keytop 5 | | Lg Insulating 10,13 |
| 180075 | Terminal, Line Break 2,8,10,11 | 180188 | Keytop 5 | 180870 | Cable Assembly 13 |
| 180076 | Lever, No. 5 Pulse 7,8 | 180189 | Keytop 5 | 180902 | Jumper, 3-1/2 In. Braided 10 |
| 180077 | Link 7,8,9 | 180190 | Keytop 5 | 180908 | Cable Assembly 13 |
| 180078 | Spring, Compression 6,7,8 | 180191 | Keytop 5 | 180977 | Plate w/Stud 2,10 |
| 180081 | Bracket, Right Keyboard 2,10,14 | 180192 | Keytop 5 | 181240 | Screw, w/Lockwasher 6-40 x 3/16 Hex 10 |
| 180082 | Bracket, Left Keyboard 2 | 180193 | Keytop 5 | 181241 | Screw, w/Lockwasher, 6-4C x 1/4 Hex 8,10,11,12 |
| 180083 | Spring 7 | 180194 | Keytop 5 | 181242 | Screw, w/Lockwasher, 6-4C x 5/16 Hex 10,12 |
| 180084 | Cover, Keyboard 4 | 180195 | Keytop 5 | 181253 | Keytop 5 |
| 180090 | Terminal, Common 2 | 180196 | Keytop 5 | 181254 | Keylever 6 |
| 180093 | Terminal 2,8,10,11 | 180197 | Keytop 5 | 181255 | Keylever 6 |
| 180094 | Insulator 2,9 | 180198 | Keytop 5 | 181310 | Lever 7,8 |
| 180096 | Link 7,8,9 | 180199 | Keytop 5 | 181892 | Sleeve, 9/64 ID x 1" Lg Insulating 13 |
| 180099 | Fastener 2,8,9,10,11 | 180200 | Keytop 5 | 181960 | Spacer, .144" Thk 8 |
| 180100 | Guide 7,8,9 | 180201 | Keytop 5 | 181961 | Terminal 8 |
| 180101 | Wire, Contact 2,10 | 180202 | Keytop 5 | 181962 | Terminal 8,11 |
| 180106 | Keylever 6 | 180203 | Keytop 5 | 181963 | Terminal, Parity 8,11 |
| 180107 | Detent 2 | 180205 | Keytop 5 | 181964 | Insulator 8,11 |
| 180114 | Bracket, Left Keyboard 2 | 180206 | Keytop 5 | 181965 | Block, Contact 8 |
| 180115 | Modification Kit 2 | 180207 | Keytop 5 | 181966 | Terminal 8 |
| 180116 | Keylever 6 | 180208 | Keytop 5 | 181967 | Terminal 8 |
| 180160 | Keytop 5 | 180257 | Keytop 5 | 181968 | Insulator 8 |
| 180161 | Keytop 5 | 180259 | Keytop 5 | 181969 | Cable Assembly 13 |
| 180162 | Keytop 5 | 180260 | Keytop 5 | 181970 | Link w/Extension 8 |
| 180163 | Keytop 5 | 180261 | Keytop 5 | 181971 | Keytop 5 |
| 180164 | Keytop 5 | 180262 | Keytop 5 | 181973 | Jumper, 3-1/2" Orange 13 |
| 180165 | Keytop 5 | 180264 | Keytop 5 | 181974 | Jumper, 3" Red 13 |
| 180166 | Keytop 5 | 180273 | Keytop 5 | 181975 | Keylever 6 |
| 180167 | Keytop 5 | 180274 | Keytop 5 | 181976 | Keylever 6 |
| 180168 | Keytop 5 | 180278 | Keytop 5 | 181978 | Cable Assembly 13 |
| 180169 | Keytop 5 | 180280 | Keytop 5 | 181979 | Bracket, Left Keyboard 2,8 |
| 180170 | Keytop 5 | 180281 | Keytop 5 | 182239 | Latchlever 3,7,8,9 |
| 180171 | Keytop 5 | 180282 | Keytop 5 | 182540 | Connector, 15 Pt Plug Type 7,9,13 |
| 180172 | Keytop 5 | 180288 | Keytop 5 | 182643 | Terminal, Plug Type 3,7,9,13,14 |
| 180173 | Keytop 5 | 180299 | Keytop 5 | 182644 | Terminal, Receptacle Type 3,7,9,13,14 |
| 180174 | Keytop 5 | 180335 | Keytop 5 | 182674 | Jumper, 2-1/4" Green 2,10,13 |
| 180175 | Keytop 5 | 180336 | Keytop 5 | 182675 | Jumper, 2-1/4" Purple 2,10,13 |
| 180176 | Keytop 5 | 180373 | Keytop 5 | 182676 | Jumper, 2-1/4" Red 2,10 |
| 180177 | Keytop 5 | 180374 | Keytop 5 | | |
| 180178 | Keytop 5 | 180382 | Keytop 5 | | |
| 180179 | Keytop 5 | 180383 | Keytop 5 | | |
| 180180 | Keytop 5 | 180384 | Keytop 5 | | |
| 180181 | Keytop 5 | 180385 | Keytop 5 | | |
| 180182 | Keytop 5 | 180418 | Keytop 5 | | |
| 180183 | Keytop 5 | 180419 | Keytop 5 | | |
| 180184 | Keytop 5 | 180440 | Keytop 5 | | |
| 180185 | Keytop 5 | 180441 | Keytop 5 | | |
| | | 180442 | Keytop 5 | | |
| | | 180443 | Keytop 5 | | |
| | | 180444 | Keytop 5 | | |

NUMERICAL INDEX (Continued)

| Part Number | Description and Page Number | Part Number | Description and Page Number | Part Number | Description and Page Number |
|-------------|----------------------------------|-------------|---------------------------------------|-------------|--------------------------------------|
| 182693 | Jumper, 2-1/4" Orange 13 | 183645 | Codebar 9 | 184334 | Keytop 5 |
| 182726 | Terminal, Receptacle Type 7,9,13 | 183646 | Codebar 9 | 184335 | Keytop 5 |
| 182693 | Jumper, 2-1/4" Orange 13 | 183647 | Codebar 7 | 184336 | Keytop 5 |
| 183135 | Cover 13 | 183648 | Codebar 7 | 184337 | Keytop 5 |
| 183236 | Keylever, Repeat 6 | 183649 | Codebar 7 | 184338 | Keytop 5 |
| 183237 | Cover, Keyboard 4 | 183852 | Pin 3 | 184339 | Keytop 5 |
| 183238 | Keylever 6 | 183876 | Screw, 6-32 Set 11 | 184340 | Keytop 5 |
| 183600 | Codebar 8 | 183888 | Keytop 5 | 184341 | Keytop 5 |
| 183601 | Codebar 8 | 183889 | Keytop 5 | 184342 | Keytop 5 |
| 183602 | Codebar 8 | 183890 | Keytop 5 | 184343 | Keytop 5 |
| 183603 | Codebar 8 | 183891 | Keytop 5 | 184344 | Keytop 5 |
| 183604 | Codebar 8 | 183892 | Keytop 5 | 184345 | Keytop 5 |
| 183605 | Codebar 8 | 183951 | Wire, Contact 8 | 184346 | Keytop 5 |
| 183608 | Codebar 8 | 184021 | Cover, Keyboard 4 | 184351 | Keytop 5 |
| 183609 | Codebar 8 | 184022 | Keylever 6 | 184734 | Keytop 5 |
| 183610 | Codebar 8 | 184023 | Keylever 6 | 184815 | Keytop 5 |
| 183611 | Codebar 8 | 184024 | Keylever 6 | 184816 | Keytop 5 |
| 183612 | Codebar 8 | 184025 | Keytop 5 | 184817 | Keytop 5 |
| 183613 | Codebar 8 | 184026 | Keytop 5 | 184818 | Keytop 5 |
| 183614 | Codebar 9 | 184027 | Keytop 5 | 184869 | Keytop 5 |
| 183615 | Codebar 9 | 184031 | Terminal 9 | 184895 | Keytop 5 |
| 183616 | Codebar 9 | 184032 | Insulator, .031" Thk 9 | 185089 | Keytop 5 |
| 183617 | Codebar 9 | 184033 | Spacer, .035" Thk 9 | 185090 | Keytop 5 |
| 183618 | Codebar 9 | 184034 | Cable Assembly 13 | 185092 | Keytop 5 |
| 183619 | Codebar 9 | 184051 | Cable Assembly 13 | 185093 | Keytop 5 |
| 183620 | Codebar 9 | 184106 | Block Assembly, Right Contact 9 | 185150 | Keytop 5 |
| 183621 | Codebar 9 | 184107 | Block Assembly, Right Contact 2 | 185159 | Keytop 5 |
| 183622 | Codebar 9 | 184108 | Block Assembly, Right Contact 10 | 185160 | Keytop 5 |
| 183623 | Codebar 9 | 184109 | Block Assembly, Right Contact 8,11,13 | 185161 | Keytop 5 |
| 183624 | Codebar 9 | 184111 | Block Assembly, Right Contact 9 | 185162 | Keytop 5 |
| 183625 | Codebar 9 | 184135 | Block Assembly, Left Contact 8 | 185163 | Keytop 5 |
| 183626 | Codebar 9 | 184165 | Lever, Reset 11 | 185164 | Keytop 5 |
| 183627 | Codebar 9 | 184174 | Switch, SP-DT 11 | 185165 | Keytop 5 |
| 183628 | Codebar 9 | 184177 | Solenoid, Rotary 11 | 185394 | Keytop 5 |
| 183629 | Codebar 9 | 184179 | Bracket 11 | 185395 | Keytop 5 |
| 183631 | Codebar 9 | 184181 | Actuator 11 | 185396 | Keytop 5 |
| 183632 | Codebar 9 | 184182 | Plate 11 | 185619 | Frame, Left Keyboard 2 |
| 183633 | Codebar 9 | 184186 | Switch, Reed 11 | 185620 | Frame, Right Keyboard 2 |
| 183634 | Codebar 9 | 184192 | Plate w/Hub 11 | 185780 | Spring, Compression 6 |
| 183635 | Codebar 9 | 184196 | Terminal 11 | 185798 | Spring 7,8,9 |
| 183636 | Codebar 9 | 184197 | Plate w/Stud 11 | 185801 | Modification Kit 1,14 |
| 183637 | Codebar 9 | 184198 | Cable Assembly 13 | 185802 | Solenoid 3 |
| 183638 | Codebar 9 | 184199 | Cable Assembly 13 | 185803 | Clip 14 |
| 183639 | Codebar 9 | 184212 | Guide 11 | 185804 | Bracket 14 |
| 183640 | Codebar 9 | 184214 | Bracket, Right 11 | 185805 | Lever 14 |
| 183641 | Codebar 9 | | | 185806 | Shaft 14 |
| 183642 | Codebar 9 | | | 185845 | Cable Assembly 13 |
| 183643 | Codebar 9 | | | 185871 | Screw w/Lockwasher, 8-32 x 3/8 Hex 2 |
| 183644 | Codebar 9 | | | 186049 | Lever 8 |
| | | | | 186051 | Link 8 |

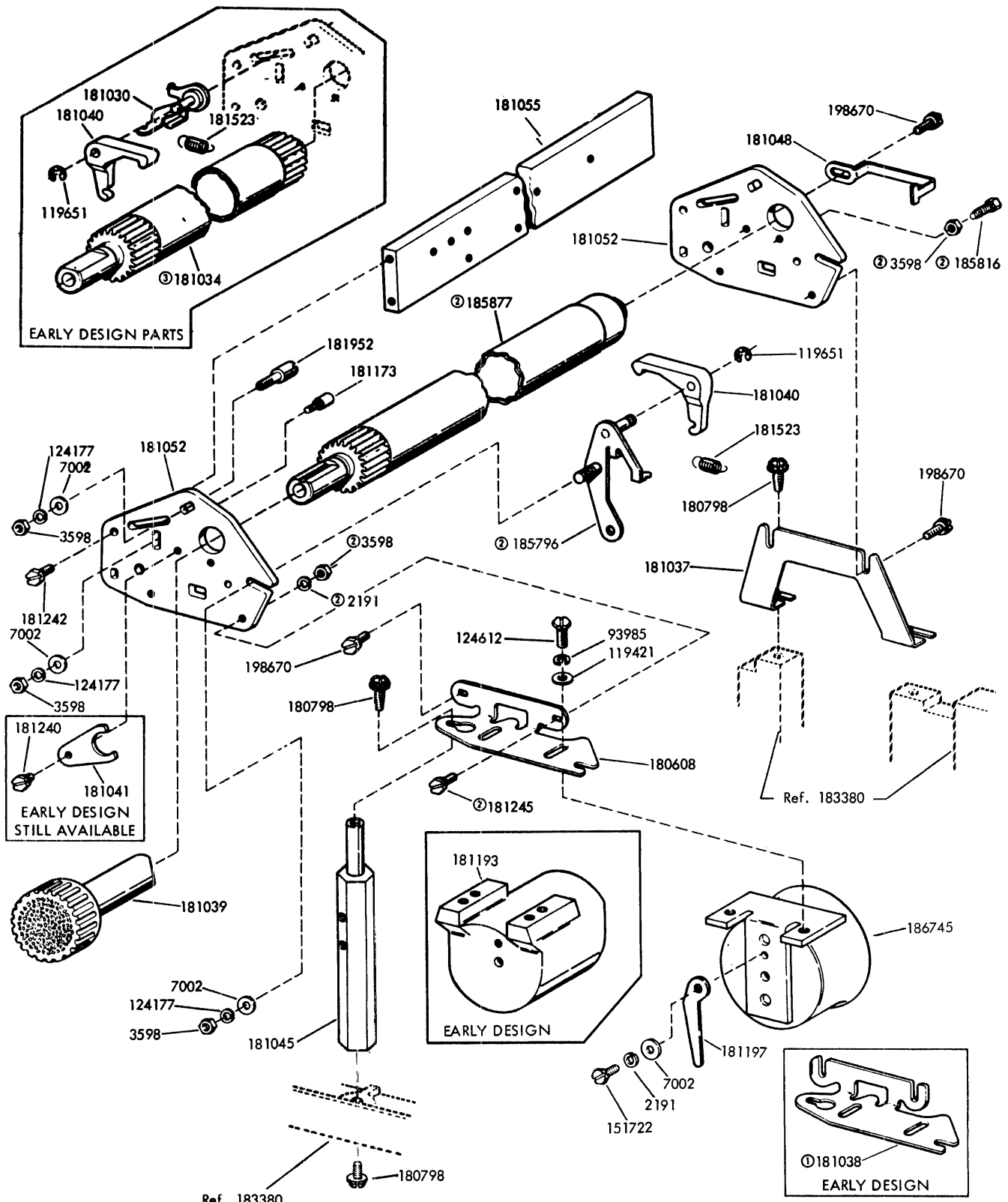
NUMERICAL INDEX (Continued)

| Part Number | Description and Page Number | Part Number | Description and Page Number | Part Number | Description and Page Number |
|-------------|-----------------------------|-------------|-----------------------------|-------------|---|
| 186071 | Cover 4 | 186704 | Stud 3 | 195465 | Plate, Mounting 10 |
| 186154 | Terminal 9 | 186705 | Shaft 3 | 195470 | Insulator, .031" Thk 10 |
| 186155 | Terminal 9 | 186706 | Cam, Trip 3 | 195471 | Wire, Contact 10 |
| 186156 | Cable Assembly 13 | 186707 | Lever 3 | 195472 | Terminal 10 |
| 186253 | Lever w/Hub 2,14 | 186709 | Bushing, Eccentric 3 | 195473 | Terminal, Common 10 |
| 186314 | Spring 2,8 | 186746 | Lever 6 | 195474** | Panel, Top 12 |
| 186339 | Spring 8 | 186752 | Modification Kit 1,3,14 | 195475 | Cover, Keyboard 4,12 |
| 186343 | Codebar 7,8,9 | 186754 | Bushing 3 | 195481** | Cover 12 |
| 186346 | Shield, Magnetic 11 | 186773 | Lever, Reset 10 | 195482 | Cable Assembly 13 |
| 186349 | Bracket 11 | 186830 | Bracket 3 | 195483 | Plate 10,12 |
| 186406 | Lever, Reset 11 | 186831 | Solenoid 3 | 195563 | Lens, Red Pushbutton 12 |
| 186408 | Modification Kit 21 | 186832 | Bushing, Eccentric 3 | 195568 | Lamp, 6 V 12 |
| 186417 | Wire, Contact 8 | 186833 | Shaft 3 | 195614 | Pin, Key 13 |
| 186419 | Lever 8 | 186834 | Lever 3 | 195965 | Tray, Copyholder 12 |
| 186435 | Spring 2 | 186874 | Cam, Trip 3 | 198670 | Screw w/Lockwasher, 6-40 x 5/16 Hex 12 |
| 186436 | Spring 10 | 187008 | Wire, Contact 8 | 303037 | Spring, Compression 3 |
| 186437 | Spring 7,8,9 | 187009 | Cable Assembly 13 | 305537 | Plug, Button 4 |
| 186558 | Shaft w/Link 10 | 192191 | Knob 12 | 305706 | Shaft w/Link 10 |
| 186561 | Link w/Hub 10 | 192538 | Plug, Button 4 | 305707 | Arm, Reset 10 |
| 186564 | Lever 10 | 195307 | Keylever, Repeat 6 | 305708 | Bracket, Solenoid 10 |
| 186565 | Lever, Reset 10 | 195309 | Lever, Non-Repeat 7 | 311516 | Post 12 |
| 186566 | Screw, 4-40 Adjusting 10 | 195312 | Lever, Reset 10 | 312918 | Strap 10 |
| 186568 | Pin 10 | 195315 | Solenoid w/Plunger 10 | 320410 | Terminal, Spade Type 7, 13 |
| 186569 | Bracket 10 | 195317 | Pin 10 | 320418 | Terminal, Ring Type 13 |
| 186579 | Solenoid 10 | 195321 | Bracket, Switch 10 | 321895 | Post 3,14 |
| 186700 | Shaft 3 | 195322 | Switch 10 | 333588 | Lamp, 28V Miniature 12 |
| 186701 | Plate 3 | 195332 | Bracket, Power Switch 12 | | |
| 186702 | Screw, 6-32 Spl 3 | 195333 | Switch, Pushbutton 12 | | |
| 186703 | Plate, Top Mounting 3 | | | | |

**Refer to page 1 for finish suffix

33 TYPING UNIT (UP)
PARTS

| FIGURE | CONTENTS | PAGE | FIGURE | CONTENTS | PAGE |
|--------|---|------|--------|--|------|
| 1 | Platen Mechanism-Friction Feed | 2 | 24 | Line Feed Function Lever Mechanism | 23 |
| 2 | Paper Handling Mechanism-Friction Feed | 3 | 25 | Function Levers | 24 |
| 3 | Platen Mechanism-Sprocket Feed | 4 | 26 | Function Levers (Continued) | 25 |
| 4 | Platen Mechanism-Sprocket Feed (Continued) | 5 | 27 | 185971 Modification Kit to Provide Printer With an End-of-Line Bell to Ring on Approximately the 62nd Character | 26 |
| 5 | Ribbon Feed Mechanism | 6 | 28 | 185791 Modification Kit to Provide Controlled Single or Double Line Feed Feature on Friction Feed Printer | 26 |
| 6 | Carriage Upper Plate Mechanism | 7 | 29 | Typewheel Chart | 27 |
| 7 | Carriage Lower Plate Mechanism | 8 | 30 | Typewheel Chart (Continued) | 28 |
| 8 | Carriage Power Bail Mechanism | 9 | 31 | Typewheel Chart (Continued) | 29 |
| 9 | Carriage Drive Bail Mechanism | 10 | 32 | Formout Mechanism-Sprocket Feed | 30 |
| 10 | Main Shaft Mechanism-Friction Feed | 11 | 33 | Later Design Formout Mechanism- Sprocket Feed | 31 |
| 11 | Main Shaft Mechanism-Sprocket Feed | 12 | 34 | Formout Contact - Sprocket Feed | 31 |
| 12 | 182015 Clutch Trip Lever Assembly | 13 | 35 | Solenoid Print-Nonprint Reset Mechanism | 32 |
| 13 | Codebar Basket Mechanism | 14 | 36 | Base | 33 |
| 14 | Function Box Mechanism | 15 | 37 | Sub Bases | 34 |
| 15 | Function Shaft Mechanism | 16 | 38 | Motors | 35 |
| 16 | Selector Frame Mechanism | 17 | 39 | Electrical Components | 36 |
| 17 | Clutch and Camsleeve Mechanism | 18 | 40 | Cable Components | 37 |
| 18 | Distributor Clutch Mechanism | 19 | | Numerical Index | 38 |
| 19 | Trip Shaft Mechanism | 20 | | | |
| 20 | 182964 Drive Arm Assembly | 21 | | | |
| 21 | Clutch Trip Mechanism | 21 | | | |
| 22 | Answer-Back Drum Mechanism | 22 | | | |
| 23 | Answer-Back Trip Magnet Mechanism | 22 | | | |



Ⓢ Orders received for the cancelled 181034 Platen will be filled with the 186665 Set of Parts.

① See note 3 in Figure 8
 ② 186665 Set of Parts

FIGURE 1. PLATEN MECHANISM - FRICTION FEED

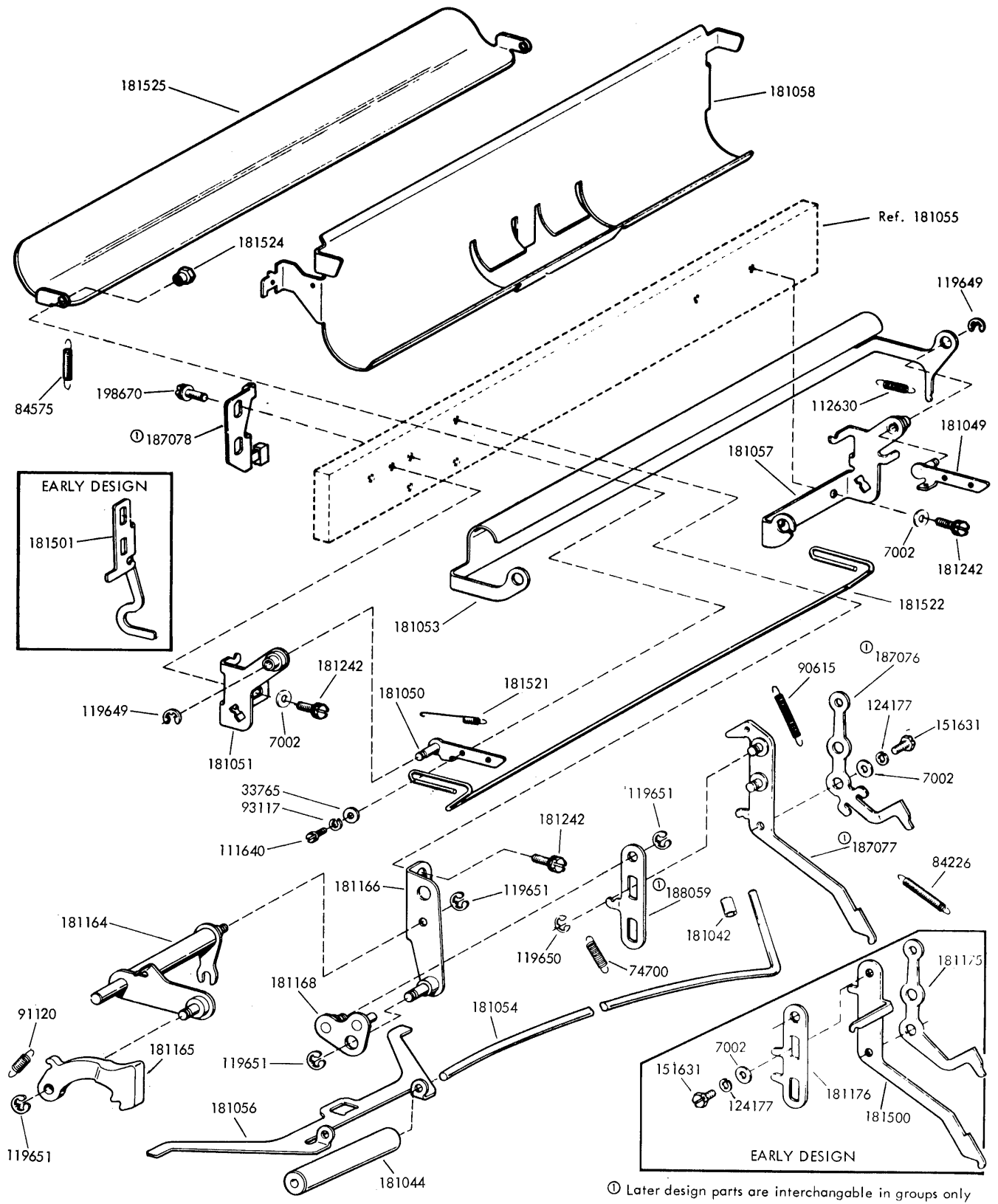


FIGURE 2. PAPER HANDLING MECHANISM - FRICTION FEED

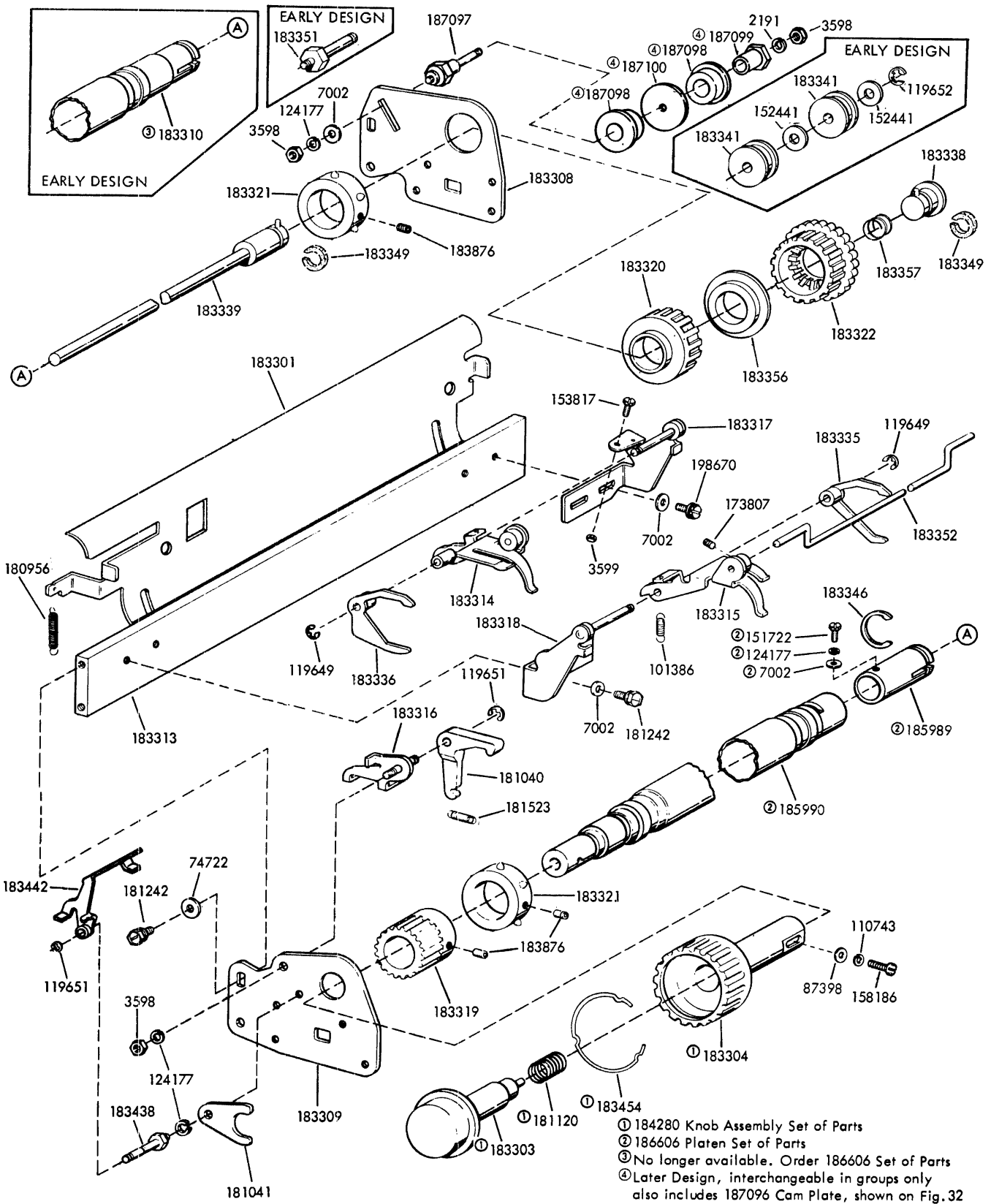


FIGURE 3. PLATEN MECHANISM - SPROCKET FEED

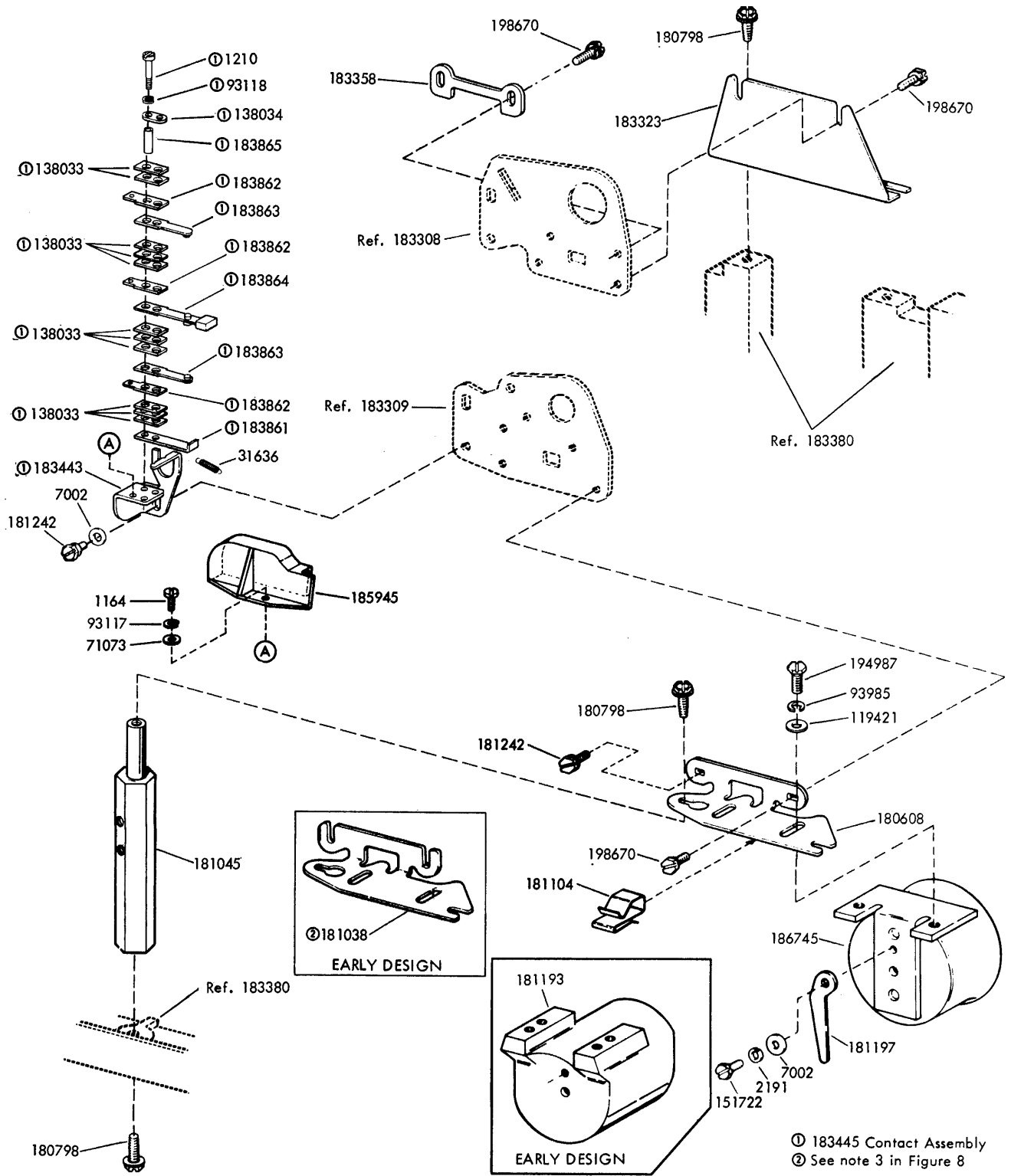
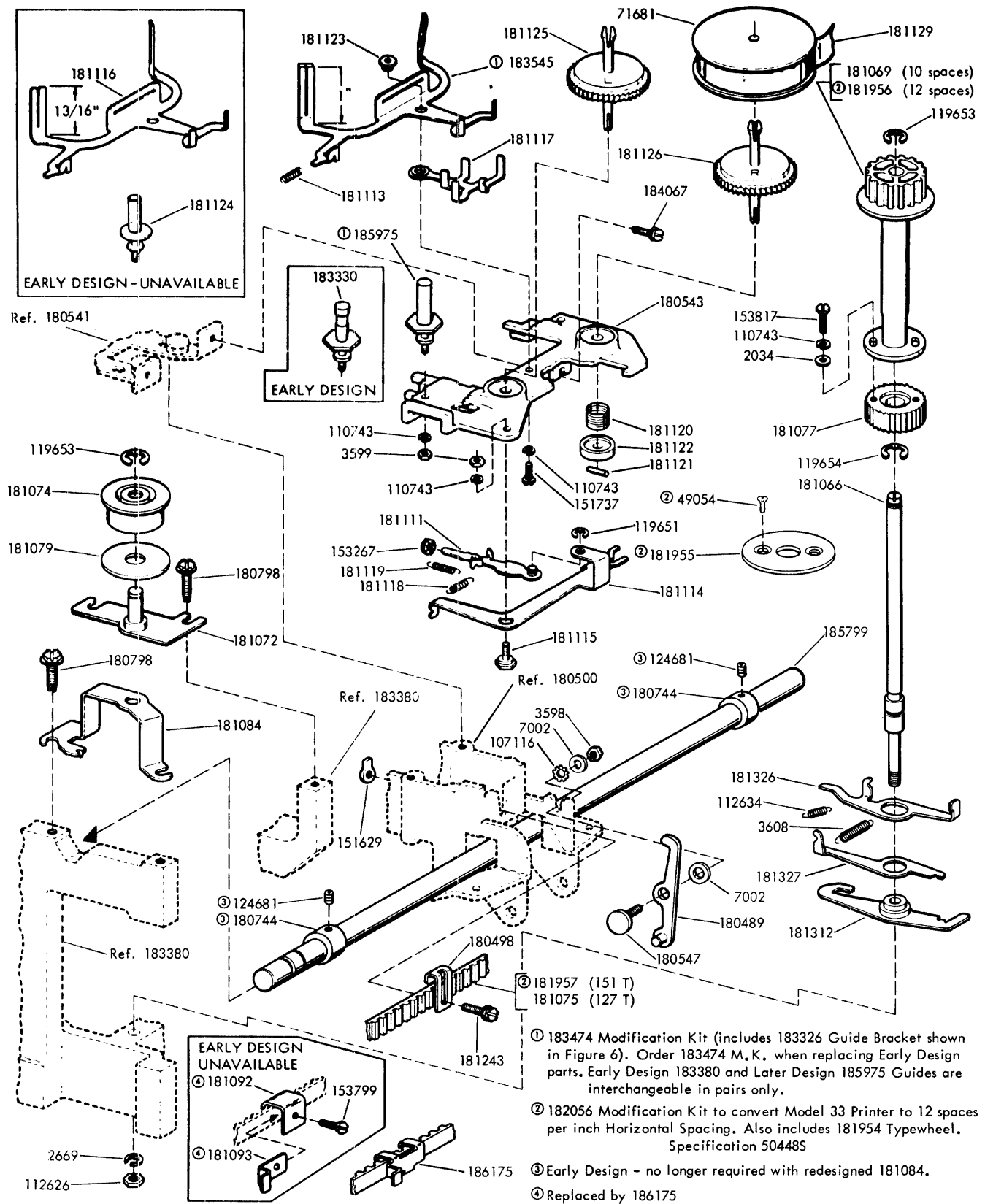


FIGURE 4. PLATEN MECHANISM - SPROCKET FEED (CONTINUED)



- ① 183474 Modification Kit (includes 183326 Guide Bracket shown in Figure 6). Order 183474 M.K. when replacing Early Design parts. Early Design 183380 and Later Design 185975 Guides are interchangeable in pairs only.
- ② 182056 Modification Kit to convert Model 33 Printer to 12 spaces per inch Horizontal Spacing. Also includes 181954 Typewheel. Specification 50448S
- ③ Early Design - no longer required with redesigned 181084.
- ④ Replaced by 186175

FIGURE 5. RIBBON FEED MECHANISM

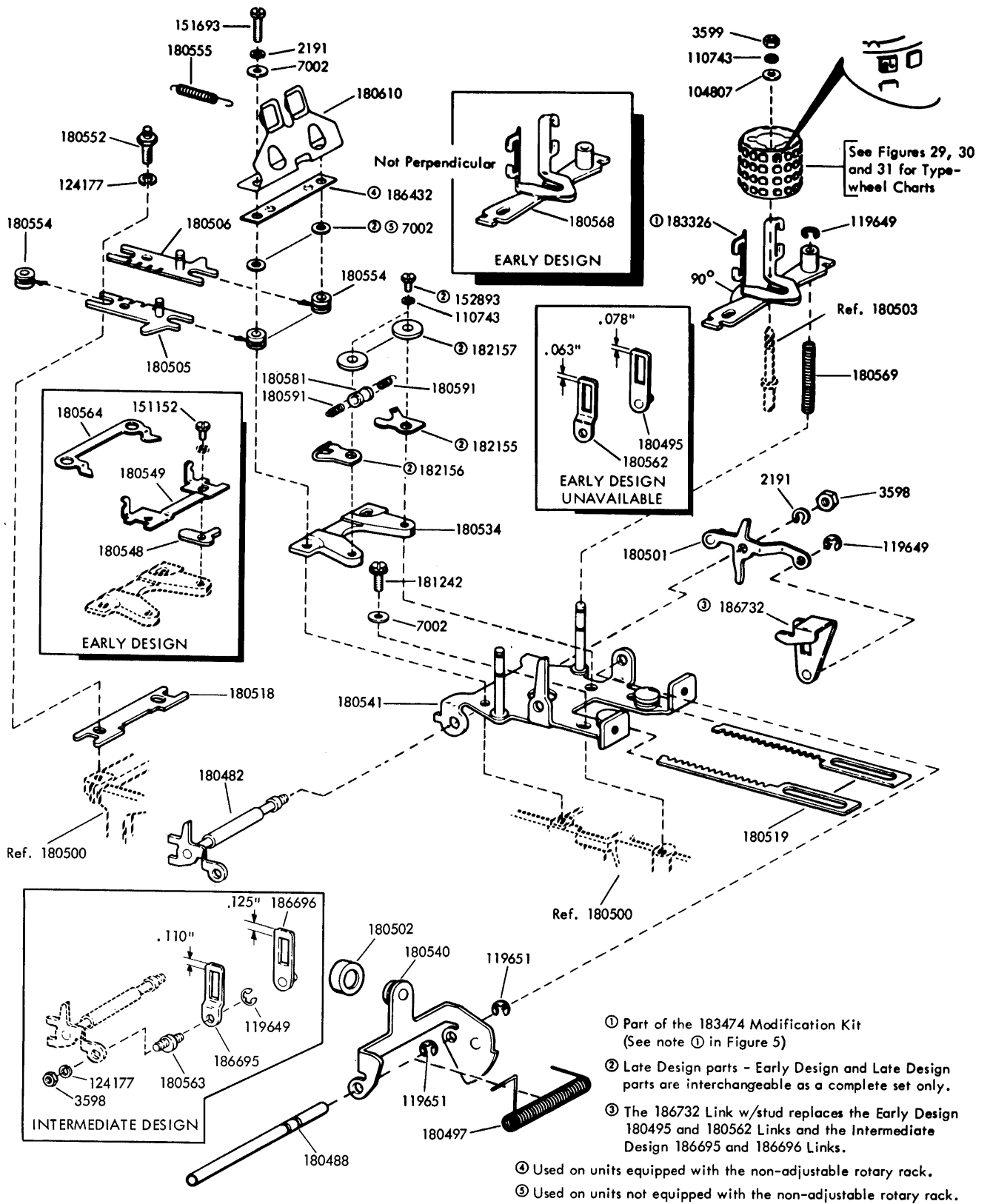


FIGURE 6. CARRIAGE UPPER PLATE MECHANISM

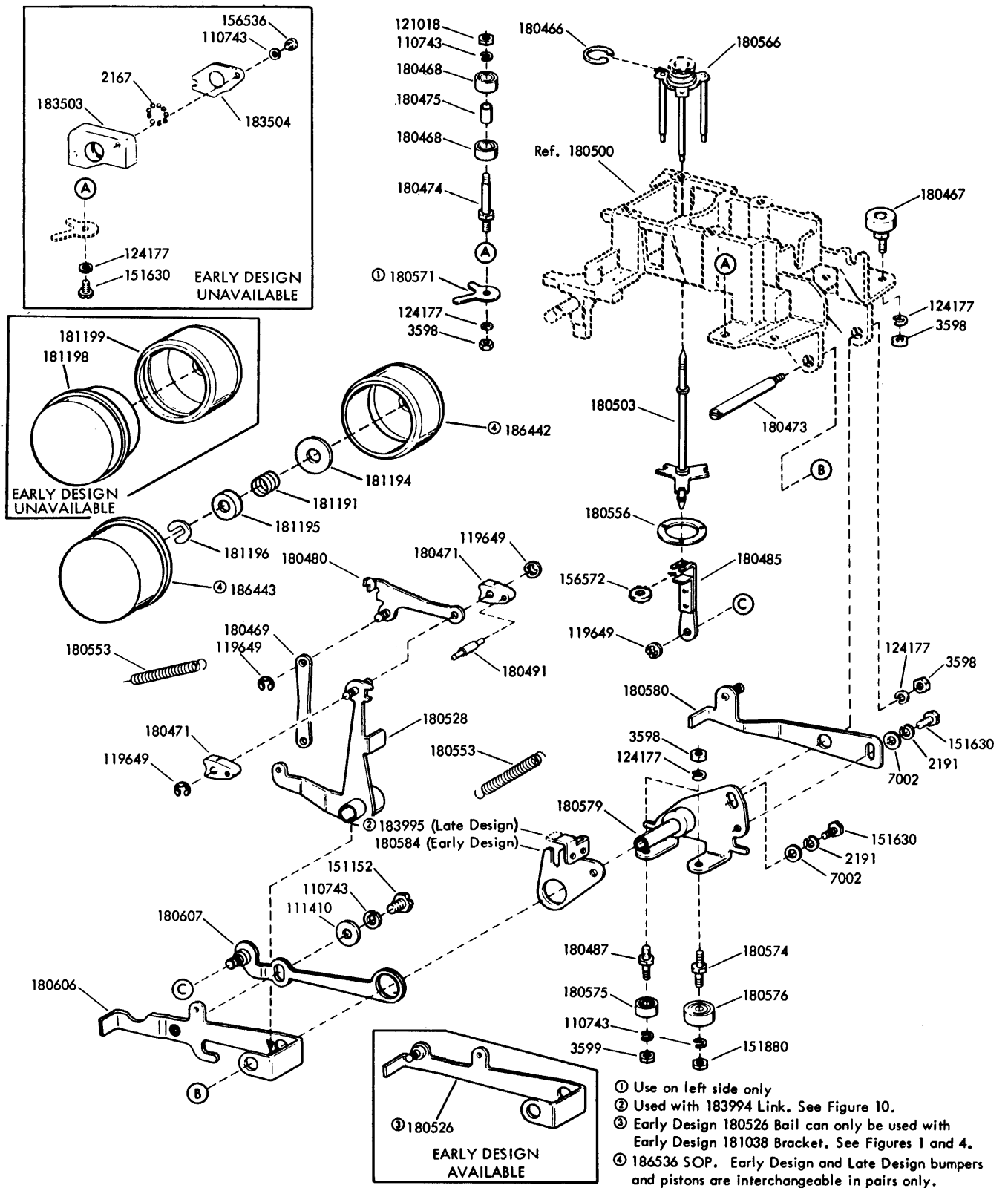


FIGURE 8. CARRIAGE POWER BAIL MECHANISM

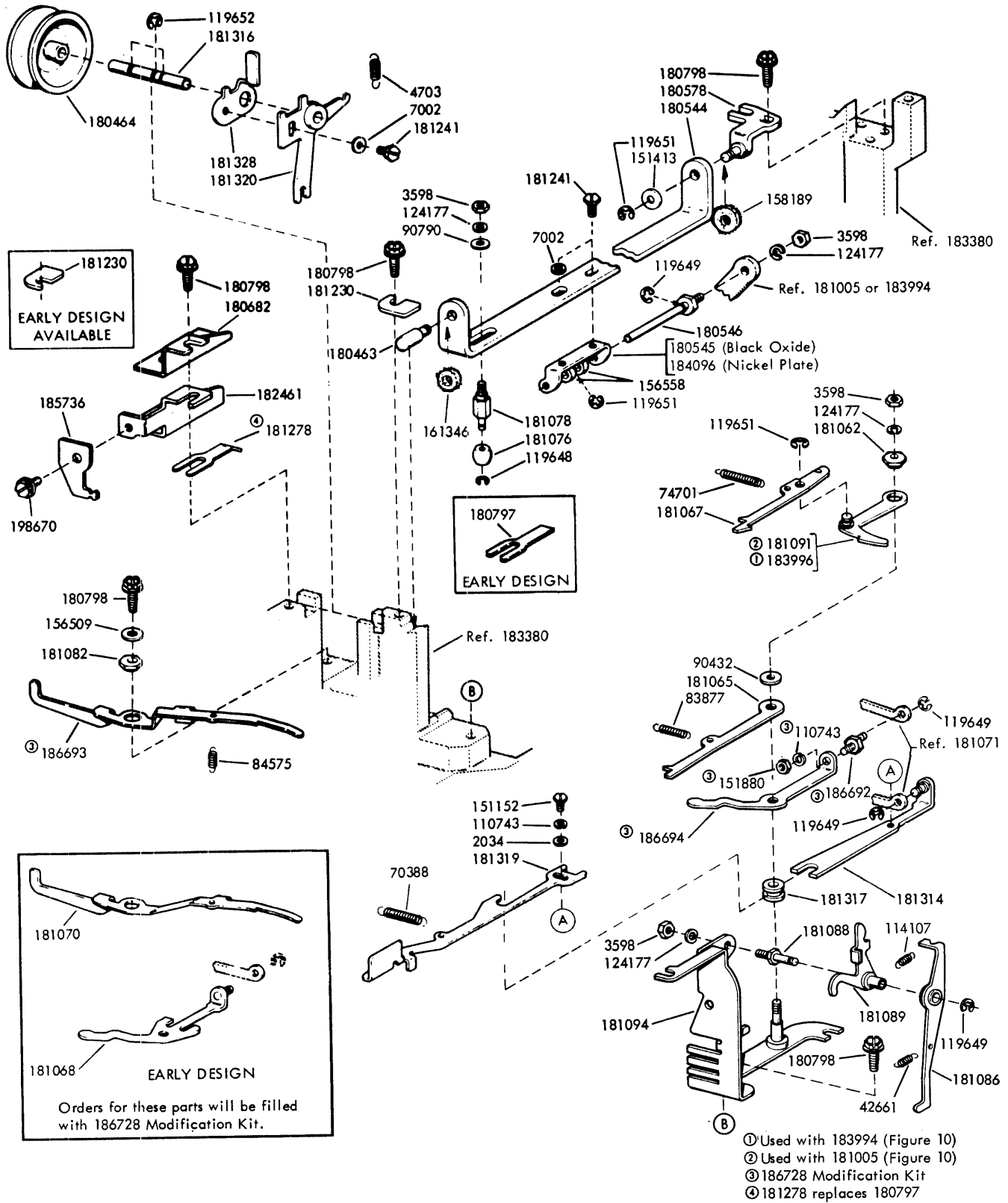


FIGURE 9. CARRIAGE DRIVE BAIL MECHANISM

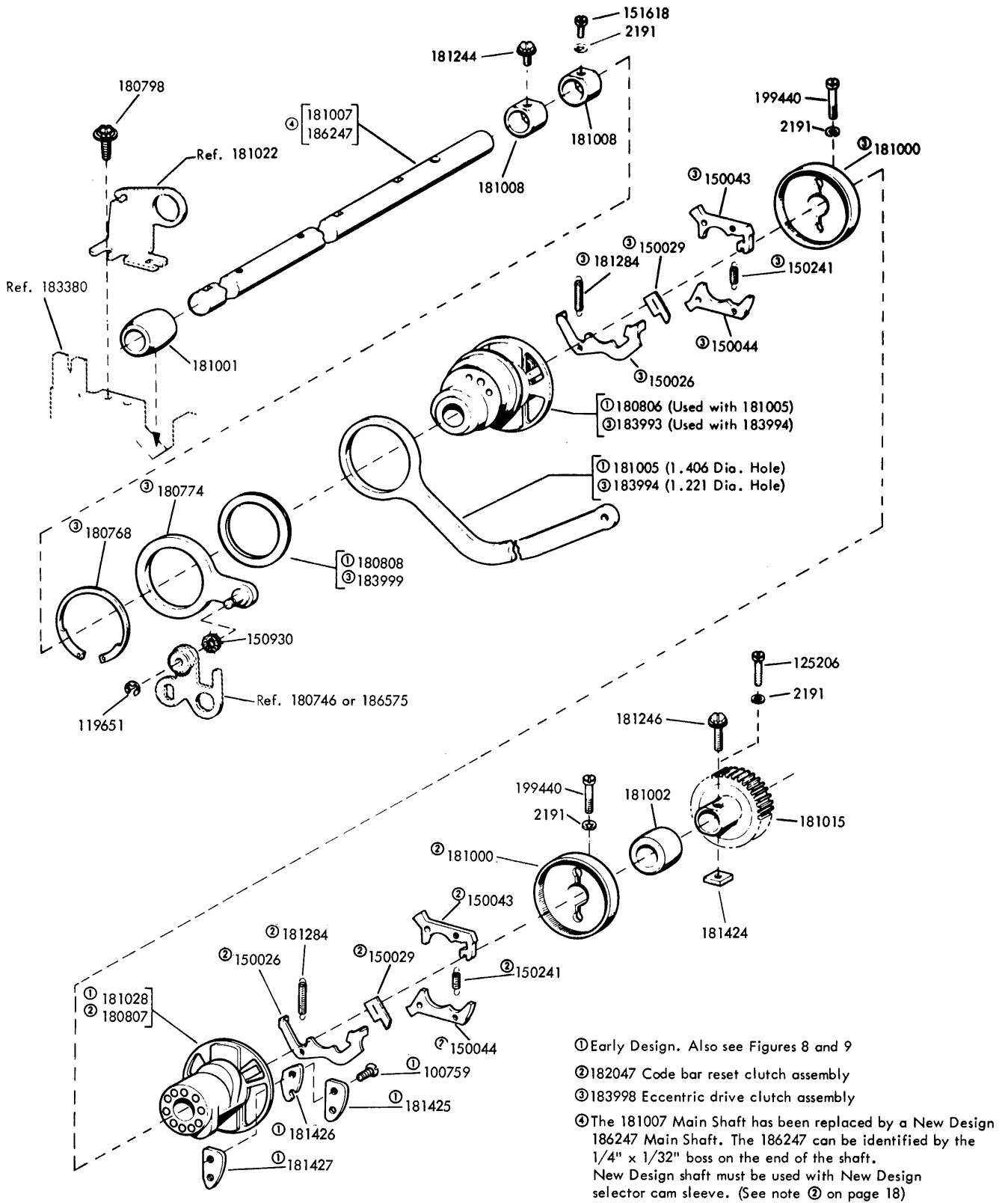
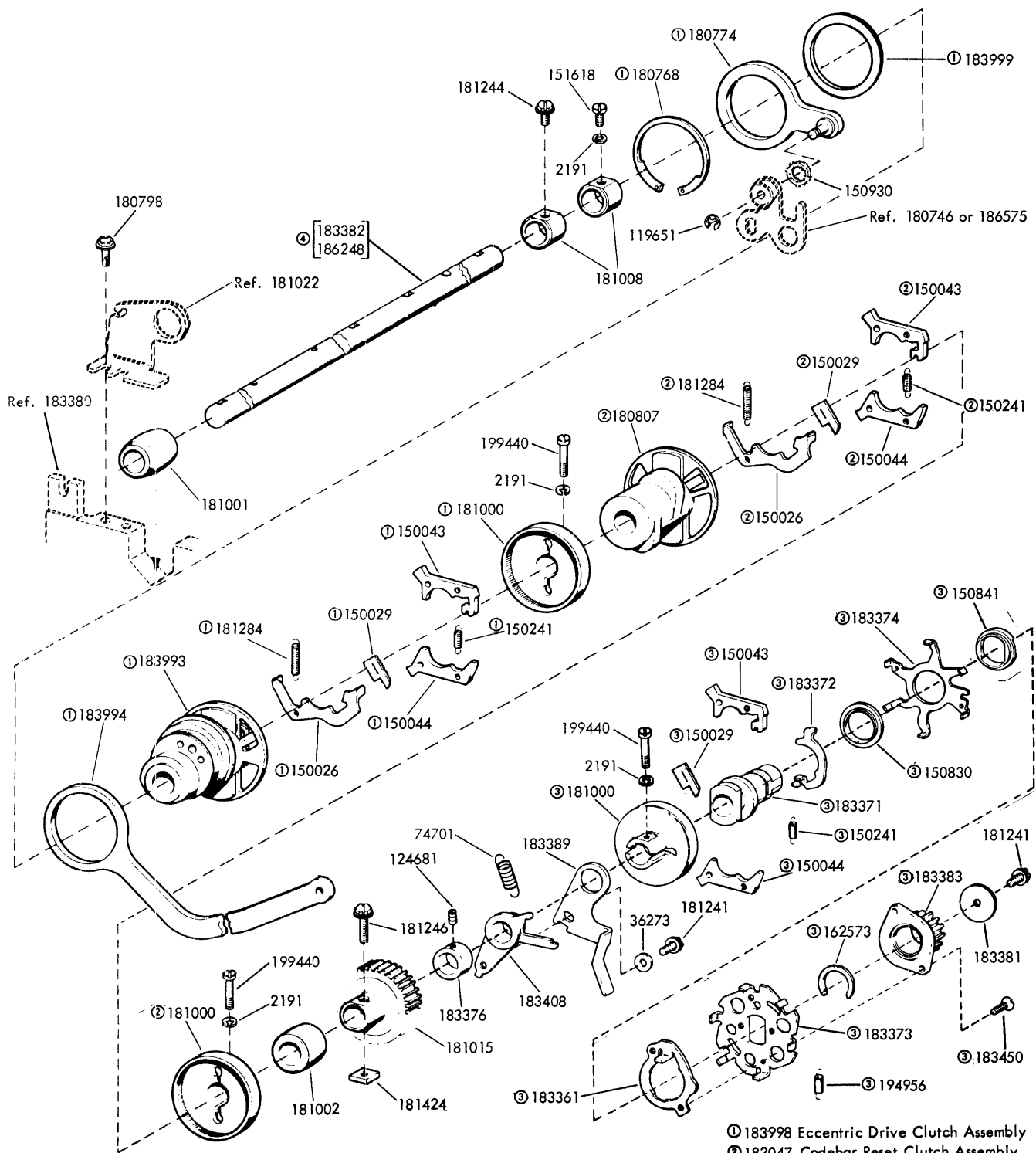


FIGURE 10. MAIN SHAFT MECHANISM - FRICTION FEED



- ① 183998 Eccentric Drive Clutch Assembly
- ② 182047 Codebar Reset Clutch Assembly
- ③ 183492 Line Feed Clutch Assembly

④ The 183382 Main Shaft has been replaced by a New Design 186248 Main Shaft. The 186248 can be identified by the 1/4" x 1/32" boss on the end of the shaft. New Design shaft must be used with New Design selector cam sleeve. (See note ② on page 18)

FIGURE 11. MAIN SHAFT MECHANISM - SPROCKET FEED

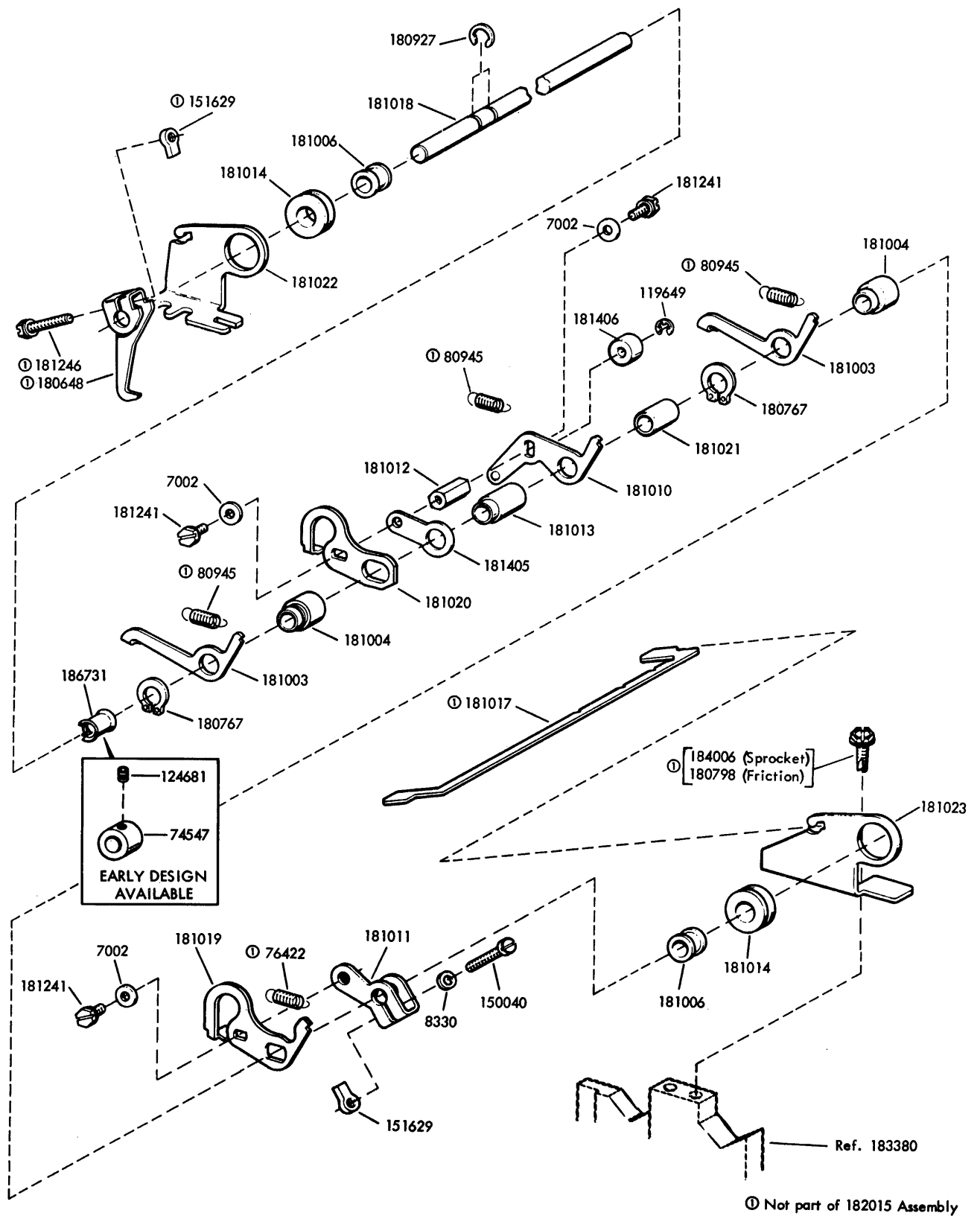


FIGURE 12. 182015 CLUTCH TRIP LEVER ASSEMBLY

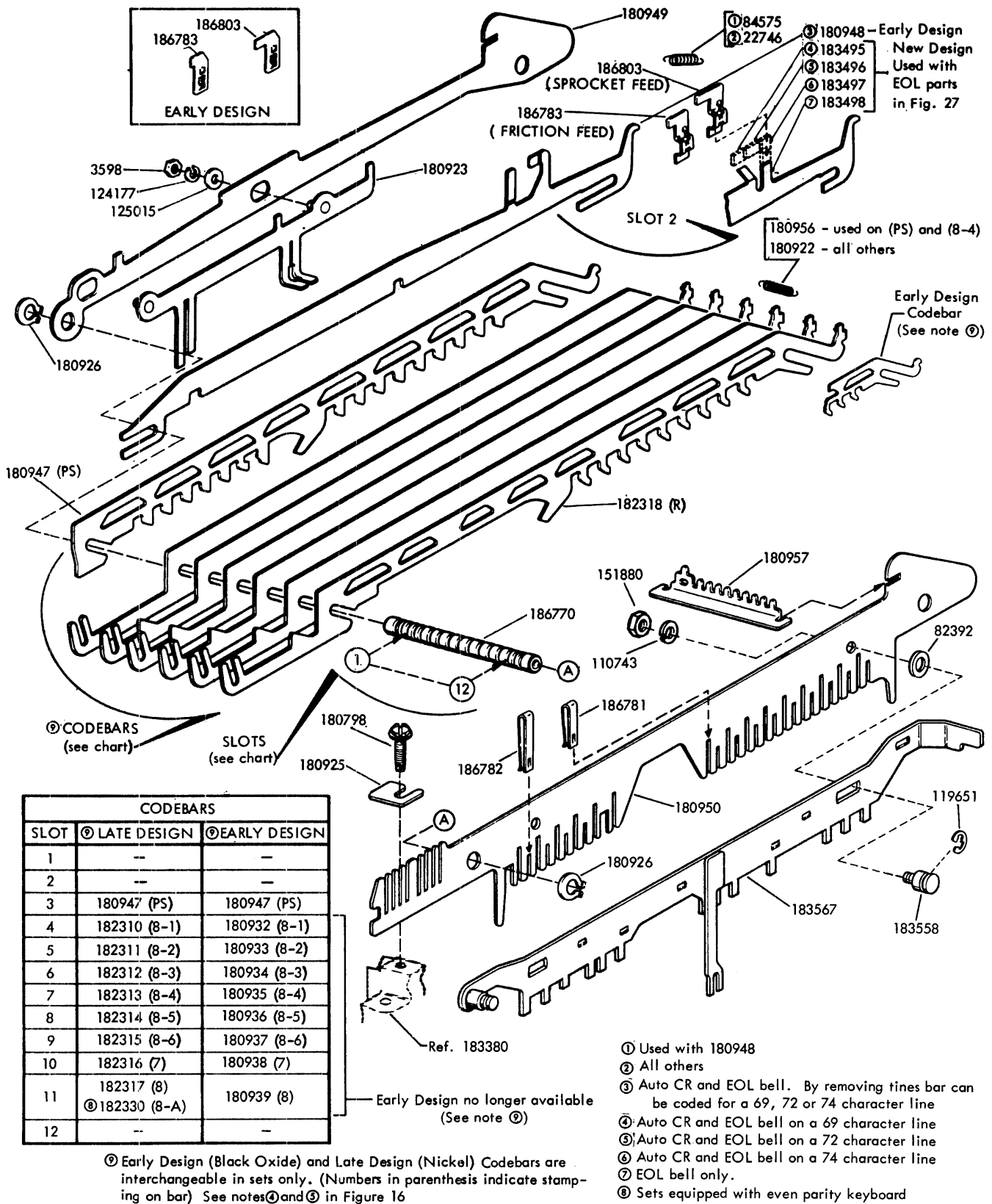


FIGURE 13. CODEBAR BASKET MECHANISM

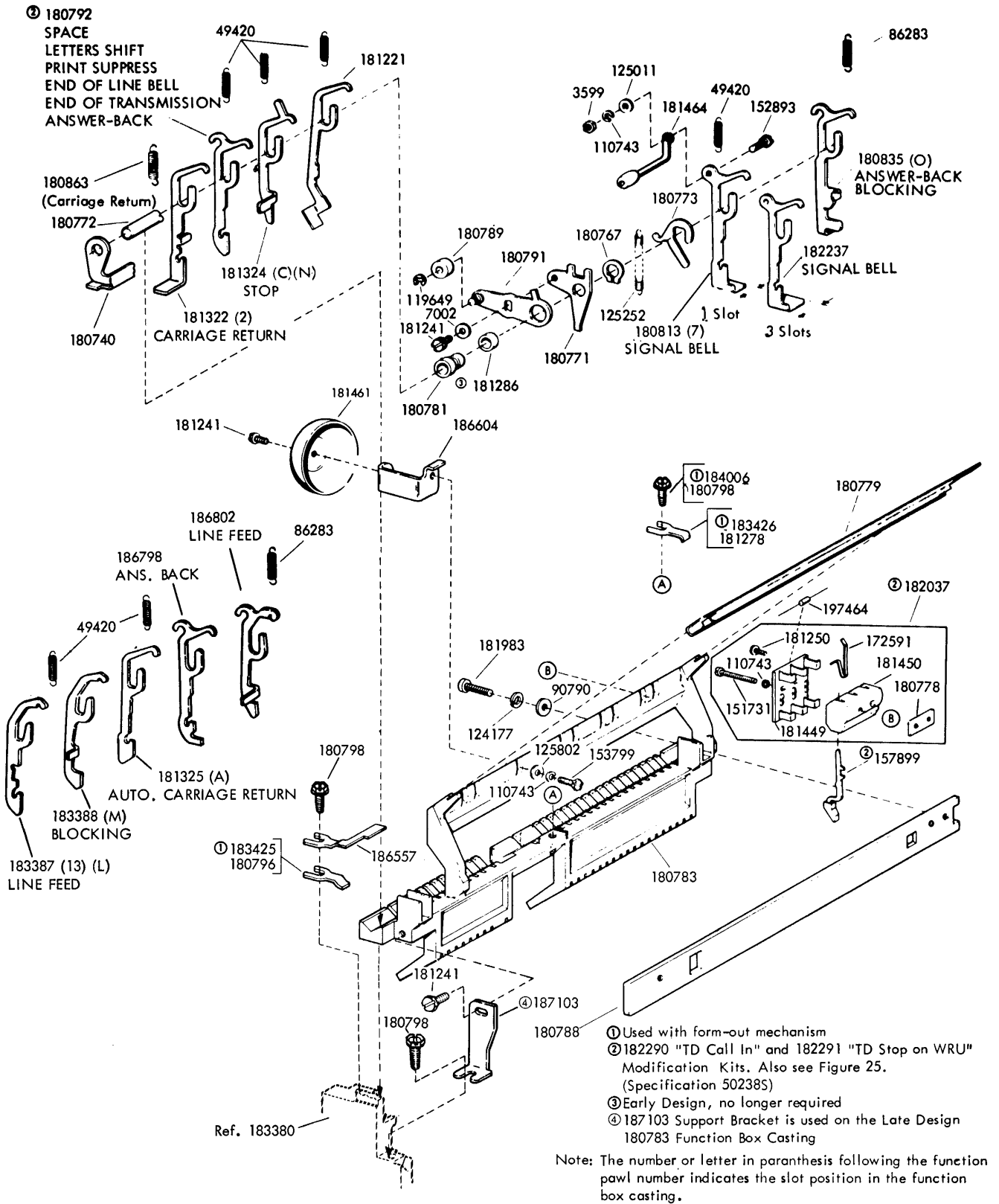


FIGURE 14. FUNCTION BOX MECHANISM

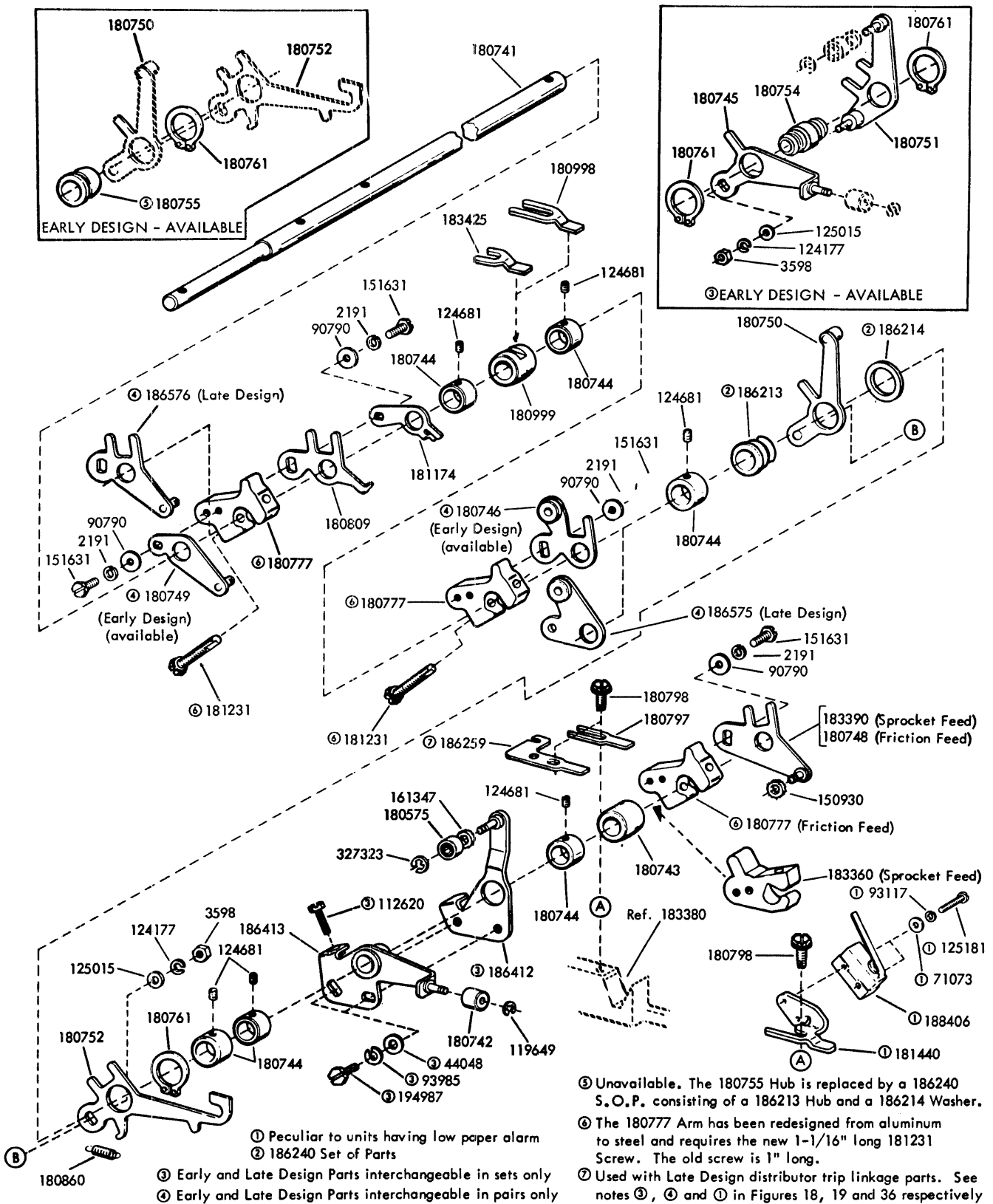


FIGURE 15. FUNCTION SHAFT MECHANISM

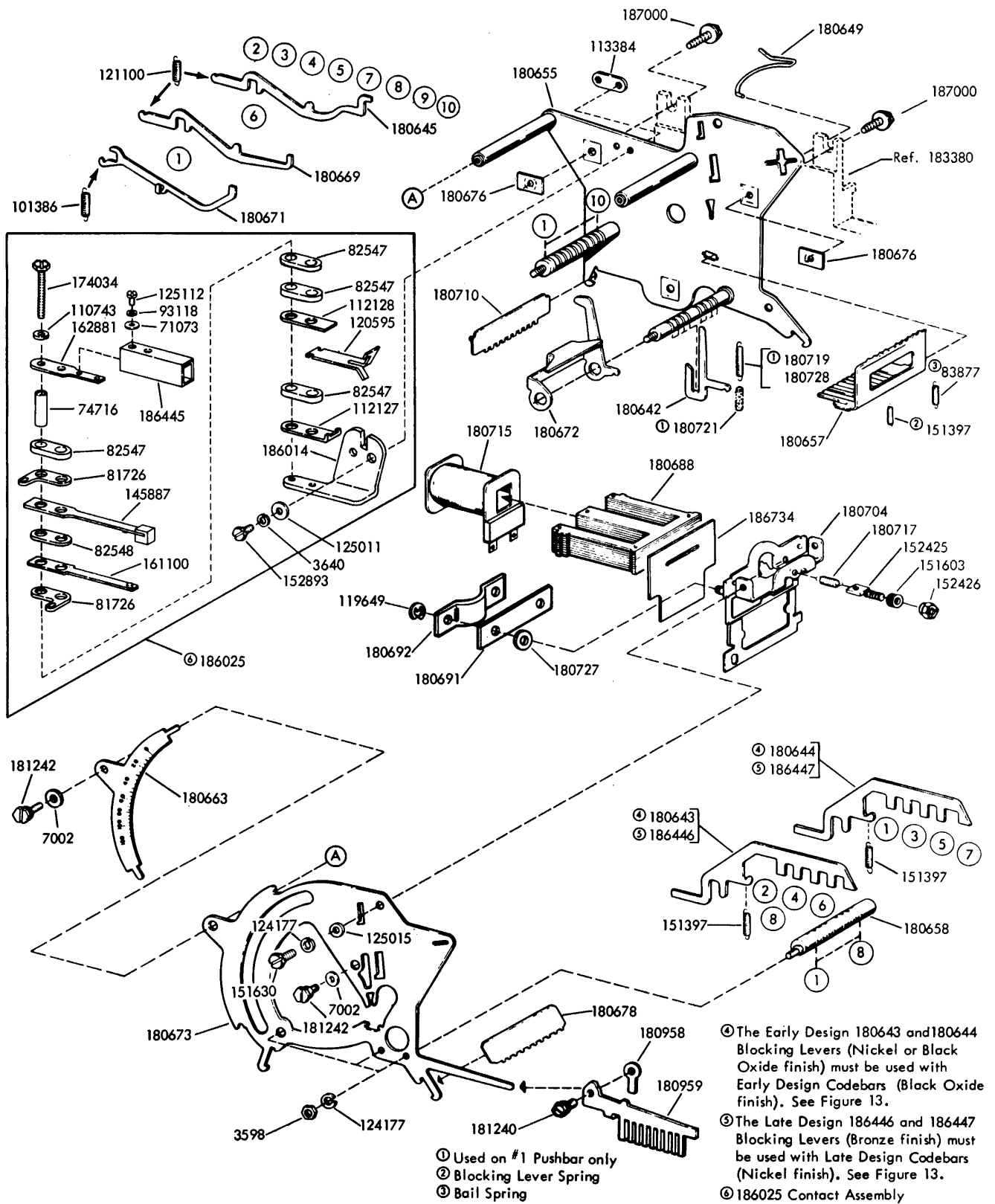


FIGURE 16. SELECTOR FRAME MECHANISM

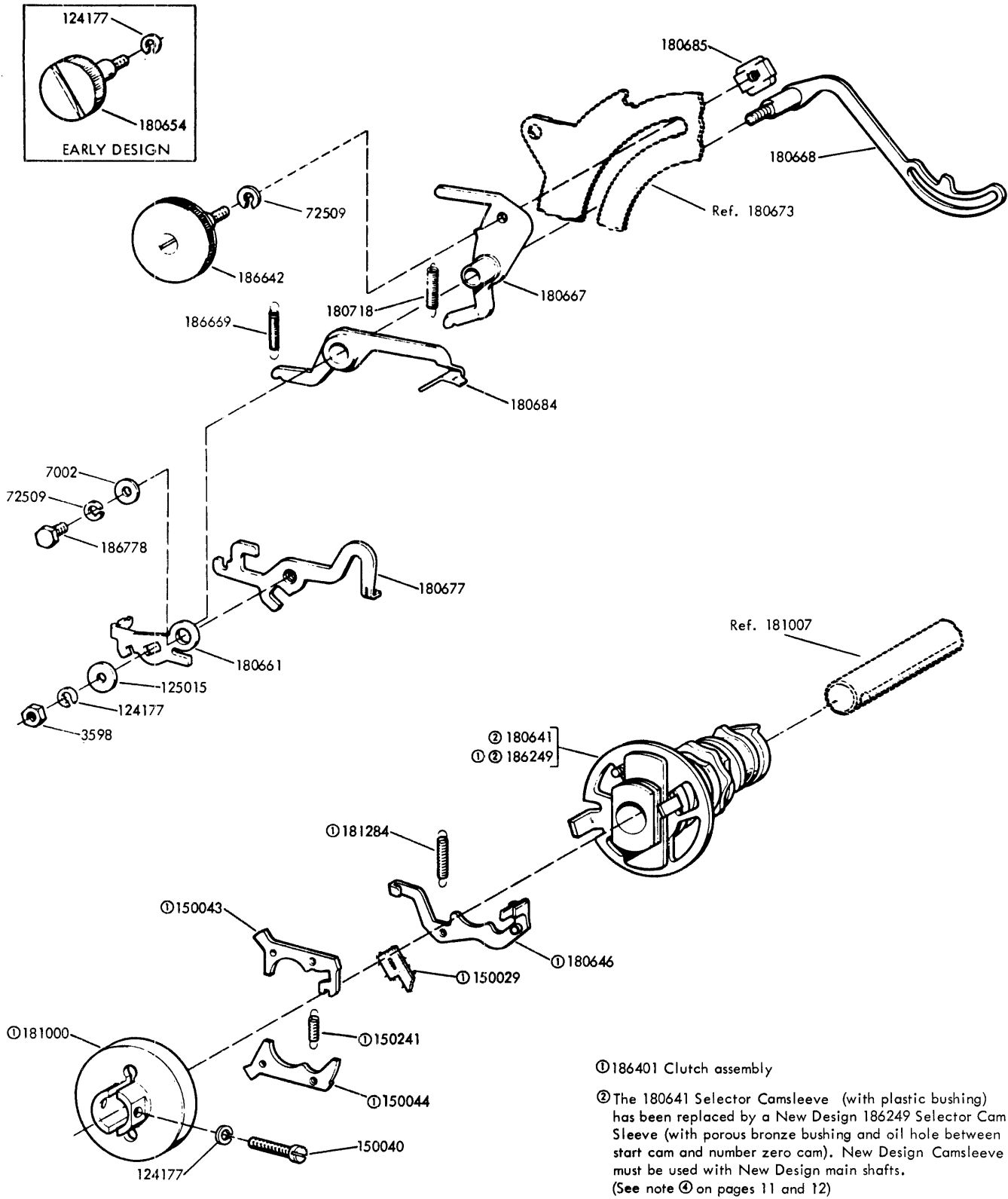


FIGURE 17. CLUTCH AND CAMSLEEVE MECHANISM

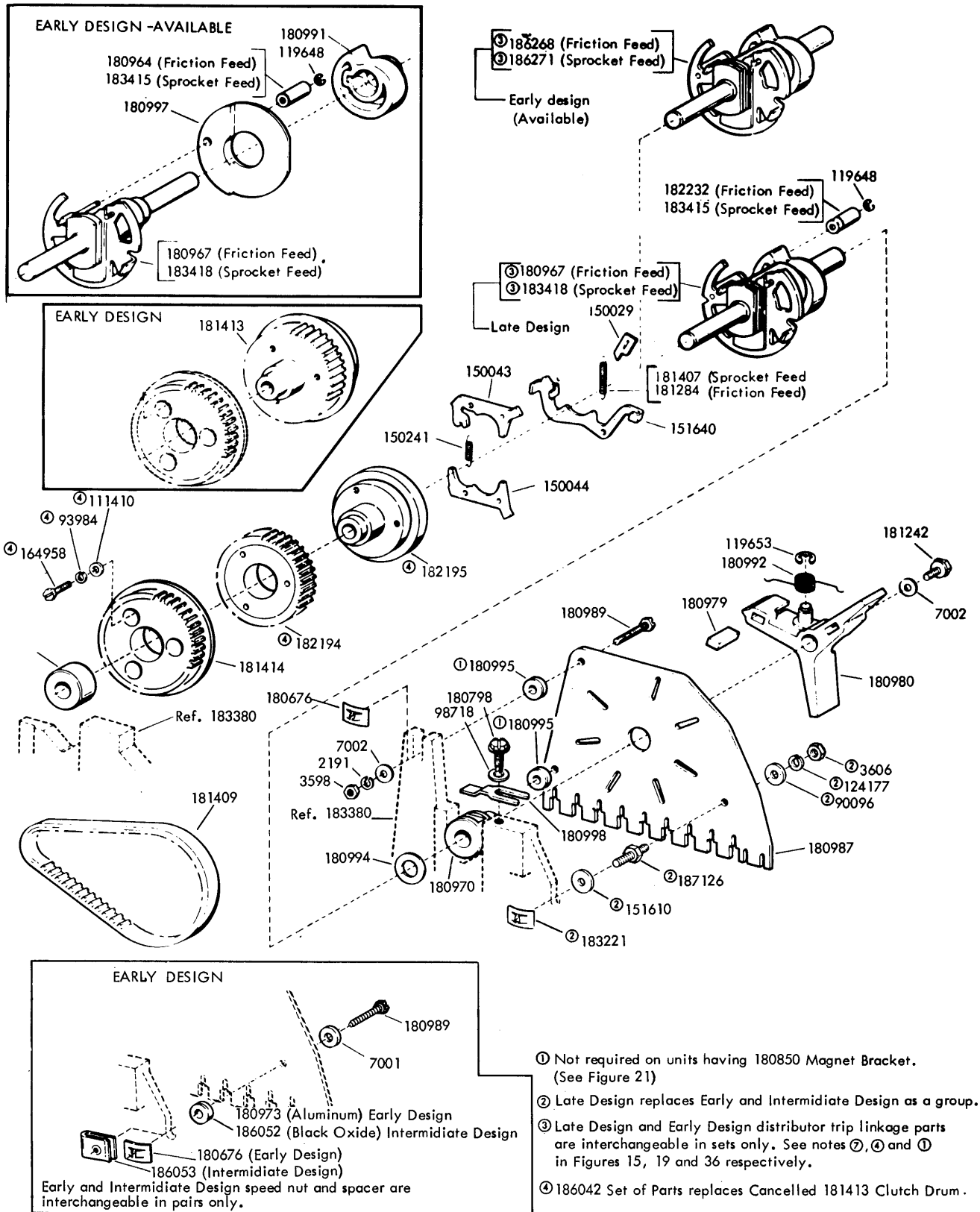


FIGURE 18. DISTRIBUTOR CLUTCH MECHANISM

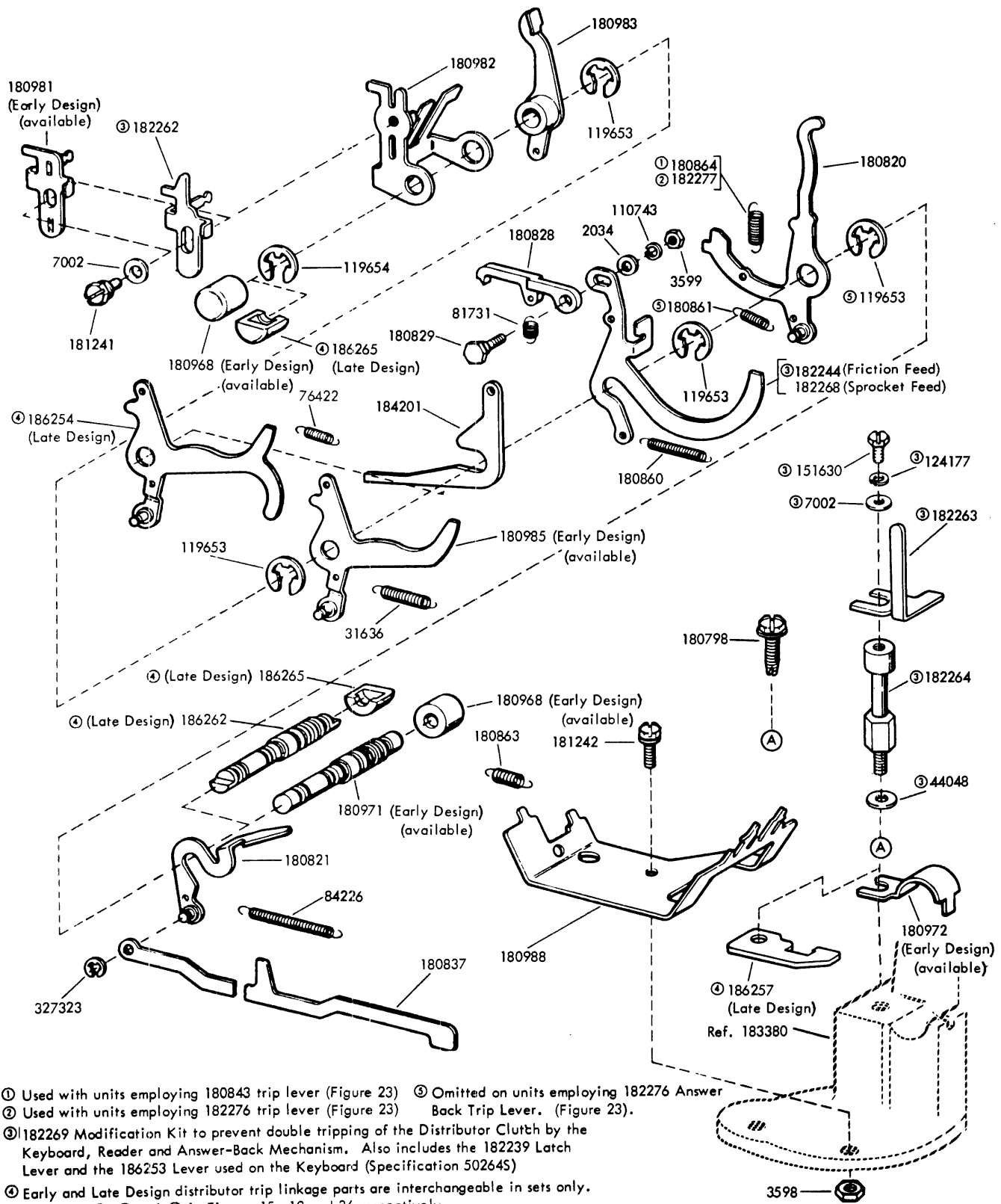


FIGURE 19. TRIP SHAFT MECHANISM

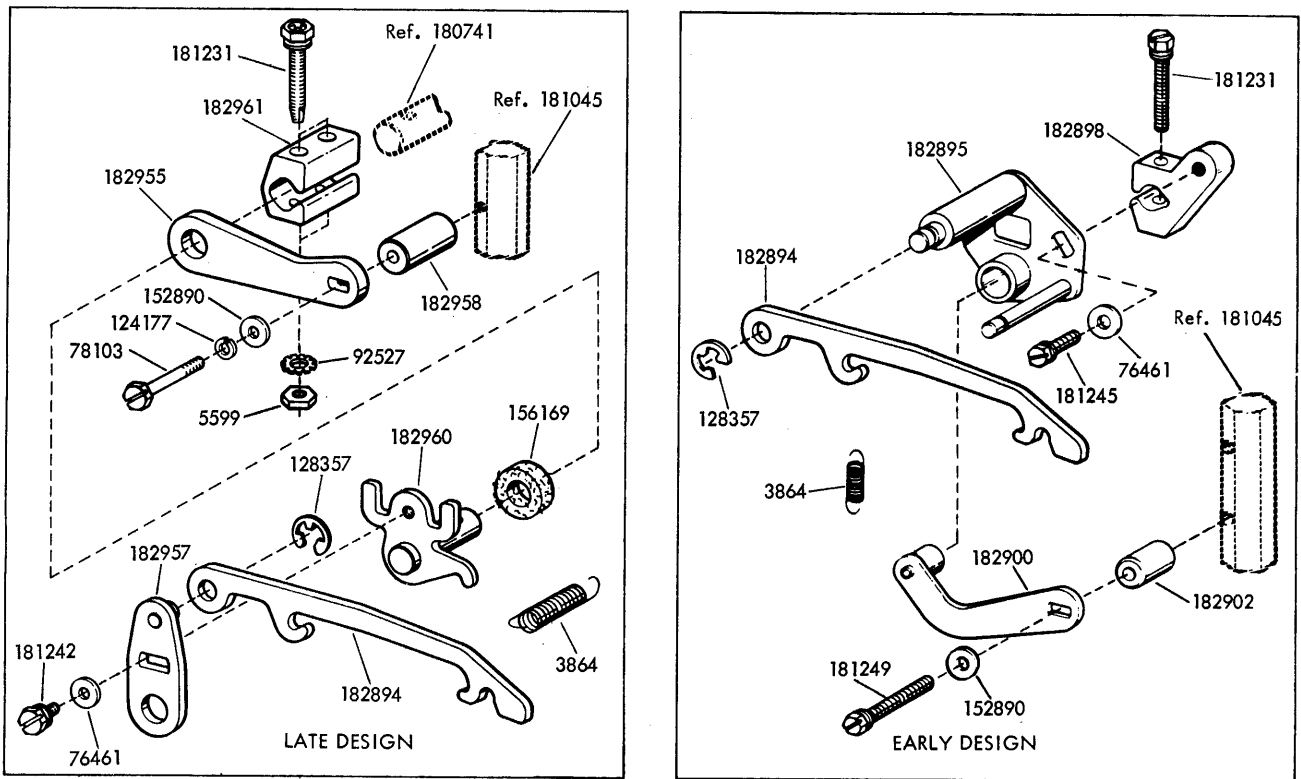


FIGURE 20. 182964 DRIVE ARM ASSEMBLY

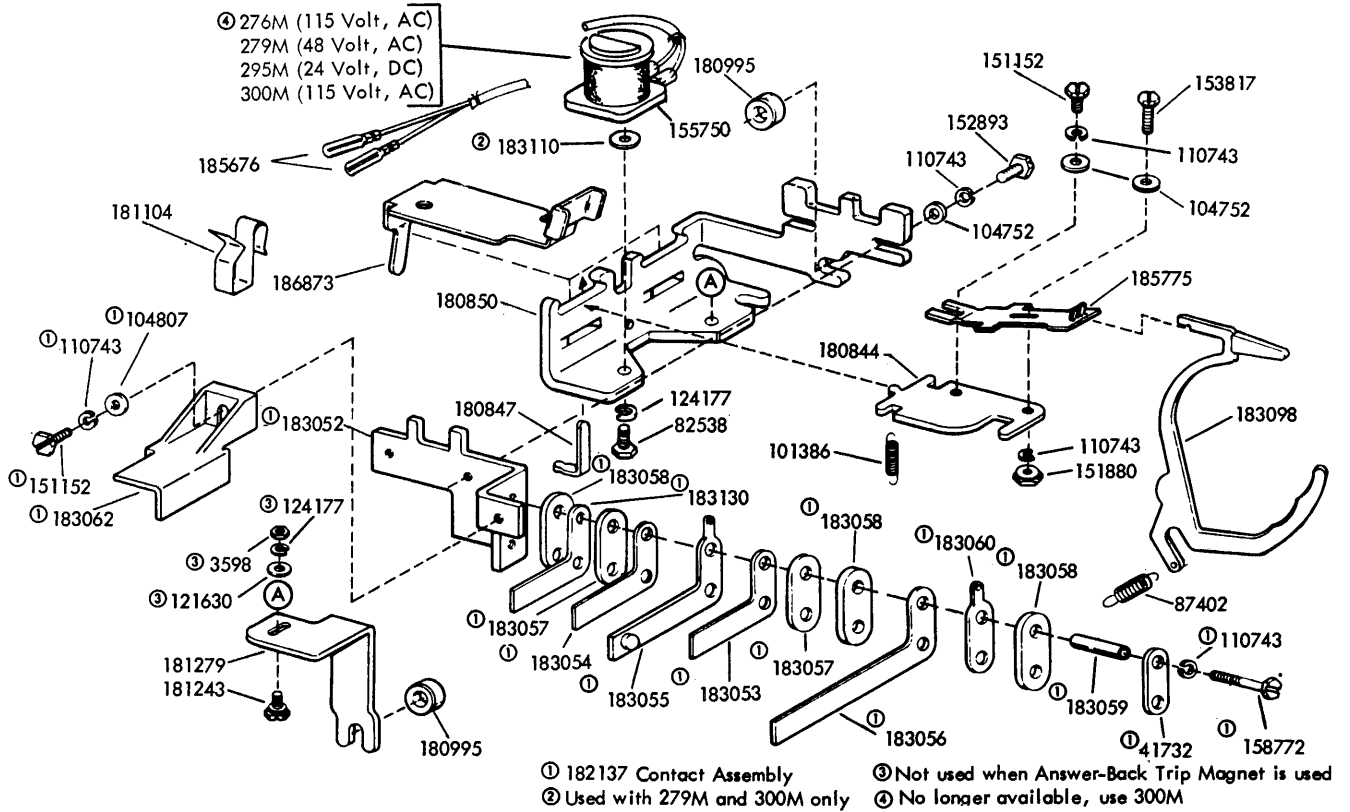


FIGURE 21. CLUTCH TRIP MECHANISM

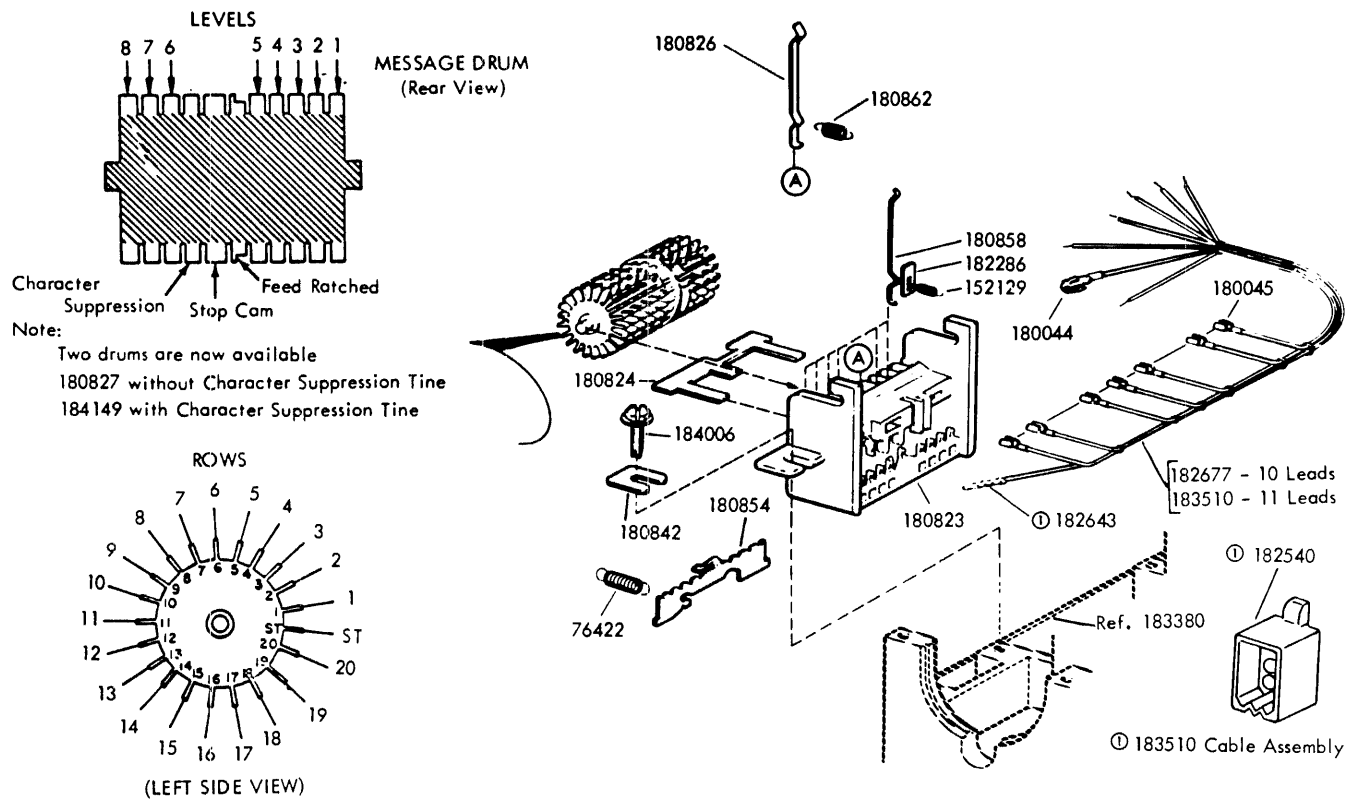


FIGURE 22. ANSWER-BACK DRUM MECHANISM

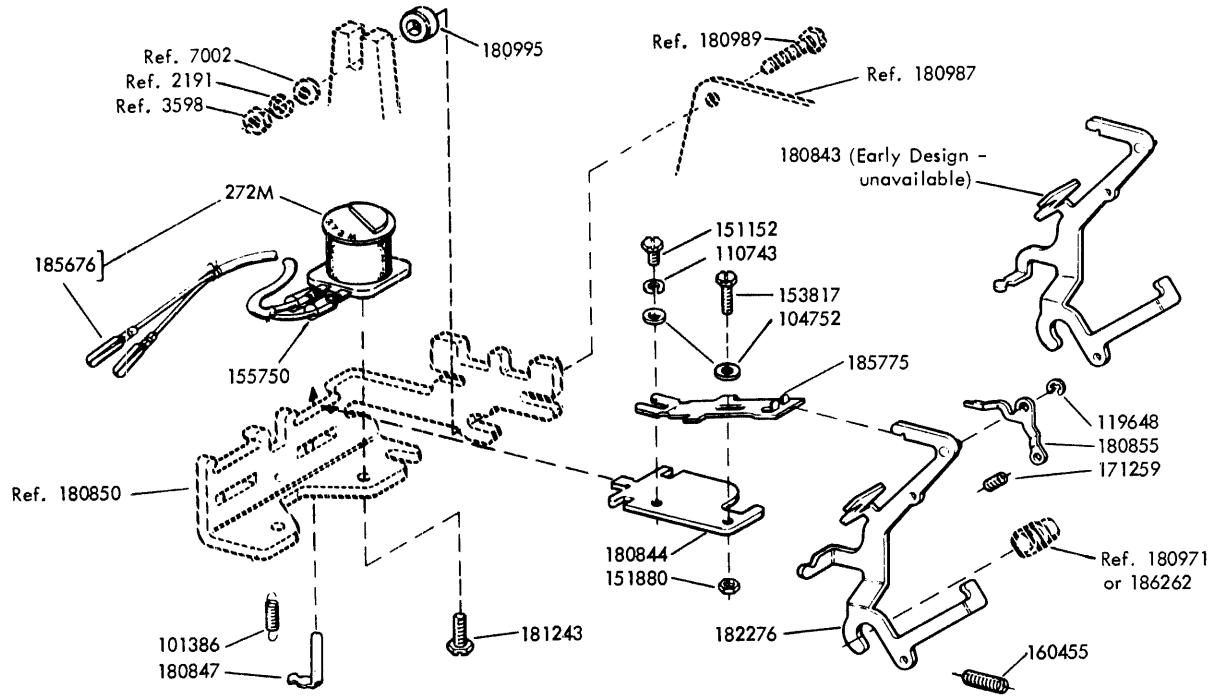
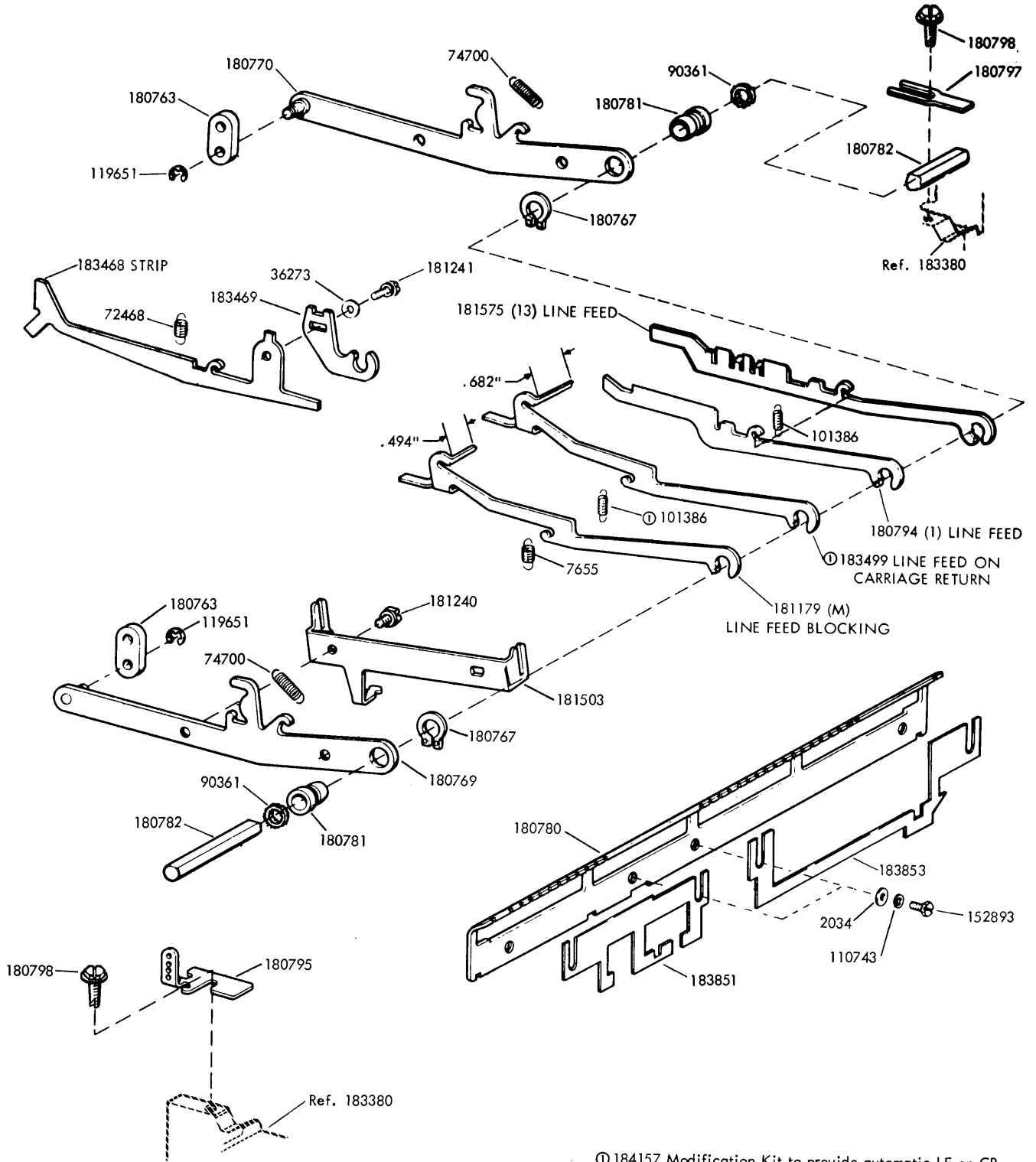


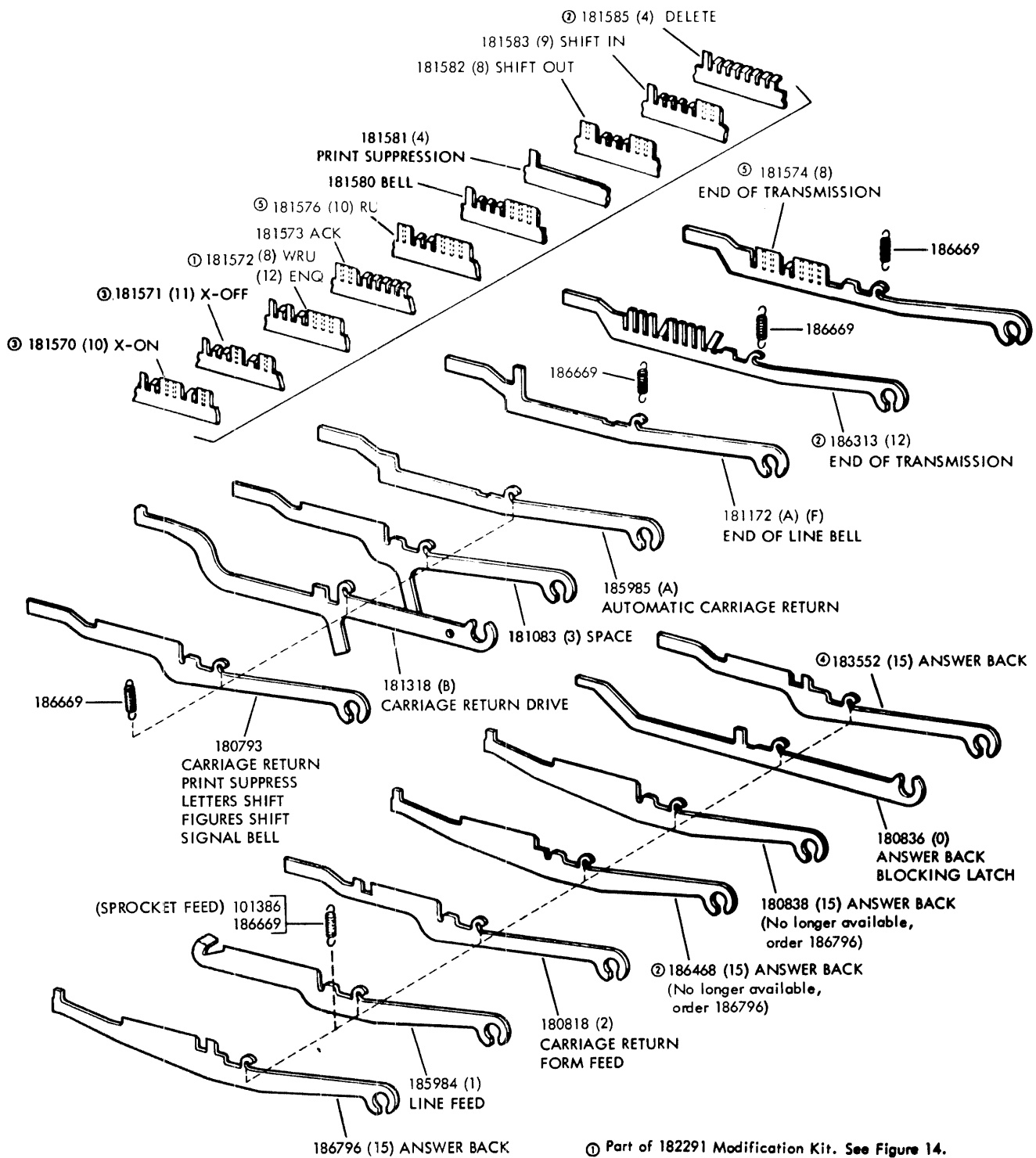
FIGURE 23. ANSWER-BACK TRIP MAGNET MECHANISM



① 184157 Modification Kit to provide automatic LF on CR
Specification 50413S

Number or letter in parenthesis () indicates slot Function Levers may occupy.

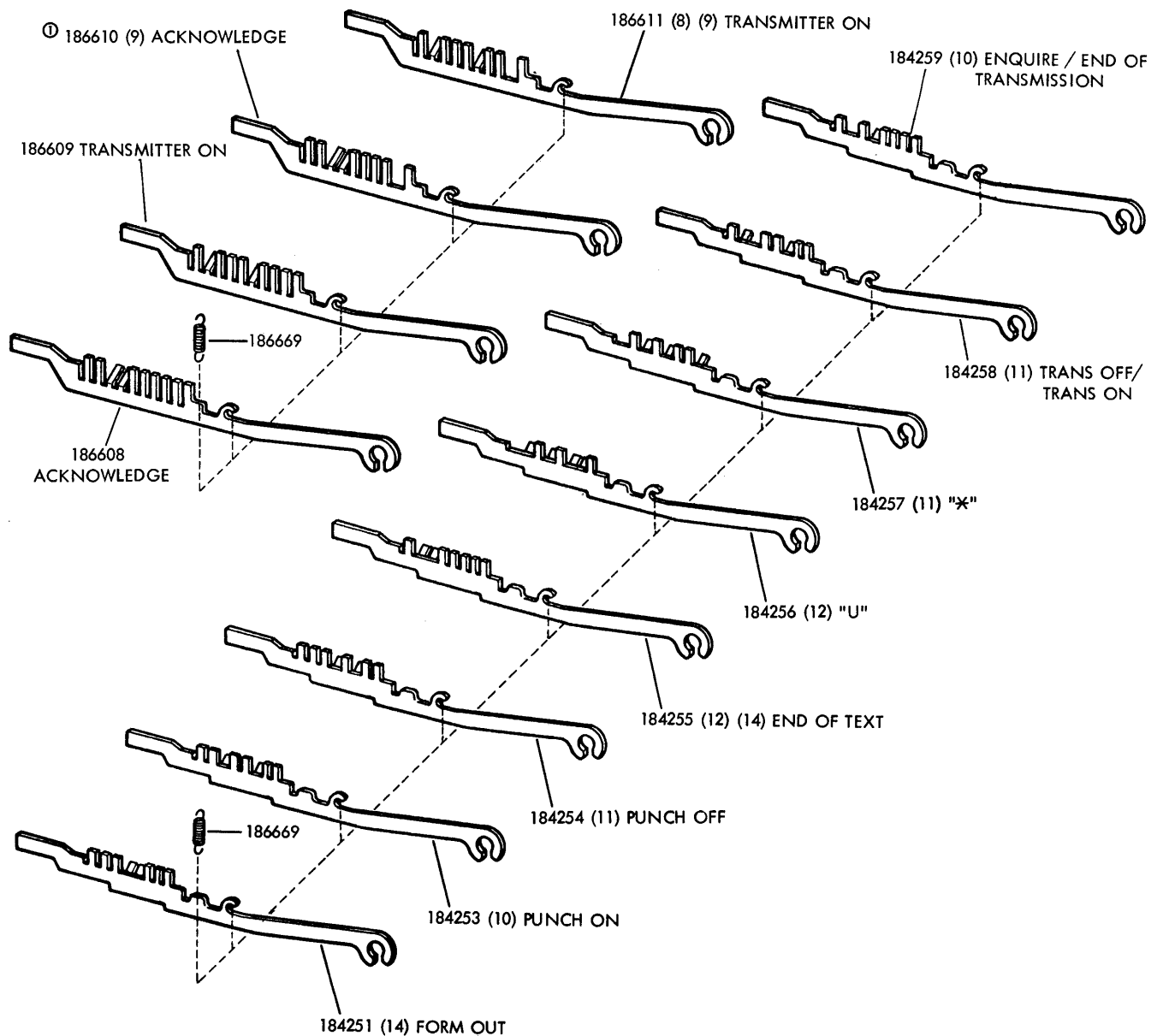
FIGURE 24. LINE FEED FUNCTION LEVER MECHANISM



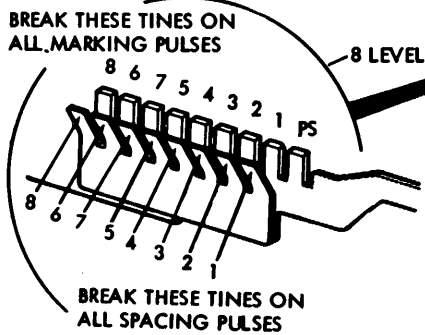
- ① Part of 182291 Modification Kit. See Figure 14.
- ② ASCII 1967 Code
- ③ Peculiar to units equipped with automatic reader control
- ④ Peculiar to units having two-color printing
- ⑤ ASCII 1963 Code

NOTE: Number or letter in parenthesis () indicates slot Function Lever may occupy.

FIGURE 25. FUNCTION LEVERS



Ⓢ ASCII 1967 Code



Coding a 180801 Uncoded Universal Function Lever, To perform a special function or contact closure, is to be done before installation of part. For 8 level usage starting at pivoted end, the tines are numbered 8, 6, 7, 5, 4, 3, 2, 1 and PS, tines 6 and 7 are not in numerical order. Choose the code combination the lever is to respond to. Note marking pulses. Break off the straight tines whose number corresponds to the marking pulses. Break off the bent tines whose number corresponds to the spacing pulses.

PS-Refers to Print Suppression and is broken off when printing is desired.

On eight level codes, break both tines on position 8 unless respond to parity level (8th) is required.

Note: Number or letter in parenthesis () indicates slot Function Lever may occupy.

FIGURE 26. FUNCTION LEVERS (CONTINUED)

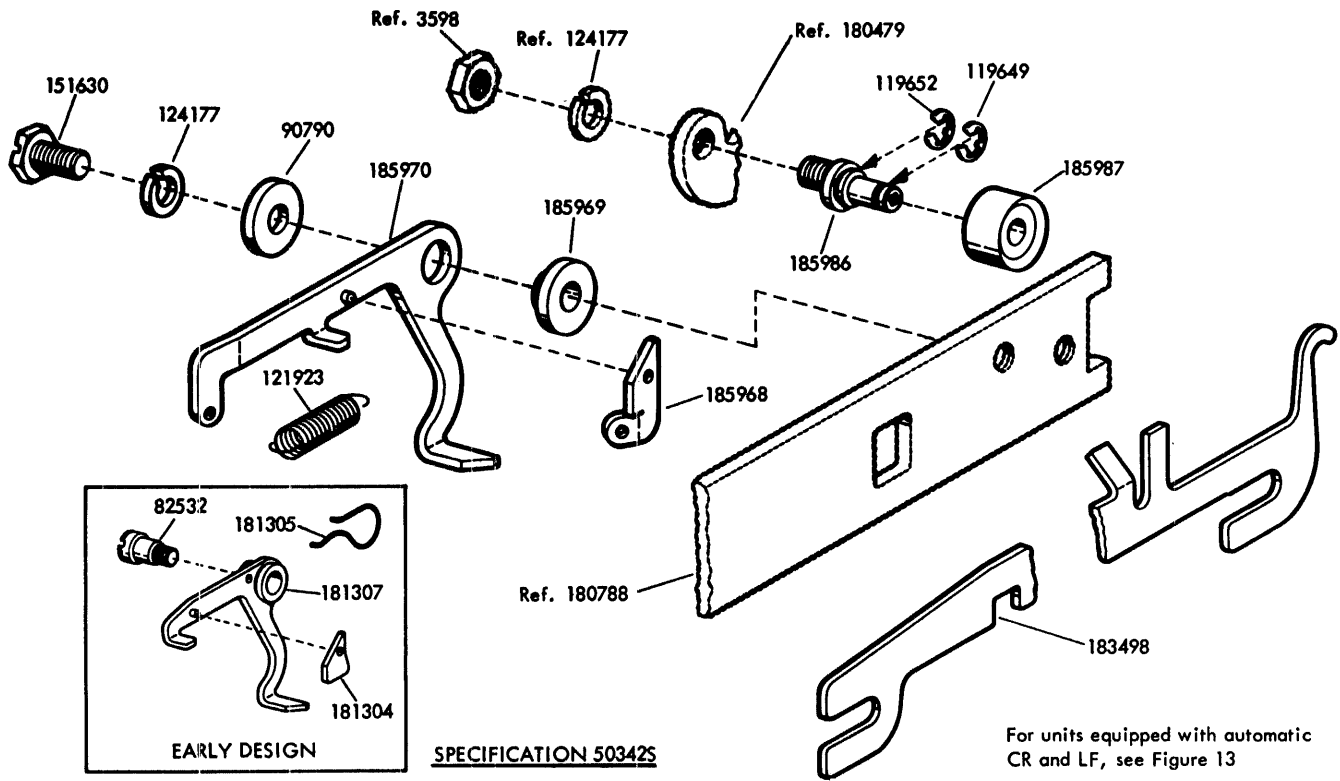


FIGURE 27. 185971 MODIFICATION KIT TO PROVIDE PRINTER WITH AN END-OF-LINE BELL TO RING ON APPROXIMATELY THE 62ND CHARACTER

For units equipped with automatic CR and LF, see Figure 13

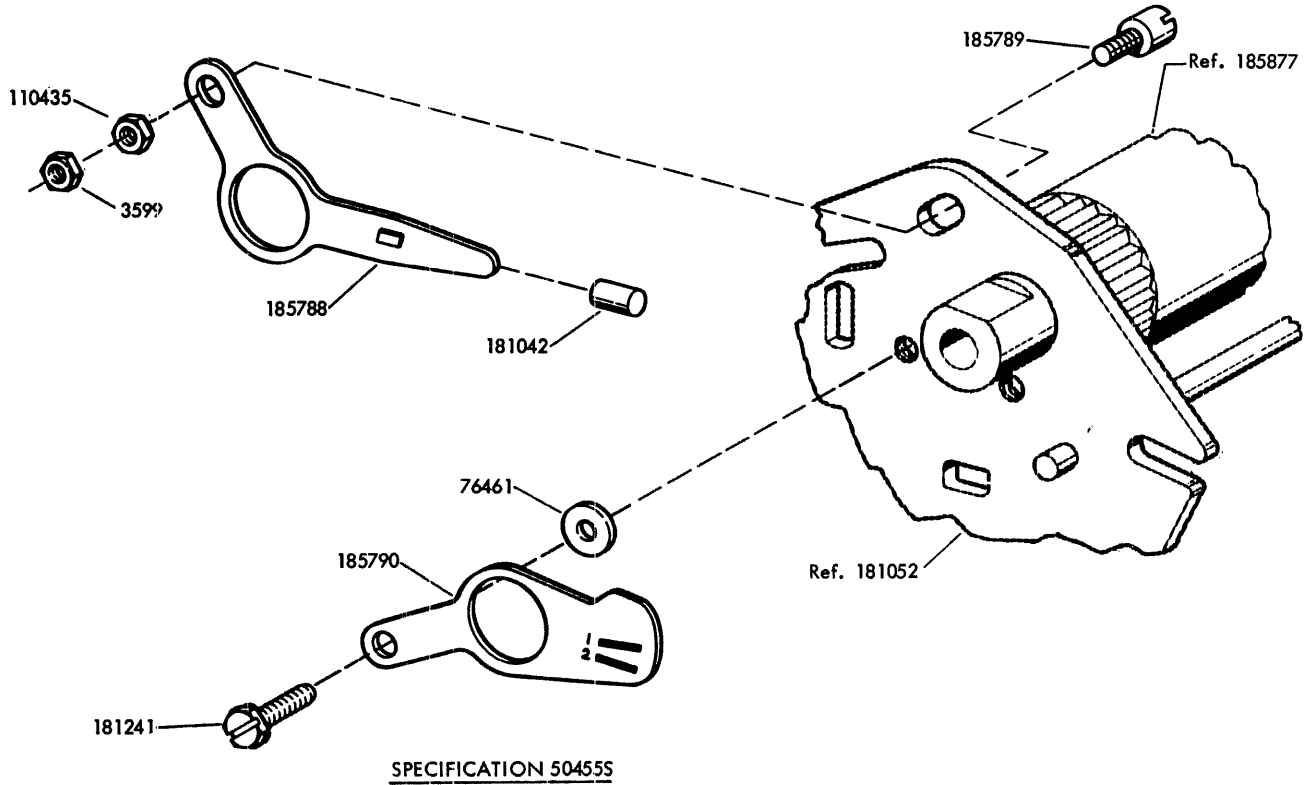
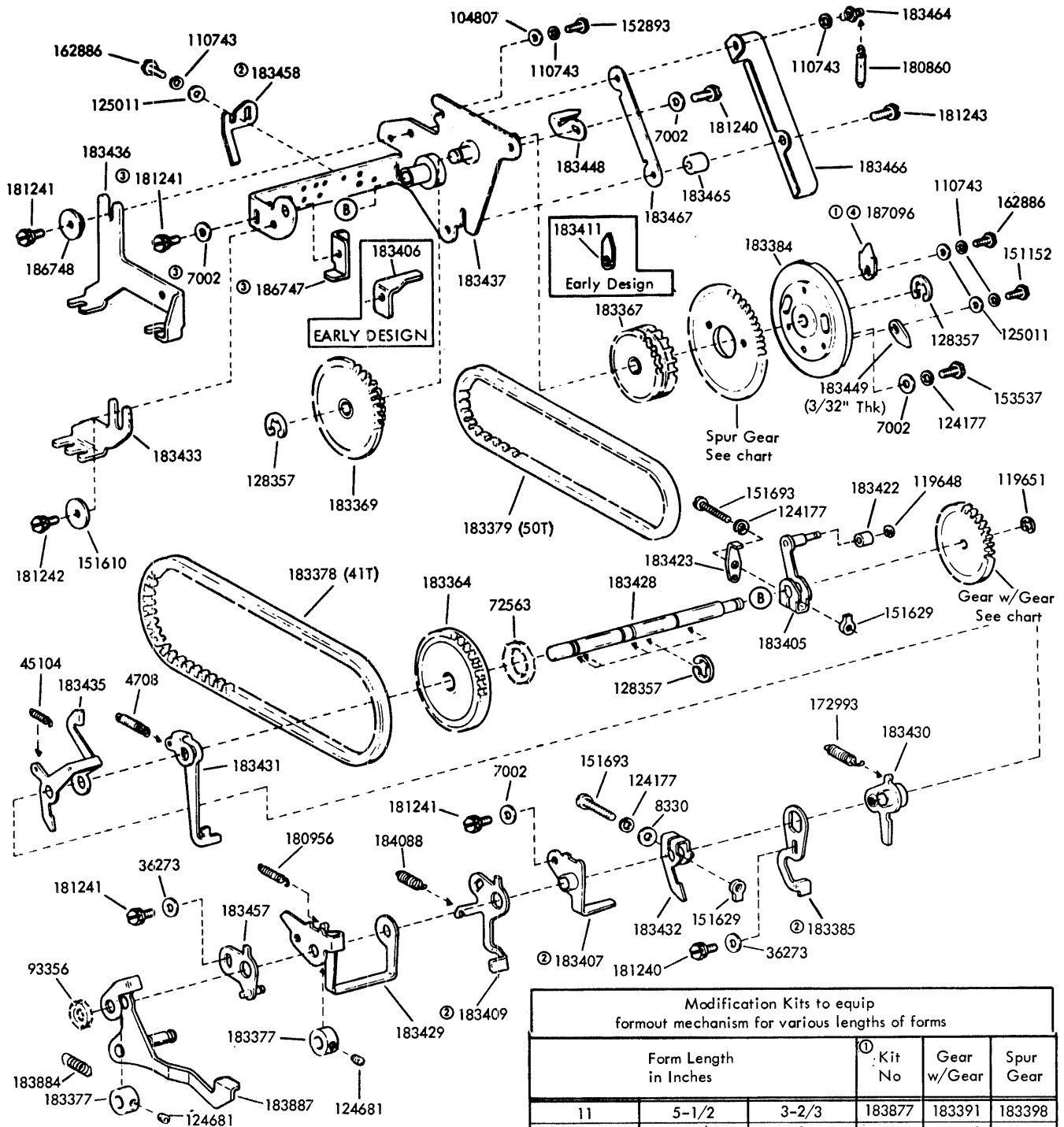


FIGURE 28. 185791 MODIFICATION KIT TO PROVIDE CONTROLLED SINGLE OR DOUBLE LINE FEED FEATURE ON FRICTION FEED PRINTER

| TYPEWHEEL | PART NO. | POSITION | CHARACTER | | | | | | | | | | | | | | | | | | | | | | | | | |
|-----------|----------|----------|-----------|---|---|---|---|---|---|---|---|---|---|---|---|---|---|---|---|---|---|---|---|---|---|---|---|---|
| | | | A | B | C | D | E | F | G | H | I | J | K | L | M | N | O | P | Q | R | S | T | U | V | W | X | Y | Z |
| MA | 180598 | UNSHIFT | | | | | | | | | | | | | | | | | | | | | | | | | | |
| | | SHIFT | | | | | | | | | | | | | | | | | | | | | | | | | | |
| MB | 182280 | UNSHIFT | | | | | | | | | | | | | | | | | | | | | | | | | | |
| | | SHIFT | | | | | | | | | | | | | | | | | | | | | | | | | | |
| MC | 182293 | UNSHIFT | | | | | | | | | | | | | | | | | | | | | | | | | | |
| | | SHIFT | | | | | | | | | | | | | | | | | | | | | | | | | | |
| MD | 183588 | UNSHIFT | | | | | | | | | | | | | | | | | | | | | | | | | | |
| | | SHIFT | | | | | | | | | | | | | | | | | | | | | | | | | | |
| ME | 183599 | UNSHIFT | | | | | | | | | | | | | | | | | | | | | | | | | | |
| | | SHIFT | | | | | | | | | | | | | | | | | | | | | | | | | | |
| MF | 183722 | UNSHIFT | | | | | | | | | | | | | | | | | | | | | | | | | | |
| | | SHIFT | | | | | | | | | | | | | | | | | | | | | | | | | | |
| MG | 184685 | UNSHIFT | | | | | | | | | | | | | | | | | | | | | | | | | | |
| | | SHIFT | | | | | | | | | | | | | | | | | | | | | | | | | | |
| MH | 184686 | UNSHIFT | | | | | | | | | | | | | | | | | | | | | | | | | | |
| | | SHIFT | | | | | | | | | | | | | | | | | | | | | | | | | | |
| MJ | 184688 | UNSHIFT | | | | | | | | | | | | | | | | | | | | | | | | | | |
| | | SHIFT | | | | | | | | | | | | | | | | | | | | | | | | | | |
| MK | 184689 | UNSHIFT | | | | | | | | | | | | | | | | | | | | | | | | | | |
| | | SHIFT | | | | | | | | | | | | | | | | | | | | | | | | | | |
| ML | 184690 | UNSHIFT | | | | | | | | | | | | | | | | | | | | | | | | | | |
| | | SHIFT | | | | | | | | | | | | | | | | | | | | | | | | | | |
| MN | 184691 | UNSHIFT | | | | | | | | | | | | | | | | | | | | | | | | | | |
| | | SHIFT | | | | | | | | | | | | | | | | | | | | | | | | | | |
| MP | 184693 | UNSHIFT | | | | | | | | | | | | | | | | | | | | | | | | | | |
| | | SHIFT | | | | | | | | | | | | | | | | | | | | | | | | | | |
| MR | 184695 | UNSHIFT | | | | | | | | | | | | | | | | | | | | | | | | | | |
| | | SHIFT | | | | | | | | | | | | | | | | | | | | | | | | | | |
| MS | 184950 | UNSHIFT | | | | | | | | | | | | | | | | | | | | | | | | | | |
| | | SHIFT | | | | | | | | | | | | | | | | | | | | | | | | | | |
| MT | 184694 | UNSHIFT | | | | | | | | | | | | | | | | | | | | | | | | | | |
| | | SHIFT | | | | | | | | | | | | | | | | | | | | | | | | | | |
| MU | 184692 | UNSHIFT | | | | | | | | | | | | | | | | | | | | | | | | | | |
| | | SHIFT | | | | | | | | | | | | | | | | | | | | | | | | | | |
| MV | 184696 | UNSHIFT | | | | | | | | | | | | | | | | | | | | | | | | | | |
| | | SHIFT | | | | | | | | | | | | | | | | | | | | | | | | | | |
| MW | 184697 | UNSHIFT | | | | | | | | | | | | | | | | | | | | | | | | | | |
| | | SHIFT | | | | | | | | | | | | | | | | | | | | | | | | | | |
| MY | 184698 | UNSHIFT | | | | | | | | | | | | | | | | | | | | | | | | | | |
| | | SHIFT | | | | | | | | | | | | | | | | | | | | | | | | | | |
| MZ | 184951 | UNSHIFT | | | | | | | | | | | | | | | | | | | | | | | | | | |
| | | SHIFT | | | | | | | | | | | | | | | | | | | | | | | | | | |
| NA | 184952 | UNSHIFT | | | | | | | | | | | | | | | | | | | | | | | | | | |
| | | SHIFT | | | | | | | | | | | | | | | | | | | | | | | | | | |
| NB | 184953 | UNSHIFT | | | | | | | | | | | | | | | | | | | | | | | | | | |
| | | SHIFT | | | | | | | | | | | | | | | | | | | | | | | | | | |

FIGURE 29. TYPEWHEEL CHART



① The required number of 183411 Early Design and 187069 Late Design Cam Plates and mounting hardware are furnished with each kit Specification 504105

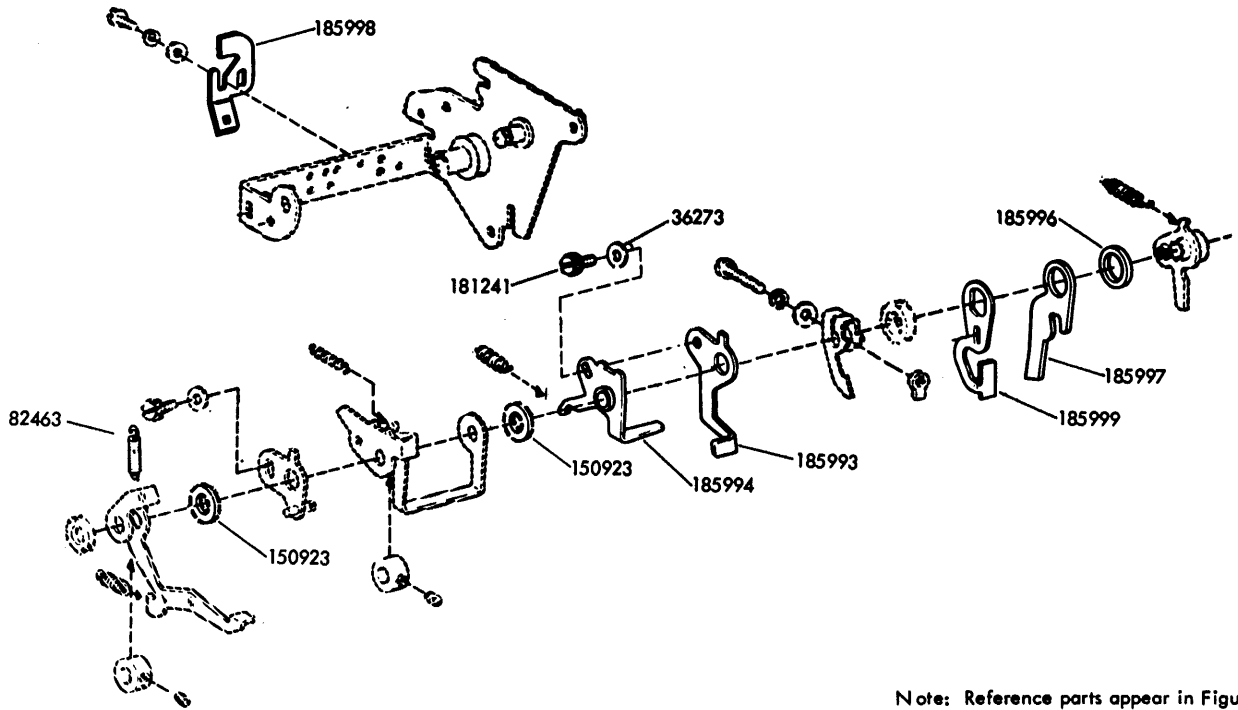
② Early design parts. See Figure 33 for Late Design.

③ Downstop bracket, flat washer and mounting screw sealed in place at Factory. Not for field installation.

④ Refer to Note ④ Figure 3.

| Modification Kits to equip formout mechanism for various lengths of forms | | | | | |
|---|-------|-------|----------|-------------|-----------|
| Form Length in Inches | | | ① Kit No | Gear w/Gear | Spur Gear |
| 11 | 5-1/2 | 3-2/3 | 183877 | 183391 | 183398 |
| 9 | 4-1/2 | 3 | 183878 | 183392 | 183399 |
| 7 | 3-1/2 | 2-1/3 | 183879 | 183393 | 183400 |
| 8 | 4 | 2-2/3 | 183880 | 183394 | 183401 |
| 8 1/2 | | 2-5/6 | 183881 | 183395 | 183402 |
| 10 | 5 | 3-1/3 | 183882 | 183396 | 183403 |
| 6 | | | 183883 | 183397 | 183404 |

FIGURE 32. FORMOUT MECHANISM - SPROCKET FEED



Note: Reference parts appear in Figure 32

FIGURE 33. LATER DESIGN FORMOUT MECHANISM - SPROCKET FEED

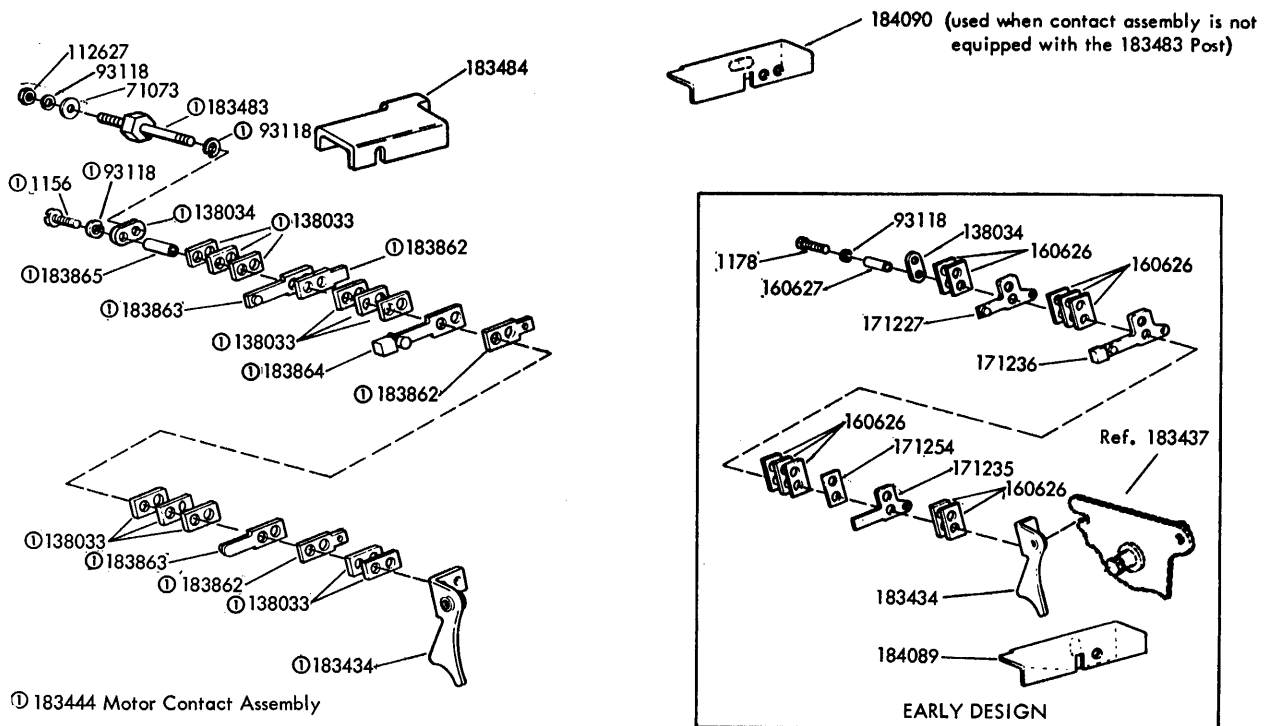


FIGURE 34. FORMOUT CONTACT - SPROCKET FEED

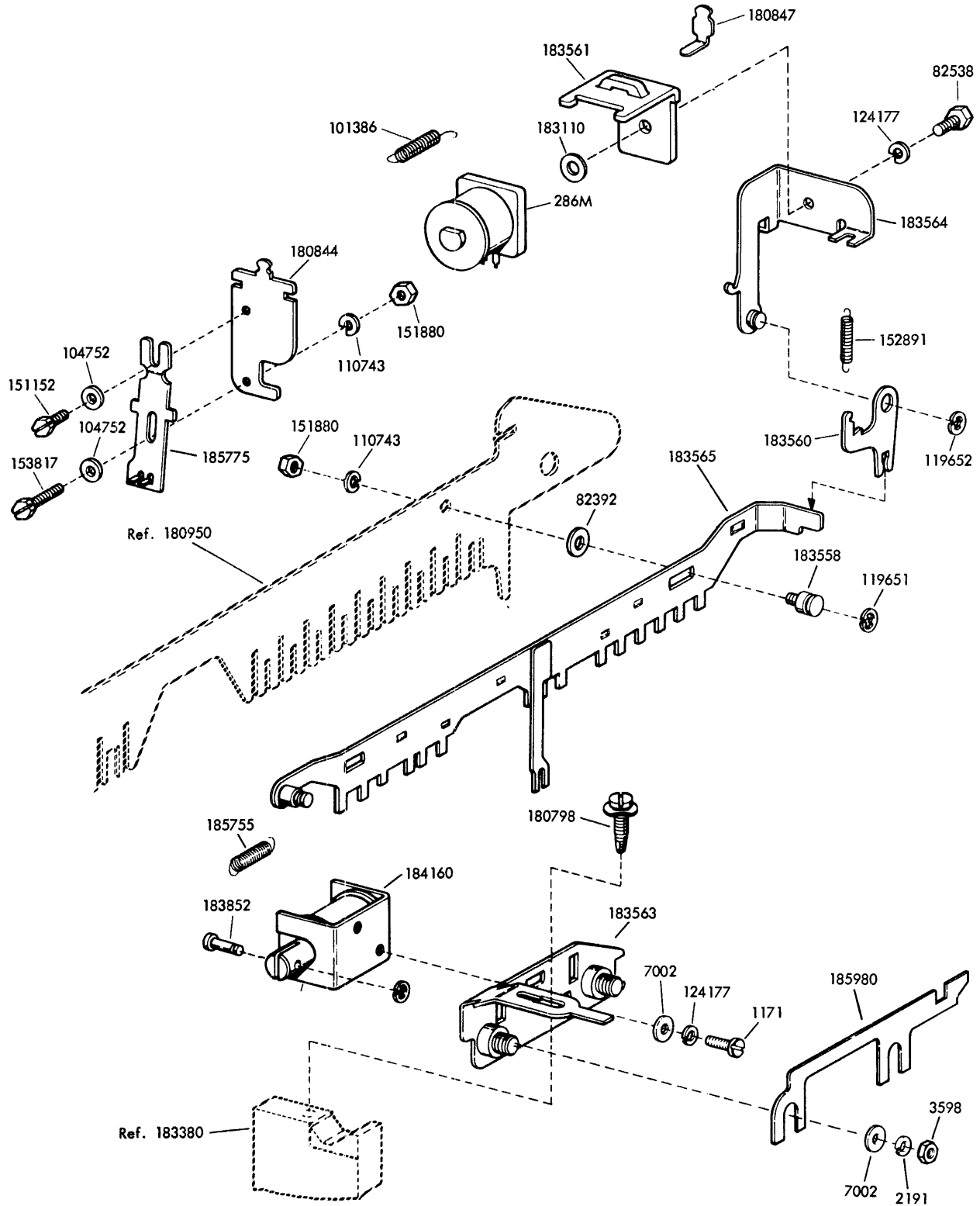


FIGURE 35. SOLENOID PRINT-NONPRINT RESET MECHANISMS

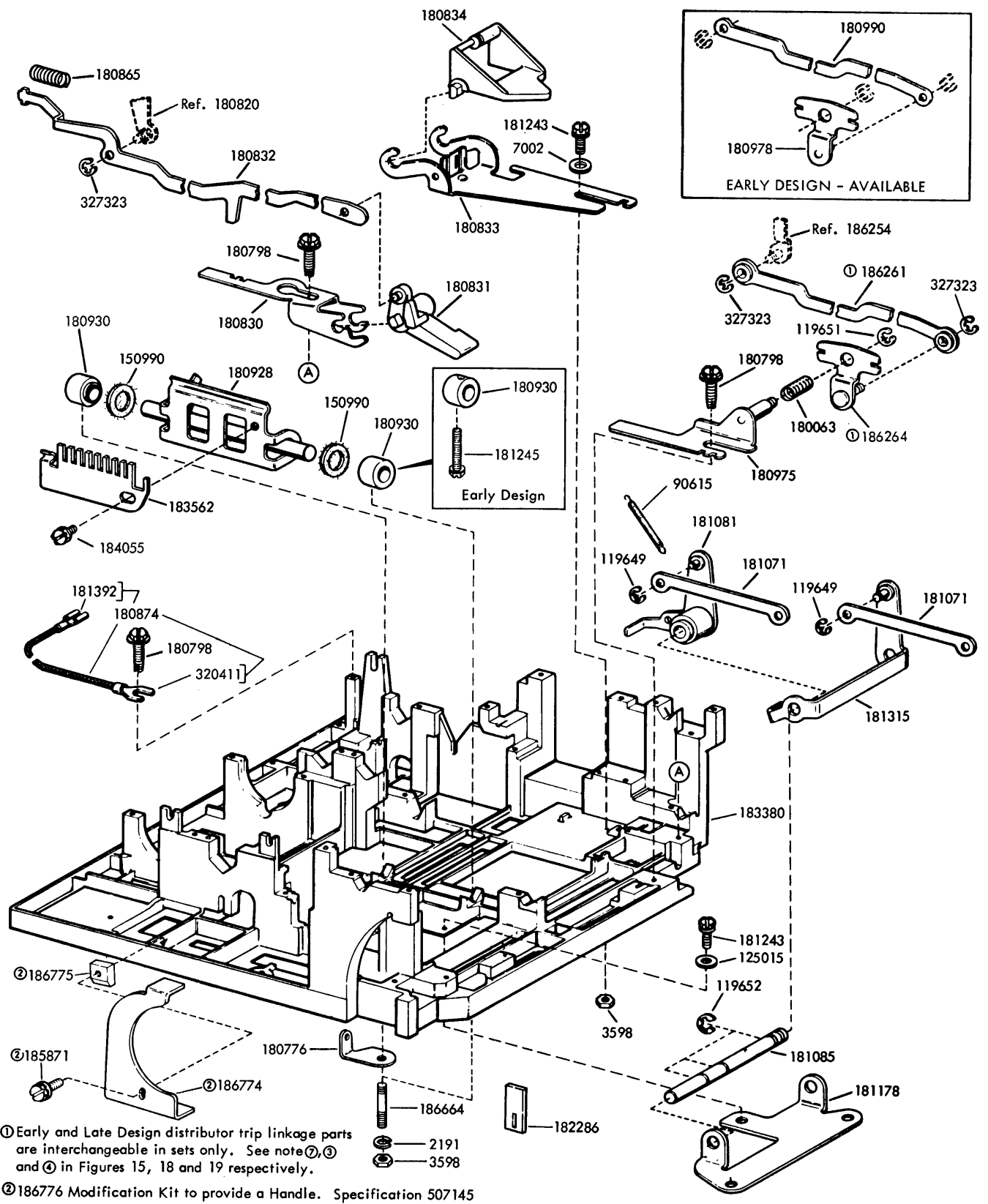


FIGURE 36. BASE

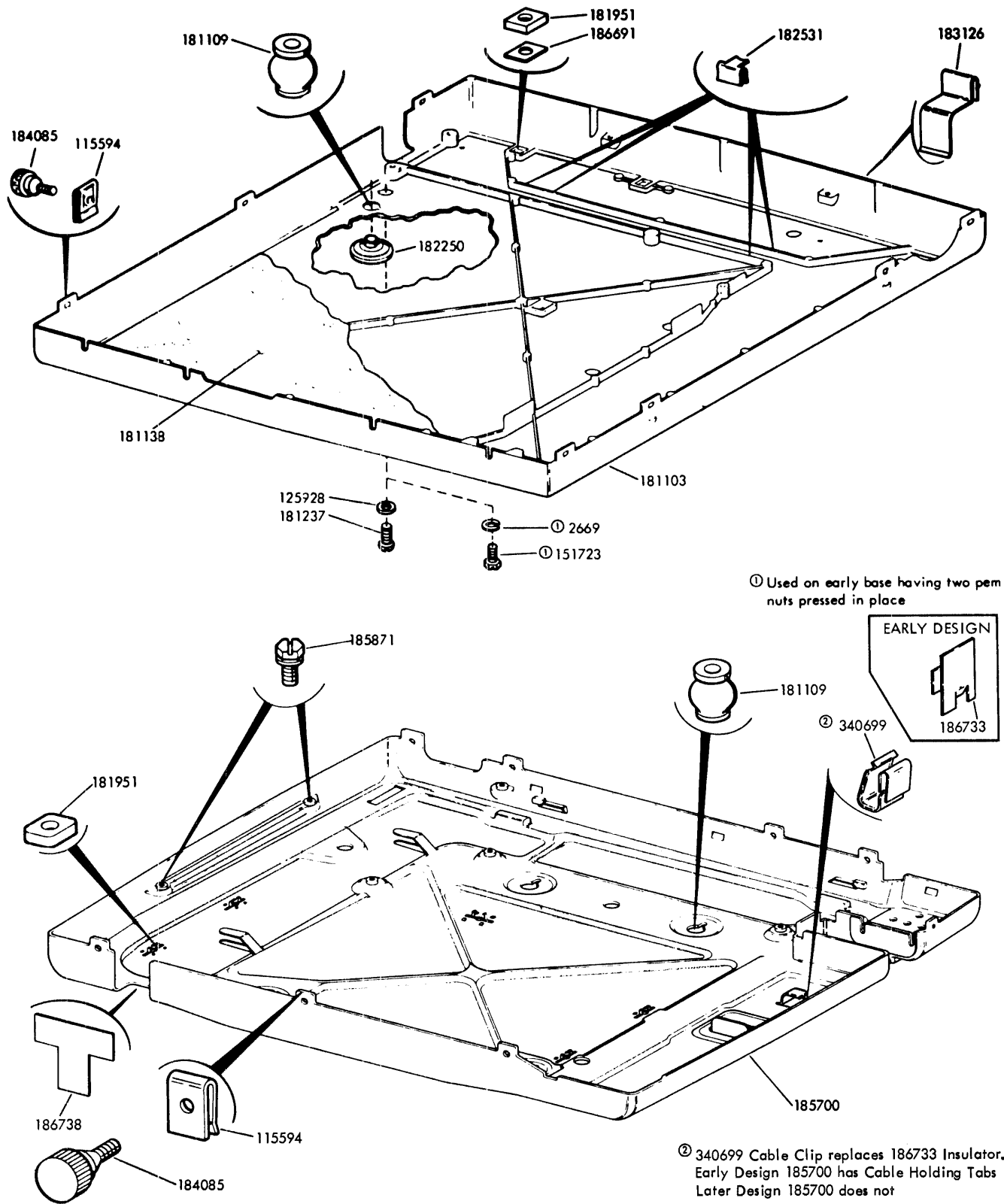
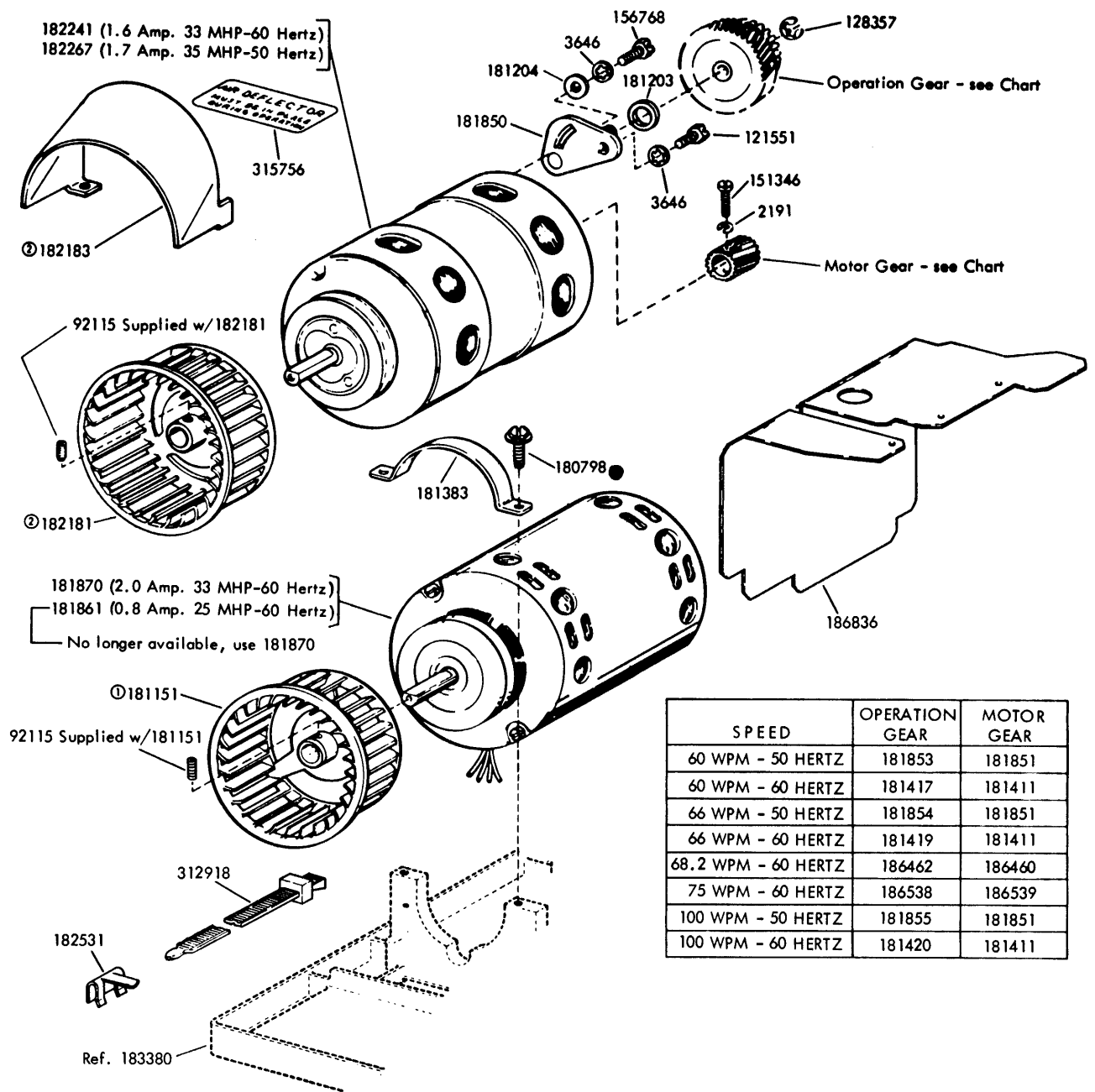


FIGURE 37. SUB BASES



| SPEED | OPERATION GEAR | MOTOR GEAR |
|---------------------|----------------|------------|
| 60 WPM - 50 HERTZ | 181853 | 181851 |
| 60 WPM - 60 HERTZ | 181417 | 181411 |
| 66 WPM - 50 HERTZ | 181854 | 181851 |
| 66 WPM - 60 HERTZ | 181419 | 181411 |
| 68.2 WPM - 60 HERTZ | 186462 | 186460 |
| 75 WPM - 60 HERTZ | 186538 | 186539 |
| 100 WPM - 50 HERTZ | 181855 | 181851 |
| 100 WPM - 60 HERTZ | 181420 | 181411 |

① The 181151 Fan (2-1/2" Dia.) is used with the 181870 and 182241 Motors.

② The 182181 Fan (3" Dia.), and the 182183 Air Deflector are used with the 182267 Motor.

FIGURE 38. MOTORS

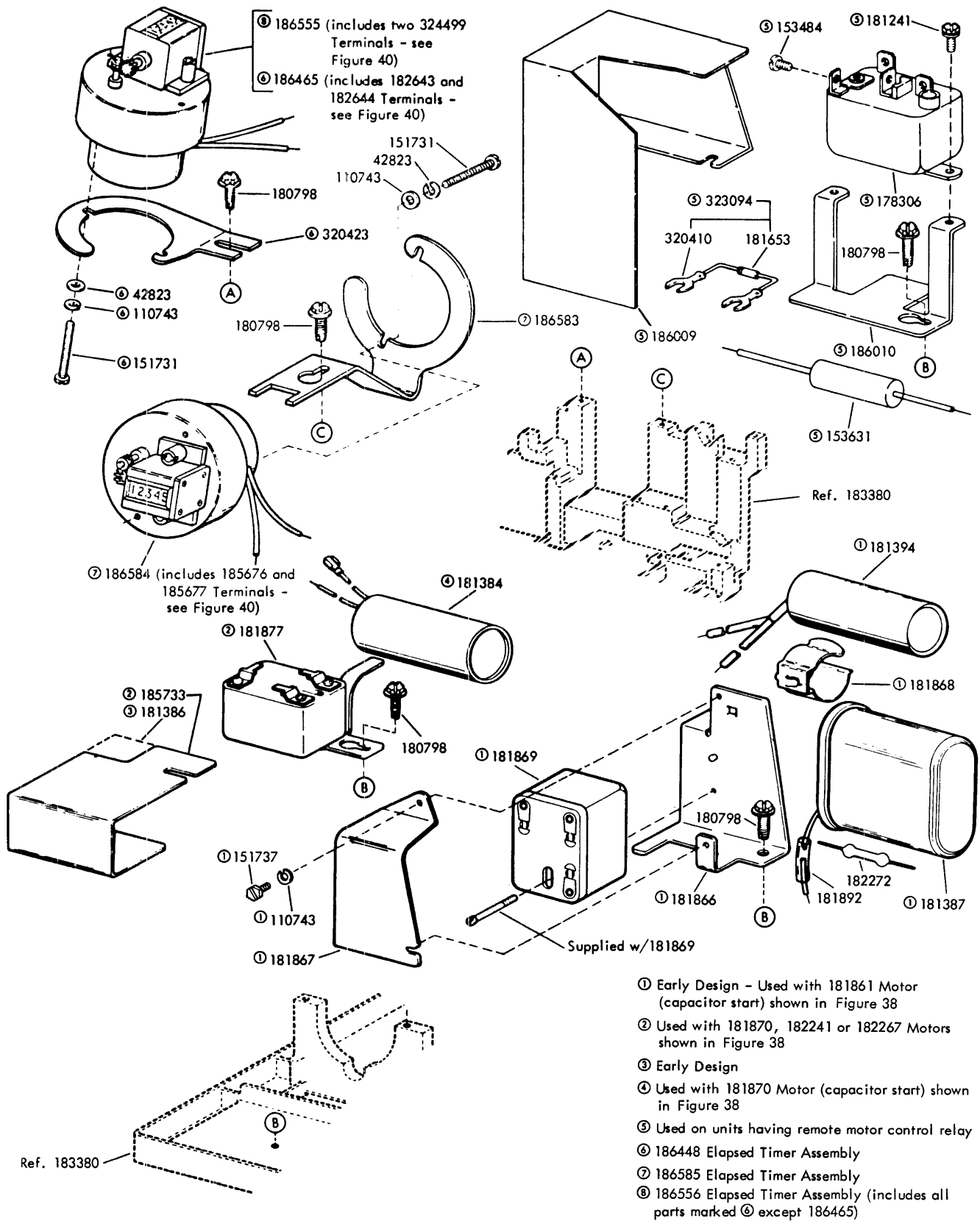


FIGURE 39. ELECTRICAL COMPONENTS

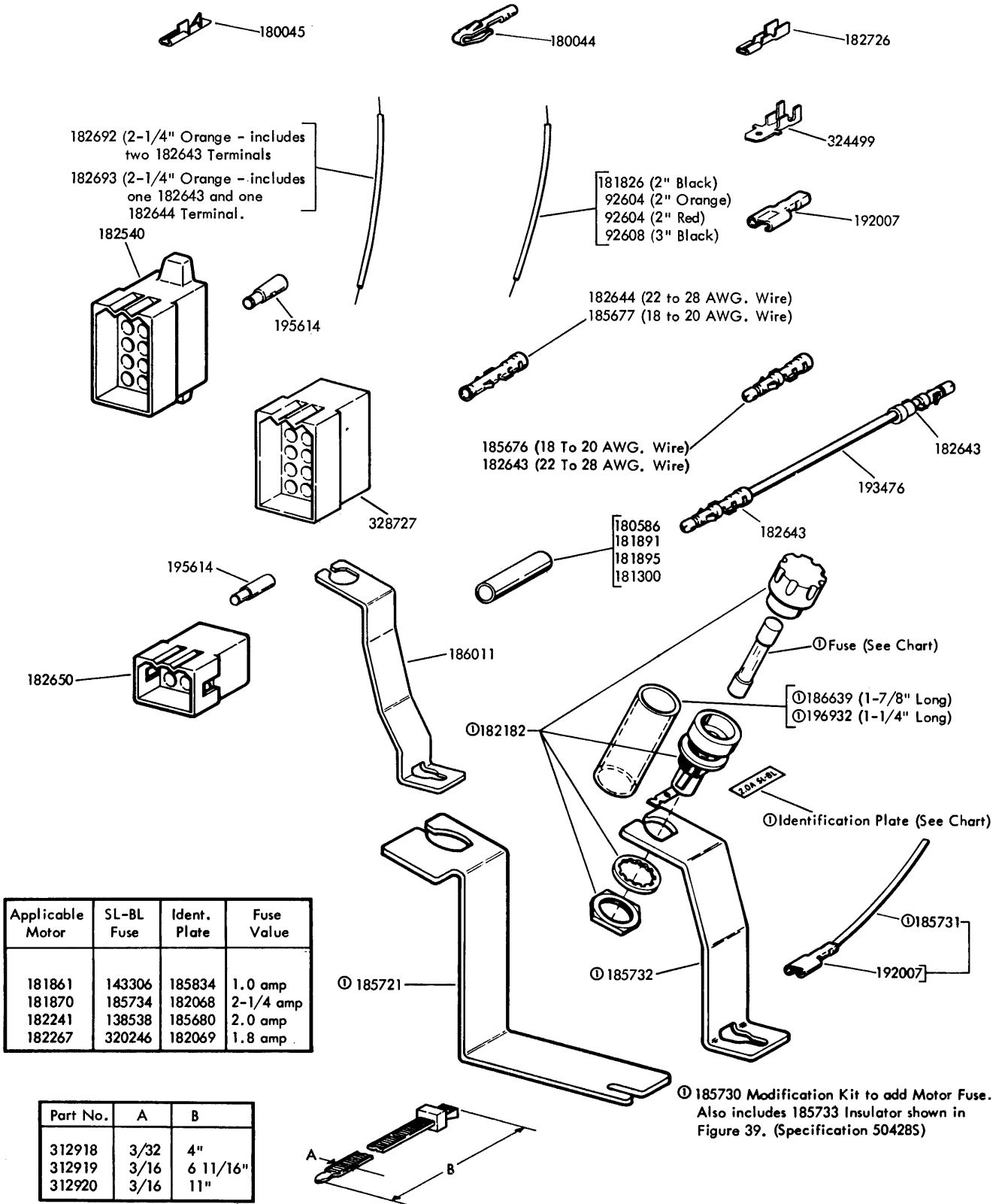


FIGURE 40. CABLE COMPONENTS

NUMERICAL INDEX

| Part Number | Description and Page Number | Part Number | Description and Page Number | Part Number | Description and Page Number |
|-------------|---|-------------|---------------------------------|-------------|--|
| 272M | Coil, Magnet 22 | 72468 | Spring 23 | 107116 | Lockwasher 6 |
| 276M | Coil, Magnet 21 | 72509 | Lockwasher 18 | 110435 | Nut, 4-40 Hex 26 |
| 279M | Coil, Magnet 21 | 72563 | Washer, Felt 30 | 110743 | Lockwasher 4,6,7,9,10,14, 15,17,20,21,22,23,30, 32,36 |
| 286M | Coil, Magnet 32 | 74547 | Collar 13 | 111410 | Washer, Flat 9,19 |
| 295M | Coil, Magnet 21 | 74700 | Spring 3,23 | 111640 | Screw, 2-56 x 7/32 Fil 3 |
| 300M | Coil, Magnet 21 | 74701 | Spring 10,12 | 112127 | Hinge 17 |
| 1156 | Screw, 2-56 x 9/16 Fil 31 | 74716 | Bushing, Insulating 17 | 112128 | Retainer 17 |
| 1164 | Screw, 2-56 x 3/16 Fil 5 | 74722 | Washer, Flat 4 | 112620 | Screw, 4-40 x 1/2 Hex 16 |
| 1171 | Screw, 6-32 x 3/16 Fil 32 | 76422 | Spring 13,20,22 | 112626 | Nut, 10-32 Hex 6 |
| 1178 | Screw, 2-56 x 7/16 Fil 31 | 76461 | Washer, Flat 21,26 | 112627 | Nut, 2-56 Hex 31 |
| 1210 | Screw, 2-56 x 5/8 Fil 5 | 78103 | Screw, 6-40 x 1-3/16 Hex 21 | 112630 | Spring 3 |
| 2034 | Washer, Flat 6,10,20,23 | 80945 | Spring 13 | 112634 | Spring 6 |
| 2167 | Ball, Bearing 9 | 81726 | Terminal 17 | 113384 | Plate 17 |
| 2191 | Lockwasher 2,4,5,7,9,11, 12,16,19,22,32,33,35 | 81731 | Spring 8,20 | 114107 | Spring 10 |
| 2669 | Lockwasher 6,34 | 82392 | Shim, .004" Thk 14,32 | 115594 | Nut, Speed 34 |
| 3598 | Nut, 6-40 Hex 2,4,6,7,8, 9,10,14,16,17,18,19,20, 21,22,26,32,33 | 82463 | Spring 31 | 119421 | Washer, Flat 2,5 |
| 3599 | Nut, 4-40 Hex 4,6,7,9,15, 20,26 | 82532 | Screw, 6-40 Shoulder 26 | 119648 | Ring, Retaining 8,10,19, 22,30 |
| 3606 | Nut, 6-40 Hex 8,19 | 82538 | Screw, 6-40 x 5/16 Hex 21,32 | 119649 | Ring, Retaining 3,4,7,8, 9,10,13,15,16,17,26,33 |
| 3608 | Spring 6 | 82547 | Insulator, .094" Thk 17 | 119650 | Ring, Retaining 3 |
| 3640 | Lockwasher 17 | 82548 | Insulator, .062" Thk 17 | 119651 | Ring, Retaining 2,3,4,6, 7,8,10,11,12,14,23,30,32, 33 |
| 3646 | Lockwasher 35 | 83877 | Spring 10,17 | 119652 | Ring, Retaining 4,8,10, 26,32,33 |
| 3864 | Spring 21 | 84226 | Spring 3,20 | 119653 | Ring, Retaining 6,19,20 |
| 4703 | Spring 10 | 84575 | Spring 3,8,10,14 | 119654 | Ring, Retaining 6,20 |
| 4708 | Spring 30 | 86283 | Spring 15 | 120595 | Follower, Cam 17 |
| 5599 | Nut, 8-32 Hex 21 | 87398 | Washer, Flat 4 | 121018 | Nut, 4-40 Hex 9 |
| 7001 | Washer, Flat 19 | 87402 | Spring 21 | 121100 | Spring 17 |
| 7002 | Washer, Flat 2,3,4,5,6,7, 8,9,10,13,15,17,18,19, 20,22,30,32,33 | 90096 | Washer, Insulating 19 | 121551 | Screw, 8-32 x 1/4 Hex 35 |
| 7655 | Spring 23 | 90361 | Washer, Felt 23 | 121630 | Washer, Flat 21 |
| 8330 | Washer, Flat 13,30 | 90432 | Washer, Flat 10 | 121923 | Spring 26 |
| 22746 | Spring 14 | 90615 | Spring 3,33 | 124177 | Lockwasher 2,3,4,7,8,9, 10,14,15,16,17,18,19,20, 21,26,30,32 |
| 31636 | Spring 5,20 | 90790 | Washer, Flat 10,15,16,26 | 124612 | Screw, 8-32 x 1/2 Hex 2 |
| 33765 | Washer, Flat 3 | 91120 | Spring 3 | 124681 | Setscrew, 6-40 6,12,13,16, 30 |
| 36273 | Washer, Flat 12,23,30,31 | 92115 | Setscrew, 8-32 35 | 125011 | Washer, Flat 15,17,30 |
| 41732 | Plate, Clamp 21 | 92527 | Lockwasher 21 | 125015 | Washer, Flat 14,16,17,18, 33 |
| 42661 | Spring 10 | 92604 | Jumper, 2" Lg 37 | 125112 | Screw, 2-56 x 1/8 Fil 17 |
| 42823 | Washer, Flat 36 | 92608 | Jumper, 3" Lg 37 | 125181 | Screw, 2-56 x 3/8 Fil 16 |
| 44048 | Washer, Flat 16,20 | 93117 | Lockwasher 3,5,16 | 125206 | Screw, 6-32 x 5/8 Fil 11 |
| 45027 | Spring 8 | 93118 | Lockwasher 5,17,31 | 125252 | Spring 15 |
| 45104 | Spring 30 | 93356 | Washer, Felt 30 | 125802 | Washer, Flat 15 |
| 49054 | Screw, 2-56 x 3/16 Flat 6 | 93984 | Lockwasher 19 | | |
| 49420 | Spring 15 | 93985 | Lockwasher 2,5,16 | | |
| 70388 | Spring 10 | 98718 | Washer, Flat 19 | | |
| 71073 | Washer, Flat 5,16,17,31 | 100759 | Screw, 4-40 x 3/16 Flat 11 | | |
| 71681 | Spool, Ribbon 6 | 101386 | Spring 4,17,21,22,23,24, 32 | | |
| | | 104752 | Washer, Flat 21,22,32 | | |
| | | 104807 | Washer, Flat 7,21,30 | | |

NUMERICAL INDEX (Continued)

| Part Number | Description and Page Number | Part Number | Description and Page Number | Part Number | Description and Page Number |
|-------------|--|-------------|---|-------------|-----------------------------------|
| 125928 | Washer, Flat 34 | 152890 | Washer, Flat 21 | 180464 | Pulley, Carriage Return Spring 10 |
| 128357 | Ring, Retaining 21,30,35 | 152891 | Spring 32 | 180466 | Ring, Retaining 9 |
| 138033 | Insulator, .031" Thk 5, 31 | 152893 | Screw, 4-40 x 1/4 Hex 7, 15,17,21,23,30 | 180467 | Bearing, Ball 9 |
| 138034 | Plate, Clamp 5,31 | 153267 | Washer, Felt 6 | 180468 | Bearing, Ball 9 |
| 138538 | Fuse, SL-BL 2 Amp 37 | 153484 | Screw, 6-32 Spl 36 | 180469 | Link 8,9 |
| 143306 | Fuse, SL-BL 1 Amp 37 | 153537 | Screw, 6-40 x 9/32 Hex 30 | 180470 | Roller 8 |
| 145887 | Spring, Contact 17 | 153631 | Network, Spark Suppression 36 | 180471 | Block 9 |
| 150026 | Lever, Shoe Release 11,12 | 153799 | Screw, 4-40 x 21/64 Hex 6,15 | 180473 | Shaft 9 |
| 150029 | Wick, Felt 11,12,18,19 | 153817 | Screw, 4-40 x 3/8 Hex 4, 6,21,22,32 | 180474 | Stud 9 |
| 150040 | Screw, 6-40 x 5/8 Fil 13, 18 | 155750 | Sleeve, 3/32 ID x 1/2" Lg, Insulating 21,22 | 180475 | Bushing 9 |
| 150043 | Shoe, Secondary Clutch 11,12,18,19 | 156169 | Washer, Felt 21 | 180476 | Screw, 6-40 Spl 8 |
| 150044 | Shoe, Primary Clutch 11,12,18,19 | 156509 | Washer, Flat 10 | 180477 | Bracket 8 |
| 150241 | Spring 11,12,18,19 | 156536 | Screw, 4-40 x 1/8 Fil 9 | 180478 | Guide, Nylon 8 |
| 150830 | Bushing, Shoulder 12 | 156558 | Washer, Felt 10 | 180479 | Bracket 8,26 |
| 150841 | Bearing 12 | 156572 | Washer, Felt 9 | 180480 | Arm w/Stud 9 |
| 150923 | Washer, Felt 31 | 156768 | Screw, 8-32 x 9/32 Hex 35 | 180482 | Arm w/Shaft 7 |
| 150930 | Washer, Felt 11,12,16 | 157899 | Arm, NC Contact 15 | 180483 | Arm, Stop 8 |
| 150990 | Washer, Felt 33 | 158186 | Screw, 4-40 x 7/32 Fil 4 | 180484 | Arm, Stop 8 |
| 151152 | Screw, 4-40 x 3/16 Hex 7, 9,10,21,22,30,32 | 158189 | Washer, Felt 10 | 180485 | Arm w/Spring 9 |
| 151346 | Screw, 6-40 x 3/8 Fil 35 | 158772 | Screw, 4-40 x 5/8 Hex 21 | 180486 | Link 8 |
| 151397 | Spring 17 | 160455 | Spring 22 | 180487 | Stud 9 |
| 151413 | Washer, Flat 10 | 160626 | Insulator .031" Thk 31 | 180488 | Shaft 7 |
| 151603 | Spacer 17 | 160627 | Bushing, Insulating 31 | 180489 | Lever w/Pin 6 |
| 151610 | Washer, Flat 19,30 | 161100 | Spring, Contact 17 | 180491 | Shaft 9 |
| 151618 | Screw, 6-40 x 7/16 Fil 11,12 | 161346 | Washer, Felt 10 | 180492 | Arm 8 |
| 151629 | Nut, 6-40 Lug 6,13,30 | 161347 | Washer, Felt 16 | 180493 | Lever, Trip 8 |
| 151630 | Screw, 6-40 x 1/4 Hex 9, 17,20,26 | 162573 | Retainer 12 | 180495 | Link, Ribbon 7 |
| 151631 | Screw, 6-40 x 5/16 Hex 3, 16 | 162881 | Plate 17 | 180496 | Arm, Stop 8 |
| 151640 | Lever, Shoe Release 19 | 162886 | Screw, 4-40 x 7/32 Hex 30 | 180497 | Spring, Print Hammer 7 |
| 151693 | Screw, 6-40 x 9/16 Fil 7, 30 | 164958 | Screw, 4-40 x 1/2 Hex 19 | 180498 | Bracket 6 |
| 151722 | Screw, 6-40 x 3/16 Hex 2,4,5 | 171227 | Spring, Contact 31 | 180500 | Frame 6,7,8,9 |
| 151723 | Screw, 10-32 x 3/8 Hex 34 | 171235 | Spring, Contact 31 | 180501 | Arm w/Stud 7,8 |
| 151731 | Screw, 4-40 x 7/8 Fil 15,36 | 171236 | Spring, Contact 31 | 180502 | Head, Print Hammer 7 |
| 151737 | Screw, 4-40 x 11/64 Hex 6, 36 | 171254 | Insulator, .015" Thk 31 | 180503 | Shaft w/Spacer 7,9 |
| 151880 | Nut, 4-40 Hex 9,10,14,21, 22,32 | 171259 | Spring 22 | 180505 | Plate, Left Guide 7 |
| 152129 | Spring 22 | 172591 | Spring, Contact Arm 15 | 180506 | Plate, Right Guide 7 |
| 152425 | Post, Spring 17 | 172993 | Spring 30 | 180508 | Stud, Eccentric 8 |
| 152426 | Nut, 6-40 Self-Locking 17 | 173807 | Setscrew, 6-40 4 | 180509 | Slide, No. 3 Pulse 8 |
| 152441 | Washer, Flat 4 | 174034 | Screw, 4-40 x 13/16 Hex 17 | 180510 | Slide, Common 8 |
| | | 178306 | Relay, Power 36 | 180511 | Slide, No: 1 & No. 2 Pulse 8 |
| | | 180044 | Terminal, Tab Type 22,37 | 180512 | Slide w/Plates 8 |
| | | 180045 | Terminal, Tab Type 22,37 | 180513 | Slide, No. 5 Pulse 8 |
| | | 180063 | Spring, Compression 33 | 180514 | Slide, No. 4 Pulse 8 |
| | | 180463 | Post, Bail Pivot 10 | 180517 | Latchlever 8 |
| | | | | 180518 | Plate 7 |
| | | | | 180519 | Rack 7 |
| | | | | 180520 | Arm 8 |
| | | | | 180521 | Slide, Print Suppression 8 |

NUMERIAL INDEX (Continued)

| Part Number | Description and Page Number | Part Number | Description and Page Number | Part Number | Description and Page Number |
|-------------|--|-------------|-----------------------------|-------------|--|
| 180522 | Bushing 8 | 180642 | Pushbar 17 | 180755 | Hub 16 |
| 180526 | Bail w/Stud 9 | 180643 | Lever, Blocking 17 | 180761 | Ring, Retaining 16 |
| 180528 | Lever w/Hub 9 | 180644 | Lever, Blocking 17 | 180763 | Link 23 |
| 180534 | Plate, Guide 7 | 180645 | Lever, Selector 17 | 180767 | Ring, Retaining 13,15,23 |
| 180537 | Link 8 | 180646 | Lever, Shoe Release 18 | 180768 | Ring, Retaining 11,12 |
| 180538 | Shaft 8 | 180648 | Arm, Follower 13 | 180769 | Link, Left 23 |
| 180539 | Bail w/Stud 8 | 180649 | Spring 17 | 180770 | Link, Right 23 |
| 180540 | Bail, Print Hammer 7,8 | 180654 | Knob, Range 18 | 180771 | Arm 15 |
| 180541 | Plate w/Posts 6,7 | 180655 | Plate, Side 17 | 180772 | Shaft 15 |
| 180543 | Base, Ribbon Unit 6 | 180657 | Bracket, Guide 17 | 180773 | Plate 15 |
| 180544 | Bail, Drive 10 | 180658 | Shaft, Guide 17 | 180774 | Arm, Eccentric Follower 11,12 |
| 180545 | Bracket 10 | 180661 | Bracket 18 | 180776 | Bracket 33 |
| 180546 | Post 10 | 180663 | Scale, Range 17 | 180777 | Arm, Drive 16 |
| 180547 | Stud, Eccentric 6 | 180667 | Plate w/Bushing 18 | 180778 | Plate 15 |
| 180548 | Plate 7 | 180668 | Follower, Cam 18 | 180779 | Bracket 15 |
| 180549 | Bracket 7 | 180669 | Lever, Spacing Lock 17 | 180780 | Blade 23 |
| 180552 | Post 7 | 180671 | Lever, Start 17 | 180781 | Hub 15,23 |
| 180553 | Spring 9 | 180672 | Bail 17 | 180782 | Shaft, Pivot 23 |
| 180554 | Bushing 7 | 180673 | Plate, Front 17,18 | 180783 | Casting, Function Box 15 |
| 180555 | Spring 7 | 180676 | Nut, No. 6 Speed 17,19 | 180788 | Plate, Rear Rail 15,26 |
| 180556 | Plate, Gauge 9 | 180677 | Arm, Trip 18 | 180789 | Roller 15 |
| 180557 | Lever w/Stud 8 | 180678 | Plate, Spring 17 | 180791 | Arm w/Stud 15 |
| 180558 | Collar 8 | 180682 | Upstop 10 | 180792 | Pawl, Function 15 |
| 180559 | Shaft 8 | 180684 | Latchlever 18 | 180793 | Lever 24 |
| 180562 | Link, Left Ribbon 7 | 180685 | Nut, 6-40 Spl 18 | 180794 | Lever, Line Feed 23 |
| 180563 | Stud, Eccentric 7 | 180688 | Core, Magnet 17 | 180795 | Bracket, Spring 23 |
| 180564 | Bracket, Lock 7 | 180691 | Plate 17 | 180796 | Clamp 15 |
| 180566 | Hub w/Pinion 9 | 180692 | Spring, Flat 17 | 180797 | Clamp 10,16,23 |
| 180568 | Bracket, Guide 7 | 180704 | Armature 17 | 180798 | Screw, 8-32 Self-Tapping 2,5,6,10,11,12,13,14,15,16,19,20,23,32,33,35,36 |
| 180569 | Spring, Compression 7 | 180710 | Plate w/Post 17 | 180801 | Lever w/Bracket 25 |
| 180571 | Plate 9 | 180715 | Coil, Magnet 17 | 180806 | Camsleeve 11 |
| 180574 | Stud, Eccentric 9 | 180717 | Spring 17 | 180807 | Camsleeve 11,12 |
| 180575 | Bearing, Ball 9,16 | 180718 | Spring 18 | 180808 | Spacer, .050" Thk 11 |
| 180576 | Bearing, Ball 9 | 180719 | Spring 17 | 180809 | Arm 16 |
| 180578 | Bracket w/Post 10 | 180721 | Wick, Felt 17 | 180813 | Pawl, Function 15 |
| 180579 | Bracket w/Hub 9 | 180722 | Washer, Flat 17 | 180818 | Lever, Function 24 |
| 180580 | Lever w/Stud 8,9 | 180728 | Spring 17 | 180820 | Lever, Control 20,33 |
| 180581 | Roller, Typewheel 7 | 180740 | Bail 15 | 180821 | Lever w/Stud 20 |
| 180584 | Lever 9 | 180741 | Shaft, Function 16,21 | 180823 | Block, Contact 22 |
| 180585 | Spring 8 | 180742 | Roller 16 | 180824 | Contact, Common 22 |
| 180586 | Sleeve, 5/32 ID x 21/32 Lg Insulating 8,37 | 180743 | Bearing, Right 16 | 180826 | Lever, Detent 22 |
| 180591 | Spring 7 | 180744 | Collar 6,16 | 180827 | Drum, Answer Back 22 |
| 180595 | Setscrew, 4-40 8 | 180745 | Arm w/Stud 16 | 180828 | Pawl, Feed 20 |
| 180598 | Typewheel, MA 27 | 180746 | Arm w/Bushing 11,12,16 | 180829 | Screw, 4-40 Shoulder 20 |
| 180606 | Bail 9 | 180748 | Arm w/Stud 16 | 180830 | Bracket 33 |
| 180607 | Arm, Adjusting 9 | 180749 | Arm w/Stud 16 | 180831 | Lever 33 |
| 180608 | Bracket, Left 2,5 | 180750 | Arm w/Stud 16 | 180832 | Link, Tie 33 |
| 180610 | Shield 7 | 180751 | Arm w/Stud 16 | | |
| 180641 | Camsleeve 18 | 180752 | Lever, Function 16 | | |
| | | 180754 | Hub 16 | | |

NUMERICAL INDEX (Continued)

| Part Number | Description and Page Number | Part Number | Description and Page Number | Part Number | Description and Page Number |
|-------------|--------------------------------|-------------|-----------------------------|-------------|-------------------------------|
| 180833 | Bracket, Adjusting 33 | 180970 | Bearing 19 | 181037 | Bracket, Right 2 |
| 180834 | Bail, Trip 33 | 180971 | Shaft, Trip 20,22 | 181038 | Bracket, Left 2,5,9 |
| 180835 | Pawl, AB Blocking 15 | 180972 | Clamp, Buffer 20 | 181039 | Knob, Platen 2 |
| 180836 | Lever, Blocking Function 24 | 180973 | Disc, Spacer 19 | 181040 | Pawl, Detent 2,4 |
| 180837 | Link, Blocking 20 | 180975 | Bracket w/Stud 33 | 181041 | Retainer 2,4 |
| 180838 | Lever, Function 24 | 180978 | Lever w/Stud 33 | 181042 | Tip, Rubber 3,26 |
| 180842 | Spacer, .050" Thk 22 | 180979 | Brush, Carbon 19 | 181044 | Roller, Pressure 3 |
| 180843 | Lever, Trip 20,22 | 180980 | Holder, Brush 19 | 181045 | Post, Support 2,5,21 |
| 180844 | Armature 21,22,32 | 180981 | Arm, Stop 20 | 181048 | Bracket, Stop 2 |
| 180847 | Bracket, Spring 21,22,32 | 180982 | Bail, Trip 20 | 181049 | Arm, Right 3 |
| 180850 | Bracket, Magnet 19,21,22 | 180983 | Lever, Latch 20 | 181050 | Arm, Left 3 |
| 180854 | Brace 22 | 180985 | Lever, Follower 20 | 181051 | Bracket, Left 3 |
| 180855 | Latch, Blocking 22 | 180987 | Disc 19,22 | 181052 | Plate 2,26 |
| 180858 | Contact, Wire 22 | 180988 | Bracket, Spring 20 | 181053 | Bail, Paper Straightener 3 |
| 180860 | Spring 16,20,30 | 180989 | Screw, No.6 Spl 19,22 | 181054 | Shaft, Pressure 3 |
| 180861 | Spring 20 | 180990 | Link Keyboard 33 | 181055 | Bar 2,3 |
| 180862 | Spring 22 | 180991 | Cam, Blocking 19 | 181056 | Guideplate, Pressure Roller 3 |
| 180863 | Spring 15,20 | 180992 | Spring, Torsion 19 | 181057 | Bracket, Right 3 |
| 180864 | Spring, Extension 20 | 180994 | Spacer, .015" Thk 19 | 181058 | Guideplate, Paper 3 |
| 180865 | Coil, Adjusting 33 | 180995 | Spacer, .114" Thk 19,21, 22 | 181062 | Eccentric, Toggle Link 10 |
| 180874 | Strap, 4-1/2" Braided 33 | 180997 | Disc w/Plate 19 | 181065 | Pawl, Check 10 |
| 180922 | Spring 14 | 180998 | Clamp 16,19 | 181066 | Shaft, Spacing Drum 6 |
| 180923 | Bracket w/Studs 14 | 180999 | Bearing, Left 16 | 181067 | Pawl, Feed 10 |
| 180925 | Clamp 14 | 181000 | Drum, Clutch 11,12,18 | 181068 | Lever w/Post 10 |
| 180926 | Ring, Retaining 14 | 181001 | Bearing 11,12 | 181069 | Drum, Spacing 6 |
| 180927 | Ring, Retaining 13 | 181002 | Bearing 11,12 | 181070 | Lever, Suppression 10 |
| 180928 | Bail 33 | 181003 | Latchlever, 13 | 181071 | Link 10,33 |
| 180930 | Bearing 33 | 181004 | Hub 13 | 181072 | Bracket w/Post 6 |
| 180932 | Codebar, No. 8-1 14 | 181005 | Link, Carriage 10,11 | 181074 | Pulley 6 |
| 180933 | Codebar, No. 8-2 14 | 181006 | Bushing 13 | 181075 | Belt, 127T 6 |
| 180934 | Codebar, No. 8-3 14 | 181007 | Shaft, Main 11,18 | 181076 | Roller 10 |
| 180935 | Codebar, No. 8-4 14 | 181008 | Collar 11,12 | 181077 | Ratchet, Spacing 6 |
| 180936 | Codebar, No. 8-5 14 | 181010 | Lever w/Stud 13 | 181078 | Stud 10 |
| 180937 | Codebar, No. 8-6 14 | 181011 | Lever w/Nut 13 | 181079 | Washer, Flat 6 |
| 180938 | Codebar, No. 7 14 | 181012 | Spacer 13 | 181081 | Arm w/Hub and Post 33 |
| 180939 | Codebar, No. 8 14 | 181013 | Spacer, .453" Thk 13 | 181082 | Eccentric, Toggle Link 10 |
| 180947 | Codebar, Spring Suppression 14 | 181014 | Grommet, Rubber 13 | 181083 | Lever 24 |
| 180948 | Codebar, Auto CR & EOL Bell 14 | 181015 | Gear, 35T 11,12 | 181084 | Bracket 6 |
| 180949 | Bracket, Rear Tie 14 | 181017 | Plate 13 | 181085 | Shaft 33 |
| 180950 | Bracket, Front Tie 14,32 | 181018 | Shaft 13 | 181086 | Lever w/Hub 10 |
| 180956 | Spring 4,14,30 | 181019 | Lever, Trip 13 | 181088 | Post 10 |
| 180957 | Bracket, Spring 14 | 181020 | Lever 13 | 181089 | Arm w/Hub 10 |
| 180958 | Nut, 6-40 Lug 17 | 181021 | Spacer, .406" Thk 13 | 181091 | Link w/Post, Toggle 10 |
| 180959 | Bracket 17 | 181022 | Bracket, Left 11,12,13 | 181092 | Bracket, Belt 6 |
| 180964 | Roller 19 | 181023 | Bracket, Right 13 | 181093 | Bracket, Extension 6 |
| 180967 | Shaft, Distributor 19 | 181028 | Camsleeve 11 | 181094 | Bracket w/Post 10 |
| 180968 | Buffer 20 | 181030 | Bracket w/Stud 2 | 181103 | Cover, Base 34 |
| | | 181034 | Platen 2 | 181104 | Clip, Cable 5,21 |

NUMERICAL INDEX (Continued)

| Part Number | Description and Page Number | Part Number | Description and Page Number | Part Number | Description and Page Number |
|-------------|---|-------------|---|-------------|--|
| 181109 | Mount, Vibration 34 | 181242 | Screw w/Lockwasher, 6-40 x 5/16 Hex 2,3,4,5,7, 17,19,20,21,30 | 181413 | Drum, Clutch 19 |
| 181111 | Pawl, Feed 6 | 181243 | Screw w/Lockwasher, 6-40 x 3/8 Hex 6,8,21,22,30,33 | 181414 | Pulley, 34T 19 |
| 181113 | Spring, Compression 6 | 181244 | Screw w/Lockwasher, 6-40 x 7/16 Hex 11,12 | 181417 | Pulley w/68T Gear, 13T 35 |
| 181114 | Lever 6 | 181245 | Screw w/Lockwasher, 6-40 x 1/2 Hex 2,21,33 | 181419 | Pulley w/62T Gear, 13T 35 |
| 181115 | Stud 6 | 181246 | Screw w/Lockwasher, 6-40 x 5/8 Hex 11,12,13 | 181420 | Pulley w/54T Gear, 17T 35 |
| 181116 | Arm, Reverse 6 | 181249 | Screw w/Lockwasher, 6-40 x 1 Hex 21 | 181424 | Nut, 6-40 Sq 11,12 |
| 181117 | Pawl, Retaining 6 | 181250 | Screw, No.2 Self- Tapping 15 | 181425 | Plate 11 |
| 181118 | Spring 6 | 181278 | Clamp 10,15 | 181426 | Plate, Spacer 11 |
| 181119 | Spring 6 | 181279 | Bracket 21 | 181427 | Plate, Nut 11 |
| 181120 | Spring, Compression 4,6 | 181284 | Spring 11,12,18,19 | 181440 | Bracket, Switch 16 |
| 181121 | Pin 6 | 181286 | Bushing 15 | 181449 | Plate, Contact 15 |
| 181122 | Disc 6 | 181300 | Sleeve, 3/16 ID x 1" Lg Insulating 37 | 181450 | Block, Contact 15 |
| 181123 | Nut, 4-40 Spl 6 | 181304 | Latch 26 | 181461 | Gong 15 |
| 181124 | Post 6 | 181305 | Spring 26 | 181464 | Clapper 15 |
| 181125 | Ratchet, Left Ribbon 6 | 181307 | Lever w/Post 26 | 181500 | Link, Drive 3 |
| 181126 | Ratchet, Right Ribbon 6 | 181312 | Latch, Carriage Return 6 | 181501 | Upstop, Line Feed Link 3 |
| 181129 | Ribbon w/Spool 6 | 181314 | Link w/Post 10 | 181503 | Bracket, Guide 23 |
| 181138 | Pad 34 | 181315 | Bail w/Post 33 | 181521 | Spring, Platen 3 |
| 181151 | Fan 35 | 181316 | Shaft 10 | 181522 | Guide, Paper 3 |
| 181164 | Shaft w/Link 3 | 181317 | Hub, Carriage Return Lever 10 | 181523 | Spring 2,4 |
| 181165 | Pawl, Feed 3 | 181318 | Lever, Actuating 24 | 181524 | Nut, 2-56 Shoulder 3 |
| 181166 | Bracket, Line Feed 3 | 181319 | Lever, Carriage Return 10 | 181525 | Guide, Paper 3 |
| 181168 | Bellcrank w/Studs 3 | 181320 | Lever, Unlatch 10 | 181570 | Lever 24 |
| 181172 | Lever, Function 24 | 181322 | Pawl, Function 15 | 181571 | Lever 24 |
| 181173 | Stud, Feed Pawl Stop 2 | 181323 | Spring 8 | 181572 | Lever 24 |
| 181174 | Guide 16 | 181324 | Pawl, Function 15 | 181573 | Lever 24 |
| 181175 | Plate, Stripper 3 | 181325 | Pawl, Function 15 | 181574 | Lever 24 |
| 181176 | Link, Adjusting 3 | 181326 | Arm 6 | 181575 | Lever 23 |
| 181178 | Bracket 33 | 181327 | Latch 6 | 181576 | Lever 24 |
| 181179 | Lever, Blocking 23 | 181328 | Lever 10 | 181580 | Lever 24 |
| 181191 | Spring, Compression 9 | 181383 | Clamp, Motor 35 | 181581 | Lever 24 |
| 181193 | Cylinder 2,5 | 181384 | Capacitor, 88-108 MFD 36 | 181582 | Lever 24 |
| 181194 | Washer, Flat 9 | 181386 | Insulator 36 | 181583 | Lever 24 |
| 181195 | Washer, Cup 9 | 181387 | Capacitor, 5 MFD 36 | 181585 | Lever 24 |
| 181196 | Ring, Retaining 9 | 181392 | Terminal, Tab Type 33 | 181653 | Diode 36 |
| 181197 | Plate, Adjusting 2,5 | 181394 | Capacitor, 47-56 MFD 36 | 181826 | Jumper, 2" Black 37 |
| 181198 | Bumper 9 | 181405 | Plate 13 | 181850 | Plate w/Stud 35 |
| 181199 | Piston 9 | 181406 | Roller 13 | 181851 | Gear, 17T 35 |
| 181203 | Washer, Flat 35 | 181407 | Spring 19 | 181853 | Pulley w/66T Gear, 16T 35 |
| 181204 | Washer, Flat 35 | 181409 | Belt, 47T 19 | 181854 | Pulley w/60T Gear, 16T 35 |
| 181221 | Pawl, Blocking Function 15 | 181411 | Pinion, 18T 35 | 181855 | Pulley w/40T Gear, 16T 35 |
| 181230 | Plate 10 | | | 181861 | Motor, 115V AC Synchrono- us 35,36,37 |
| 181231 | Screw, 8-32 Self-Tapping 16,21 | | | 181866 | Bracket 36 |
| 181237 | Screw, 1/4-14 Self- Tapping 34 | | | 181867 | Insulator 36 |
| 181240 | Screw w/Lockwasher, 6-40 x 3/16 Hex 2,17,23,30 | | | 181868 | Clip, Speed 36 |
| 181241 | Screw w/Lockwasher, 6-40 x 1/4 Hex 8,10,12,13,15, 20,23,26,30,31,36 | | | 181869 | Relay, Motor Start 36 |
| | | | | 181870 | Motor, 115V AC Synchrono- us 35,36,37 |
| | | | | 181877 | Relay w/Bracket 36 |
| | | | | 181891 | Sleeve, 3/16 ID x 2-1" Lg Insulating 37 |

NUMERICAL INDEX (Continued)

| Part Number | Description and Page Number | Part Number | Description and Page Number | Part Number | Description and Page Number |
|-------------|---|-------------|----------------------------------|-------------|--|
| 181892 | Sleeve, 9/64 ID x 1" Lg Insulating 36 | 182291 | Modification Kit 15,24 | 183130 | Insulator 21 |
| 181895 | Sleeve, 9/64 ID x 3/8" Lg Insulating 37 | 182293 | Typewheel, MC 27 | 183221 | Nut, Speed 19 |
| 181951 | Insert, Nylon 34 | 182310 | Codebar, No. 8-1 14 | 183301 | Plate, Paper Guide 4 |
| 181952 | Stud 2 | 182311 | Codebar, No. 8-2 14 | 183303 | Knob, Disengaging 4 |
| 181954 | Typewheel, NJ 6 | 182312 | Codebar, No. 8-3 14 | 183304 | Knob, Sprocket 4 |
| 181955 | Washer, Pulley 6 | 182313 | Codebar, No. 8-4 14 | 183308 | Plate, Right 4,5 |
| 181956 | Drum, Spacing 6 | 182314 | Codebar, No. 8-5 14 | 183309 | Plate, Left 4,5 |
| 181957 | Belt, 151T 6 | 182315 | Codebar, No. 8-6 14 | 183310 | Platen 4 |
| 181983 | Screw, 6-40 x 5/8 Spl 15 | 182316 | Codebar, No. 7 14 | 183313 | Bar 4 |
| 182015 | Lever Assembly, Clutch Trip 1,13 | 182317 | Codebar, No. 8 14 | 183314 | Guide, Right Paper 4 |
| 182037 | Switch Assembly, Contact 15 | 182318 | Codebar, R 14 | 183315 | Guide, Left Paper 4 |
| 182047 | Clutch Assembly 11,12 | 182330 | Codebar, No. 8-A 14 | 183316 | Bracket 4 |
| 182056 | Modification Kit 6 | 182461 | Bracket, Upstop 10 | 183317 | Bracket, Right 4 |
| 182068 | Plate, Identification 37 | 182531 | Clip, Speed 34,35 | 183318 | Bracket, Left 4 |
| 182069 | Plate, Identification 37 | 182540 | Connector, 15 Pt Plug Type 22,37 | 183319 | Detent, 21T 4 |
| 182137 | Contact Assembly 21 | 182643 | Terminal, Plug Type 22, 36,37 | 183320 | Pulley, 21T 4 |
| 182155 | Plate, Right 7 | 182644 | Terminal, Receptacle Type 36,37 | 183321 | Sprocket, Feed 4 |
| 182156 | Plate, Left 7 | 182650 | Connector, 4 Pt Plug Type 37 | 183322 | Pulley, 21T 4 |
| 182157 | Bushing, Shoulder 7 | 182677 | Cable w/Terminals 22 | 183323 | Bracket, Right 5 |
| 182181 | Fan 35 | 182692 | Jumper, 2-1/4" Orange 37 | 183326 | Guide, Bracket 6,7 |
| 182182 | Holder, Fuse 37 | 182693 | Jumper, 1-1/4" Orange 37 | 183330 | Guide 6 |
| 182183 | Deflector, Air 35 | 182726 | Terminal, Receptacle Type 37 | 183335 | Guide, Left 4 |
| 182194 | Gear, 40T 19 | 182894 | Link 21 | 183336 | Guide, Right 4 |
| 182195 | Drum w/Bearing, Clutch 19 | 182895 | Plate w/Bushing 21 | 183338 | Knob w/Pin 4 |
| 182232 | Roller 19 | 182898 | Arm 21 | 183339 | Plunger Assembly 4 |
| 182237 | Pawl, Function 15 | 182900 | Link w/Post 21 | 183341 | Wheel, Idler 4 |
| 182239 | Latchlever 20 | 182902 | Spacer, .469" Thk 21 | 183346 | Ring, Retaining 4 |
| 182241 | Motor, 60 Cycle Synchronous 35,36,37 | 182955 | Link, Support 21 | 183349 | Washer, Felt 4 |
| 182244 | Lever, Cam Follower 20 | 182957 | Plate 27 | 183351 | Stud, Idler 4 |
| 182250 | Foot, Rubber 34 | 182958 | Spacer 21 | 183352 | Guide, Paper 4 |
| 182262 | Arm, Stop 20 | 182960 | Plate 21 | 183356 | Washer, Supporting 4 |
| 182263 | Bracket 20 | 182961 | Sleeve 21 | 183357 | Spring, Compression 4 |
| 182264 | Stud 20 | 182964 | Arm Assembly, Drive 1,21 | 183358 | Plate 5 |
| 182267 | Motor, 50 Cycle Synchronous 35,36,37 | 183052 | Bracket, Contact 21 | 183360 | Arm 16 |
| 182268 | Lever, Cam Follower 20 | 183053 | Stiffener, Front 21 | 183361 | Disc 12 |
| 182269 | Modification Kit 20 | 183054 | Stiffener, Rear 21 | 183364 | Pulley w/20T Gear, 30T 30 |
| 182272 | Resistor, 10 Ohm 36 | 183055 | Spring, Contact 21 | 183367 | Pulley w/28T Gear, 21T 30 |
| 182276 | Lever, Answer-Back Trip 20,22 | 183056 | Spring, Contact 21 | 183369 | Pulley w/35T Gear, 21T 30 |
| 182277 | Spring 20 | 183057 | Insulator, .031" Thk 21 | 183371 | Bearing, Sleeve 12 |
| 182280 | Typewheel, MB 27 | 183058 | Insulator, .062" Thk 21 | 183372 | Lever, Shoe Release 12 |
| 182286 | Insulator, .032" Thk 15, 33 | 183059 | Bushing, Insulating 21 | 183373 | Disc, 6 Stop 12 |
| 182290 | Modification Kit 15,24 | 183060 | Terminal, Lug 21 | 183374 | Disc, 6 Stop 12 |
| | | 183062 | Cover, Contact 21 | 183376 | Collar 12 |
| | | 183098 | Lever, Trip 21 | 183377 | Collar 30 |
| | | 183110 | Shim, .004" Thk 21,32 | 183378 | Belt, 41T 30 |
| | | 183126 | Clip 34 | 183379 | Belt, 50T 30 |
| | | | | 183380 | Casting, Frame 2,5,6,8, 10,11,12,13,14,15,16,17, 19,20,22,23,32,33,35,36 |
| | | | | 183381 | Washer, Flat 12 |
| | | | | 183382 | Shaft, Main 12 |

NUMERICAL INDEX (Continued)

| Part Number | Description and Page Number | Part Number | Description and Page Number | Part Number | Description and Page Number |
|-------------|-----------------------------|-------------|-----------------------------|-------------|--|
| 183383 | Pulley, 15T 12 | 183449 | Plate, Index 30 | 183882 | Modification Kit 30 |
| 183384 | Disc 30 | 183450 | Screw, 4-40 x 7/32 Flat 12 | 183883 | Modification Kit 30 |
| 183385 | Arm, Stop 30 | 183454 | Retainer, Spring 4 | 183884 | Spring 30 |
| 183387 | Pawl, Function 15 | 183457 | Plate 30 | 183887 | Bail, L.F. 30 |
| 183388 | Pawl, Function 15 | 183458 | Plate, Stop 30 | 183922 | Typewheel 27 |
| 183389 | Arm 12 | 183464 | Post, Spring 30 | 183993 | Camsleeve 11,12 |
| 183390 | Arm w/Stud 16 | 183465 | Spacer 30 | 183994 | Link 9,10,11,12 |
| 183391 | Gear, 16T 30 | 183466 | Bracket 30 | 183995 | Lever 9 |
| 183392 | Gear, 20T 30 | 183467 | Insulator 30 | 183996 | Link, Toggle 10 |
| 183393 | Gear, 40T 30 | 183468 | Lever, Strip 23 | 183998 | Clutch Assembly 11,12 |
| 183394 | Gear, 20T 30 | 183469 | Plate 23 | 183999 | Spacer, .050" Thk 11,12 |
| 183395 | Gear, 24T 30 | 183474 | Modification Kit 6,7 | 184006 | Screw, 8-32 Self-Tapping 8,13,15,22 |
| 183396 | Gear, 20T 30 | 183483 | Post 31 | 184055 | Screw w/Lockwasher, 6-24 x 3/16 Hex 33 |
| 183397 | Gear, 24T 30 | 183484 | Cover, Contact 31 | 184067 | Screw w/Lockwasher, 4-40 x 5/16 Hex 6 |
| 183398 | Gear, 44T 30 | 183492 | Clutch Assembly 12 | 184085 | Screw, 8-32 Thumb 34 |
| 183399 | Gear, 45T 30 | 183495 | Codebar 14 | 184088 | Spring 30 |
| 183400 | Gear, 70T 30 | 183496 | Codebar 14 | 184089 | Shield 31 |
| 183401 | Gear, 40T 30 | 183497 | Codebar 14 | 184090 | Shield 31 |
| 183402 | Gear, 51T 30 | 183498 | Codebar 14,26 | 184096 | Bracket 10 |
| 183403 | Gear, 50T 30 | 183499 | Lever, Blocking 23 | 184149 | Drum, Answer-Back 22 |
| 183404 | Gear, 36T 30 | 183503 | Housing, Bearing 9 | 184157 | Modification Kit 23 |
| 183405 | Bail 30 | 183504 | Retainer, Bearing 9 | 184160 | Solenoid 32 |
| 183406 | Bracket, Stop 30 | 183510 | Cable Assembly 22 | 184201 | Lever 20 |
| 183407 | Arm 30 | 183545 | Arm, Reverse 6 | 184251 | Lever w/Bracket 25 |
| 183408 | Arm 12 | 183552 | Lever 24 | 184253 | Lever 25 |
| 183409 | Arm, Latch 30 | 183558 | Post 14,32 | 184254 | Lever 25 |
| 183411 | Plate, Cam 30 | 183560 | Lever 32 | 184255 | Lever 25 |
| 183415 | Roller 19 | 183561 | Bracket, Magnet 32 | 184256 | Lever 25 |
| 183418 | Shaft, Distributor 19 | 183562 | Bracket 33 | 184257 | Lever 25 |
| 183422 | Roller 30 | 183563 | Bracket 32 | 184258 | Lever 25 |
| 183423 | Bracket, Spring 30 | 183564 | Bracket w/Stud 32 | 184259 | Lever 25 |
| 183425 | Clamp 15,16 | 183565 | Bar w/Link 32 | 184280 | Knob Assembly 4 |
| 183426 | Clamp 15 | 183567 | Bar 14 | 184685 | Typewheel, MG 27 |
| 184428 | Shaft 30 | 183588 | Typewheel, MD 27 | 184686 | Typewheel, MH 27 |
| 183429 | Bail 30 | 183599 | Typewheel, ME 27 | 184688 | Typewheel, MJ 27 |
| 183430 | Arm 30 | 183851 | Retainer, Left 23 | 184689 | Typewheel, MK 27 |
| 183431 | Bail, Clutch Latch 30 | 183852 | Pin 32 | 184690 | Typewheel, ML 27 |
| 183432 | Bail, Reset 30 | 183853 | Retainer, Right 23 | 184691 | Typewheel, MN 27 |
| 183433 | Bracket, Side 30 | 183861 | Plate, Stop 5 | 184692 | Typewheel, MU 27 |
| 183434 | Bracket, Contact Switch 31 | 183862 | Terminal 5,31 | 184693 | Typewheel, MP 27 |
| 183435 | Bail, Contact Switch 30 | 183863 | Spring, Contact 5,31 | 184694 | Typewheel, MT 27 |
| 183436 | Bracket 30 | 183864 | Spring, Contact 5,31 | 184695 | Typewheel, MR 27 |
| 183437 | Bracket 30,31 | 183865 | Bushing, Insulating 5,31 | 184696 | Typewheel, MV 27 |
| 183438 | Stud 4 | 183876 | Screw, 6-32 Set 4 | 184697 | Typewheel, MW 27 |
| 183442 | Lever w/Hub 4 | 183877 | Modification Kit 30 | 184698 | Typewheel, MY 27 |
| 183443 | Bracket 5 | 183878 | Modification Kit 30 | 184950 | Typewheel, MS 27 |
| 183444 | Contact Assembly 31 | 183879 | Modification Kit 30 | 184951 | Typewheel, MZ 27 |
| 183445 | Contact Assembly 5 | 183880 | Modification Kit 30 | | |
| 183448 | Pointer 30 | 183881 | Modification Kit 30 | | |

NUMERICAL INDEX (Continued)

| Part Number | Description and Page Number | Part Number | Description and Page Number | Part Number | Description and Page Number |
|-------------|-------------------------------------|-------------|---|-------------|--|
| 184952 | Typewheel, NA 27 | 185680 | Plate, Identification 37 | 186175 | Bracket 6 |
| 184953 | Typewheel, NB 27 | 185700 | Base 34 | 186213 | Hub 16 |
| 184954 | Typewheel, HC 28 | 185721 | Bracket, Fuse 37 | 186214 | Washer, Spl 16 |
| 184955 | Typewheel, ND 28 | 185730 | Modification Kit 37 | 186240 | Set of Parts 16 |
| 184956 | Typewheel, NE 28 | 185731 | Jumper, 3-3/4" Black 37 | 186247 | Shaft 11 |
| 184957 | Typewheel, NF 28 | 185732 | Bracket, Fuse 37 | 186248 | Shaft 12 |
| 184958 | Typewheel, NG 28 | 185733 | Insulator 36,37 | 186249 | Cam, Selector 18 |
| 184959 | Typewheel, NH 28 | 185734 | Fuse, SL-BL 2-1/4 Amp 37 | 186253 | Lever w/Hub 20 |
| 184960 | Typewheel, NK 28 | 185736 | Bracket, Spring 10 | 186254 | Lever, Cam Follower 20,33 |
| 184961 | Typewheel, NL 28 | 185755 | Spring 32 | 186257 | Clamp 20 |
| 184962 | Typewheel, NM 28 | 185775 | Extension, Armature 21, 22,32 | 186259 | Clamp, Bearing 16 |
| 184963 | Typewheel, NP 28 | | | 186261 | Link 33 |
| 184964 | Typewheel, NR 28 | 185788 | Arm 26 | 186262 | Shaft, Trip Pivot 20,22 |
| 184965 | Typewheel, NS 28 | 185789 | Stud 26 | 186264 | Lever w/Stud 33 |
| 184966 | Typewheel, NT 28 | 185790 | Plate, Detent 26 | 186265 | Buffer 20 |
| 184967 | Typewheel, NU 28 | 185791 | Modification Kit 1,26 | 186268 | Shaft, Distributor 19 |
| 184968 | Typewheel, NV 28 | 185796 | Bracket 2 | 186271 | Shaft, Distributor 19 |
| 184969 | Typewheel, NW 28 | 185799 | Shaft 6 | 186313 | Lever 24 |
| 184970 | Typewheel, NX 28 | 185816 | Screw, 6-40 x 5/16 Spl 2 | 186401 | Clutch Assembly 18 |
| 184971 | Typewheel, NY 28 | 185834 | Plate, Identification 37 | 186412 | Arm 16 |
| 184972 | Typewheel, NZ 28 | 185871 | Screw w/Lockwasher, 8-32 x 3/8 Hex 33,34 | 186413 | Arm 16 |
| 184973 | Typewheel, PA 28 | | | 186432 | Guideplate 7 |
| 184974 | Typewheel, PB 28 | 185877 | Platen 2,26 | 186442 | Piston 9 |
| 184975 | Typewheel, PC 28 | 185945 | Insulator 5 | 186443 | Bumper 9 |
| 184976 | Typewheel, PD 28 | 185968 | Latch 26 | 186445 | Cover, Contact 17 |
| 184977 | Typewheel, PE 29 | 185969 | Hub 26 | 186446 | Lever, Blocking 17 |
| 184978 | Typewheel, PF 29 | 185970 | Lever w/Post 26 | 186447 | Lever, Blocking 17 |
| 184979 | Typewheel, PG 29 | 185971 | Modification Kit 1,26 | 186448 | Timer Assembly 36 |
| 184980 | Typewheel, PH 29 | 185975 | Guidepost 6 | 186460 | Pinion, 19T 35 |
| 184981 | Typewheel, PJ 29 | 185980 | Retainer 32 | 186462 | Pulley w/64T Gear, 13T 35 |
| 184982 | Typewheel, PL 29 | 185984 | Lever 24 | 186465 | Timer Assembly 36 |
| 184983 | Typewheel, PM 29 | 185985 | Lever 24 | 186468 | Lever 24 |
| 184984 | Typewheel, PN 29 | 185986 | Post 8,26 | 186536 | Set of Parts 9 |
| 184985 | Typewheel, PR 29 | 185987 | Roller 8,26 | 186538 | Pulley w/52T Gear 35 |
| 184986 | Typewheel, PT 29 | 185989 | Collar 4 | 186539 | Gear 35 |
| 184987 | Typewheel, PW 29 | 185990 | Platen 4 | 186555 | Timer, Elapsed 36 |
| 184988 | Typewheel, PX 29 | 185993 | Arm, Latch 31 | 186556 | Timer Assembly, Elapsed 36 |
| 184989 | Typewheel, PY 29 | 185994 | Arm w/Hub 31 | | |
| 184990 | Typewheel, PZ 29 | 185996 | Spacer 31 | 186557 | Bracket 15 |
| 184991 | Typewheel, RA 29 | 185997 | Plate, Stop 31 | 186575 | Arm 11,12,16 |
| 184993 | Typewheel, RC 29 | 185998 | Plate 31 | 186576 | Arm 16 |
| 184994 | Typewheel, RD 29 | 185999 | Arm, Stop 31 | 186583 | Plate 36 |
| 184996 | Typewheel, RF 29 | 186009 | Insulator 36 | 186584 | Timer Assembly 36 |
| 184998 | Typewheel, RH 29 | 186010 | Bracket 36 | 186585 | Timer Assembly 36 |
| 184999 | Typewheel, RJ 29 | 186011 | Bracket 37 | 186604 | Bracket 15 |
| 185000 | Typewheel, RL 29 | 186014 | Bracket, Contact 17 | 186606 | Set of Parts 4 |
| 185484 | Typewheel, SB 29 | 186025 | Contact Assembly 17 | 186608 | Lever 25 |
| 185676 | Terminal, Plug Type 21, 22,36,37 | 186042 | Set of Parts 19 | 186609 | Lever 25 |
| | | 186052 | Spacer, .183" Thk 19 | 186610 | Lever 25 |
| 185677 | Terminal, Receptacle Type 36,37 | 186053 | Nut, Speed 19 | 186611 | Lever 25 |
| | | 186070 | Typewheel, PS 29 | 186639 | Sleeve, 7/16 ID x 1-1/2" Lg Insulating 37 |

NUMERICAL INDEX (Continued)

| Part Number | Description and Page Number | Part Number | Description and Page Number | Part Number | Description and Page Number |
|-------------|-----------------------------|-------------|-----------------------------|-------------|--|
| 186642 | Knob 18 | 186782 | Clip, Function Lever 14 | 194987 | Screw, 8-32 x 3/8 Hex 5, 16 |
| 186664 | Post 33 | 186783 | Clip, Extension 14 | 195614 | Pin, Key 37 |
| 186665 | Set of Parts 2 | 186796 | Lever, Function 24 | 196932 | Sleeve, 7/16 ID x 1-1/4" Lg Insulating 37 |
| 186669 | Spring 18,24,25 | 186798 | Pawl 15 | 197464 | Diode 15 |
| 186691 | Insert 34 | 186802 | Pawl, Function 15 | 198670 | Screw w/Lockwasher, 6-40 x 5/16 Hex 2,3,4,5,10 |
| 186692 | Post, Eccentric 10 | 186803 | Clip, Extension 14 | 199440 | Screw, 5-40 x 4/8 Fil 11, 12 |
| 186693 | Lever 10 | 186836 | Guard, Motor 35 | 312918 | Strap 35,37 |
| 186694 | Lever 10 | 186873 | Plate, Stop 21 | 312919 | Strap, Cable 37 |
| 186695 | Link 7 | 187000 | Screw, Self-Tapping 17 | 312920 | Strap, Cable 37 |
| 186696 | Link w/Stud 7 | 187069 | Barrier 30 | 315756 | Plate, Identification 35 |
| 186728 | Modification Kit 10 | 187076 | Plate 3 | 320246 | Fuse, SL-BL 1.8 Amp 37 |
| 186731 | Ring, Compression 13 | 187077 | Link w/Post 3 | 320410 | Terminal, Spade Type 36 |
| 186732 | Line 7 | 187078 | Upstop 3 | 320411 | Terminal, Spade Type 33 |
| 186733 | Insulator 34 | 187096 | Plate 4,30 | 320423 | Plate 36 |
| 186734 | Insulator 17 | 187097 | Stud 4 | 323094 | Diode 36 |
| 186738 | Insulator 34 | 187098 | Wheel, Idler 4 | 324499 | Terminal 36,37 |
| 186745 | Cylinder 2,5 | 187099 | Eccentric 4 | 327323 | Ring, Retaining 16,20,33 |
| 186747 | Bracket 30 | 187100 | Washer, Flat 4 | 328727 | Connector, 15 Pt Plug Type 37 |
| 186748 | Spacer 30 | 187103 | Bracket 15 | 340699 | Clip, Cable 34 |
| 186770 | Shaft 14 | 187126 | Stud 19 | | |
| 186774 | Handle 33 | 188059 | Plate 3 | | |
| 186775 | Clamp 33 | 188406 | Switch 16 | | |
| 186776 | Modification Kit 33 | 192007 | Terminal, Tab Type 37 | | |
| 186778 | Screw, 6-40 x 7/32 Hex 18 | 193476 | Jumper, 2-3/4" Black 37 | | |
| 186781 | Clip, Function Lever 14 | 194956 | Spring 12 | | |

33 CALL CONTROL UNIT (UCC)

PARTS

| FIGURE | CONTENTS | PAGE |
|--------|--|------|
| 1 | Base Plate Components for use With Rotary Dial | 2 |
| 2 | Base Plate Components for use With Touch-Tone or Card Dialing | 3 |
| 3 | Electrical Components for use With Rotary Dial | 4 |
| 4 | Electrical Components for use With Rotary Dial (Continued) | 5 |
| 5 | Electrical Components for use With Touch-Tone or Card Dialing | 6 |
| 6 | Base Plate and Electrical Components for DC Signal Private Line | 7 |
| 7 | Base Plate and Electrical Components for DC Signal Private Line (Continued) | 8 |
| 8 | Electrical Components for Computer Control Private Line | 9 |
| 9 | Base Plate and Electrical Components for use With Station Controller | 10 |
| 10 | Base Plate and Electrical Components for use With Station Controller (Continued) | 11 |
| 11 | Base Plate and Electrical Components | 12 |
| 12 | Base Plate and Electrical Components (Continued) | 13 |
| 13 | 186627 Set Interface Logic Assembly | 14 |
| 14 | 186630 Modification Kit to Provide Break Detection and Indication | 15 |
| 15 | Alarms and Speaker | 16 |
| 16 | 181815, 182695, 183985, 184012, 186000 and 332709 Selector Magnet Driver Assemblies | 17 |
| 17 | Receive-Only Bracket Components | 18 |
| 18 | 182489, 193487, 186600 and 186601 Dial Modifications | 19 |
| 19 | 186602, 186603, 193488 and 195927 Dial Modifications | 20 |
| 20 | 193486, 193489, 195924, 195926 and 327420 Dial Modifications | 21 |
| 21 | Key Assemblies | 22 |
| 22 | Power Cords and Jumpers | 23 |
| 23 | Cable Components | 24 |
| 24 | 186670 Modification Kit to Provide Private Line | 25 |
| 25 | Base Plate and Electrical Components for Private Wire Service | 26 |
| 26 | Call Control w/Modem-Logic CARDS | 27 |
| 27 | 188865 Power Supply Assembly | 28 |
| 28 | 188865 Power Supply Assembly (Continued) | 29 |
| 29 | 187133 (Manual) and 187134 (Automatic Reader Card Set of Parts | 30 |
| 30 | 186765 (Manual) and 186766 (Automatic) Reader Power Pack Assemblies | 30 |
| | Numerical Index | 31 |

** Denotes a painted part
HF-Light Olive Gray Smooth Vinyl

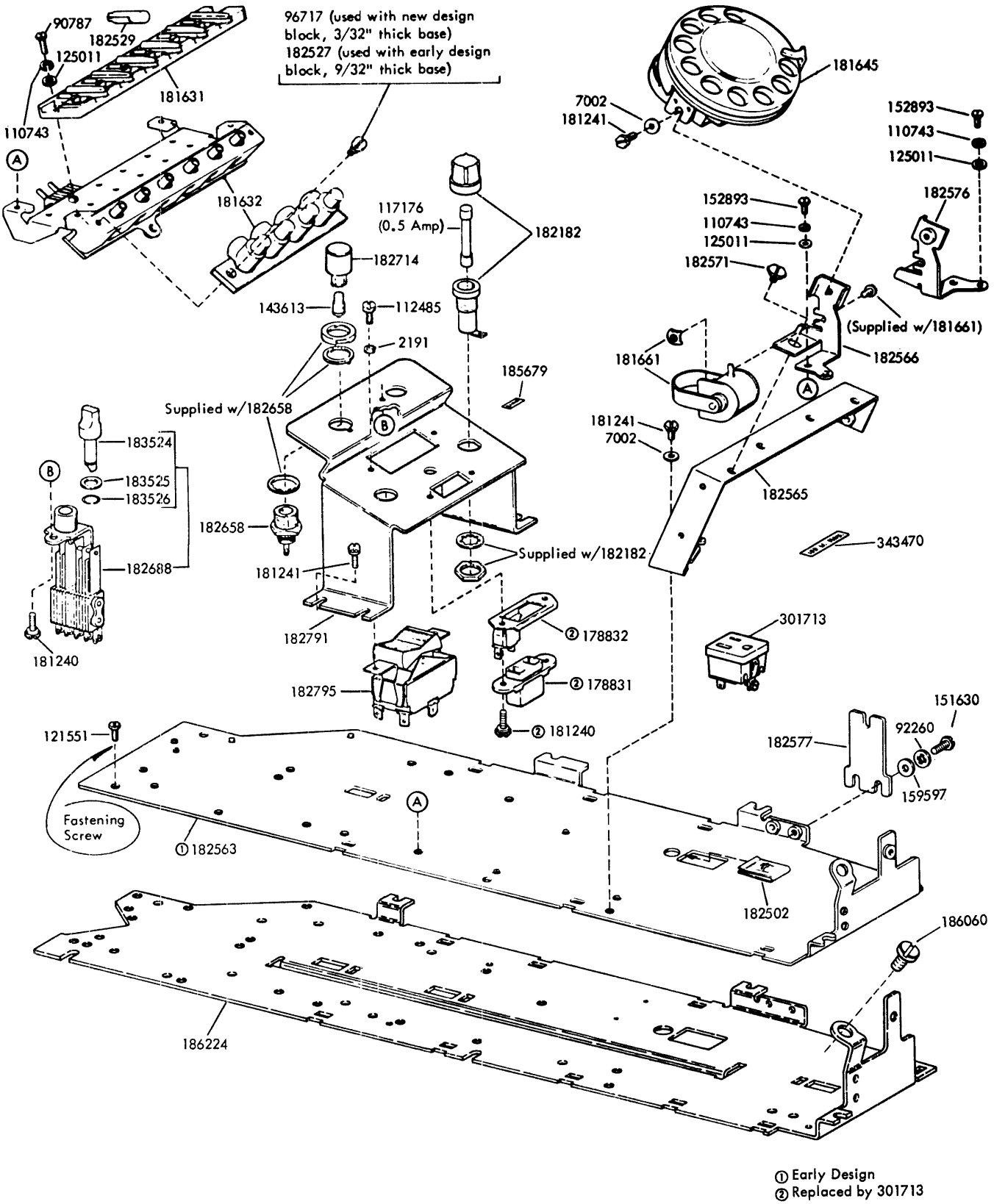


FIGURE 1. BASE PLATE COMPONENTS FOR USE WITH ROTARY DIAL

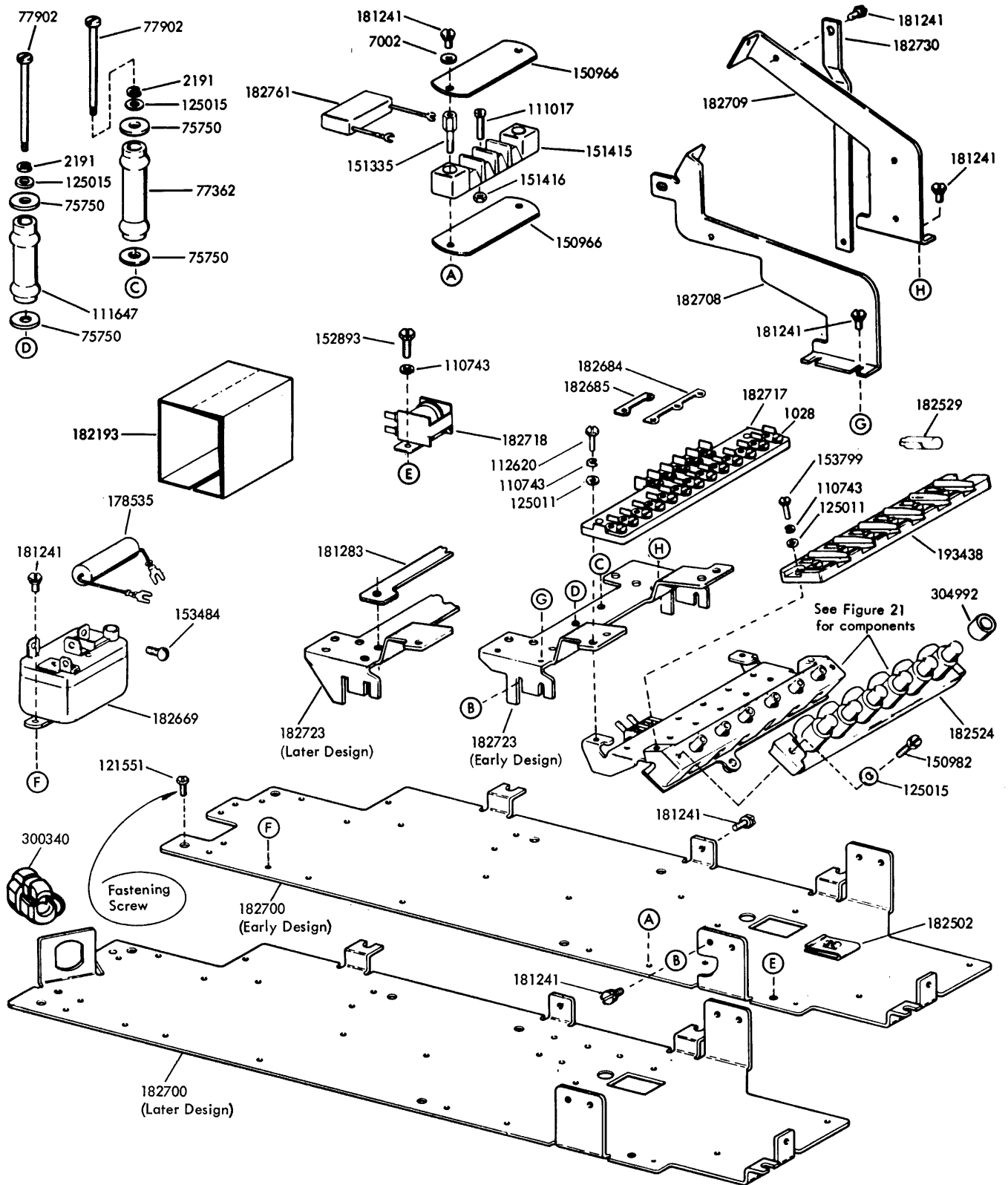


FIGURE 2. BASE PLATE COMPONENTS FOR USE WITH TOUCH-TONE OR CARD DIALING

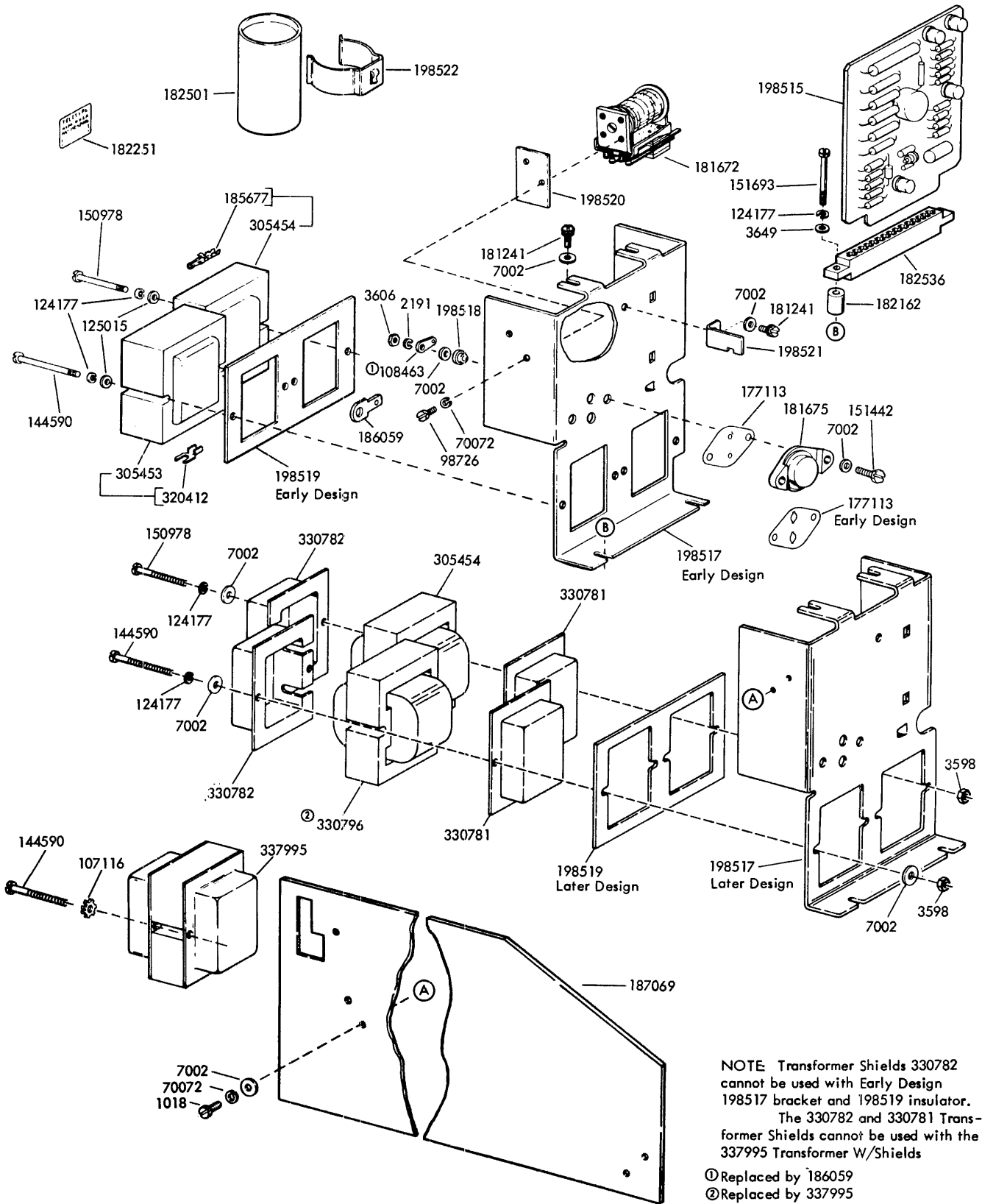


FIGURE 3. ELECTRICAL COMPONENTS FOR USE WITH ROTARY DIAL

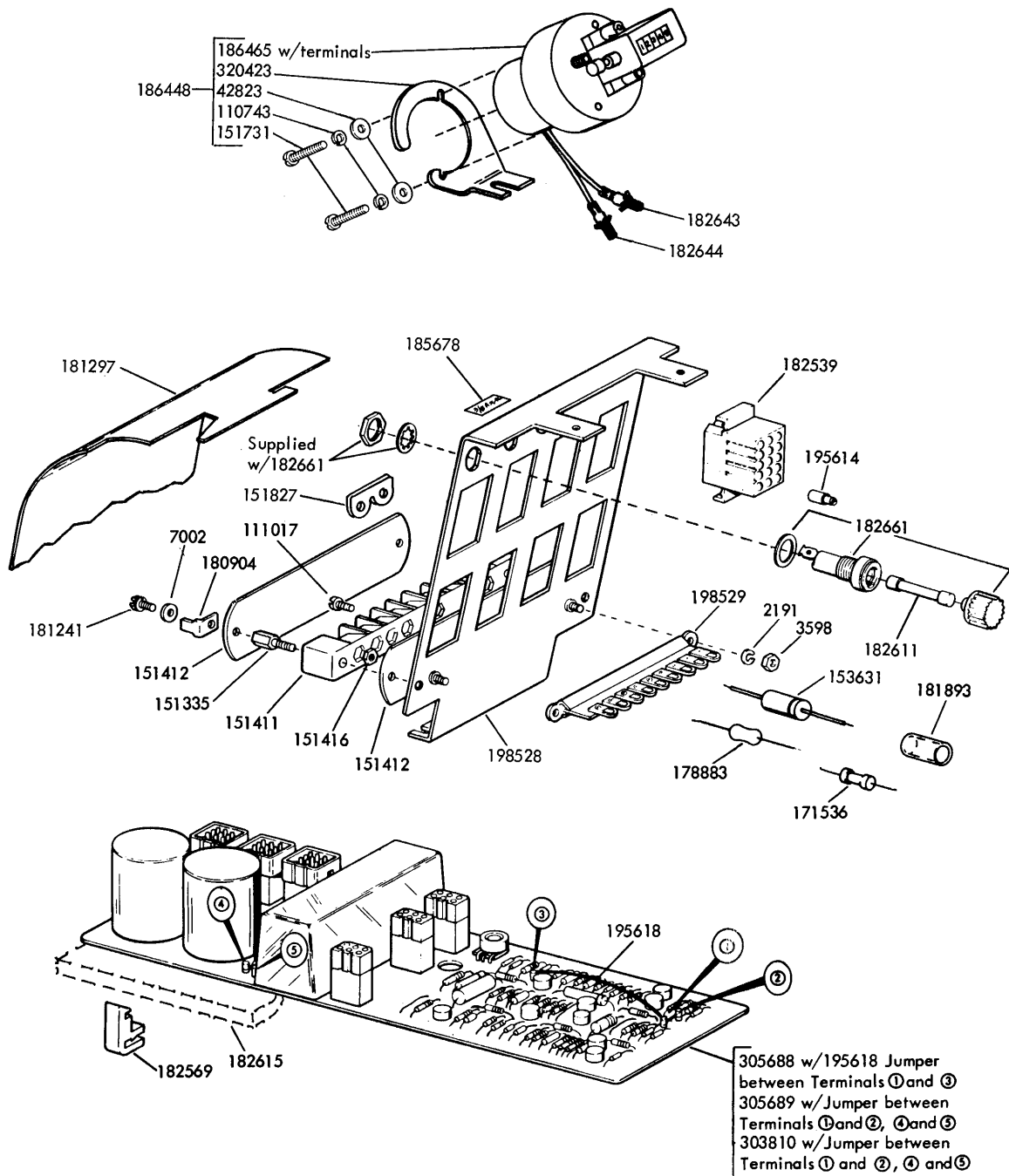


FIGURE 4. ELECTRICAL COMPONENTS FOR USE WITH ROTARY DIAL (Continued)

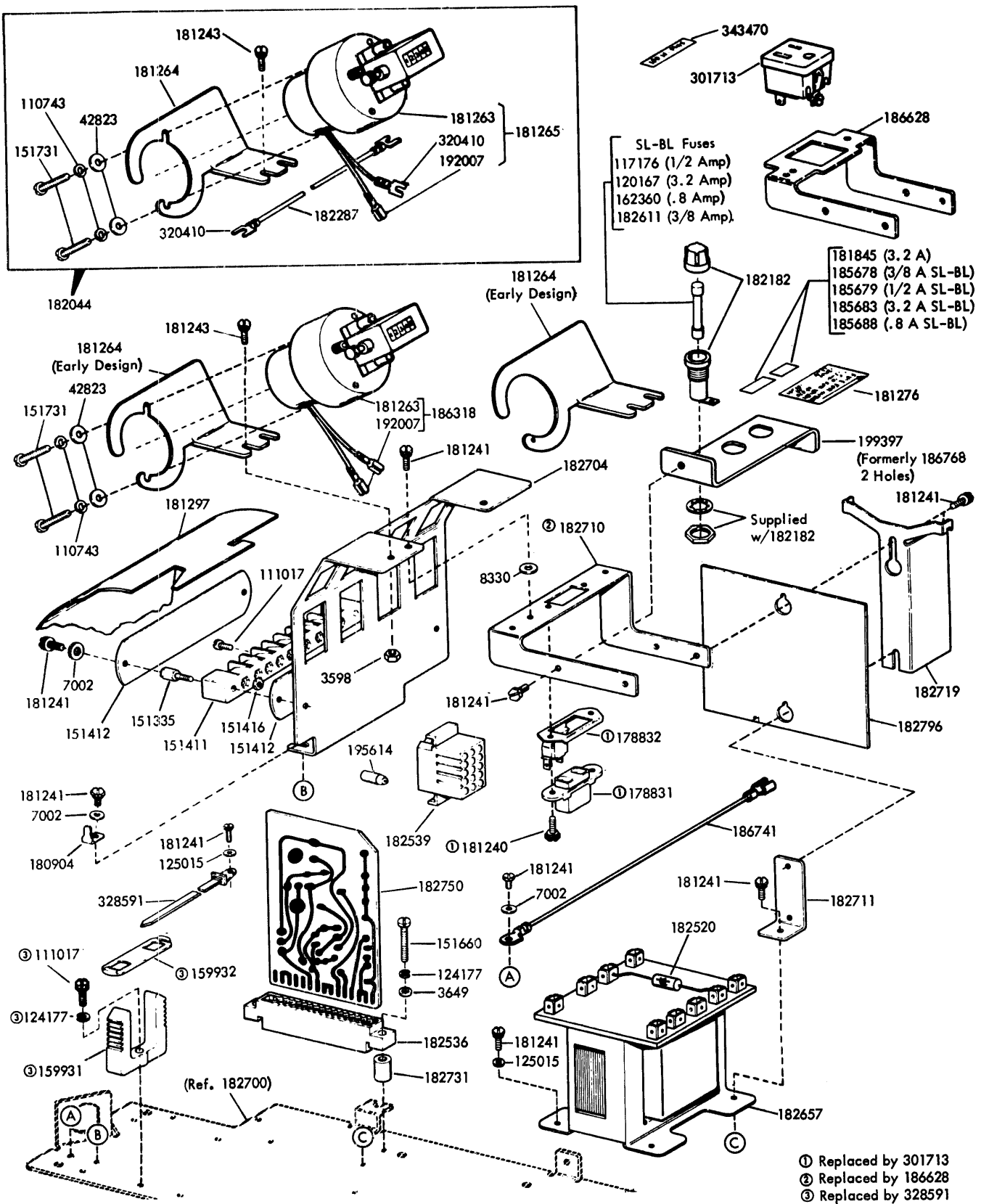


FIGURE 5. ELECTRICAL COMPONENTS FOR USE WITH TOUCH-TONE OR CARD DIALING

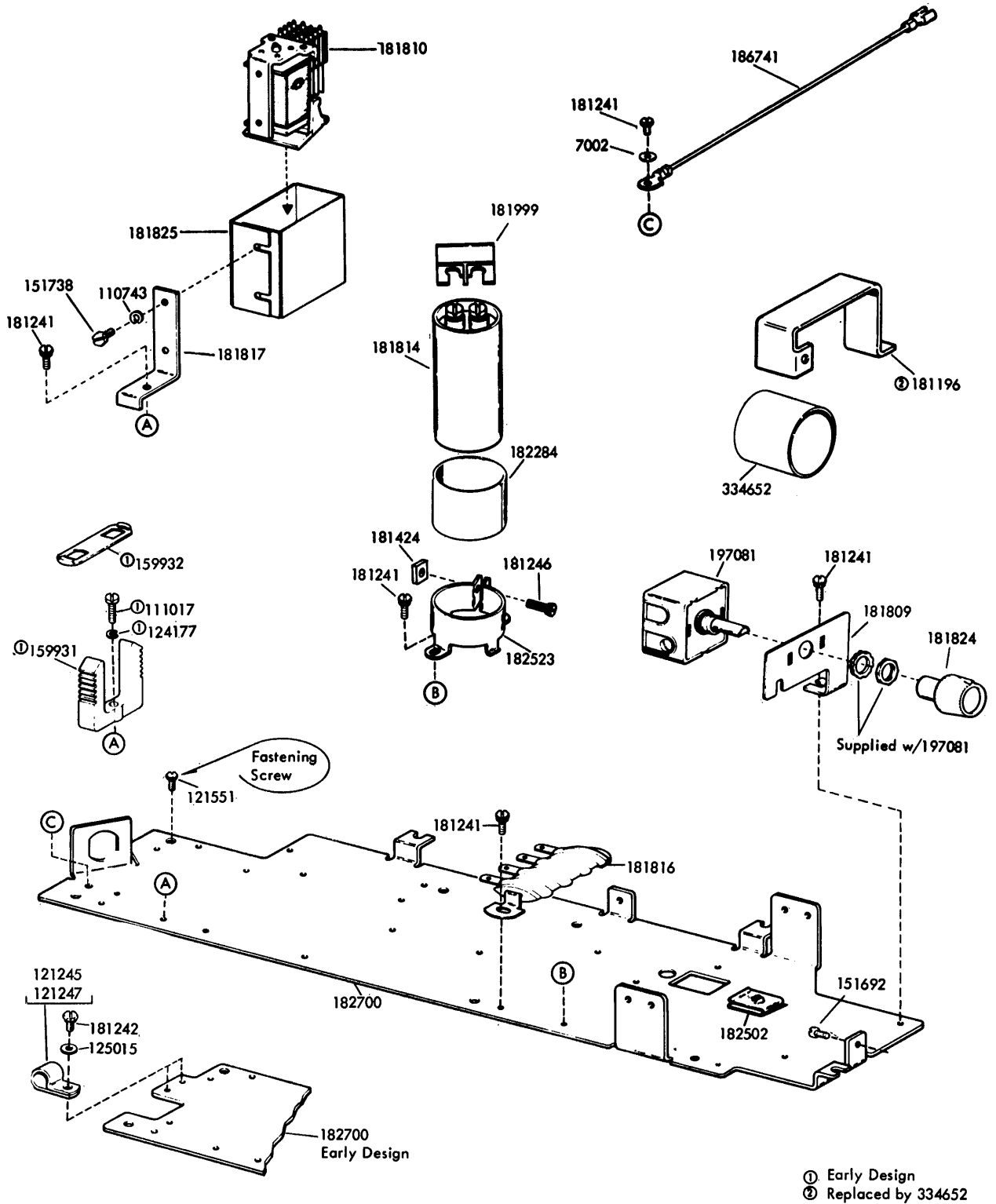


FIGURE 6. BASE PLATE AND ELECTRICAL COMPONENTS FOR DC SIGNAL PRIVATE LINE

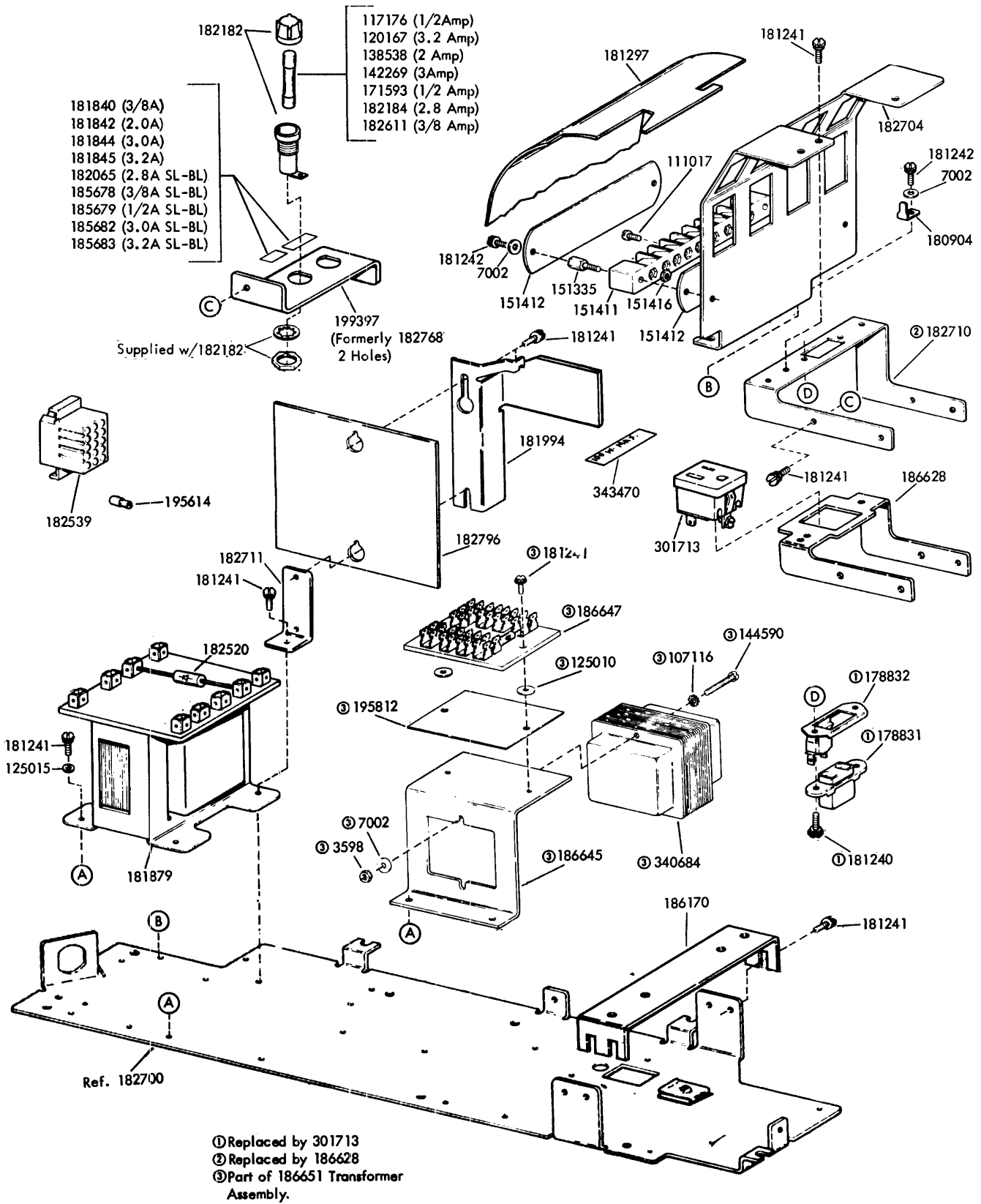


FIGURE 7. BASE PLATE AND ELECTRICAL COMPONENTS FOR D.C. PRIVATE LINE (Continued)

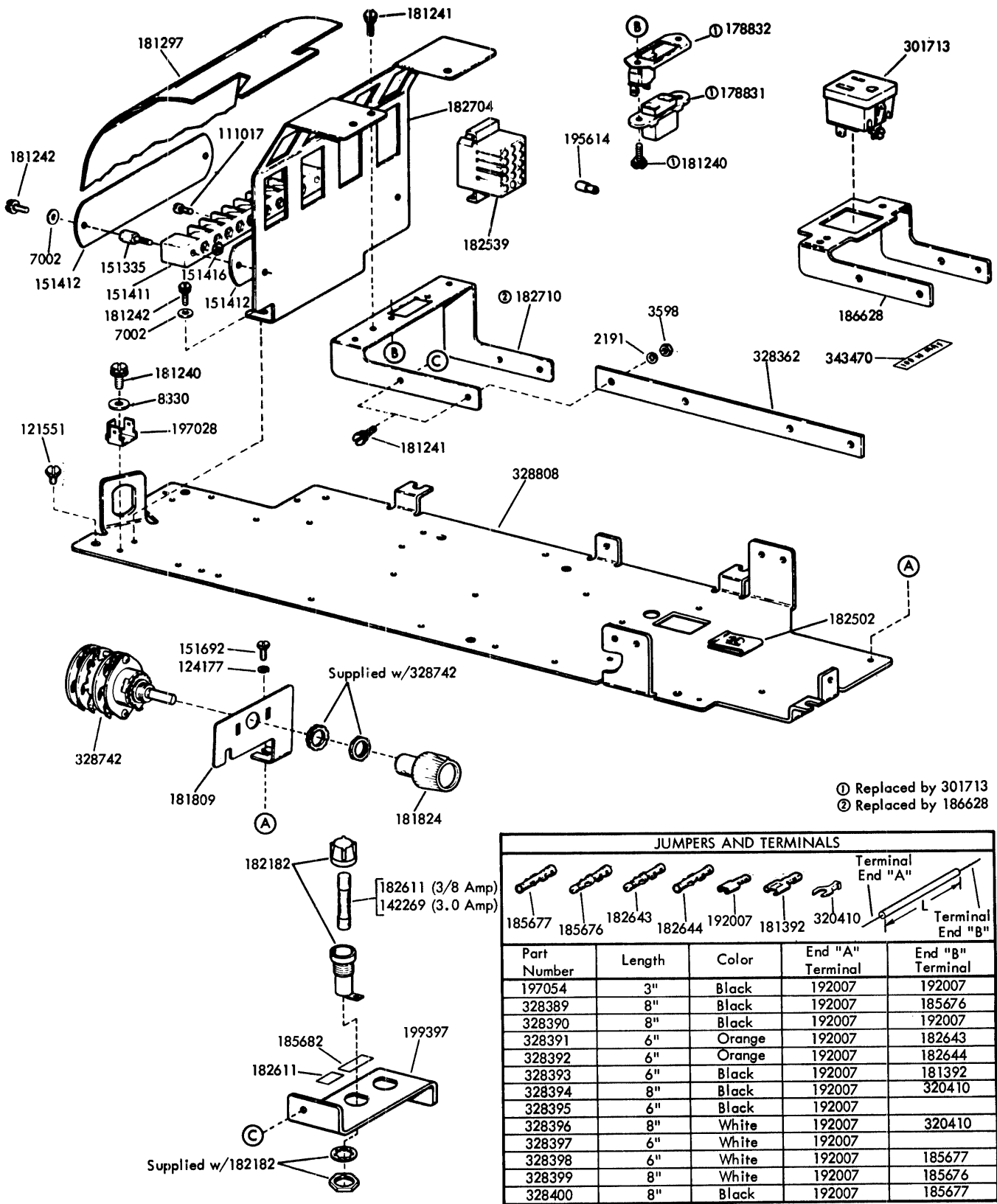


FIGURE 9. BASE PLATE AND ELECTRICAL COMPONENTS FOR USE WITH STATION CONTROLLERS

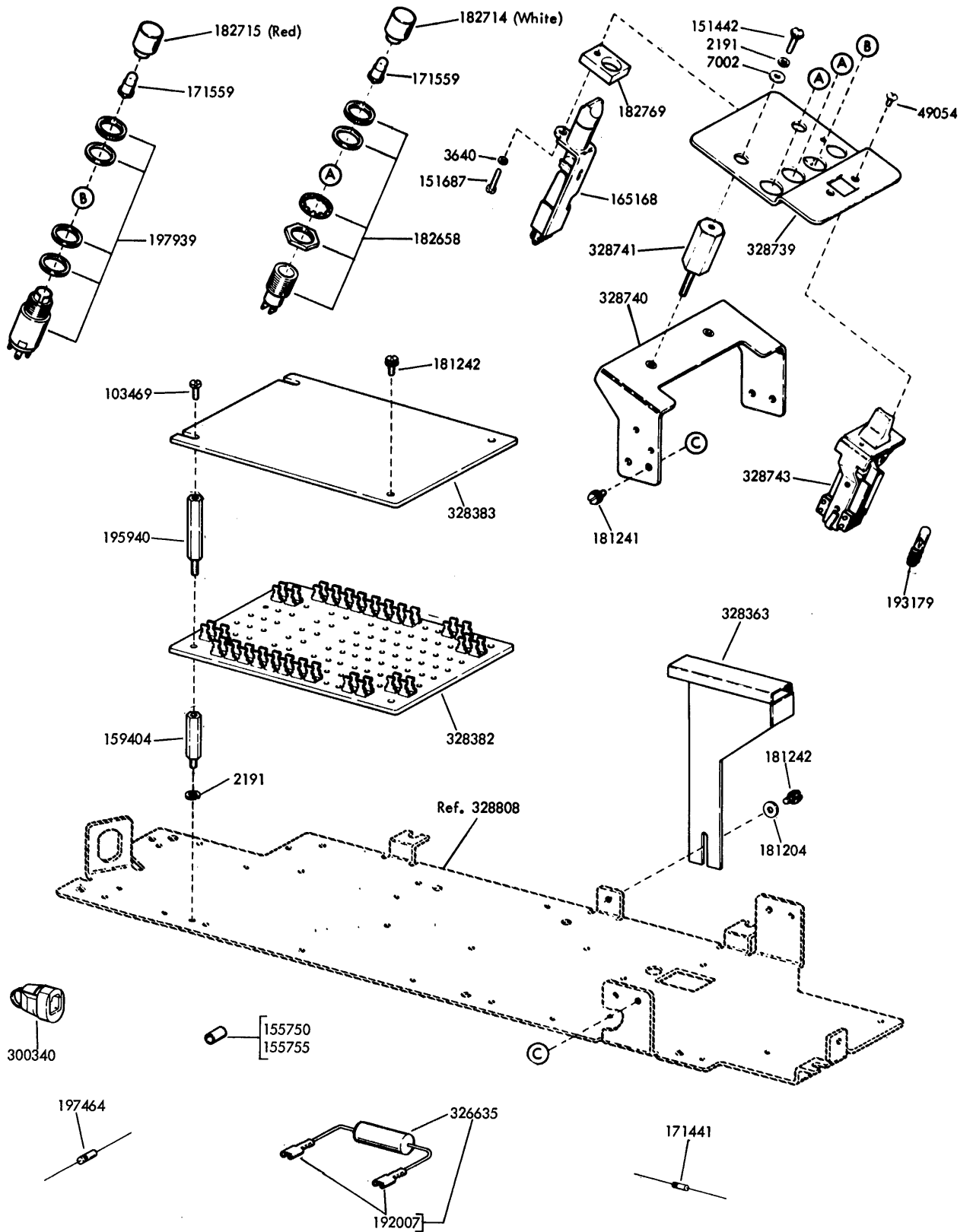


FIGURE 10. BASE PLATE AND ELECTRICAL COMPONENTS FOR USE WITH STATION CONTROLLER (Continued)

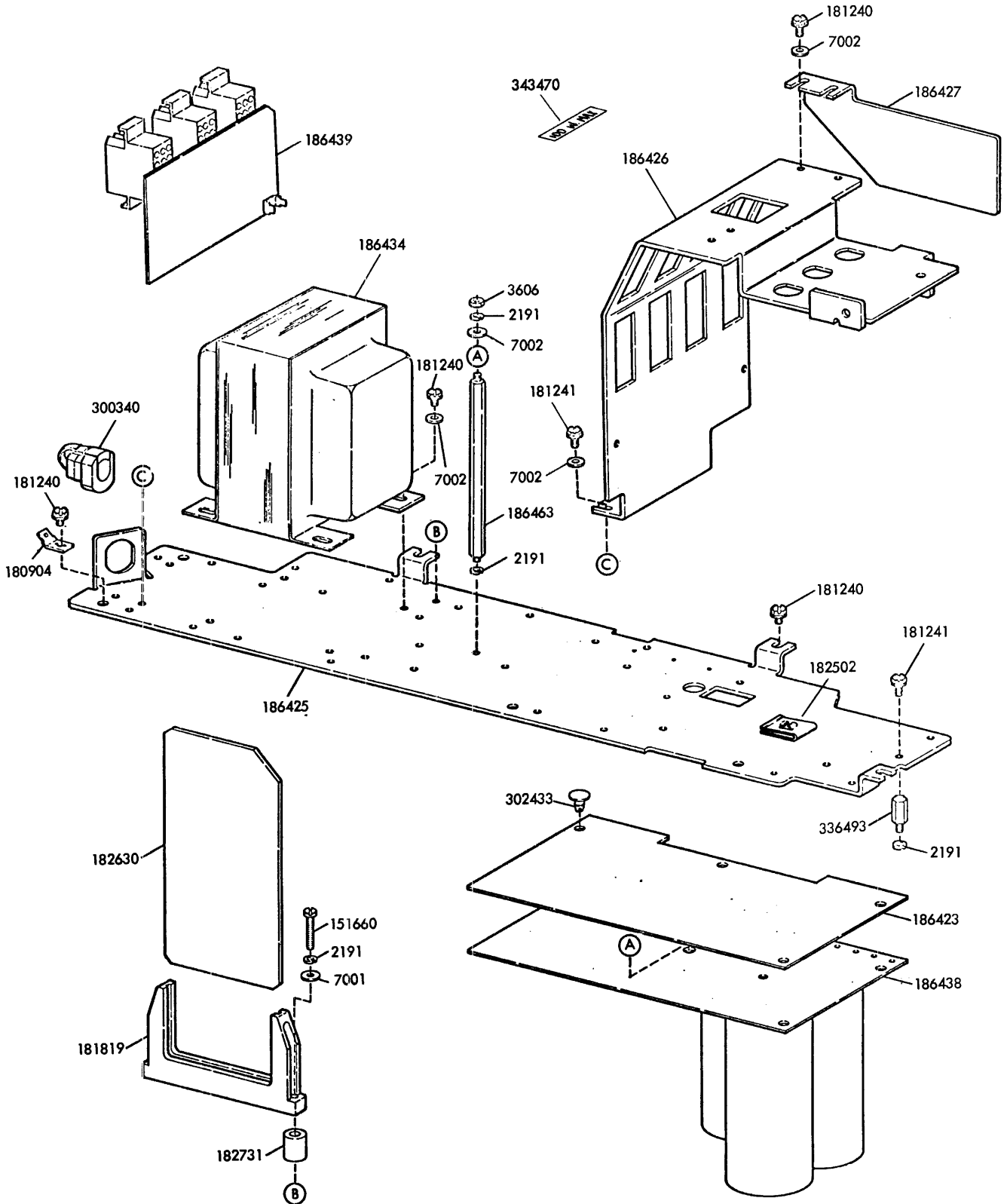
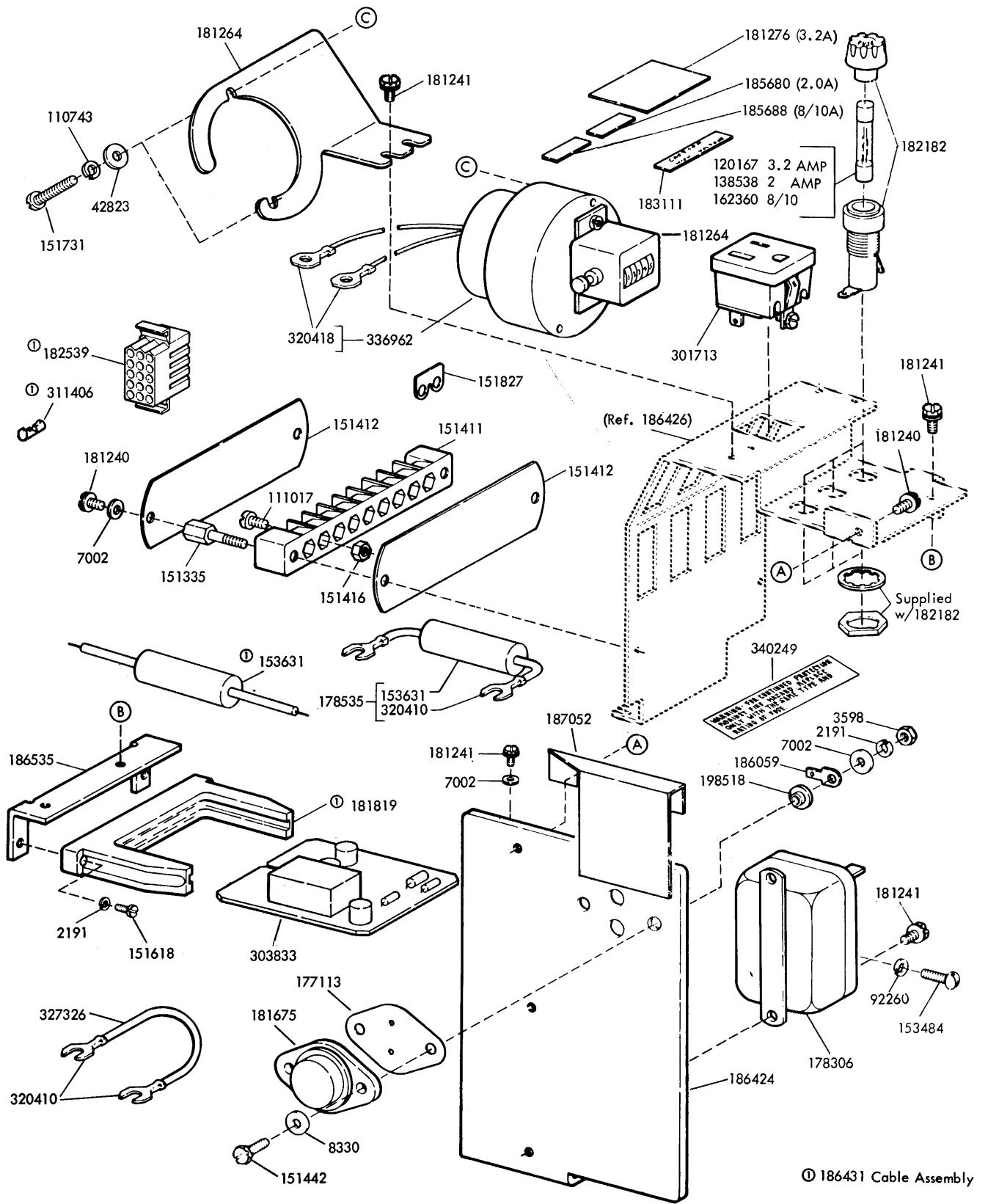


FIGURE 11. BASE PLATE AND ELECTRICAL COMPONENTS



ⓓ 186431 Cable Assembly

FIGURE 12. BASE PLATE AND ELECTRICAL COMPONENTS (Continued)

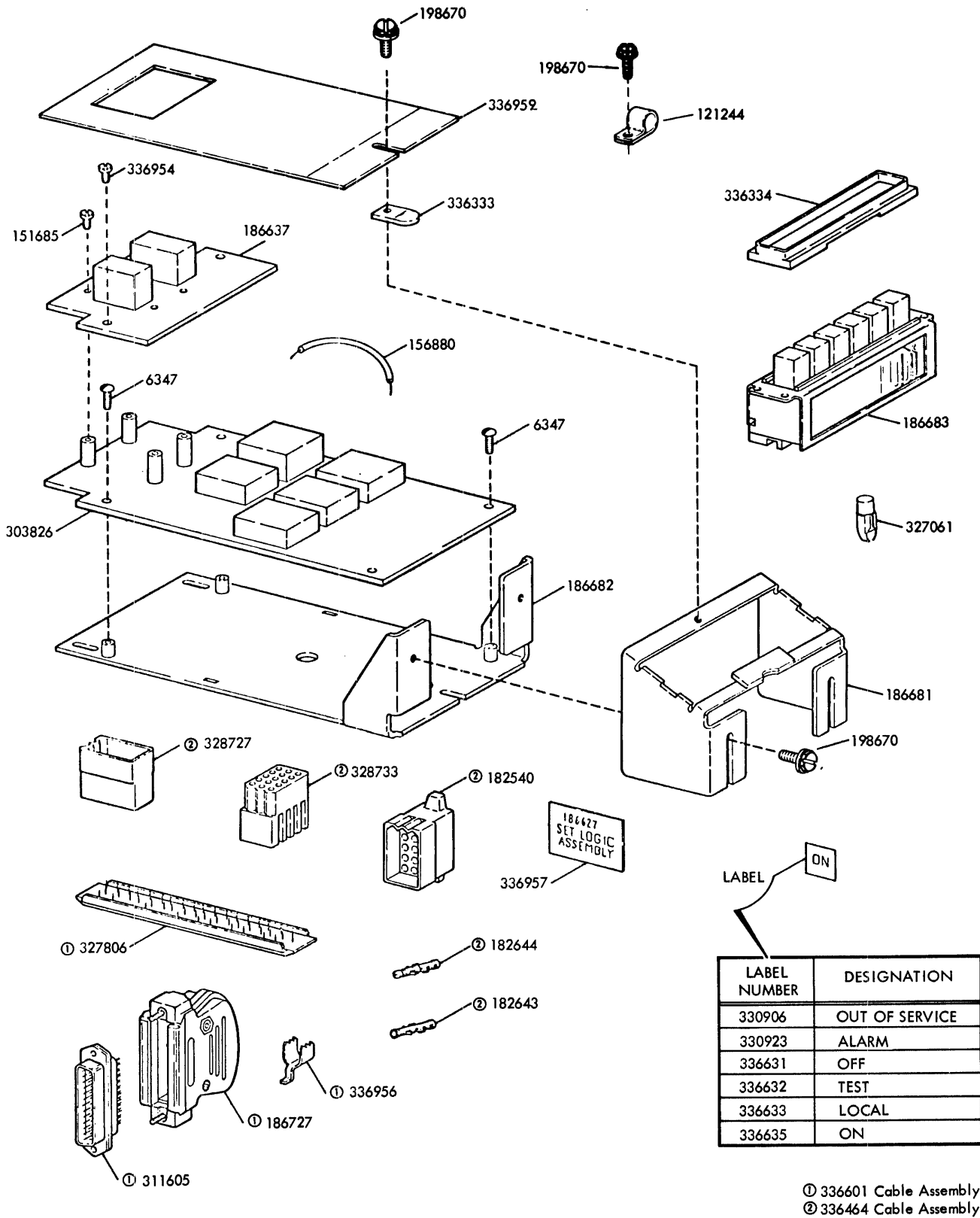
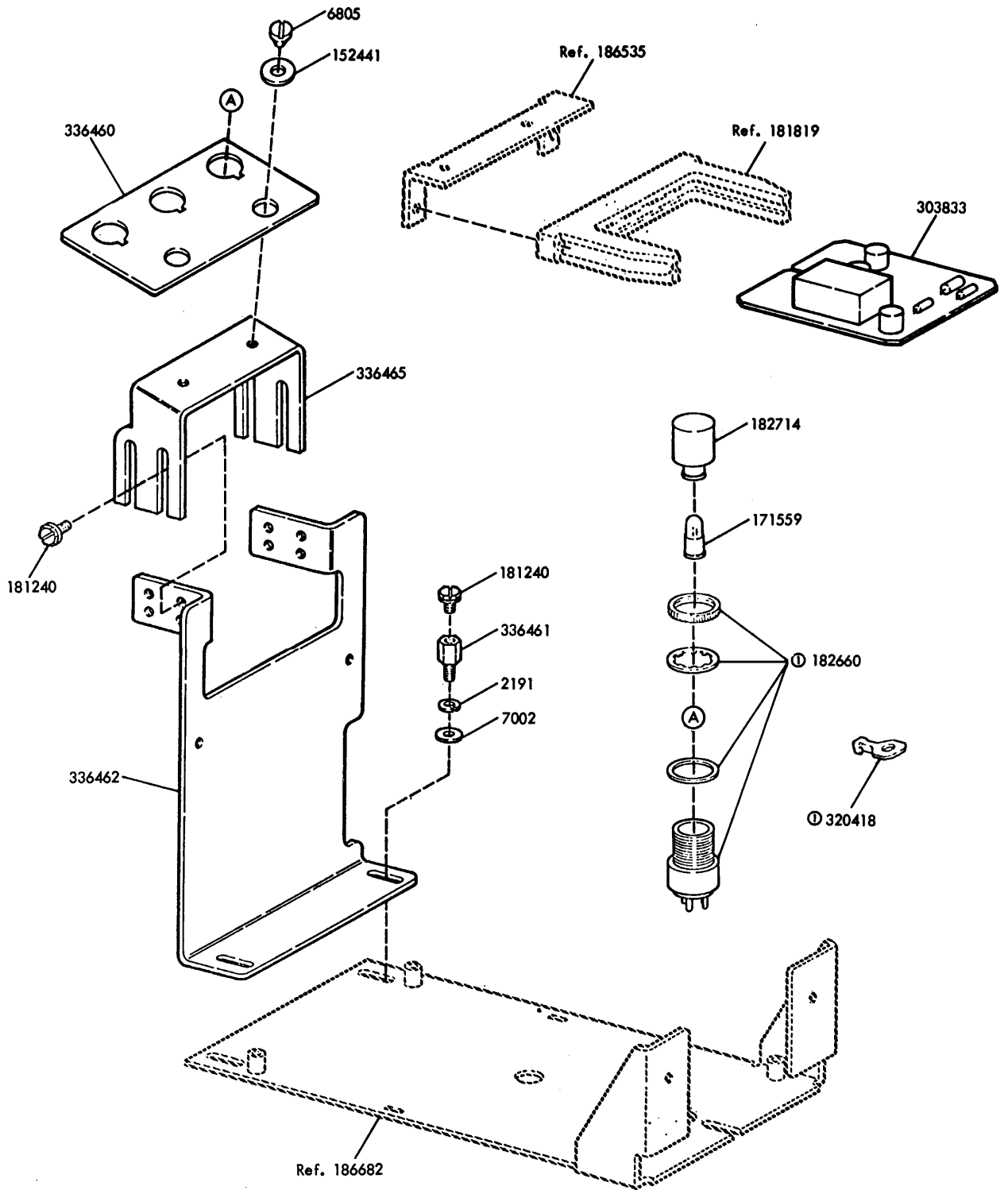


FIGURE 13. 186627 SET INTERFACE LOGIC ASSEMBLY



© 336471 Cable Assembly

FIGURE 14. 186630 MODIFICATION KIT TO PROVIDE BREAK DETECTION AND INDICATION

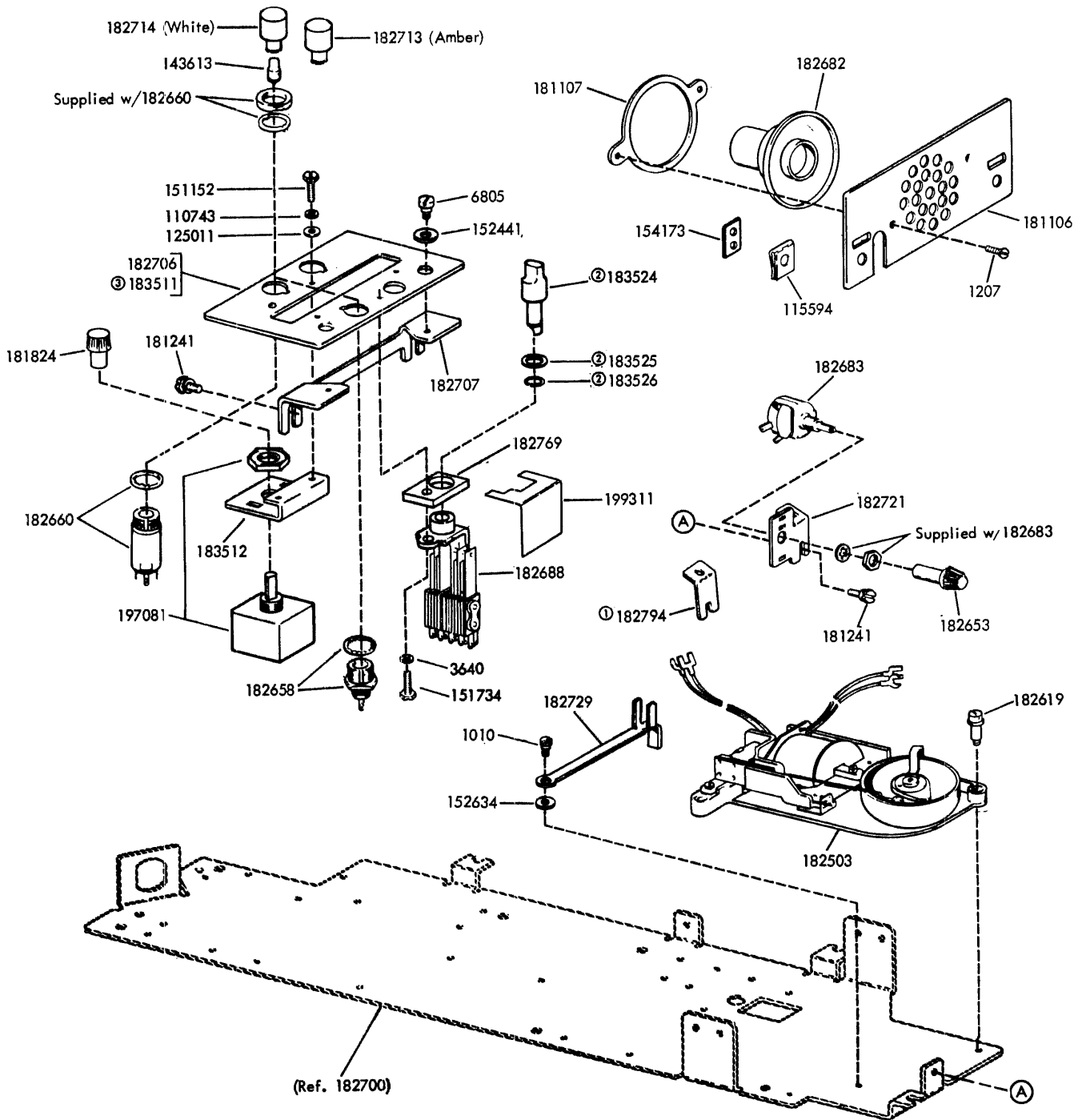


FIGURE 15. ALARMS AND SPEAKER

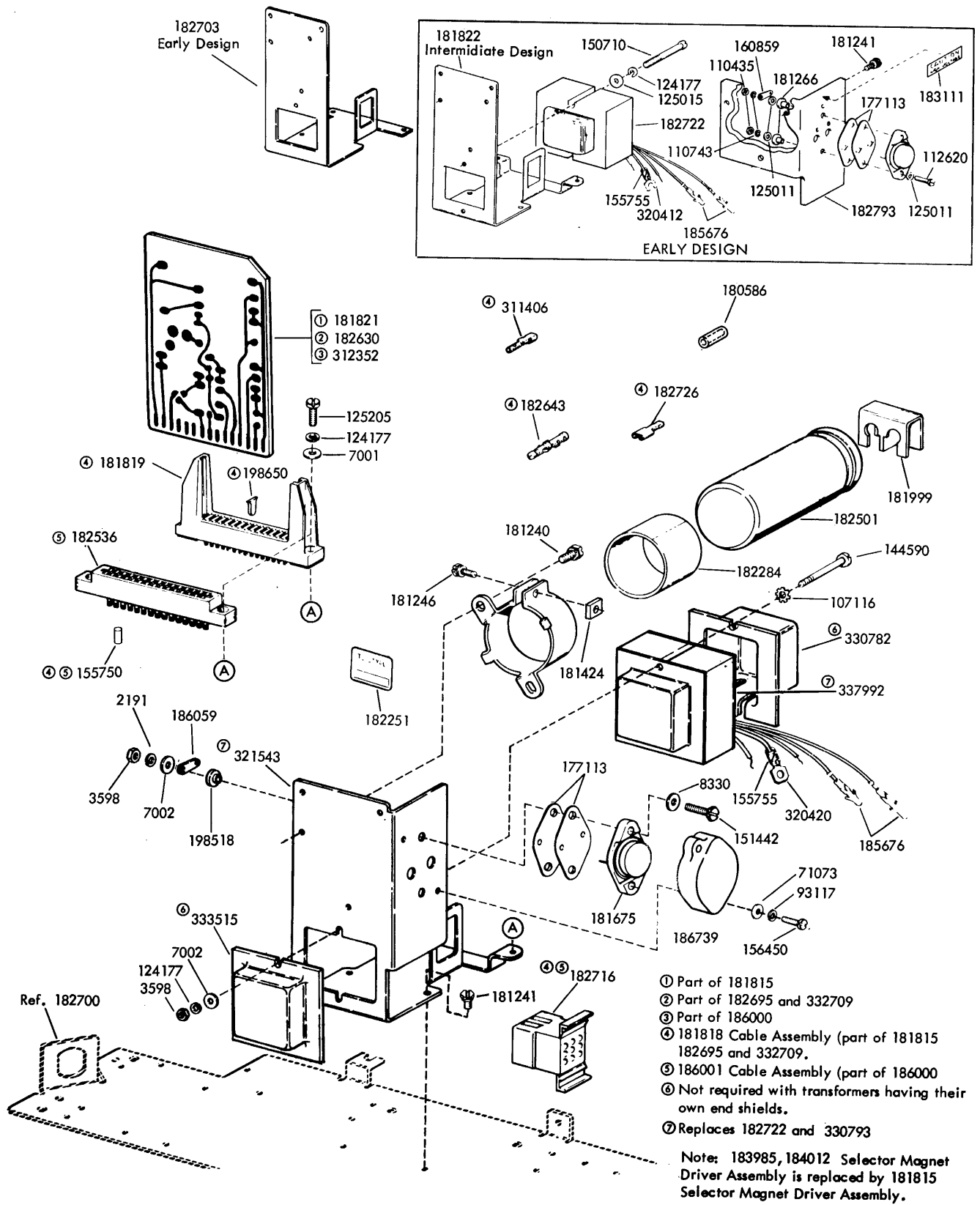
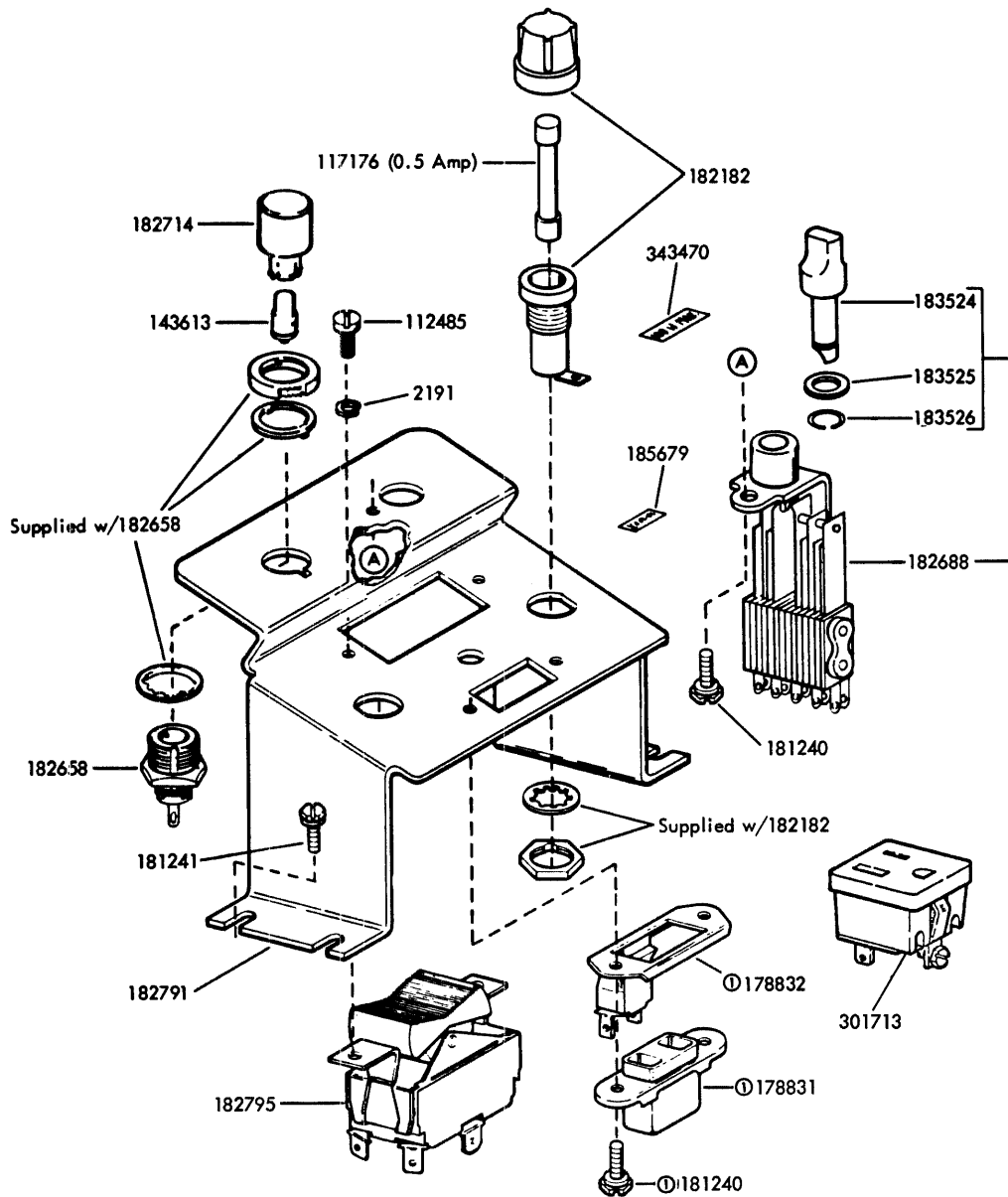


FIGURE 16. 181815, 182695, 186000 AND 332709 SELECTOR MAGNET DRIVER ASSEMBLIES



ⓐ Replaced by 301713

FIGURE 17. RECEIVE-ONLY BRACKET COMPONENTS

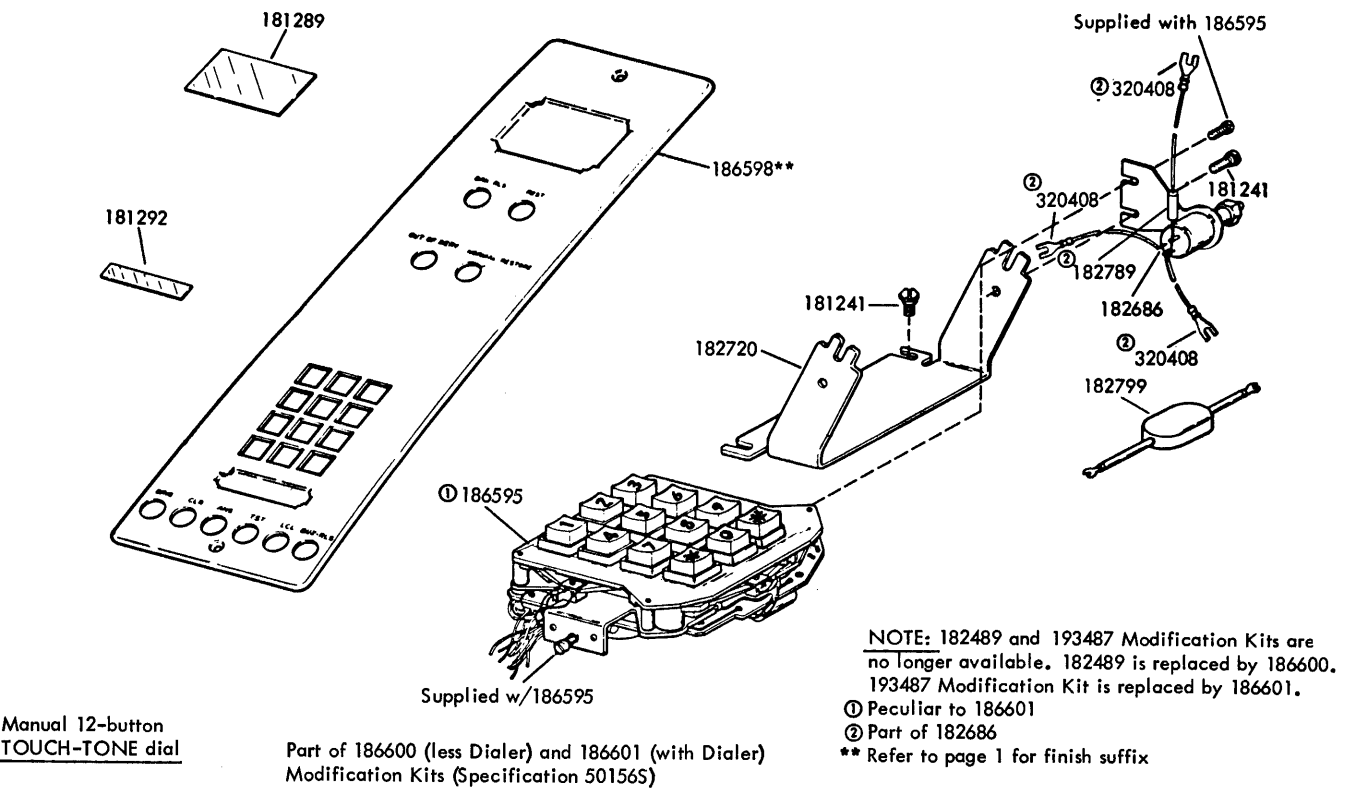
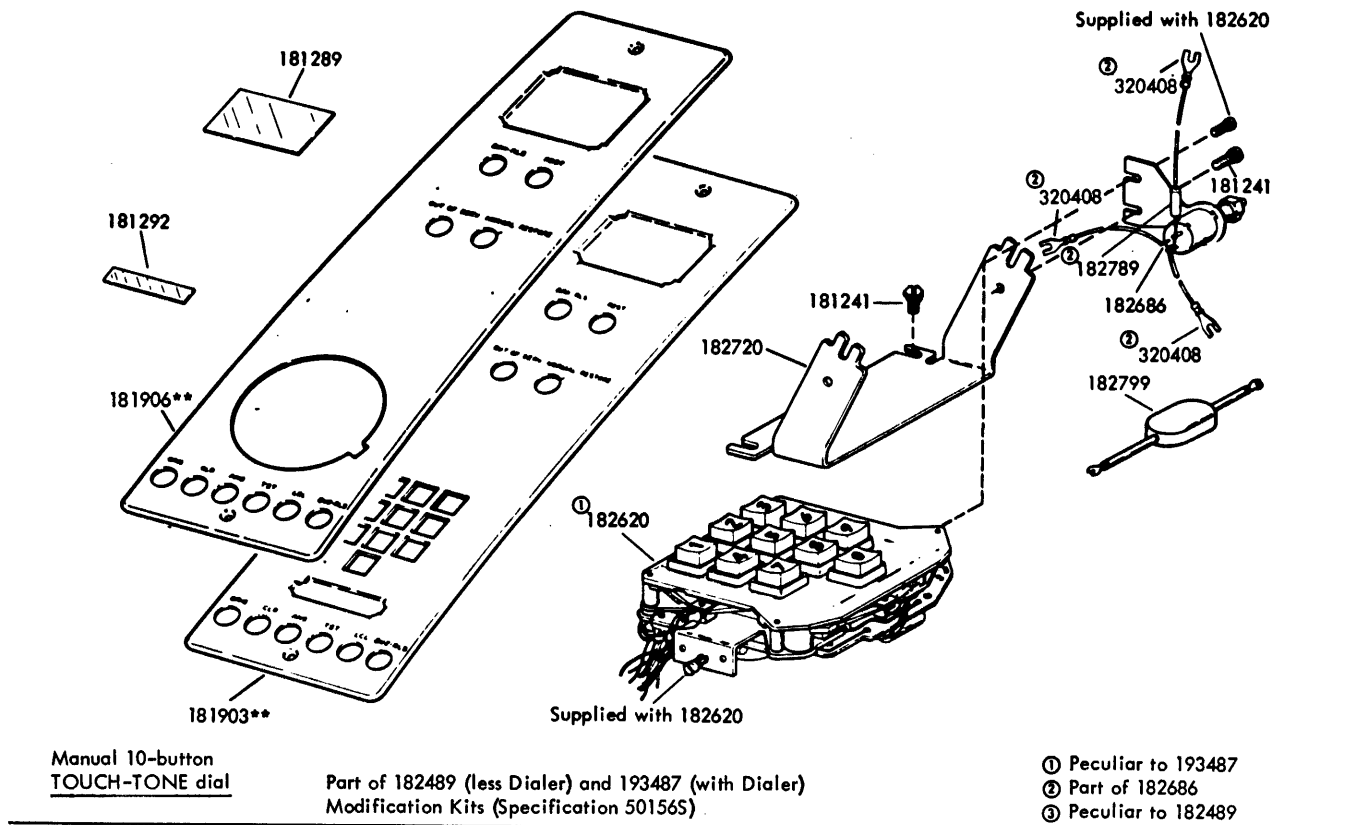
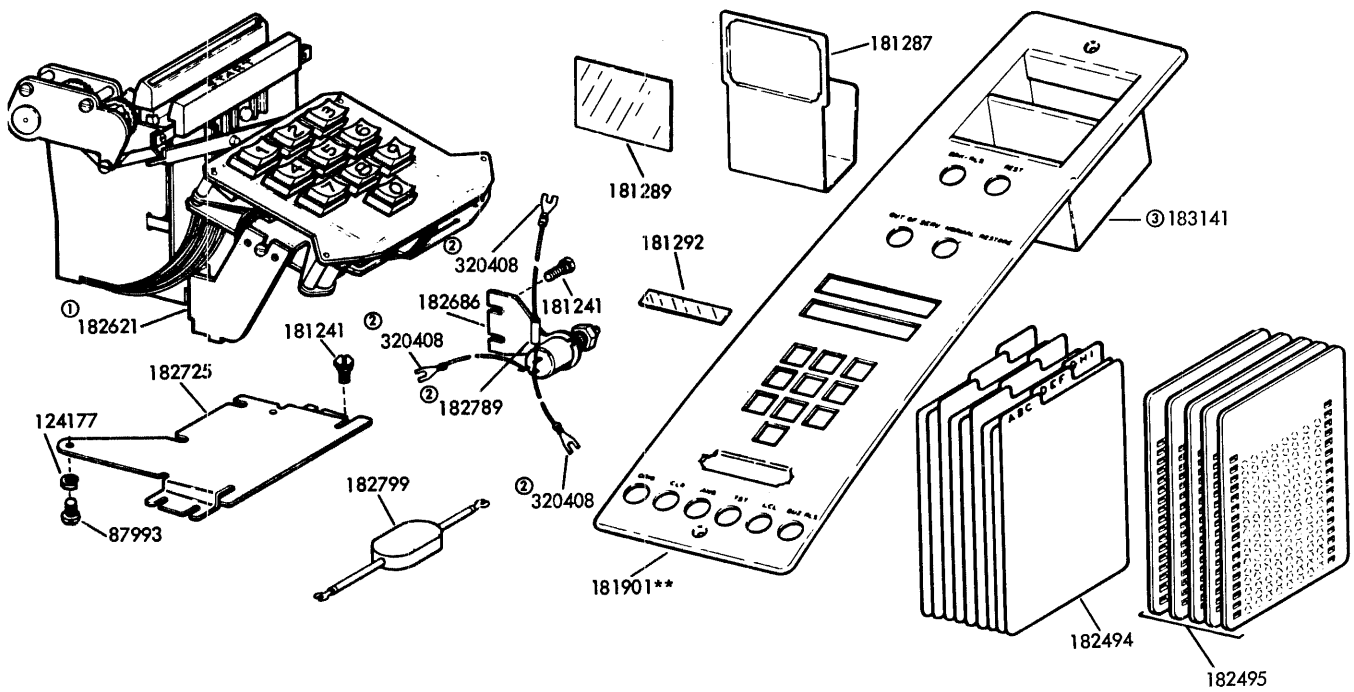


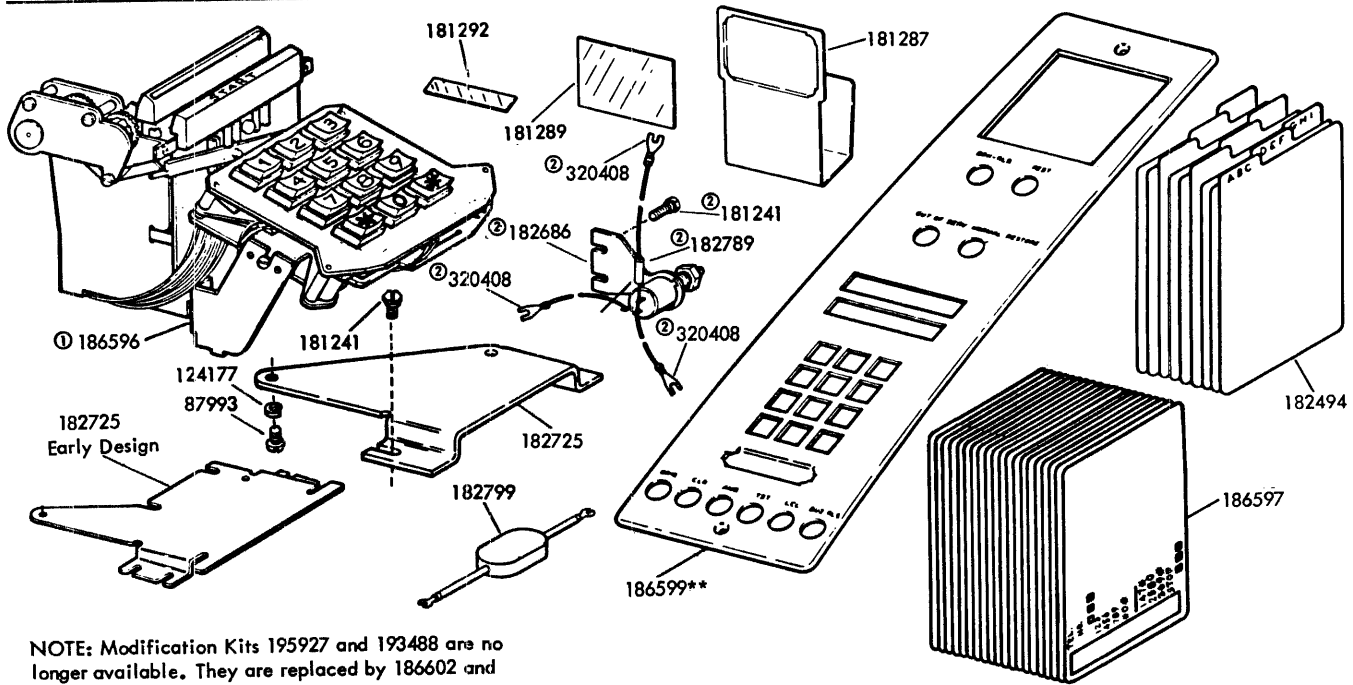
FIGURE 18. 182489, 193487, 186600 AND 186601 DIAL MODIFICATIONS



Manual 10-button
TOUCH-TONE and Card Dial

Part of 195927 (less Dialer) and 193488 (with Dialer)
Modification Kits (Specification 501405)

- ① Peculiar to 193488
- ② Part of 182686
- ③ Supplied as part of faceplate or can be ordered separately



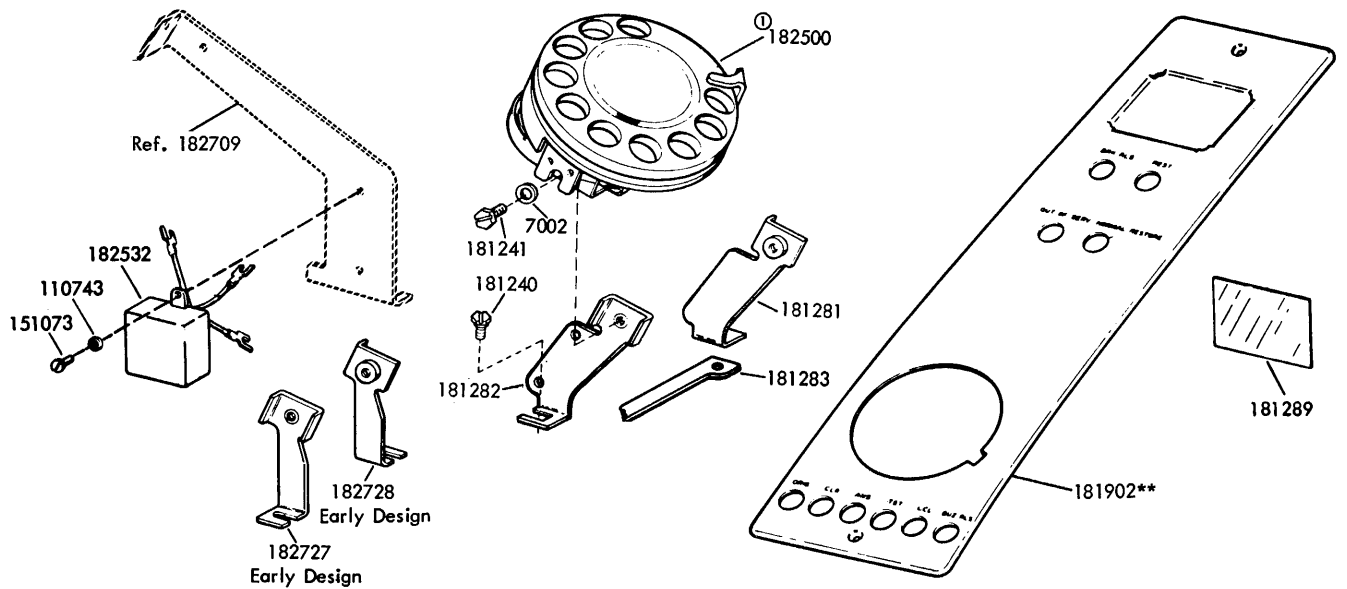
NOTE: Modification Kits 195927 and 193488 are no longer available. They are replaced by 186602 and 186603, respectively.

Manual 12-button
TOUCH-TONE and Card Dial

Part of 186602 (less Dialer) and 186603 (with Dialer)
Modification Kits (Specification 501405)

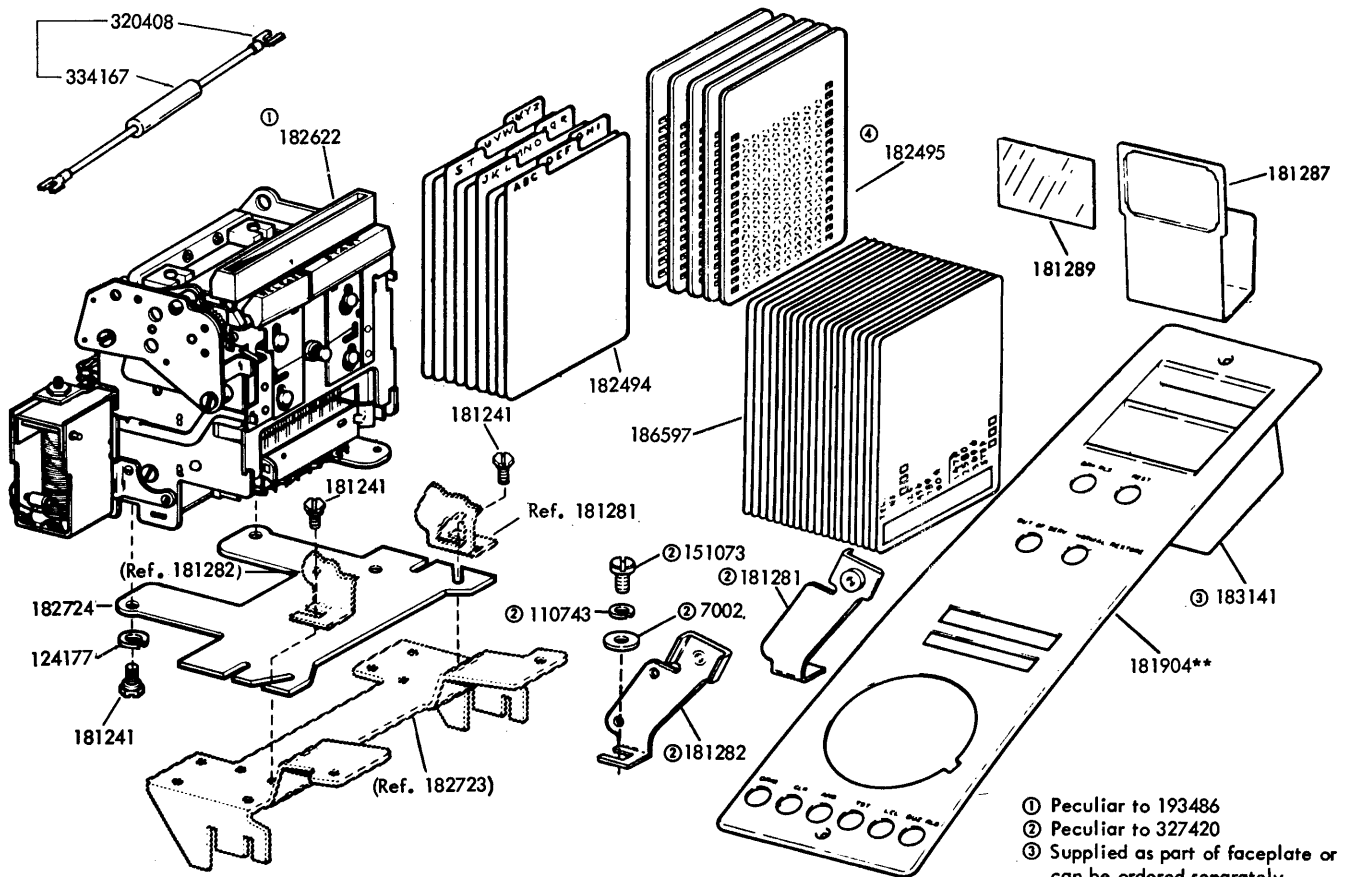
- ① Peculiar to 186603
- ② Part of 182686
- **Refer to page 1 for finish suffix

FIGURE 19. 186602, 186603, 193488 AND 195927 DIAL MODIFICATIONS



Rotary Dial Part of 193489 (with Dialer) and 195926 (less Dialer) Modification Kits (Specification 501565)

① Peculiar to 193489



DC Card Dial Part of 193486 (with Dial) and 195924 (less Dial) Modification Kits (Specification 501645) and 327420 (less Dial) Modification Kit (Specification 501565)

- ① Peculiar to 193486
- ② Peculiar to 327420
- ③ Supplied as part of faceplate or can be ordered separately
- ** Refer to page 1 for finish suffix
- ④ Replaced by 186597

FIGURE 20. 193486, 193489, 195924, 195926 AND 327420 DIAL MODIFICATIONS

| | | KEY ASSEMBLY PART LOCATION TABLE | | | | | |
|----------------|----------------|----------------------------------|------------------|--|--|--|------------------|
| POSITION | | 182581 | 182582 | | | | 182589 |
| F | Plunger Switch | | 182559 182562 | | | | 182559 |
| E | Plunger Switch | 182667 182562 | 182559 182561 | | | | 182559 182562 |
| D | Plunger Switch | 182667 181638 | 182559 182562 | | | | 182559 182562 |
| C | Plunger Switch | 182667 | 182559 182562 | | | | 182559 |
| B | Plunger Switch | 182667 182562 | 182559 182562 | | | | 182559 |
| A | Plunger Switch | | 182559 182562 | | | | 182559 182562 |
| Plunger Spring | | 182554 | 182554 | | | | 182554 |
| Lockout | | | 182556 | | | | 182556 |
| Latch Bar | | | 182666 | | | | 182666 |
| Latch Spring | | | 182535 | | | | 182535 |
| Bracket | | 181637 | 182557 | | | | 182557 |

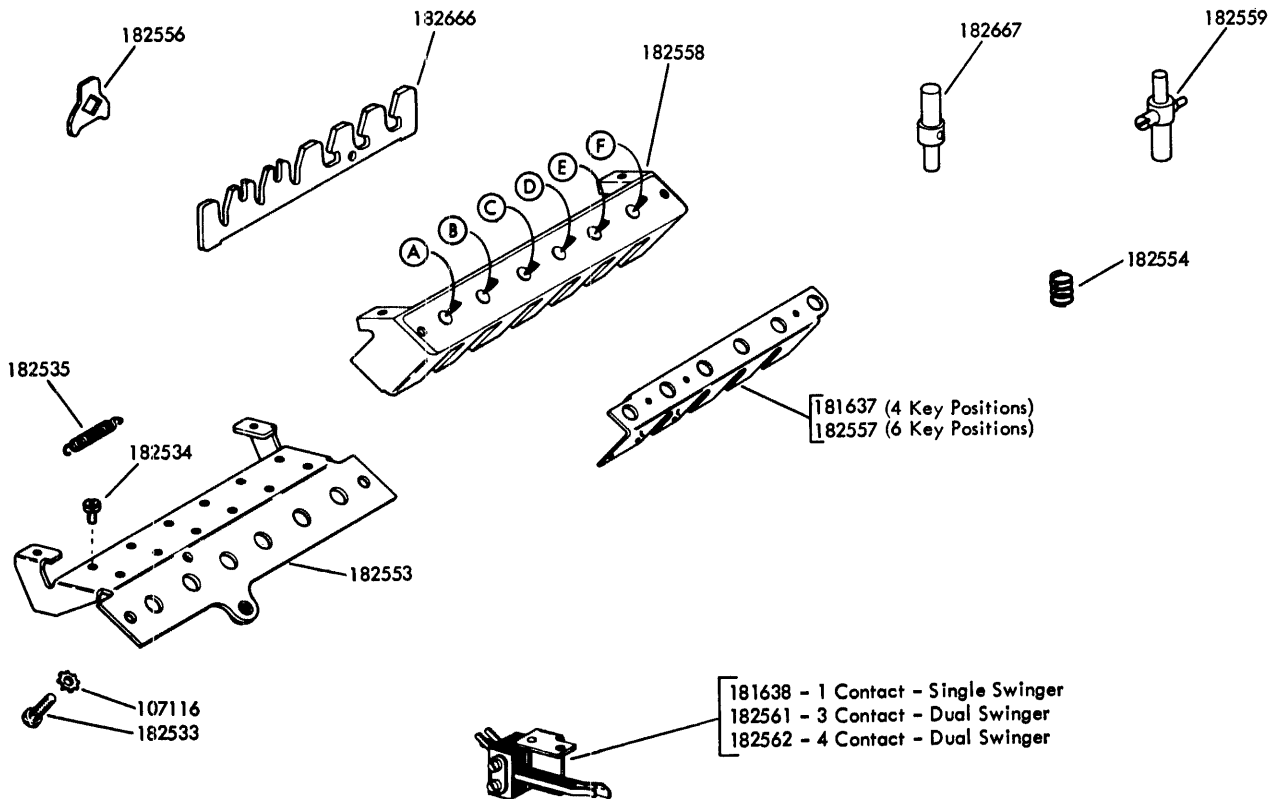


FIGURE 21. KEY ASSEMBLIES

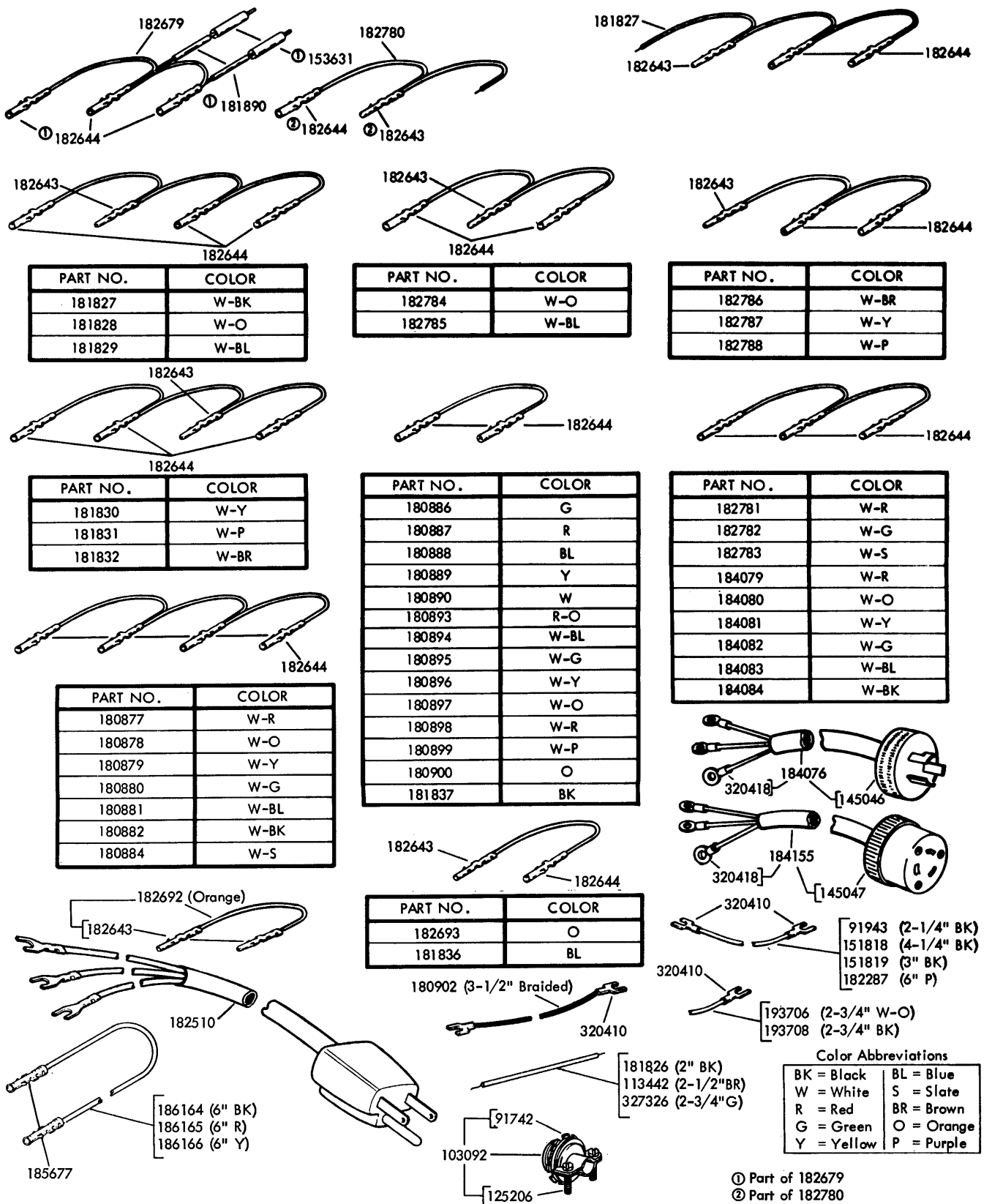
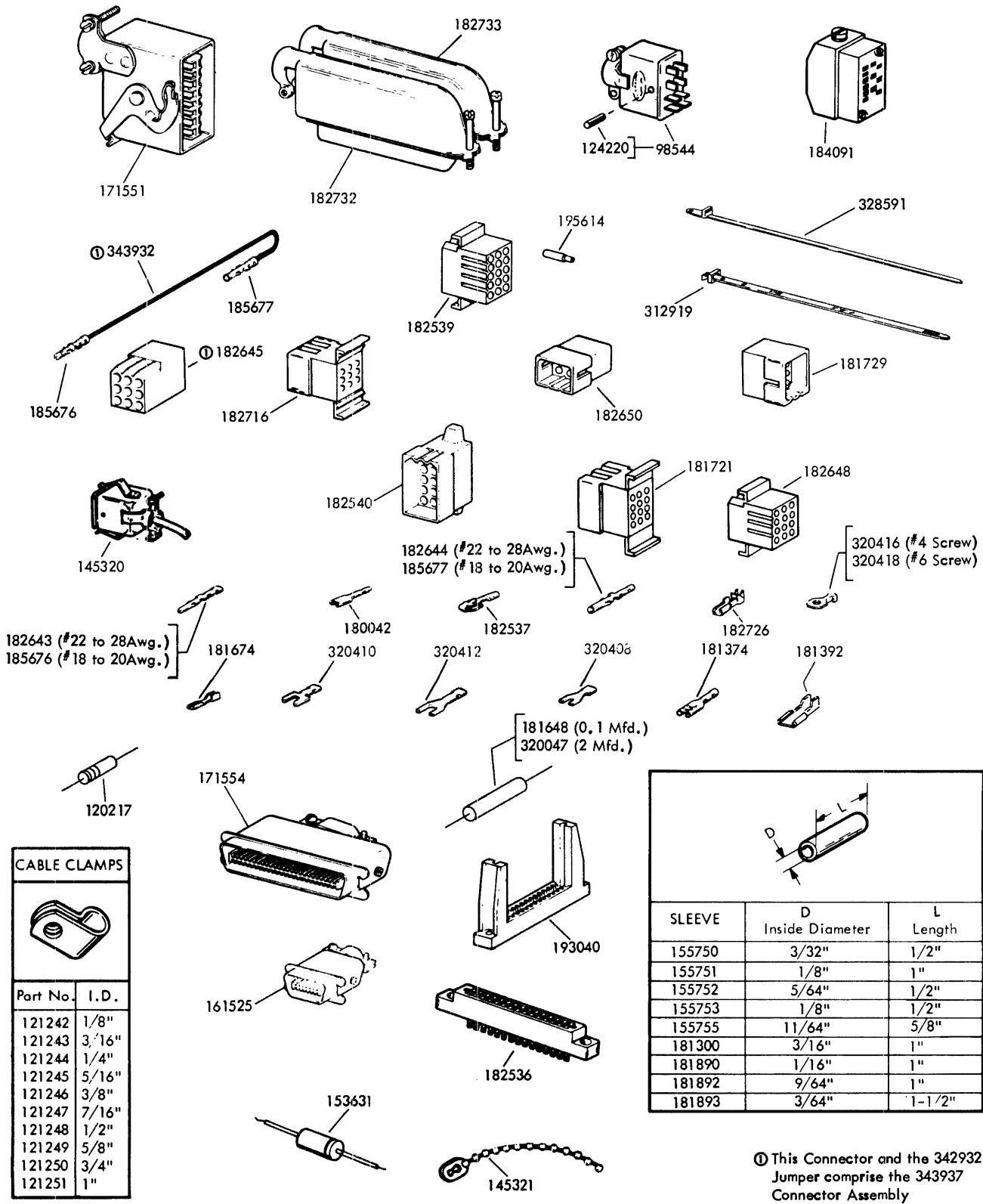


FIGURE 22. POWER CORDS AND JUMPERS

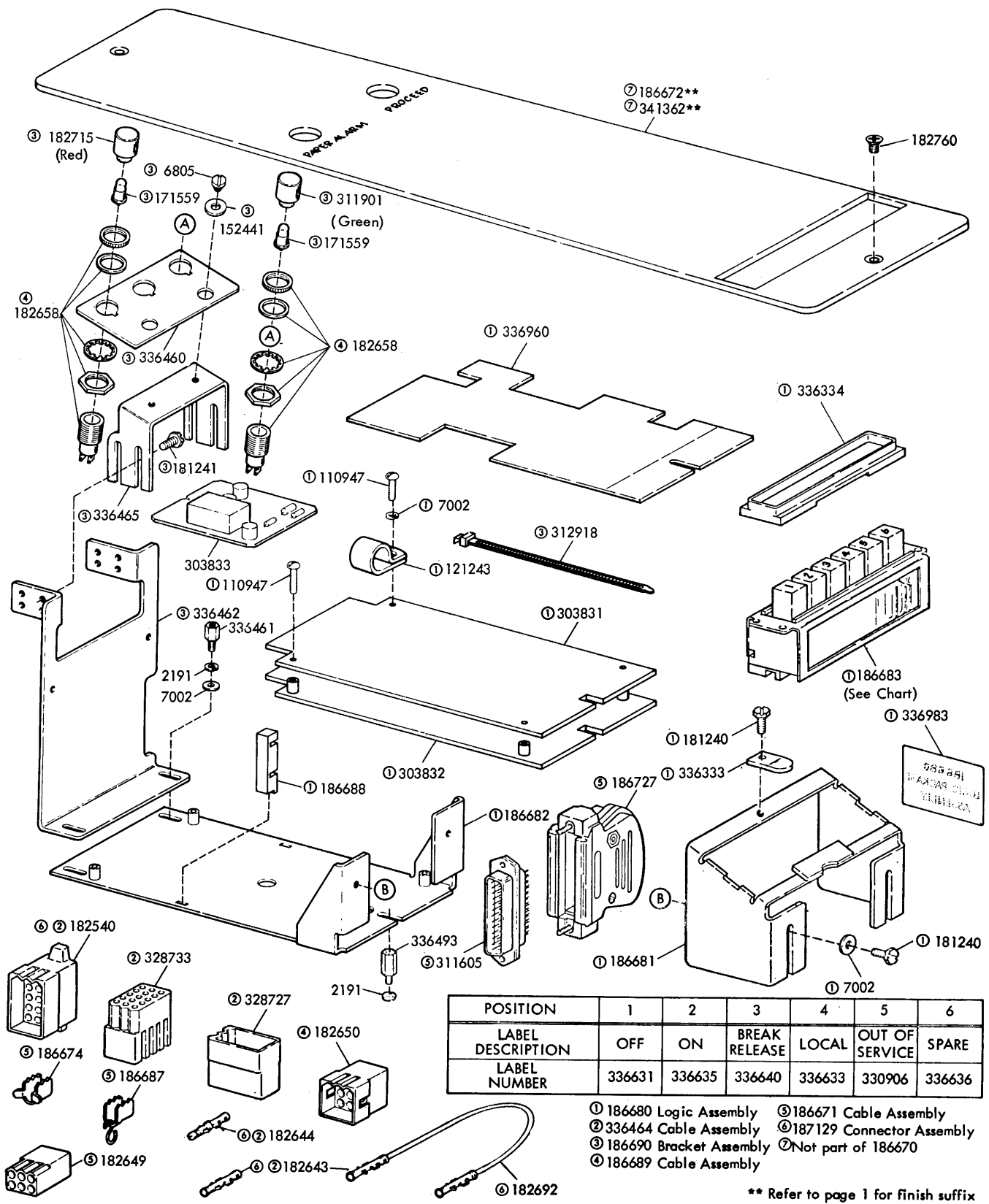


| CABLE CLAMPS | |
|--------------|-------|
| Part No. | I. D. |
| 121242 | 1/8" |
| 121243 | 3/16" |
| 121244 | 1/4" |
| 121245 | 5/16" |
| 121246 | 3/8" |
| 121247 | 7/16" |
| 121248 | 1/2" |
| 121249 | 5/8" |
| 121250 | 3/4" |
| 121251 | 1" |

| SLEEVE | | |
|--------|----------------------|-------------|
| | D Inside Diameter | L Length |
| 155750 | 3/32" | 1/2" |
| 155751 | 1/8" | 1" |
| 155752 | 5/64" | 1/2" |
| 155753 | 1/8" | 1/2" |
| 155755 | 11/64" | 5/8" |
| 181300 | 3/16" | 1" |
| 181890 | 1/16" | 1" |
| 181892 | 9/64" | 1" |
| 181893 | 3/64" | 1-1/2" |

Ⓢ This Connector and the 342932 Jumper comprise the 343932 Connector Assembly

FIGURE 23. CABLE COMPONENTS



| POSITION | 1 | 2 | 3 | 4 | 5 | 6 |
|-------------------|--------|--------|---------------|--------|----------------|--------|
| LABEL DESCRIPTION | OFF | ON | BREAK RELEASE | LOCAL | OUT OF SERVICE | SPARE |
| LABEL NUMBER | 336631 | 336635 | 336640 | 336633 | 330906 | 336636 |

- ① 186680 Logic Assembly ② 186671 Cable Assembly
- ② 336464 Cable Assembly ③ 187129 Connector Assembly
- ③ 186690 Bracket Assembly ④ Not part of 186670
- ④ 186689 Cable Assembly

** Refer to page 1 for finish suffix

FIGURE 24. 186670 MODIFICATION KIT TO PROVIDE PRIVATE LINE

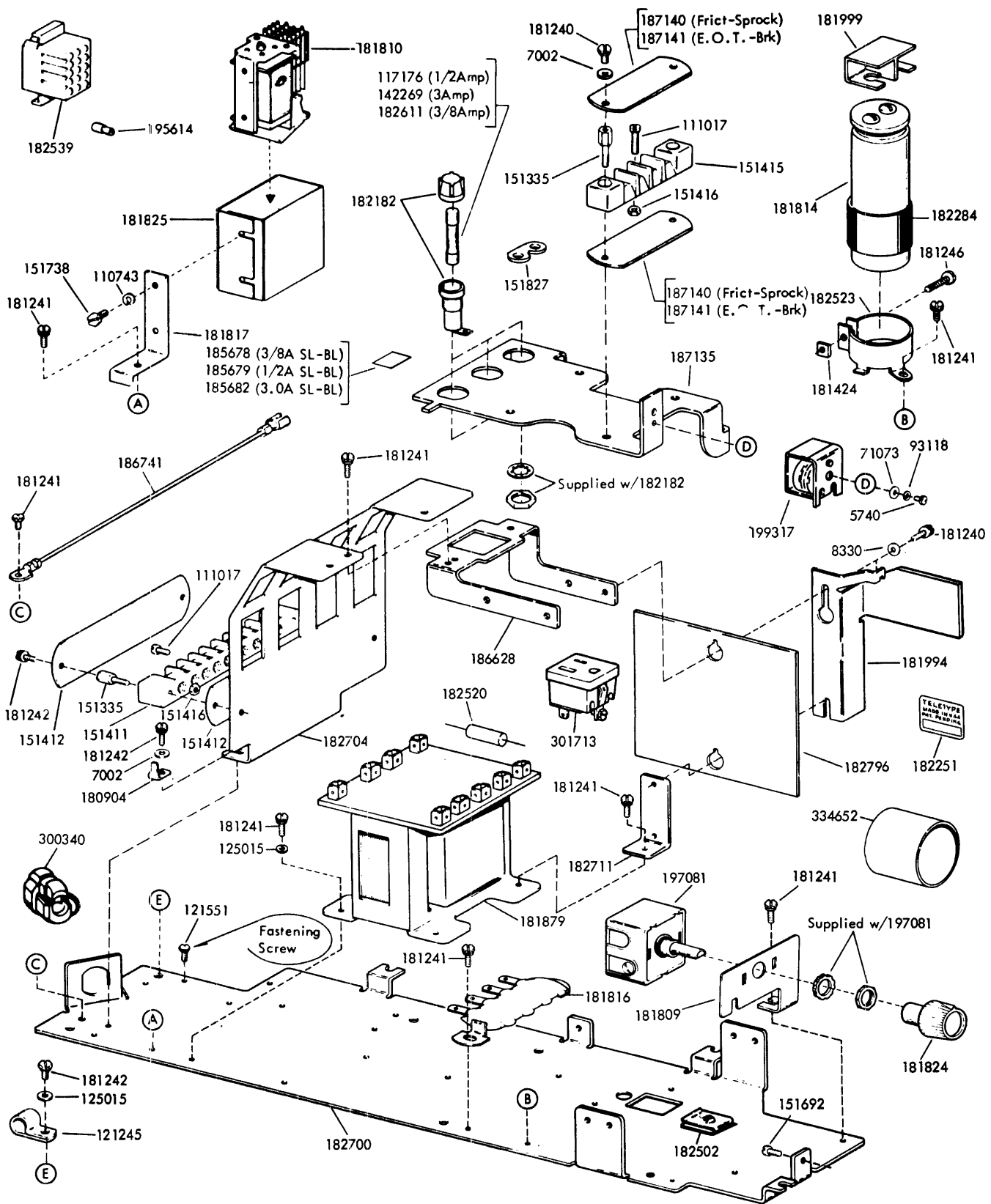


FIGURE 25. BASE PLATE AND ELECTRICAL COMPONENTS FOR PRIVATE WIRE SERVICE

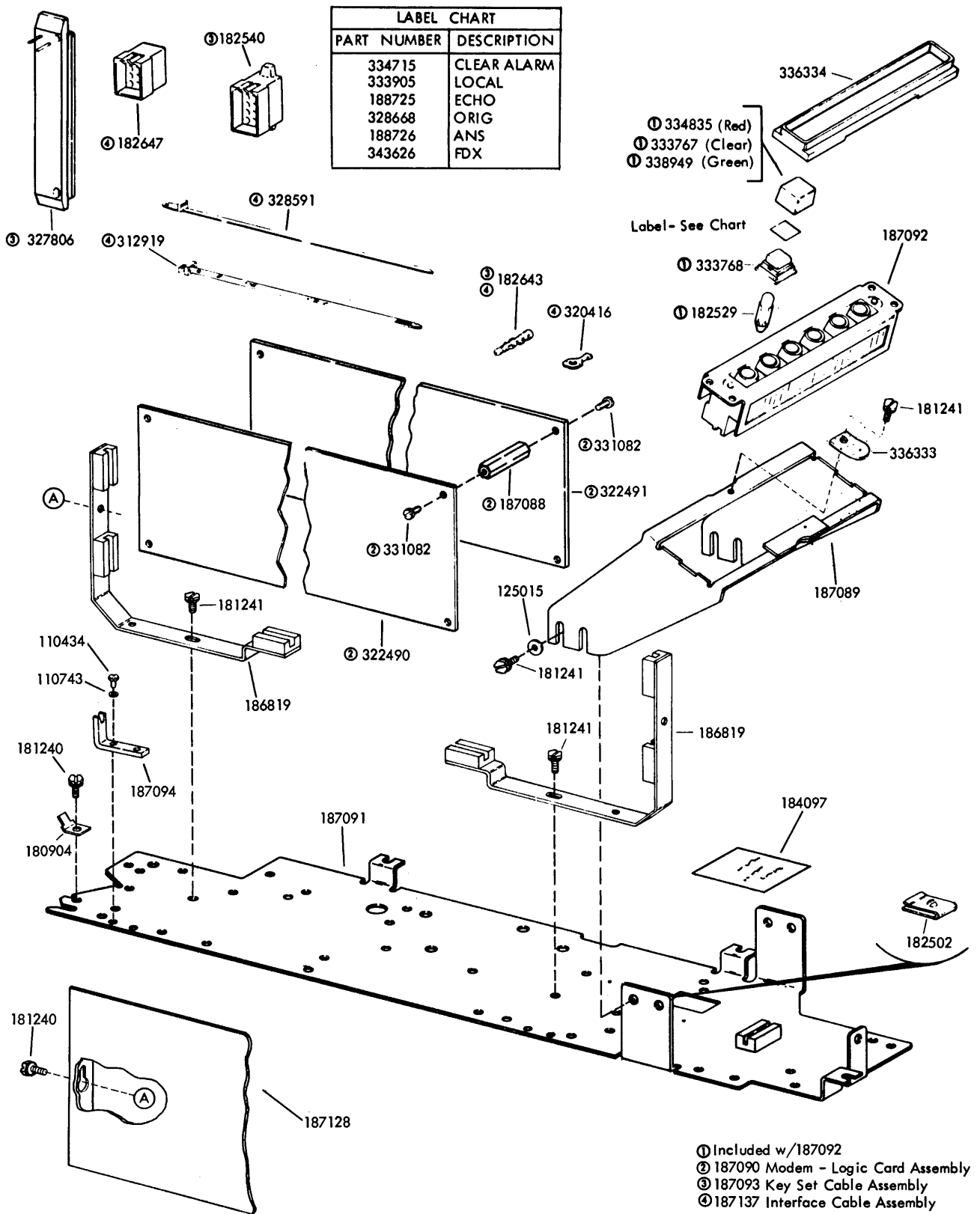


FIGURE 26. CALL CONTROL W/MODEM - LOGIC CARDS

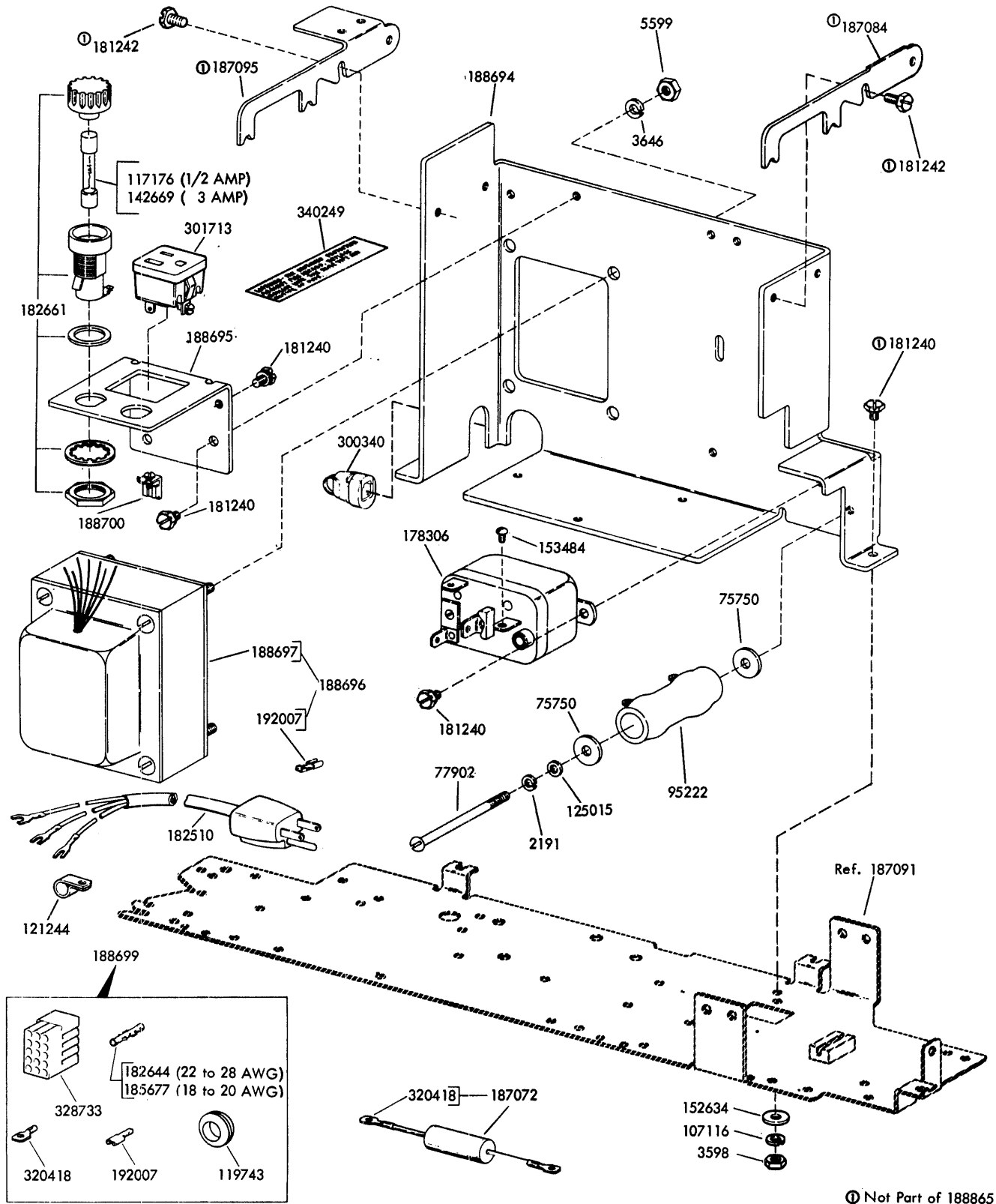
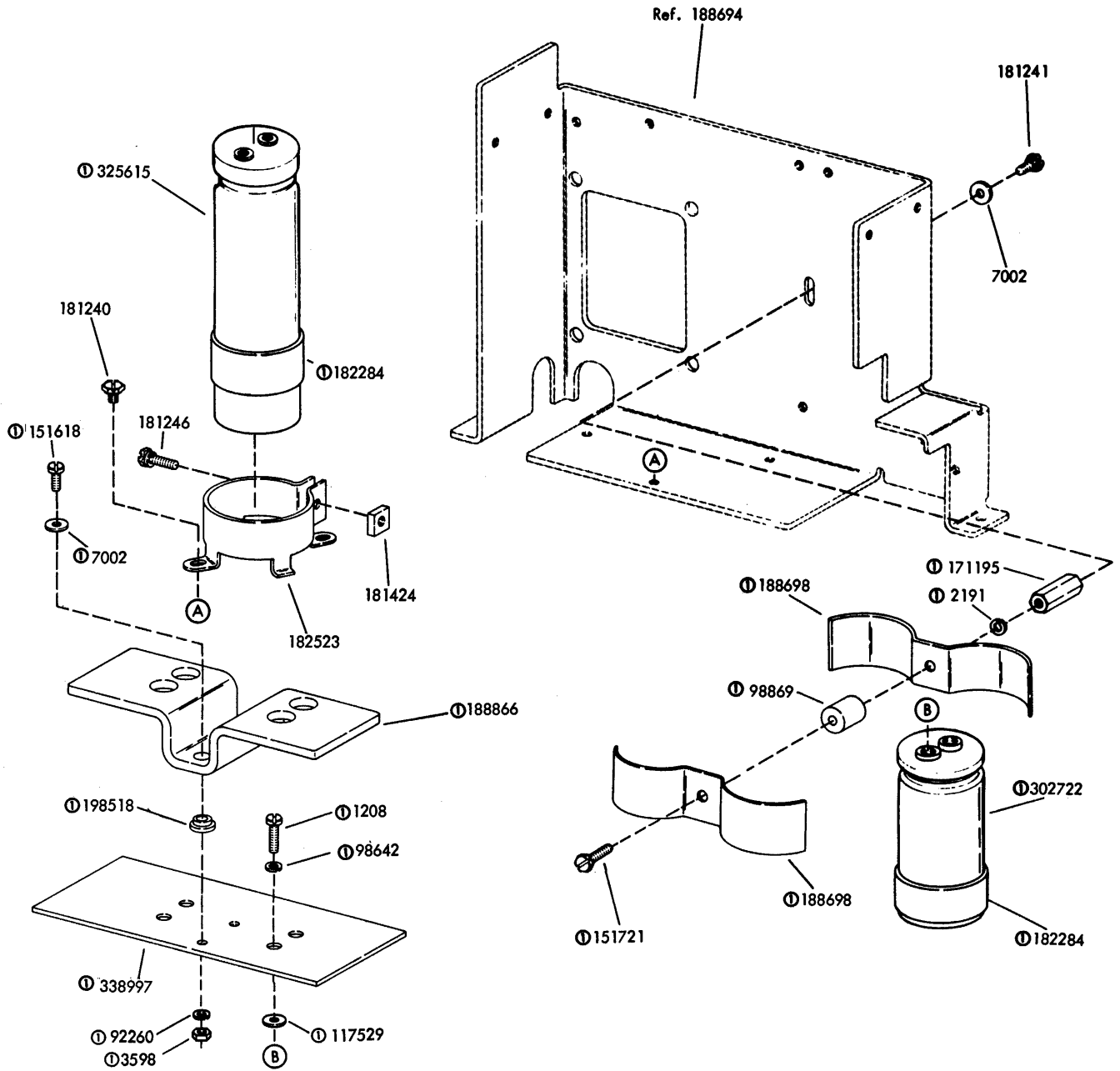


FIGURE 27. 188865 POWER SUPPLY ASSEMBLY



① 303846 Circuit Card Assembly

FIGURE 28. 188865 POWER SUPPLY ASSEMBLY (Continued)

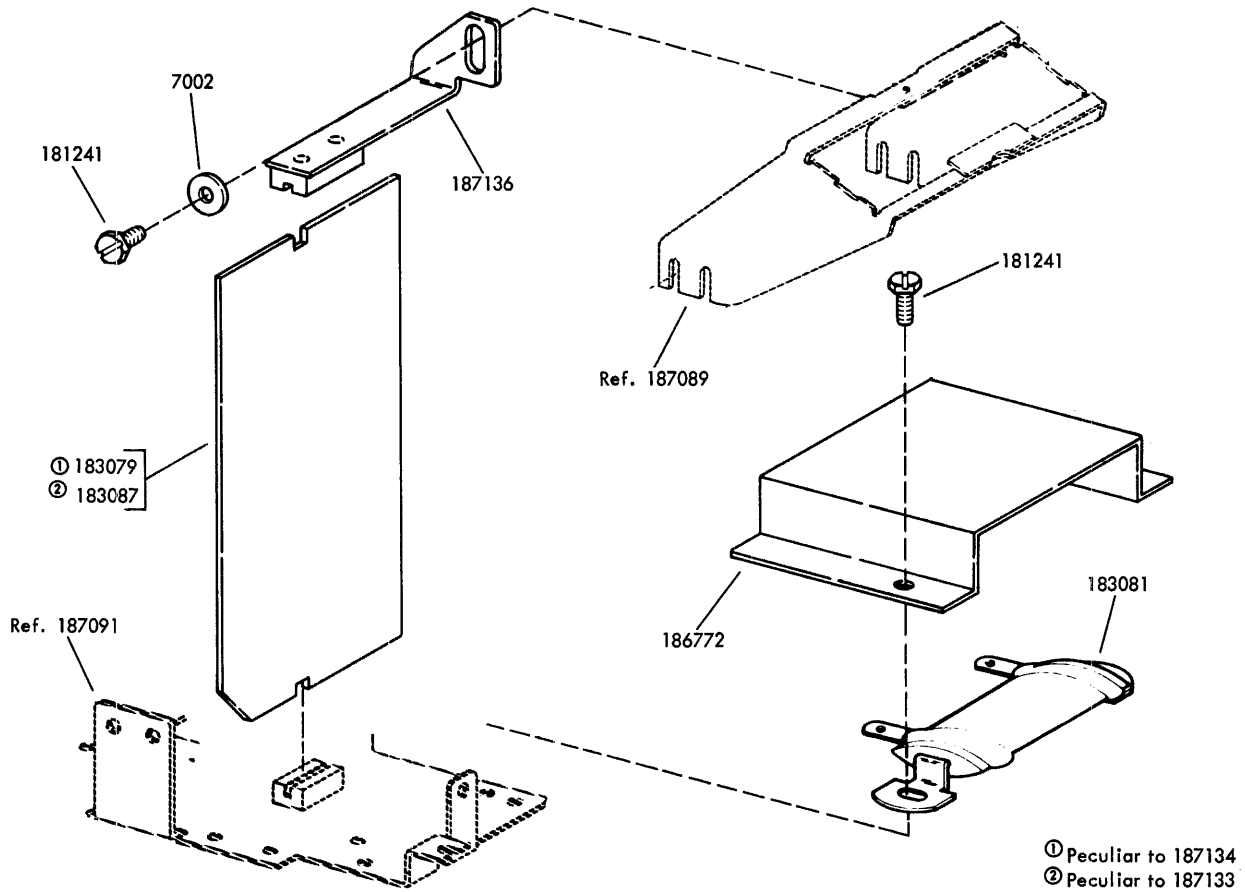


FIGURE 29. 187133 (MANUAL) AND 187134 (AUTOMATIC) READER CARD SET OF PARTS

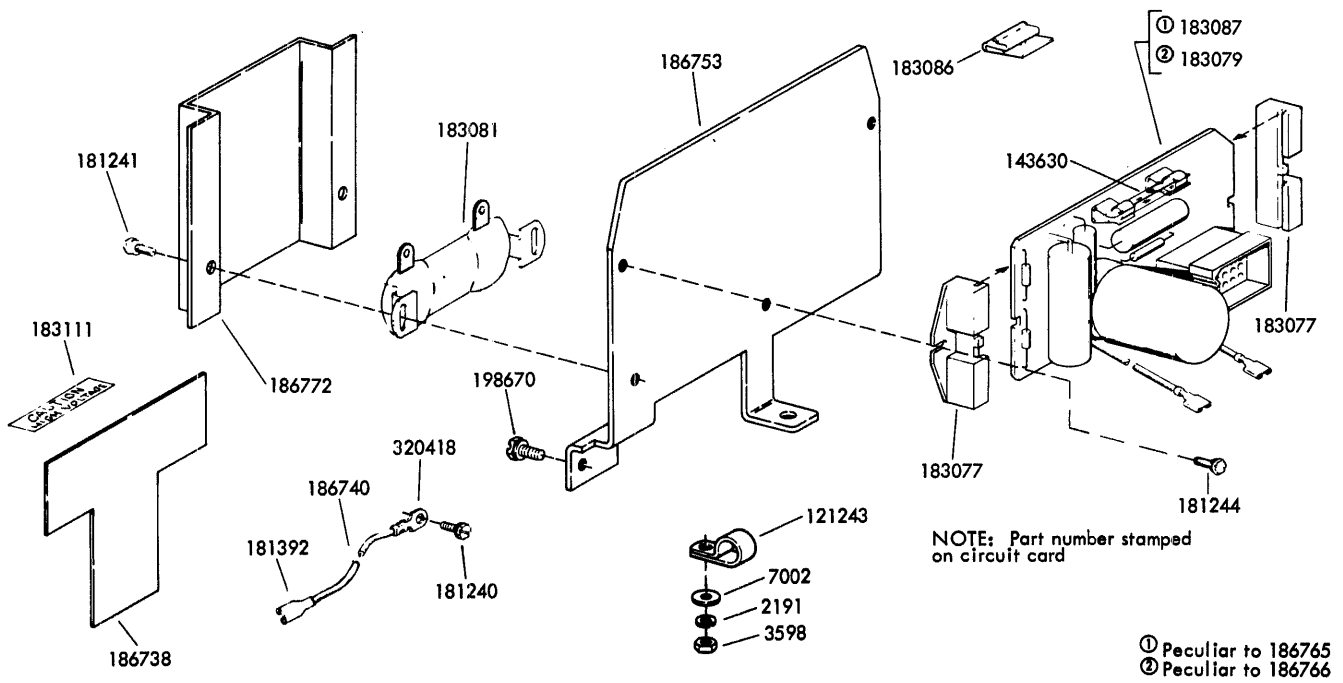


FIGURE 30. 186765 (MANUAL) AND 186766 (AUTOMATIC) READER POWER PACK ASSEMBLIES

NUMERICAL INDEX

| Part Number | Description and Page Number | Part Number | Description and Page Number | Part Number | Description and Page Number |
|-------------|---|-------------|--|-------------|---|
| 1010 | Screw, 6-40 Shoulder 16 | 110743 | Lockwasher 2,3,5,6,7,13, 16,17,21,26,27 | 145047 | Connector, 3 Pt Receptacle 23 |
| 1018 | Screw, 3-48 x 5/16 Fil 4 | 110947 | Screw, 6-32 x 13/16 Rd 25 | 145320 | Connector, 4 Pt Receptacle 24 |
| 1028 | Screw, 4-40 x 1/4 Fil 3 | 111017 | Screw, 6-40 x 5/16 Fil 3, 5,6,7,8,9,10,13,26 | 145321 | Tie, Cable 24 |
| 1207 | Screw, 4-36 x 5/16 Flat 16 | 111647 | Resistor, 1,000 Ohm 3 | 150710 | Screw, 6-40 x 1-1/4 Fil 9 17 |
| 1208 | Screw, 10-32 x 5/8 Fil 29 | 112485 | Screw, 6-32 x 1/4 Fil 2,18 | 150966 | Insulator, Terminal 3 |
| 2191 | Lockwasher 2,3,4,5,9, 10,11,12,13,15,17,18,25, 28,29,30 | 112620 | Screw, 4-40 x 1/2 Hex 3, 17 | 150978 | Screw, 6-40 x 1-1/8 Fil 4 |
| 3598 | Nut, 6-40 Hex 4,5,6,8,9, 10,13,17,28,29,30 | 113442 | Jumper, 2-1/2" Brown 23 | 150982 | Screw, 4-40 x 7/16 Fil 3 |
| 3606 | Nut, 6-40 Hex 4,12 | 115594 | Nut, Speed 16 | 151073 | Screw, 4-40 x 5/32 Fil 21 |
| 3640 | Lockwasher 11,16 | 117176 | Fuse, SL-BL 0.5 Amp 2,6, 8,18,26,28 | 151152 | Screw, 4-40 x 3/16 Hex 16 |
| 3646 | Lockwasher 9,28 | 117529 | Spacer, .281" Thk 29 | 151335 | Stud 3,5,6,8,9,10,13,26 |
| 3649 | Washer, Flat 4,6 | 119743 | Grommet, Rubber 28 | 151411 | Block, Terminal 5,6,8,9, 10,13,26 |
| 5599 | Nut, 8-32 Hex 9,28 | 120167 | Fuse, SL-BL 3.2 Amp 6,8,13 | 151412 | Insulator, Terminal 5,6, 8,9,10,13,26 |
| 5740 | Screw, 2-56 x 1/4 Fil 26 | 120217 | Resistor, 1200 Ohm 24 | 151415 | Block, Terminal 3,26 |
| 6347 | Screw, 6-32 x 3/8 Rd 14 | 121242 | Clamp, 1/8 ID Cable 7,24 | 151416 | Nut, 6-40 Hex 3,5,6,8, 9,10,13,26 |
| 6805 | Screw, 6-40 Shoulder 15, 16,25 | 121243 | Clamp, 3/16 ID Cable 24, 25,30 | 151442 | Screw, 6-40 x 1/2 Hex 4, 9,11,13,17 |
| 7001 | Washer, Flat 12,17 | 121244 | Clamp, 1/4 ID Cable 14,24 28 | 151618 | Screw, 6-40 x 7/16 Fil 13, 29 |
| 7002 | Washer, Flat 2 to 13, 15, 17,21,25,26,29,30 | 121245 | Clamp, 5/16 ID Cable 7,9, 24,26 | 151630 | Screw, 6-40 x 1/4 Hex 2 |
| 8330 | Washer, Flat 6,9,10,13, 17,26 | 121246 | Clamp, 3/8 ID Cable 24 | 151660 | Screw, 6-40 x 7/8 Fil 6, 12 |
| 42823 | Washer, Flat 5,6,13 | 121247 | Clamp, 7/16 ID Cable 7,24 | 151685 | Screw, 4-40 x 5/16 Fil 14 |
| 49054 | Screw, 2-56 x 3/16 Flat 11 | 121248 | Clamp, 1/2 ID Cable 24 | 151687 | Screw, 4-40 x 7/16 Fil 11 |
| 70072 | Lockwasher 4 | 121249 | Clamp, 5/8 ID Cable 24 | 151692 | Screw, 6-40 x 3/16 Fil 7,10,26 |
| 71073 | Washer, Flat 17,26 | 121250 | Clamp, 3/4 ID Cable 24 | 151693 | Screw, 6-40 x 9/16 Fil 4 |
| 75750 | Washer, Insulating 3,28 | 121251 | Clamp, 1 ID Cable 24 | 151721 | Screw, 6-40 x 3/4 Hex 29 |
| 77362 | Resistor, 350 Ohm 3 | 121551 | Screw, 8-32 x 1/4 Hex 2, 3,7,9,10,26 | 151731 | Screw, 4-40 x 7/8 Fil 5, 6,13 |
| 77902 | Screw, 6-40 x 2-3/8 Rd 3, 28 | 124177 | Lockwasher 4,6,7,10,17,20, 21,26 | 151734 | Screw, 4-40 x 3/8 Hex 16 |
| 87993 | Screw, 6-40 x 5/32 Fil 20 | 124220 | Pin, Drive 24 | 151738 | Screw, Spl 7,26 |
| 90787 | Screw, 4-40 x 3/8 Hex 2 | 125010 | Washer, Insulating 8 | 151818 | Jumper, 4-1/4" Black 23 |
| 91742 | Locknut 23 | 125011 | Washer, Flat 2,3,16,17 | 151819 | Jumper, 3" Black 23 |
| 91943 | Jumper, 2-1/4" Black 23 | 125015 | Washer, Flat 3,4,6,7,8,9, 17,26,27,28 | 151827 | Strap, Terminal 5,13,26 |
| 92260 | Lockwasher 2,13,29 | 125205 | Screw, 6-40 x 7/16 Fil 17 | 152441 | Washer, Flat 15,16,25 |
| 93117 | Lockwasher 17 | 125206 | Screw, 6-32 x 5/8 Fil 23 | 152634 | Washer, Flat 16,28 |
| 93118 | Lockwasher 26 | 138538 | Fuse, SL-BL 2 Amp 8,13 | 152893 | Screw, 4-40 x 1/4 Hex 2,3 |
| 95222 | Resistor, 40 Ohm 28 | 142269 | Fuse, SL-BL 3 Amp 8,9,10, 26 | 153484 | Screw, 6-32 Spl 3,13,28 |
| 96717 | Screw, 4-40 Shoulder 2 | 142669 | Fuse, SL-BL 3 Amp 28 | 153631 | Network, Spark Suppression 5,13,23,24 |
| 98544 | Connector, 8 Pt Plug 24 | 143613 | Lamp, 14V Incandescent 2,16,18 | 153799 | Screw, 4-40 x 21/64 Hex 3 |
| 98642 | Lockwasher 29 | 143630 | Fuse, .75 Amp 30 | 154173 | Plate 16 |
| 98726 | Screw, 3-48 x 1/4 Fil 4 | 144590 | Screw, 6-40 x 1-3/8 Fil 4,8,17 | 155750 | Sleeve, 3/32 ID x 1/2" Lg Insulating 11,17,24 |
| 98869 | Spacer 29 | 145046 | Connector, 3 Pt Plug 23 | | |
| 103092 | Connector, Cord 23 | | | | |
| 103469 | Screw, 4-40 Spl 11 | | | | |
| 107116 | Lockwasher 4,8,17,22,28 | | | | |
| 108463 | Terminal 4,9 | | | | |
| 110434 | Screw, 4-40 x 3/16 Fil 27 | | | | |
| 110435 | Nut, 4-40 Hex 17 | | | | |

NUMERICAL INDEX (Continued)

| Part Number | Description and Page Number | Part Number | Description and Page Number | Part Number | Description and Page Number |
|-------------|--|-------------|--|-------------|---|
| 155751 | Sleeve, 1/8 ID x 1" Lg Insulating 24 | 180886 | Jumper, 2-1/2" Green 23 | 181281 | Bracket, Right 21 |
| 155752 | Sleeve, 5/64 ID x 1/2" Lg Insulating 24 | 180887 | Jumper, 2-1/2" Red 23 | 181282 | Bracket, Left 21 |
| 155753 | Sleeve, 1/8 ID x 1/2" Lg Insulating 24 | 180888 | Jumper, 2-1/2" Blue 23 | 181283 | Spacer, .065" Thk 3,21 |
| 155755 | Sleeve, 11/64 ID x 5/8" Lg Insulating 11,17,24 | 180889 | Jumper, 2-1/2" Yellow 23 | 181287 | Holder, Card 20,21 |
| 156450 | Screw, 2-56 x 1/2 Fil 17 | 180890 | Jumper, 2-1/2" White 23 | 181289 | Window, Plastic 19,20,21 |
| 156880 | Jumper, 2-3/8" Black 14 | 180893 | Jumper, 2-1/2" Red-Orange 23 | 181292 | Window, Plastic 19,20 |
| 159404 | Post 11 | 180894 | Jumper, 2-1/2" White-Blue 23 | 181297 | Cover, Insulating 5,6,8,9,10 |
| 159597 | Washer, Flat 2 | 180895 | Jumper, 2-1/2" White-Green 23 | 181300 | Sleeve, 3/16 ID x 1" Lg Insulating 24 |
| 159931 | Clamp 6,7 | 180896 | Jumper, 2-1/2" White-Yellow 23 | 181374 | Terminal, Tab Type 24 |
| 159932 | Keeper 6,7 | 180897 | Jumper, 2-1/2" White-Orange 23 | 181392 | Terminal, Tab Type 10,24,30 |
| 160859 | Terminal 17 | 180898 | Jumper, 2-1/2" White-Red 23 | 181424 | Nut, 6-40 Sq 7,9,17,26,29 |
| 161525 | Connector, 14 Pt Plug 24 | 180899 | Jumper, 2-1/2" White-Purple 23 | 181631 | Strip Assembly, Lamp 2 |
| 162360 | Fuse, SL-BL .8 Amp 6,9,13 | 180900 | Jumper, 2-1/2" Orange 23 | 181632 | Button Assembly 2 |
| 165168 | Key 11 | 180902 | Jumper, 3-1/2" Braided 23 | 181637 | Bracket 22 |
| 171195 | Post 29 | 180904 | Tab, Terminal 5,6,8,9,12,26,27 | 181638 | Contact Assembly 22 |
| 171441 | Resistor, 560 Ohm 11 | 181106 | Plate, Baffle 16 | 181645 | Dial, Rotary 2 |
| 171536 | Resistor, 2,250 Ohm 5 | 181107 | Bracket 16 | 181648 | Capacitor, .1 MFD 24 |
| 171551 | Connector, 16 Pt Plug 24 | 181196 | Ring, Retaining 7 | 181661 | Buzzer, 115V ac 2 |
| 171554 | Connector, 50 Pt Plug 24 | 181204 | Washer, Flat 11 | 181672 | Relay, Power 4 |
| 171559 | Lamp, 28V Incandescent 11,15,25 | 181240 | Screw w/Lockwasher, 6-40 x 3/16 Hex 2,6,8,9,10,12,13,15,17,18,21,25,26,27,28,29,30 | 181674 | Terminal, Tab Type 24 |
| 171593 | Fuse, .5 Amp 8 | 181241 | Screw w/Lockwasher, 6-40 x 1/4 Hex 2 to 13,16,17,18,19,20,21,25,26,27,29,30 | 181675 | Transistor, Power 4,9,13,17 |
| 177113 | Insulator 4,9,13,17 | 181242 | Screw w/Lockwasher, 6-40 x 5/16 Hex 7,8,9,10,11,26,28 | 181721 | Connector, 12 Pt Plug Type 24 |
| 178306 | Relay, Power 13,28 | 181243 | Screw w/Lockwasher, 6-40 x 3/8 Hex 6 | 181729 | Connector Assembly 24 |
| 178535 | Suppressor, Spark 3,13 | 181244 | Screw w/Lockwasher, 6-40 x 7/16 Hex 30 | 181809 | Bracket, Switch 7,10,26 |
| 178831 | Connector, 2 Pt Receptacle 2,6,8,9,10,18 | 181245 | Screw w/Lockwasher, 6-40 x 3/8 Hex 9 | 181810 | Relay 7,26 |
| 178832 | Plate, Adapter 2,6,8,9,10,18 | 181246 | Screw w/Lockwasher, 6-40 x 5/8 Hex 7, 17,26,29 | 181814 | Capacitor, 250 MFD 7,26 |
| 178883 | Resistor, 1,500 Ohm 5 | 181263 | Timer, Hour 6 | 181815 | Driver Assembly, Selector Magnet 1,17 |
| 180042 | Terminal, Tab Type 24 | 181264 | Bracket 6,13 | 181816 | Resistor, 4,200 Ohm 7,26 |
| 180586 | Sleeve, 5/32 ID x 21/32" Lg Insulating 17 | 181265 | Timer w/Terminals 6 | 181817 | Bracket 7,26 |
| 180877 | Jumper, 2-3/4" White-Red 23 | 181266 | Bushing, Insulating 17 | 181819 | Connector, 15 Pt Circuit Card 12,13,15,17 |
| 180878 | Jumper, 2-3/4" White-Orange 23 | 181276 | Plate, Name 6,13 | 181821 | Card, Circuit 17 |
| 180879 | Jumper, 2-3/4" White-Yellow 23 | | | 181822 | Bracket 17 |
| 180880 | Jumper, 2-3/4" White-Green 23 | | | 181824 | Knob, Gray Pointer 7,9,10,16,26 |
| 180881 | Jumper, 2-3/4" White-Blue 23 | | | 181825 | Cover, Relay 7,26 |
| 180882 | Jumper, 2-3/4" White-Black 23 | | | 181826 | Jumper, 2" Black 23 |
| 180884 | Jumper, 2-3/4" White-Slate 23 | | | 181827 | Jumper, 2-3/4" White-Black 23 |
| | | | | 181828 | Jumper, 2-3/4" White-Orange 23 |
| | | | | 181829 | Jumper, 2-3/4" White-Blue 23 |
| | | | | 181830 | Jumper, 2-3/4" White-Yellow 23 |

NUMERICAL INDEX (Continued)

| Part Number | Description and Page Number | Part Number | Description and Page Number | Part Number | Description and Page Number |
|-------------|---|-------------|--|-------------|---------------------------------------|
| 181831 | Jumper, 2-3/4" White-Purple 23 | 182523 | Clamp, 1-3/8" ID Mounting 7,9,26,29 | 182648 | Connector, 12 Pt Receptacle Type 24 |
| 181832 | Jumper, 2-3/4" White-Brown 23 | 182524 | Button Assembly 3 | 182649 | Connector, 6 Pt Receptacle Type 25 |
| 181836 | Jumper, 4-1/2" Blue 23 | 182527 | Screw, 4-40 Shoulder 2 | 182650 | Connector, 6 Pt Plug Type 24,25 |
| 181837 | Jumper, 4-1/2" Black 23 | 182529 | Lamp, 10 V 2,3,27 | 182653 | Knob 16 |
| 181840 | Plate, Name 8 | 182532 | Filter 21 | 182657 | Transformer, Power 6 |
| 181842 | Plate, Name 8 | 182533 | Screw, 6-32 x 5/16 Rd 22 | 182658 | Socket, Lamp 2,11,16,18,25 |
| 181844 | Plate, Name 8,9 | 182534 | Screw, 4-40 Spl 22 | 182660 | Switch, Pushbutton 15,16 |
| 181845 | Plate, Name 6,8 | 182535 | Spring 22 | 182661 | Holder, Fuse 5,28 |
| 181857 | Plate 9 | 182536 | Connector, 15 Pt Circuit Card 4,6,17,24 | 182666 | Bar, Latch 22 |
| 181879 | Transformer, Power 8,26 | 182537 | Terminal, Tab Type 24 | 182667 | Plunger 22 |
| 181882 | Bracket, Switch 9 | 182539 | Connector, 15 Pt Receptacle Type 5,6,8,10,13,24,26 | 182669 | Relay, Power 3 |
| 181890 | Sleeve, 1/16 ID x 1" Lg Insulating 23,24 | 182540 | Connector, 15 Pt Plug Type 14,24,25,27 | 182679 | Jumper w/Spark Suppression 23 |
| 181892 | Sleeve, 9/64 ID x 1" Lg Insulating 24 | 182553 | Plate, Base 22 | 182682 | Speaker, 2" 16 |
| 181893 | Sleeve, 3/64 ID x 1-1/2" Lg Insulating 5,24 | 182554 | Spring, Compression 22 | 182683 | Resistor, 50 Ohm 1 |
| 181901** | Faceplate 20 | 182556 | Lockout 22 | 182684 | Strap 3 |
| 181902** | Faceplate 21 | 182557 | Bracket 22 | 182685 | Strap 3 |
| 181903** | Faceplate 19 | 182558 | Frame 22 | 182686 | Resistor Assembly 50,000 Ohm 19,20 |
| 181904** | Faceplate 21 | 182559 | Plunger 22 | 182688 | Switch, Turn Button 2,16,18 |
| 181906** | Faceplate 19 | 182561 | Contact Assembly 22 | 182692 | Jumper, 2-1/4" Orange 23,25 |
| 181994 | Bracket, Guide 8,26 | 182562 | Contact Assembly 22 | 182693 | Jumper, 2-1/4" Orange 23 |
| 181999 | Insulator 7,17,26 | 182563 | Plate w/Bracket 2 | 182695 | Driver Assembly, Selector Magnet 1,17 |
| 182065 | Plate, Identification 8,9 | 182565 | Bracket 2 | 182696 | Cable Assembly 16 |
| 182066 | Plate, Identification 9 | 182566 | Bracket, Left 2 | 182700 | Plate, Base 3,6,7,8,16,17,26 |
| 182162 | Post 4 | 182569 | Clamp 5 | 182703 | Bracket 17 |
| 182173 | Spacer 9 | 182571 | Screw, 6-40 Shoulder 2 | 182704 | Bracket 6,8,10,26 |
| 182182 | Holder, Fuse 2,6,8,9,10,13,18,21,26 | 182576 | Bracket, Right 2 | 182706 | Plate, Pilot 16 |
| 182184 | Fuse, 2.8 Amp 8,9 | 182577 | Bracket 2 | 182707 | Bracket, Pilot 16 |
| 182193 | Insulator 3 | 182581 | Key Assembly 22 | 182708 | Bracket, Left 3 |
| 182251 | Plate, Identification 4,17,26 | 182582 | Key Assembly 22 | 182709 | Bracket, Right 3,21 |
| 182284 | Insulator, .015" Thk 7,17,26,29 | 182589 | Key Assembly 22 | 182710 | Bracket, Upper 6,8,10 |
| 182287 | Jumper, 6" Purple 6,23 | 182611 | Fuse, SL-BL 3/8 Amp 5,6,8,10,26 | 182711 | Bracket, Lower 6,8,26 |
| 182489 | Modification Kit 1,19 | 182615 | Pad 5 | 182713 | Cap, Amber Lens 16 |
| 182494 | Care Set, Index 20,21 | 182619 | Screw, 6-40 Shoulder 16 | 182714 | Cap, White Lens 2,11,15,16,18 |
| 182495 | Card Set, Dialing 20,21 | 182620 | Dial, Touch Tone 19 | 182715 | Cap, Red Lens 11,25 |
| 182500 | Dial, Rotary 21 | 182621 | Dial, Touch Tone Card 20 | 182716 | Connector, 9 Pt Plug Type 17,24 |
| 182501 | Capacitor, 1,500 MFD 4,9,17 | 182622 | Dial, DC Card 21 | 182717 | Board, Terminal 3 |
| 182502 | Nut, No. 14 Speed 2,3,7,9,10,12,26,27 | 182630 | Card, Circuit 12,17 | 182718 | Buzzer, 10V ac 3 |
| 182503 | Ringer w/Terminals 16 | 182643 | Terminal, Plug Type 5,10,14,17,23,24,25,27 | 182719 | Bracket, Guide 6 |
| 182510 | Cord, Power 23,28 | 182644 | Terminal, Receptacle Type 5,10,14,23,24,25,28 | | |
| 182520 | Rectifier 6,8,26 | 182645 | Connector, 9 Pt Receptacle Type 24 | | |
| | | 182647 | Connector, 12 Pt Plug Type 27 | | |

**Refer to page 1 for finish suffix

NUMERICAL INDEX (Continued)

| Part Number | Description and Page Number | Part Number | Description and Page Number | Part Number | Description and Page Number |
|-------------|---------------------------------|-------------|---|-------------|-----------------------------|
| 182720 | Bracket, Dial 19 | 183081 | Resistor, 850 Ohm 30 | 186164 | Jumper, 6" Black 23 |
| 182721 | Bracket 16 | 183086 | Clip 30 | 186165 | Jumper, 6" Red 23 |
| 182722 | Transformer w/Terminals 17 | 183087 | Card, Circuit 30 | 186166 | Jumper, 6" Yellow 23 |
| 182723 | Bracket 3,21 | 183111 | Label 13,17,30 | 186170 | Bracket 8 |
| 182724 | Plate, Dial 21 | 183141 | Holder, Card 20,21 | 186224 | Plate 2 |
| 182725 | Plate, Tone Dialer 20 | 183511 | Plate, Pilot 16 | 186318 | Timer w/Terminals 6 |
| 182726 | Terminal, Receptacle Type 17,24 | 183512 | Bracket, Switch 16 | 186423 | Insulator 12 |
| 182727 | Bracket, Left 21 | 183524 | Button, Turn 2,16,18 | 186424 | Plate 13 |
| 182728 | Bracket, Right 21 | 183525 | Washer, Flat 2,16,18 | 186425 | Plate, Base 12 |
| 182729 | Link, Ringer 16 | 183526 | Ring, Retaining 2,16,18 | 186426 | Bracket 12,13 |
| 182730 | Bracket, Support 3 | 183985 | Driver Assembly, Selector Magnet 1,17 | 186427 | Bracket 12 |
| 182731 | Post 6,12 | 184012 | Driver Assembly, Selector Magnet 1,17 | 186431 | Cable Assembly 13 |
| 182732 | Connector, 50 Pt Plug 24 | 184076 | Cable Assembly 23 | 186434 | Transformer 12 |
| 182733 | Connector, 50 Pt Receptacle 24 | 184079 | Jumper, White-Red 23 | 186438 | Card, Circuit 12 |
| 182750 | Card, Amplifier Circuit 6 | 184080 | Jumper, White-Orange 23 | 186439 | Card, Circuit 12 |
| 182760 | Screw, 6-32 Spl 25 | 184081 | Jumper, White-Yellow 23 | 186448 | Timer Assembly 5 |
| 182761 | Capacitor, 0.5 MFD 3 | 184082 | Jumper, White-Green 23 | 186463 | Post 12 |
| 182768 | Bracket, Fuse 8 | 184083 | Jumper, White-Blue 23 | 186465 | Timer Assembly 5 |
| 182769 | Block 11,16 | 184084 | Jumper, White-Black 23 | 186535 | Bracket 13,15 |
| 182780 | Jumper, 2-1/4" White-Black 23 | 184091 | Connector, 12 Pt Plug 24 | 186595 | Dial, Touch-Tone 19 |
| 182781 | Jumper, 2-3/4" White-Red 23 | 184097 | Plate 27 | 186596 | Dial, Touch-Tone 20 |
| 182782 | Jumper, 2-3/4" White-Green 23 | 184155 | Cable Assembly 23 | 186597 | Card Set, Dialing 20,21 |
| 182783 | Jumper, 2-3/4" White-Slate 23 | 184161 | Bracket 9 | 186598** | Faceplate 19 |
| 182784 | Jumper, 2-1/4" White-Orange 23 | 184162 | Connector, 22 Pt Circuit Card 9 | 186599** | Faceplate 20 |
| 182785 | Jumper, 2-1/4" White-Blue 23 | 184166 | Bracket 9 | 186600 | Modification Kit 1,19 |
| 182786 | Jumper, 2-1/4" White-Brown 23 | 184168 | Card, Circuit 9 | 186601 | Modification Kit 1,19 |
| 182787 | Jumper, 2-1/4" White-Yellow 23 | 184169 | Capacitor, 500-600 MFD 9 | 186602 | Modification Kit 1,20 |
| 182788 | Jumper, 2-1/4" White-Purple 23 | 184171 | Strip, Terminal 9 | 186603 | Modification Kit 1,20 |
| 182789 | Resistor, 200 Ohm 19,20 | 184193 | Transformer 9 | 186627 | Logic Assembly 1,14 |
| 182791 | Bracket 2,18 | 184209 | Insulator 9 | 186628 | Bracket 6,8,10,26 |
| 182793 | Plate, Heat Sink 17 | 185676 | Terminal, Plug Type 10, 17,24 | 186630 | Modification Kit 1,15 |
| 182794 | Bracket 16 | 185677 | Terminal, Receptacle Type 4,10,23,24,28 | 186637 | Card, Circuit 14 |
| 182795 | Switch, DP-DT 2,18 | 185678 | Plate, Identification 5,6,8,26 | 186645 | Bracket 8 |
| 182796 | Insulator, .032" Thk 6, 8,26 | 185679 | Plate, Identification 2,6,8,18,26 | 186647 | Board, Terminal 8 |
| 182799 | Capacitor, 20-30 MFD 19, 20 | 185680 | Plate, Identification 13 | 186651 | Transformer 8 |
| 183077 | Clamp, Circuit Card 30 | 185682 | Plate, Identification 8, 10,26 | 186670 | Modification Kit 1,25 |
| 183079 | Card, Circuit 30 | 185683 | Plate, Identification 6,8 | 186671 | Cable Assembly 25 |
| | | 185688 | Plate, Identification 6,13 | 186672** | Faceplate 25 |
| | | 186000 | Driver Assembly, Selector Magnet 1,17 | 186674 | Stayband 25 |
| | | 186001 | Cable Assembly 17 | 186680 | Logic Assembly 25 |
| | | 186059 | Terminal 4,9,13,17 | 186681 | Bracket 14,25 |
| | | 186060 | Screw, 6-40 Shoulder 2 | 186682 | Bracket 14,15,25 |
| | | | | 186683 | Key Assembly 14,25 |
| | | | | 186687 | Band w/S Hook 25 |
| | | | | 186688 | Block 25 |
| | | | | 186689 | Cable Assembly 25 |
| | | | | 186690 | Bracket Assembly, Lamp 25 |
| | | | | 186727 | Calmp 14,25 |
| | | | | 186738 | Insulator 30 |
| | | | | 186739 | Cover 17 |

**Refer to page 1 for finish suffix

NUMERICAL INDEX (Continued)

| Part Number | Description and Page Number | Part Number | Description and Page Number | Part Number | Description and Page Number |
|-------------|--------------------------------|-------------|--|-------------|--|
| 186740 | Jumper, 6" Green 30 | 193487 | Modification Kit 1,19 | 305454 | Transformer 4 |
| 186741 | Jumper, 9" Green 6,7,9, 26 | 193488 | Modification Kit 1,20 | 305688 | Card, Circuit 5 |
| 186753 | Bracket 30 | 193489 | Modification Kit 1,21 | 305689 | Card, Circuit 5 |
| 186765 | Power Pack 1,30 | 193706 | Jumper, 3" White-Orange 23 | 311406 | Terminal, Receptacle Type 13,17 |
| 186766 | Power Pack 1,30 | 193708 | Jumper, 3" Black 23 | 311605 | Connector, 25 Pt Plug 14,25 |
| 186768 | Bracket, Fuse 6 | 195614 | Pin, Key 5,6,8,10,24,26 | 311901 | Cap, Green 25 |
| 186772 | Cover 30 | 195618 | Jumper, 5-1/4" White-Purple 5 | 312352 | Card, Circuit 17 |
| 186819 | Bracket 27 | 195812 | Insulator, .032" Thk 8 | 312918 | Strap 25 |
| 187052 | Cover 13 | 195924 | Modification Kit 1,21 | 312919 | Strap, Cable 24,27 |
| 187069 | Barrier 4 | 195926 | Modification Kit 1,21 | 320047 | Capacitor, 2 MFD 24 |
| 187072 | Network 28 | 195927 | Modification Kit 1,20 | 320408 | Terminal, Spade Type 19, 20,21,24 |
| 187084 | Bracket 28 | 195940 | Stud 11 | 320410 | Terminal, Space Type 6,10, 13,23,24 |
| 187088 | Spacer 27 | 197028 | Terminal 10 | 302412 | Terminal, Spade Type 4,17, 24 |
| 187089 | Bracket 27,30 | 197054 | Jumper, 3" Black 10 | 320416 | Terminal, Ring Type 24,27 |
| 187090 | Card Assembly, Circuit 27 | 197081 | Switch, 3 Positions 7,9, 16,26 | 320418 | Terminal, Ring Type 13,15, 23,24,28,30 |
| 187091 | Plate, Base 27,28,30 | 197464 | Diode 11 | 320420 | Terminal, Ring Type 17 |
| 187092 | Key 27 | 197939 | Switch, Pushbutton 11 | 320423 | Plate 5 |
| 187093 | Cable Assembly 27 | 198515 | Card, Circuit 4 | 321543 | Bracket 17 |
| 187094 | Bracket 27 | 198517 | Bracket 4 | 322490 | Card, Circuit 27 |
| 187095 | Bracket 28 | 198518 | Bushing, Insulating 4,9, 13,17,29 | 322491 | Card, Circuit 27 |
| 187128 | Insulator 27 | 198519 | Insulator 4 | 325615 | Capacitor, 2500 MFD 29 |
| 187129 | Connector Assembly 25 | 198520 | Insulator, .062" Thk 4 | 326635 | Network, Spark Suppression 11 |
| 187133 | Set of Parts 1,30 | 198521 | Bracket 4 | 327061 | Lamp, 24V 14 |
| 187134 | Set of Parts 1,30 | 198522 | Clip, Spring 4,9 | 327326 | Jumper, 2-3/4" Green 13, 23 |
| 187135 | Bracket 26 | 198528 | Bracket 5 | 327420 | Modification Kit 1,21 |
| 187136 | Bracket 30 | 198529 | Strip, Terminal 5 | 327806 | Plug 14,27 |
| 187137 | Cable Assembly 27 | 198650 | Key, Polarizing 9,17 | 328362 | Bar, Mounting 10 |
| 187140 | Insulator 26 | 198670 | Screw w/Lockwasher, 6-40 x 5/16 Hex 14,30 | 328363 | Bracket, Guide 11 |
| 187141 | Insulator 26 | 199311 | Insulator 16 | 328382 | Board, Terminal 11 |
| 188694 | Frame 28,29 | 199317 | Relay 26 | 328383 | Board, Cover 11 |
| 188695 | Bracket 28 | 199397 | Bracket, Fuse 6,8,10 | 328389 | Jumper, 8" Black 10 |
| 188696 | Transformer Assembly 38 | 300340 | Bushing 3,11,12,26,28 | 328390 | Jumper, 8" Black 10 |
| 188697 | Transformer 28 | 301713 | Connector, 2 Pt Receptacle 2,6,8,10,13,18,26, 28 | 328391 | Jumper, 6" Orange 10 |
| 188698 | Clamp 29 | 302433 | Button, Stud 12 | 328392 | Jumper, 6" Orange 10 |
| 188699 | Cable Assembly 28 | 302722 | Capacitor, 2500 MFD 29 | 328393 | Jumper, 6" Black 10 |
| 188700 | Adaptor 28 | 303810 | Card, Circuit 5 | 328394 | Jumper, 8" Black 10 |
| 188725 | Label 27 | 303826 | Card, Circuit 14 | 328395 | Jumper, 6" Black 10 |
| 188726 | Label 27 | 303831 | Card, Circuit 25 | 328396 | Jumper, 8" White 10 |
| 188865 | Supply Assembly, Power 1,28,29 | 303832 | Card, Circuit 25 | 328397 | Jumper, 6" White 10 |
| 188866 | Sink, Heat 29 | 303833 | Card, Circuit 13,15,25 | 328398 | Jumper, 6" White 10 |
| 192007 | Terminal, Tab Type 6,10, 11,28 | 303846 | Card Assembly, Circuit 29 | 328399 | Jumper, 8" White 10 |
| 193040 | Connector w/Guide Slot 24 | 304992 | Bushing, Blocking 3 | 328400 | Jumper, 8" Black 10 |
| 193179 | Lamp, 28V 11 | 305453 | Transformer w/Terminals 4 | | |
| 193209 | Connector, Receptacle Type 9 | | | | |
| 193438 | Strip, Lap 3 | | | | |
| 193486 | Modification Kit 1,21 | | | | |

NUMERICAL INDEX (Continued)

| Part Number | Description and Page Number | Part Number | Description and Page Number | Part Number | Description and Page Number |
|-------------|---|-------------|-------------------------------|-------------|-----------------------------|
| 328591 | Strap, Cable 6,24,27 | 333515 | Shield, Transformer 17 | 336636 | Label 25 |
| 328668 | Label 27 | 333767 | Cap, Plastic 27 | 336640 | Label 25 |
| 328727 | Connector, 15 Pt Plug Type 14,25 | 333768 | Button 27 | 336954 | Screw, 4-40 x 13/64 Fil 14 |
| 328733 | Connector, 15 Pt Receptacle Type 14,25,28 | 333905 | Label 27 | 336956 | Stayband 14 |
| 328739 | Plate, Switch 11 | 334167 | Network, Spark Suppression 21 | 336957 | Label 14 |
| 328740 | Bracket, Mounting 11 | 334652 | Insulator, Switch 7,9,26 | 336959 | Cover 14 |
| 328741 | Post 11 | 334715 | Modification Kit 27 | 336960 | Cover 25 |
| 328742 | Switch, Rotary 10 | 334835 | Cap, Red 27 | 336962 | Timer w/Terminals 13 |
| 328743 | Switch, Lever 11 | 336333 | Plate, Nut 14,25,27 | 336983 | Label 25 |
| 328808 | Plate, Base 10,11 | 336334 | Collar 14,25,27 | 337992 | Transformer w/Terminals 17 |
| 330781 | Shield, Transformer 4 | 336460 | Plate 15,25 | 337995 | Transformer w/Terminals 4 |
| 330782 | Shield, Transformer 4,17 | 336461 | Post 15,25 | 338949 | Cap, Green 27 |
| 330793 | Transformer 17 | 336462 | Bracket 15,25 | 338997 | Card, Circuit 29 |
| 330796 | Transformer 4 | 336464 | Cable Assembly 14,25 | 340249 | Label 13,28 |
| 330906 | Label, Out of Service 14,25 | 336465 | Bracket 15,25 | 340684 | Transformer w/End Shields 8 |
| 330923 | Label, Alarm 14 | 336471 | Cable Assembly 15 | 341362 ** | Faceplate 25 |
| 331082 | Screw, 4-40 x 3/8 Nylon 27 | 336493 | Post 12,25 | 342932 | Jumper w/Terminals 24 |
| 332709 | Driver Assembly, Selector Magnet 1,17 | 336601 | Cable Assembly 14 | 343470 | Label 2,6,8,10,12,18 |
| | | 336631 | Label 14,25 | 343626 | Label 27 |
| | | 336632 | Label 14 | 343932 | Jumper 24 |
| | | 336633 | Label 14,25 | 343937 | Connector Assembly 24 |
| | | 336635 | Label 14,25 | | |

**Refer to page 1 for finish suffix

33 TAPE READER (UX)
PARTS

| FIGURE | CONTENTS | PAGE |
|--------|-----------------------------|------|
| 1 | Reader Mechanism | 2 |
| 2 | Tape Feed Magnet | 3 |
| 3 | Contact Block | 3 |
| 4 | Reed Switch and Magnet Core | 4 |
| | Numerical Index | 5 |

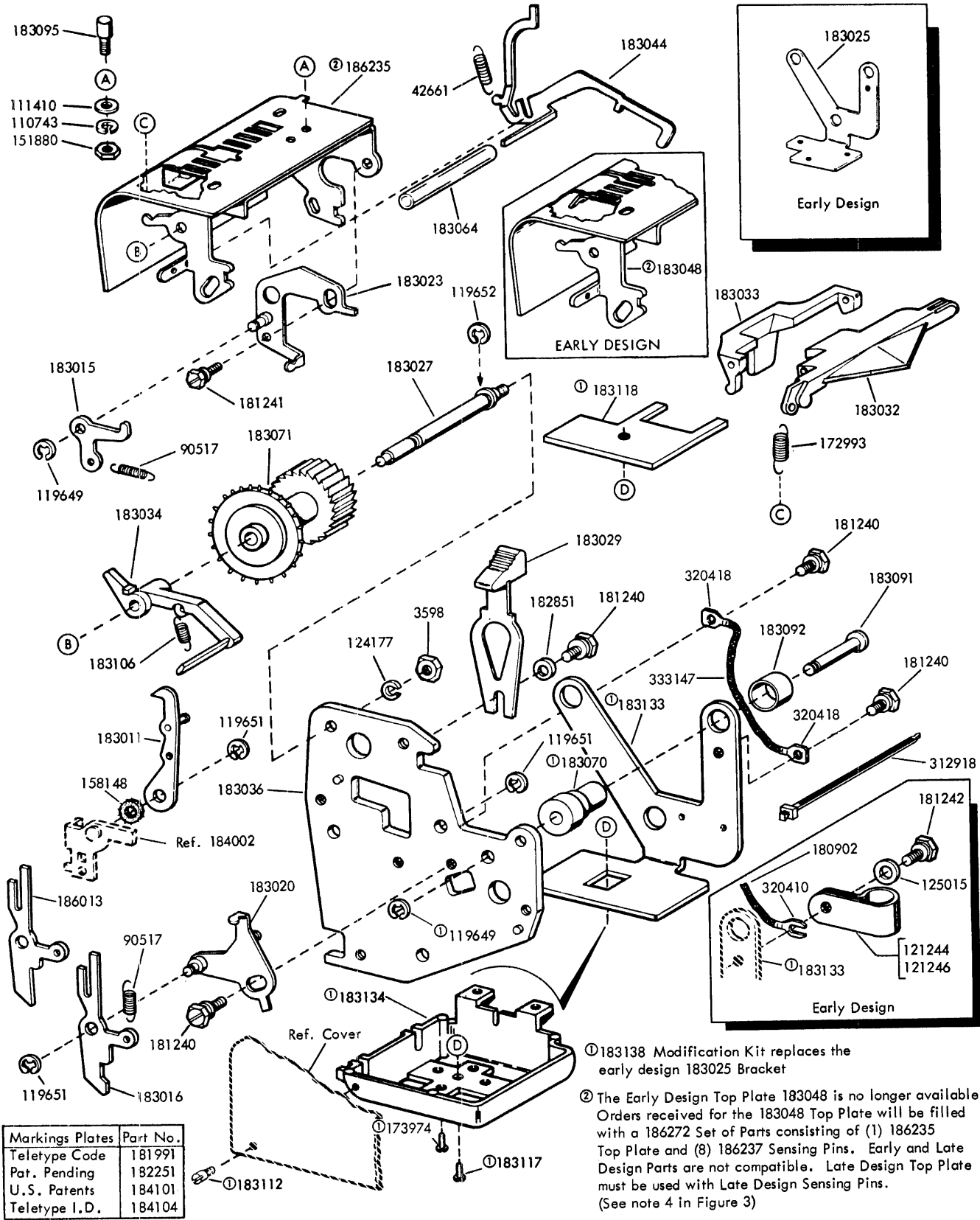


FIGURE 1. READER MECHANISM

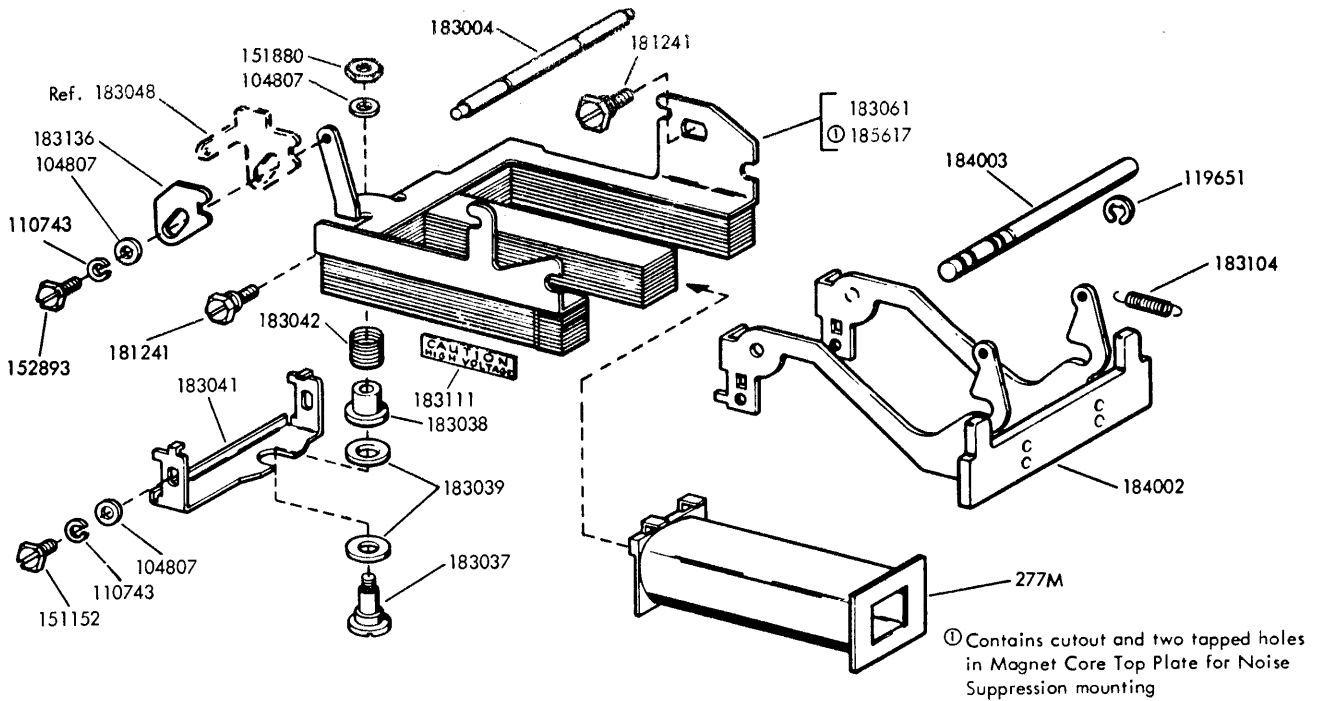


FIGURE 2. TAPE FEED MAGNET

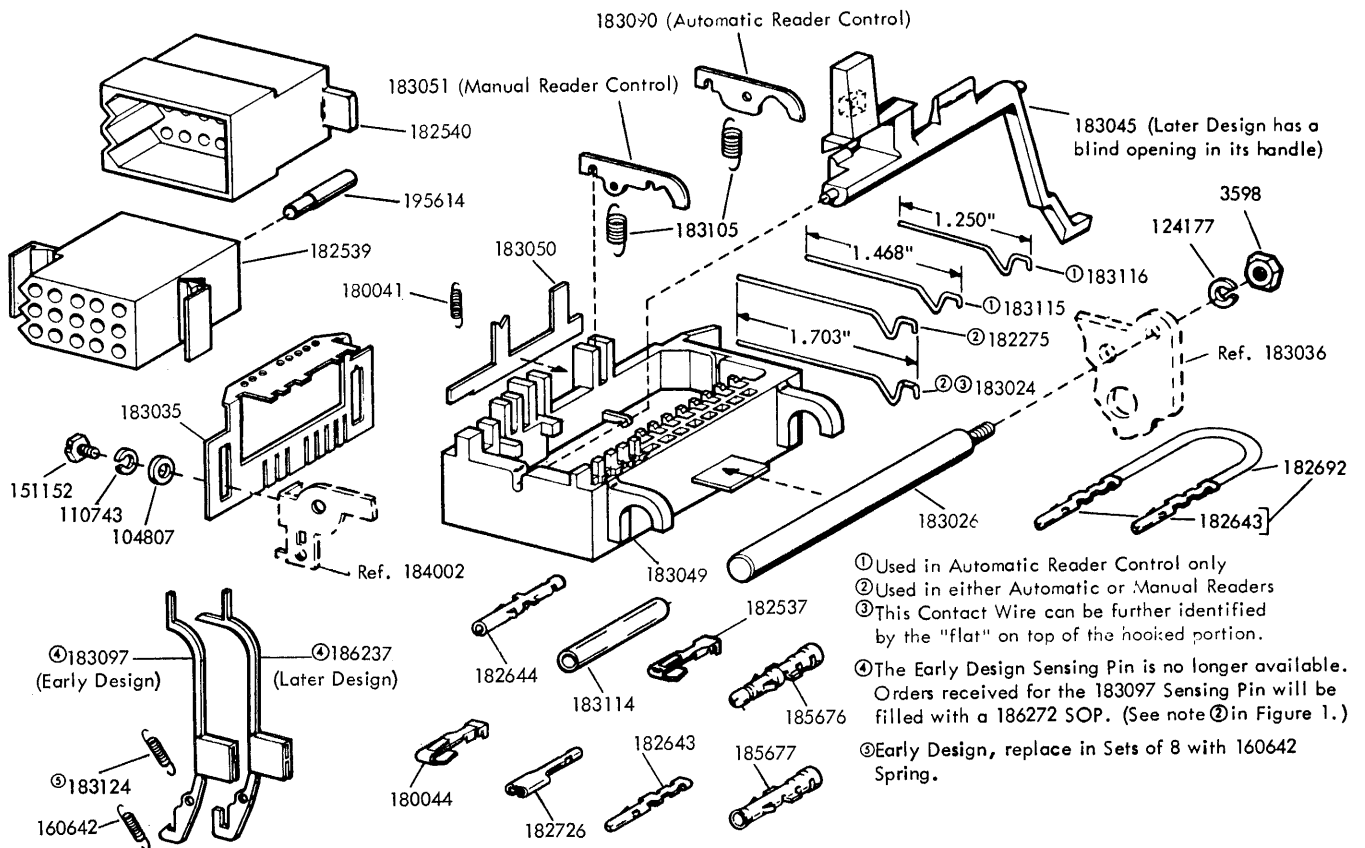


FIGURE 3. CONTACT BLOCK

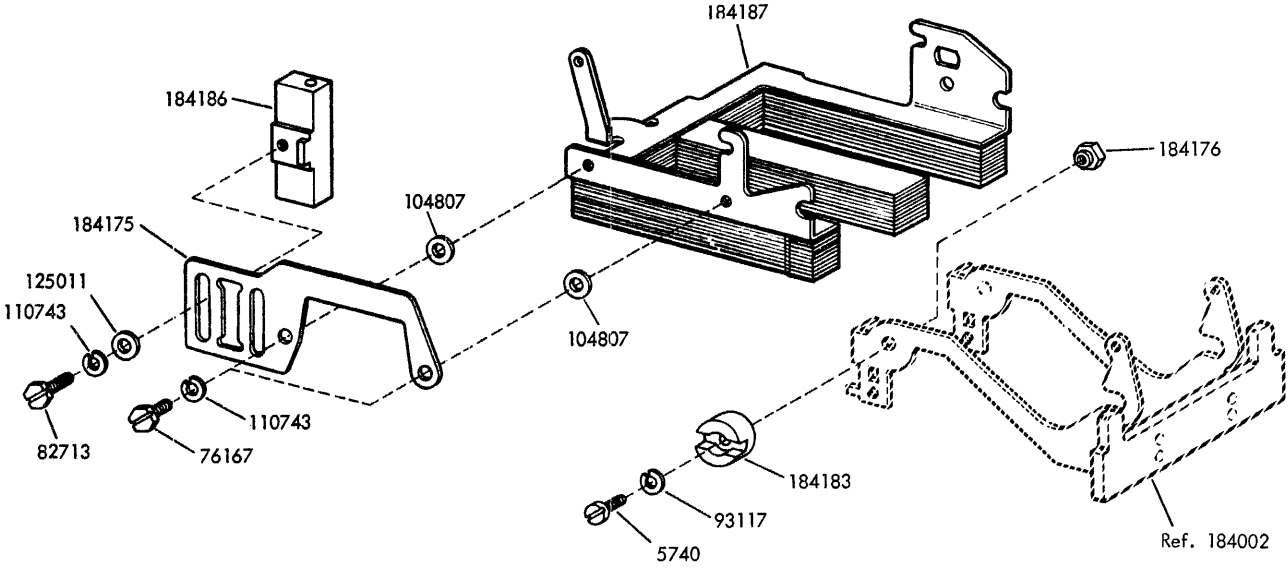


FIGURE 4. REED SWITCH AND MAGNET CORE

NUMERICAL INDEX

| Part Number | Description and Page Number | Part Number | Description and Page Number | Part Number | Description and Page Number |
|-------------|--|-------------|------------------------------|-------------|-----------------------------|
| 277M | Coil, Magnet 3 | 182540 | Connector, 15 Pt Plug Type 3 | 183095 | Stud, Tape Guide 2 |
| 3598 | Nut, 6-40 Hex 2,3 | | | 183097 | Pin, Sensing 3 |
| 5740 | Screw, 2-56 x 1/4 Fil 4 | 182643 | Terminal, Plug Type 3 | 183104 | Spring 3 |
| 42661 | Spring 2 | 182644 | Terminal, Receptacle Type 3 | 183105 | Spring 3 |
| 76167 | Screw, 4-40 x 3/16 Hex 4 | | | 183106 | Spring 2 |
| 82713 | Screw, 4-40 x 9/32 Hex 4 | 182692 | Jumper, 2-1/4" Orange 3 | 183111 | Label 3 |
| 90517 | Spring 2 | 182726 | Terminal, Receptacle Type 3 | 183112 | Screw, 4-40 x 9/16 Fil 2 |
| 93117 | Lockwasher 4 | | | 183114 | Sleeve, Insulating 3 |
| 104807 | Washer, Flat 3 | 182851 | Spacer, .062" Thk 2 | 183115 | Wire, Contact 3 |
| 110743 | Lockwasher 2,3,4 | 183004 | Post, Spring 3 | 183116 | Wire, Contact 3 |
| 111410 | Washer, Flat 2 | 183011 | Pawl, Feed 2 | 183117 | Screw, 10-32 x 5/8 Hex 2 |
| 119649 | Ring, Retaining 2 | 183015 | Lever, Detent 2 | | |
| 119651 | Ring, Retaining 2,3 | 183016 | Pawl, Blocking 2 | 183118 | Plate, Clamp 2 |
| 119652 | Ring, Retaining 2 | 183020 | Bracket, Blocking Pawl 2 | 183124 | Spring 3 |
| 121244 | Clamp, 1/4 ID Cable 2 | 183023 | Bracket, Detent 2 | 183133 | Bracket 2 |
| 121246 | Clamp, 3/8 ID Cable 2 | 183024 | Wire, Contact 3 | 183134 | Base 2 |
| 124177 | Lockwasher 2,3 | 183025 | Bracket 2 | 183136 | Plate 3 |
| 125011 | Washer, Flat 4 | 183026 | Post, Contact Block 3 | 183138 | Modification Kit 2 |
| 125015 | Washer, Flat 2 | 183027 | Shaft, Feed Wheel 2 | 184002 | Armature 2,3,4 |
| 151152 | Screw, 4-40 x 3/16 Hex 3 | 183029 | Latch, Spring 2 | 184003 | Shaft, Armature 3 |
| 151880 | Nut, 4-40 Hex 2,3 | 183032 | Lid, Tape 2 | 184101 | Plate, Identification 2 |
| 152893 | Screw, 4-40 x 1/4 Hex 3 | 183033 | Bail, Tight Tape 2 | 184104 | Plate, Identification 2 |
| 158148 | Washer, Felt 2 | 183034 | Lever, Tight Tape 2 | 184175 | Bracket 4 |
| 160642 | Spring 3 | 183035 | Guide, Sensing Pin 3 | 184176 | Nut, 2-56 Shoulder Hex 4 |
| 172993 | Spring 2 | 183036 | Backplate 2,3 | | |
| 173974 | Screw, 10-32 x 5/16 Hex 2 | 183037 | Screw, 4-40 Shoulder 3 | 184183 | Magnet 4 |
| 180041 | Spring 3 | 183038 | Bushing, Upstop 3 | 184186 | Switch, Reed 4 |
| 180044 | Terminal, Tab Type 3 | 183039 | Buffer, Upstop 3 | 184187 | Core, Magnet 4 |
| 180902 | Jumper, 3-1/2" Braided 2 | 183041 | Bracket, Upstop 3 | 185617 | Core, Magnet 3 |
| 181240 | Screw w/Lockwasher, 6-40 x 3/16 Hex 2 | 183042 | Spring, Compression 3 | 185676 | Terminal, Plug Type 3 |
| 181241 | Screw w/Lockwasher, 6-40 x 1/4 Hex 2,3 | 183044 | Pin, Tape Out 2 | 185677 | Terminal, Receptacle Type 3 |
| 181242 | Screw w/Lockwasher, 6-40 x 5/16 Hex 2 | 183045 | Lever, Start-Stop 3 | | |
| 181991 | Plate, Identification 2 | 183048 | Plate, Top 2,3 | 186013 | Pawl, Blocking 2 |
| 182251 | Plate, Identification 2 | 183049 | Block, Contact 3 | 186235 | Plate, Top 2 |
| 182275 | Wire, Contact 3 | 183050 | Bar, Common 3 | 186237 | Pin, Sensing 2,3 |
| 182537 | Terminal, Tab Type 3 | 183051 | Lever, Detent 3 | 186272 | Set of Parts 2,3 |
| 182539 | Connector, 15 Pt Receptacle Type 3 | 183061 | Core, Magnet 3 | 195614 | Pin, Key 3 |
| | | 183064 | Insulator, Tape Out Pin 2 | 312918 | Strap 2 |
| | | 183070 | Grommet, Rubber 2 | 320410 | Terminal, Spade Type 2 |
| | | 183071 | Wheel, Feed 2 | 320418 | Terminal, Ring Type 2 |
| | | 183090 | Lever, Detent 3 | 333147 | Jumper, 1-3/4" Braided 2 |
| | | 183091 | Post 2 | | |
| | | 183092 | Cup 2 | | |

33 TAPE PUNCH (UPE)
PARTS

| FIGURE | CONTENTS | PAGE |
|--------|-----------------------------|------|
| 1 | Punch Mechanism | 2 |
| 2 | Punch Mechanism (Continued) | 3 |
| 3 | Power Bail Mechanisms | 4 |
| | Numerical Index | 5 |

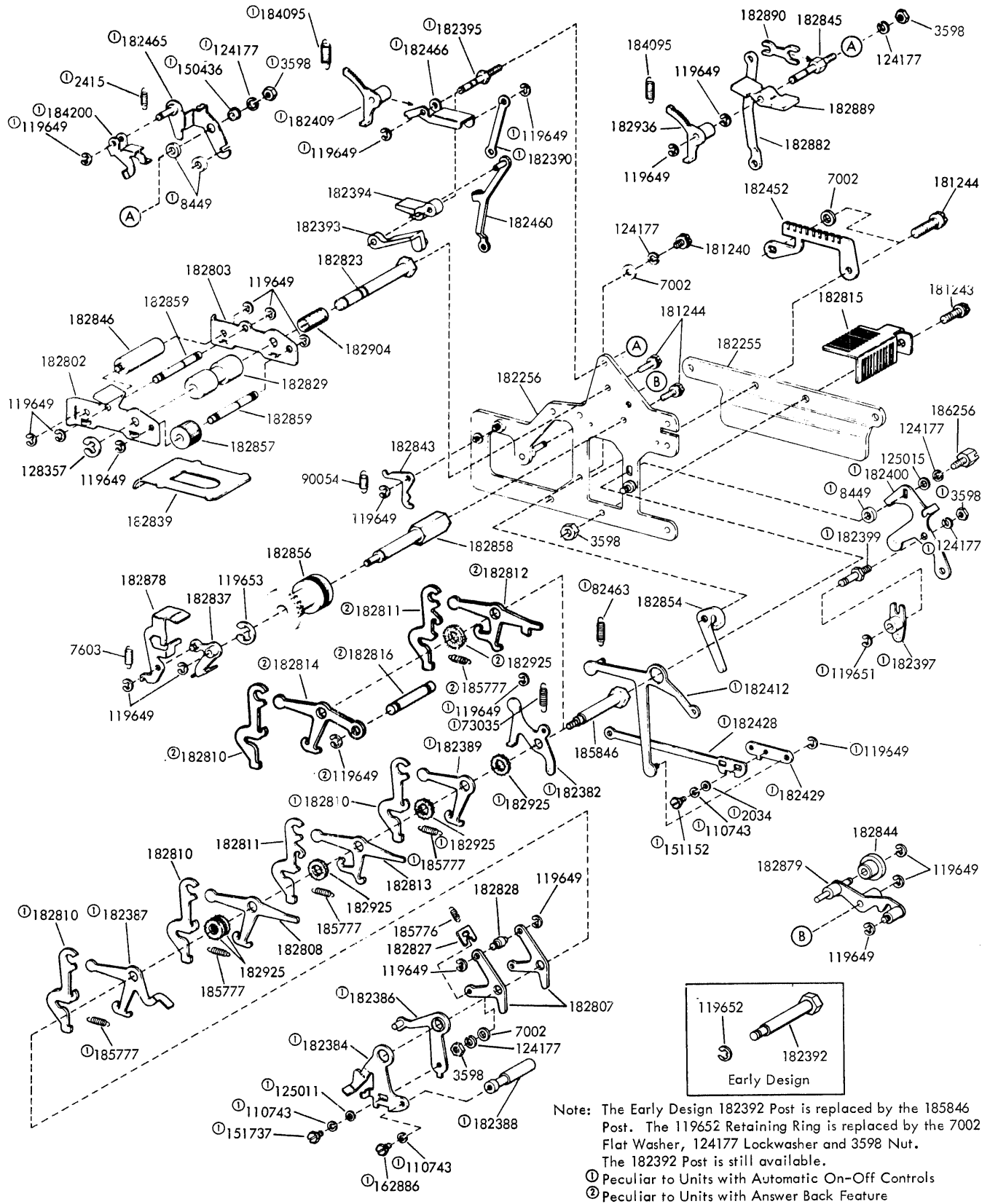
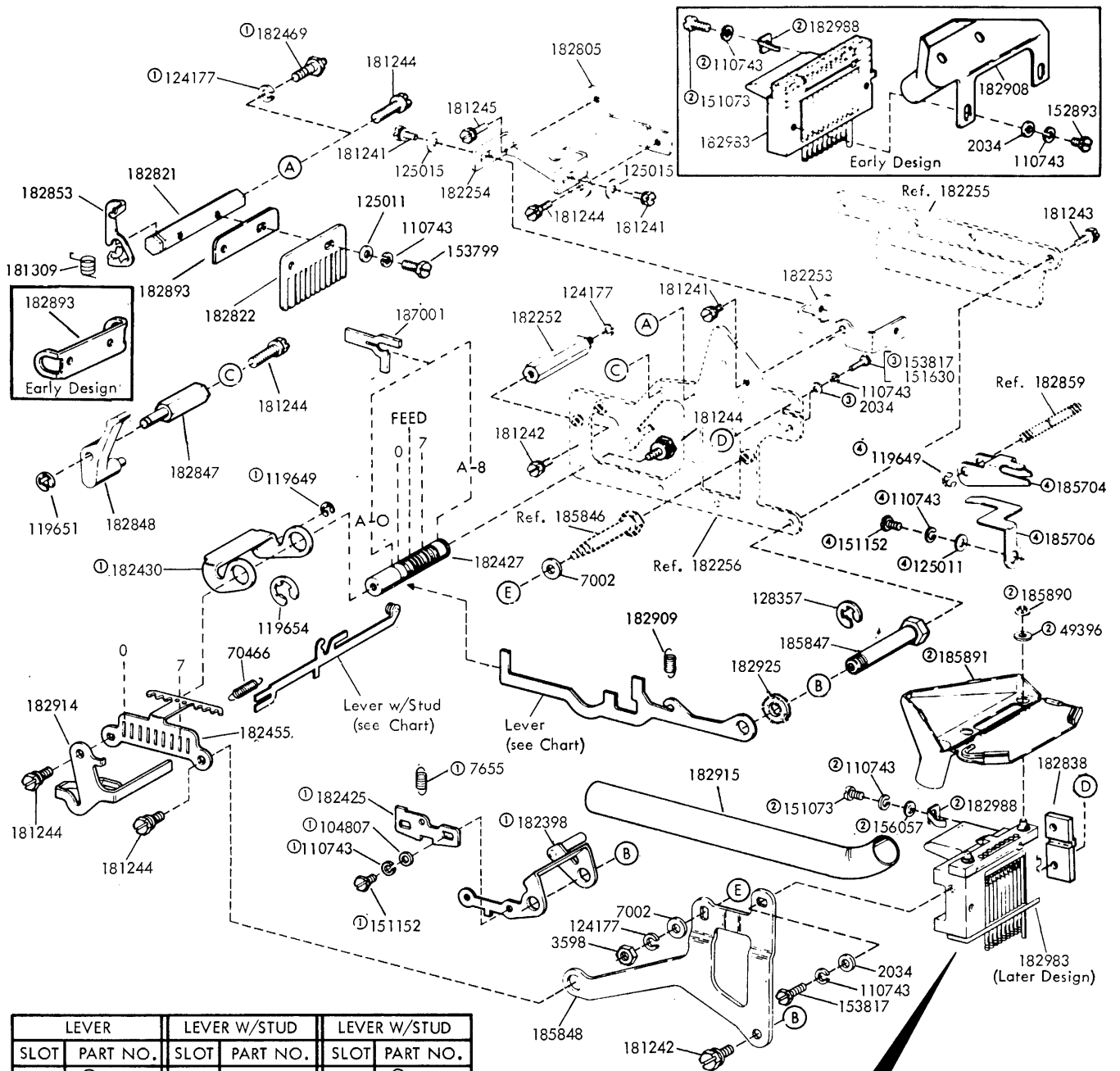


FIGURE 1. PUNCH MECHANISM



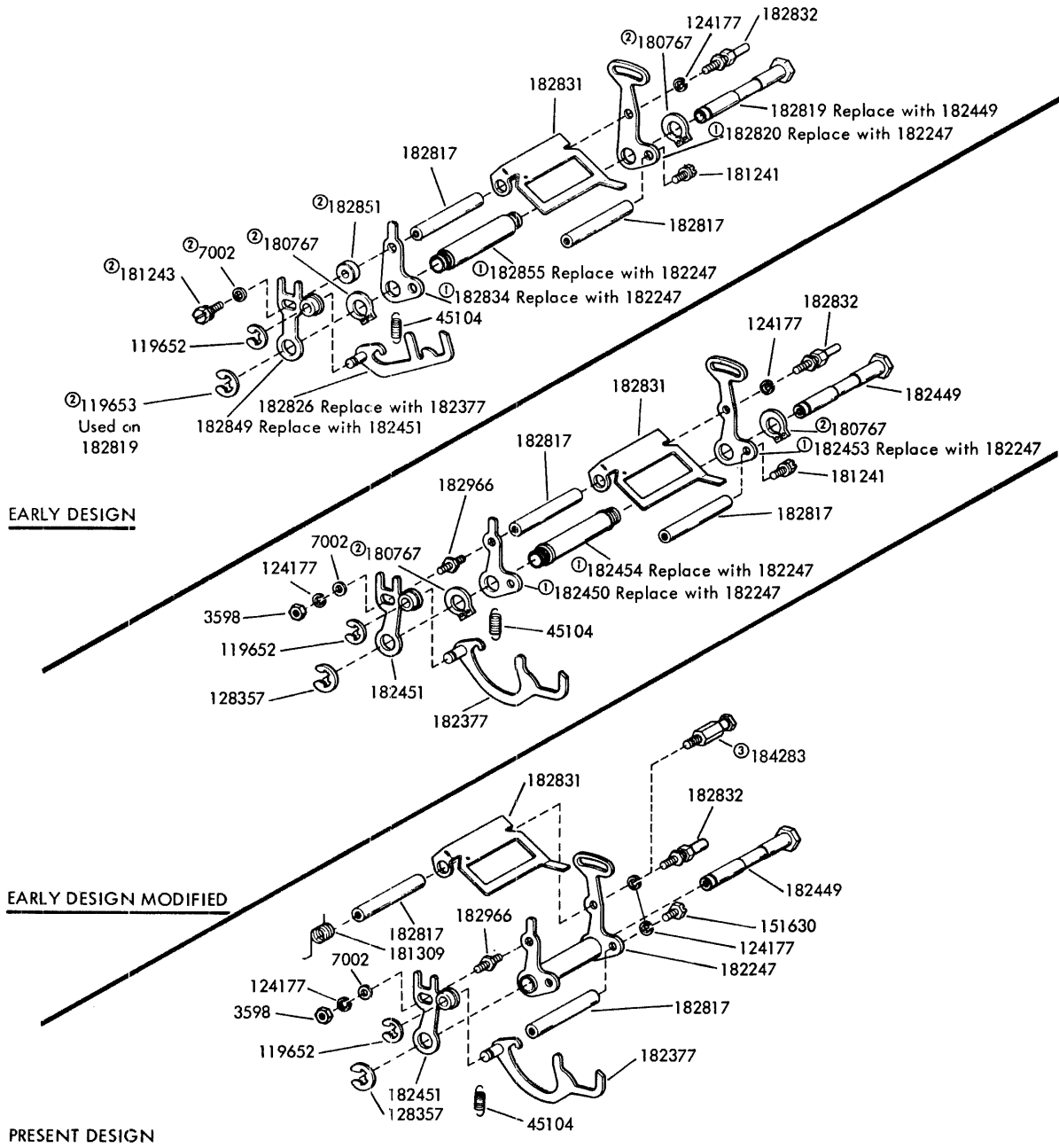
| LEVER | | LEVER W/STUD | | LEVER W/STUD | |
|-------|----------|--------------|----------|--------------|----------|
| SLOT | PART NO. | SLOT | PART NO. | SLOT | PART NO. |
| A-0 | ①182457 | 0 | 182862 | 1 | ①182403 |
| 0 | 182431 | 1-8 | 182884 | 2 | ①182402 |
| 1 | 182432 | 2-8 | 182885 | 3 | ①182404 |
| 2 | 182433 | 3 | 182864 | 4 | ①182864 |
| FEED | 182872 | 4-8 | 182886 | 5 | ①182406 |
| 3 | 182434 | 6 | 182887 | 6 | ①182887 |
| 4 | 182435 | 5 | 182861 | 7 | ①182861 |
| 5 | 182437 | 7 | 182888 | 8 | ①182888 |
| 6 | 182438 | | | | |
| 7 | 182439 | | | | |
| A-8 | ①182457 | | | | |

NOTE: "Due to special assembly processes, it is recommended that the Teletype Product Service Organization be contacted to determine if part replacement or repair is possible on this portion of the Punch Block Assembly."

NOTE: Early and Later Design Punch Block Assemblies are interchangeable; however, the 182908 Chad Chute can only be used on the Early Design and the 185891 can only be used on the Later Design.

- ① Peculiar to units with Automatic On-Off Controls
- ② Supplied with 182983
- ③ Peculiar to units with Manual On-Off Controls
- ④ 185705 Modification Kit to provide a guide for Fan Fold Tape

FIGURE 2. PUNCH MECHANISM (Continued)



- ① Must be replaced with 182247 Sleeve w/Plates, 181309 Spring and 128357 Ring, Retaining (3598, 124177, 7002 and 182966 may also be ordered to update entire Power Bail Mechanism)
- ② Use only with Earlier Design Mechanisms
- ③ Peculiar to units with automatic ON-OFF controls

FIGURE 3. POWER BAIL MECHANISMS

NUMERICAL INDEX

| Part Number | Description and Page Number | Part Number | Description and Page Number | Part Number | Description and Page Number |
|-------------|--|-------------|---|-------------|-----------------------------|
| 2034 | Washer, Flat 2,3 | 181244 | Screw w/Lockwasher, 6-40 x 7/16 Hex 2,3 | 182453 | Plate 4 |
| 2415 | Spring 2 | 181245 | Screw w/Lockwasher, 6-40 x 1/2 Hex 3 | 182454 | Sleeve 4 |
| 3598 | Nut, 6-40 Hex 2,4 | 181309 | Spring, Torsion 3,4 | 182455 | Bracket 3 |
| 7002 | Washer, Flat 2,3,4 | 182247 | Sleeve w/Plates 4 | 182457 | Lever 3 |
| 7603 | Spring 2 | 182252 | Post 3 | 182460 | Link 2 |
| 7655 | Spring 3 | 182253 | Bracket 3 | 182465 | Bracket 2 |
| 8449 | Spacer, 0.094" Thk 2 | 182254 | Bracket 3 | 182466 | Lever w/Post 2 |
| 45104 | Spring 4 | 182255 | Spacer 2,3 | 182469 | Post, Spring 3 |
| 49396 | Washer, Flat 3 | 182256 | Plate 2,3 | 182802 | Bracket 2 |
| 70466 | Spring 3 | 182377 | Pawl w/Stud 4 | 182803 | Plate 2 |
| 73035 | Spring 2 | 182382 | Lever 2 | 182805 | Plate 3 |
| 82463 | Spring 2 | 182384 | Lever 2 | 182807 | Lever 2 |
| 90054 | Spring 2 | 182386 | Lever 2 | 182808 | Lever 2 |
| 104807 | Washer, Flat 3 | 182387 | Lever 2 | 182810 | Pawl 2 |
| 110743 | Lockwasher 2,3 | 182388 | Post 2 | 182811 | Pawl 2 |
| 119649 | Ring, Retaining 2,3 | 182389 | Lever 2 | 182812 | Lever 2 |
| 119651 | Ring, Retaining 2,3 | 182390 | Link 2 | 182813 | Lever 2 |
| 119652 | Ring, Retaining 2,4 | 182392 | Post 2 | 182814 | Lever 2 |
| 119653 | Ring, Retaining 2,4 | 182393 | Lever 2 | 182815 | Bracket 2 |
| 119654 | Ring, Retaining 3 | 182394 | Lever 2 | 182816 | Shaft 2 |
| 124177 | Lockwasher 2,3,4 | 182395 | Post 2 | 182817 | Post 4 |
| 125011 | Washer, Flat 2,3 | 182397 | Lever 2 | 182819 | Post 4 |
| 125015 | Washer, Flat 2,3 | 182398 | Bail w/Post 3 | 182820 | Plate 4 |
| 128357 | Ring, Retaining 2,3,4 | 182399 | Post, Eccentric 2 | 182821 | Post 3 |
| 150436 | Bushing 2 | 182400 | Plate w/Stud 2 | 182822 | Plate 3 |
| 151073 | Screw, 4-40 x 5/32 Fil 3 | 182402 | Lever w/Stud 3 | 182823 | Post 2 |
| 151152 | Screw, 4-40 x 3/16 Hex 2,3 | 182403 | Lever w/Stud 3 | 182826 | Pawl w/Stud 4 |
| 151442 | Screw, 6-40 x 1/2 Hex 2 | 182404 | Lever w/Stud 3 | 182827 | Plate 2 |
| 151630 | Screw, 6-40 x 1/4 Hex 3,4 | 182406 | Lever w/Stud 3 | 182828 | Roller 2 |
| 151737 | Screw, 4-40 x 11/64 Hex 2 | 182409 | Arm w/Hub 2 | 182829 | Sleeve 2 |
| 152893 | Screw, 4-40 x 1/4 Hex 3 | 182412 | Lever w/Stud 2 | 182831 | Bail 4 |
| 153817 | Screw, 4-40 x 3/8 Hex 3 | 182425 | Arm 3 | 182832 | Post 4 |
| 153799 | Screw, 4-40 x 21/64 Hex 3 | 182427 | Post 3 | 182834 | Plate 4 |
| 156057 | Washer, Flat 3 | 182428 | Link 2 | 182837 | Lever w/Post 2 |
| 162886 | Screw, 4-40 x 7/32 Hex 2 | 182429 | Plate 2 | 182838 | Spacer 3 |
| 180767 | Ring, Retaining 4 | 182430 | Bail w/Stud 3 | 182839 | Plate 2 |
| 181240 | Screw w/Lockwasher, 6-40 x 3/16 Hex 2 | 182431 | Lever 3 | 182843 | Lever 2 |
| 181241 | Screw w/Lockwasher, 6-40 x 1/4 Hex 3,4 | 182432 | Lever 3 | 182844 | Roller 2 |
| 181242 | Screw w/Lockwasher, 6-40 x 5/16 Hex 3 | 182433 | Lever 3 | 182845 | Post 2 |
| 181243 | Screw w/Lockwasher, 6-40 x 3/8 Hex 2,3,4 | 182434 | Lever 3 | 182846 | Roller 2 |
| | | 182435 | Lever 3 | 182847 | Post 3 |
| | | 182437 | Lever 3 | 182848 | Arm 3 |
| | | 182438 | Lever 3 | 182849 | Plate w/Bushing 4 |
| | | 182439 | Lever 3 | 182851 | Spacer, 0.062" Thk 4 |
| | | 182449 | Post 4 | 182853 | Hook 3 |
| | | 182450 | Plate 4 | 182854 | Bracket 2 |
| | | 182451 | Plate w/Bushing 4 | 182855 | Sleeve 4 |
| | | 182452 | Guideplate 2 | 182856 | Wheel, 24T 2 |
| | | | | 182857 | Roller 2 |
| | | | | 182858 | Post 2 |

NUMERICAL INDEX (Continued)

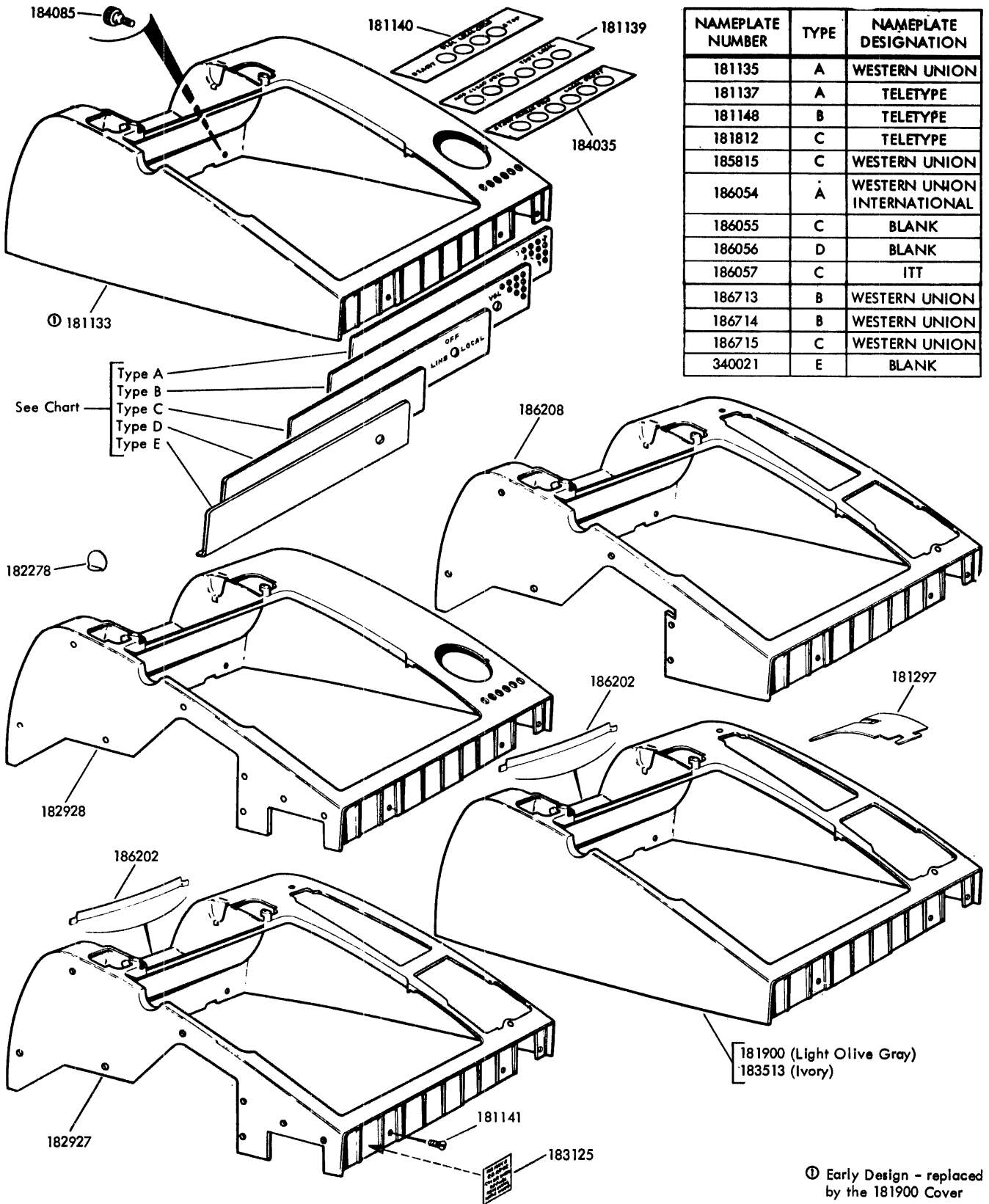
| Part Number | Description and Page Number | Part Number | Description and Page Number | Part Number | Description and Page Number |
|-------------|-----------------------------|-------------|-----------------------------|-------------|-----------------------------|
| 182859 | Post 2,3 | 182890 | Plate 2 | 184200 | Bail 2 |
| 182861 | Lever w/Stud 3 | 182893 | Bracket 3 | 184283 | Guidepost 4 |
| 182862 | Lever w/Stud 3 | 182904 | Spring, Compression 2 | 185704 | Depressor, Tape 3 |
| 182864 | Lever w/Stud 3 | 182908 | Chute, Chad 3 | 185705 | Modification Kit 3 |
| 182872 | Lever 3 | 182909 | Spring 3 | 185706 | Bracket 3 |
| 182878 | Lever 2 | 182914 | Bracket 3 | 185776 | Spring 2 |
| 182879 | Lever 2 | 182915 | Extension 3 | 185777 | Spring 2 |
| 182882 | Link 2 | 182925 | Washer, Flat 2,3 | 185846 | Post 2,3 |
| 182884 | Lever w/Stud 3 | 182936 | Arm w/Bushing 2 | 185847 | Post 3 |
| 182885 | Lever w/Stud 3 | 182966 | Stud 4 | 185848 | Plate 3 |
| 182886 | Lever w/Stud 3 | 182983 | Block Assembly, Punch 3 | 185890 | Pushnut 3 |
| 182887 | Lever w/Stud 3 | 182988 | Spring, Punch Block 3 | 185891 | Chute, Chad 3 |
| 182888 | Lever w/Stud 3 | 184095 | Spring 2 | 187001 | Stop 3 |
| 182889 | Lever 2 | | | | |

33 COVER AND TABLE
PARTS

| FIGURE | CONTENTS | PAGE |
|--------|---|------|
| 1 | Printer Covers | 2 |
| 2 | Punch Cover and Base | 3 |
| 3 | Reader Cover and Base | 4 |
| 4 | Faceplates | 5 |
| 5 | Faceplates (Continued) | 6 |
| 6 | Cover and Tape Storage Bin | 7 |
| 7 | Cabinet | 8 |
| 8 | Lid and Copyholder | 9 |
| 9 | 183976 Adjustable Copyholder Assembly | 10 |
| 10 | 182134, 182149, 184194, 186480 and 186766 Power Pack Assemblies | 11 |
| 11 | 181720 Power Pack Assembly | 11 |
| 12 | 184074 Outlet Box Assembly | 12 |
| 13 | 183859 Modification Kit to Provide Paper Supply and Accumulating Shelf | 13 |
| 14 | 186031 Rectifier Assembly | 14 |
| 15 | 186226 Modification Kit to Provide Mobility for Cabinet | 15 |
| | Numerical Index | 16 |

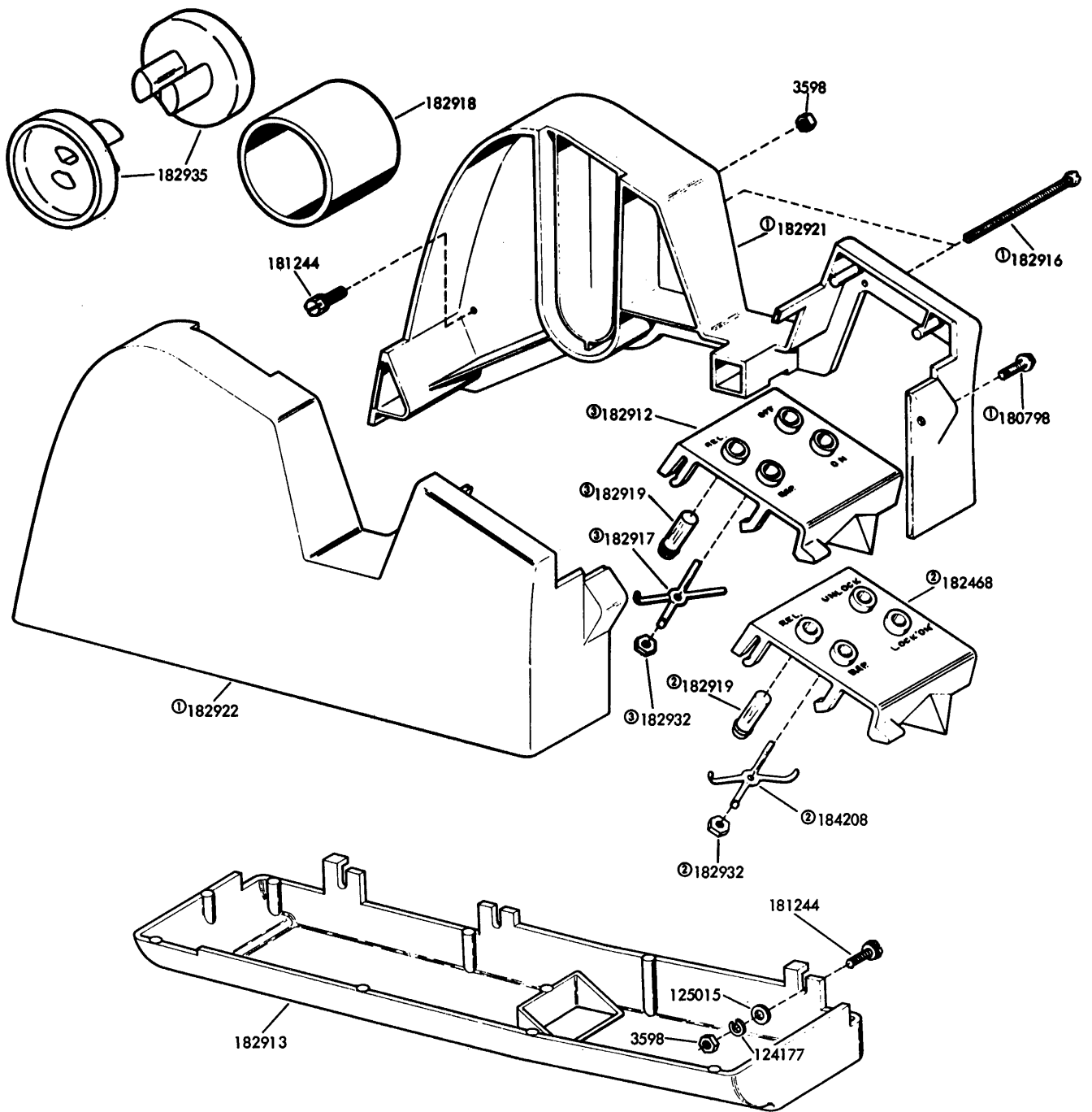
**Denotes a painted part.
HF-Light Olive Gray Smooth Vinyl

SECTION 574-126-800TC



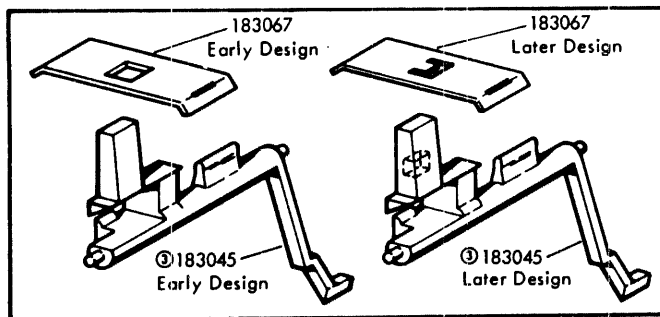
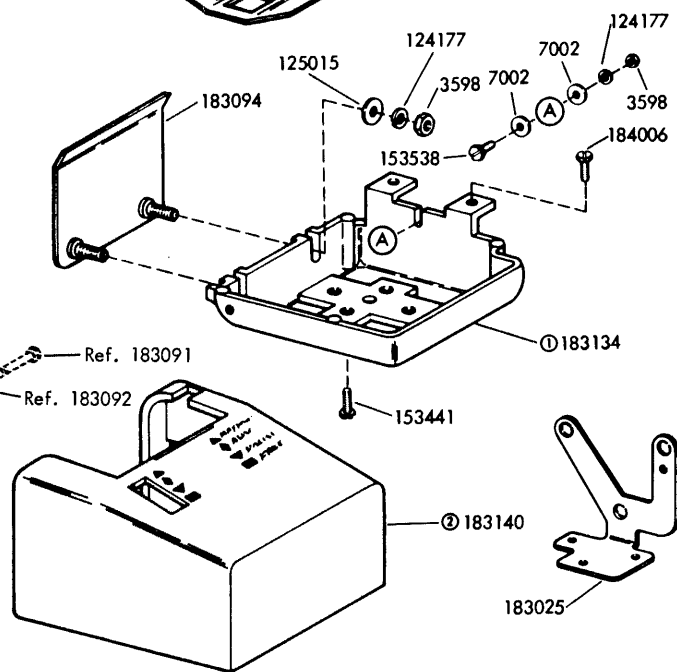
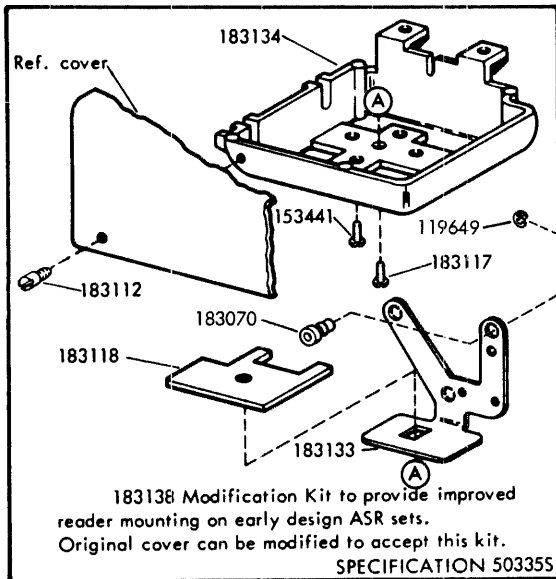
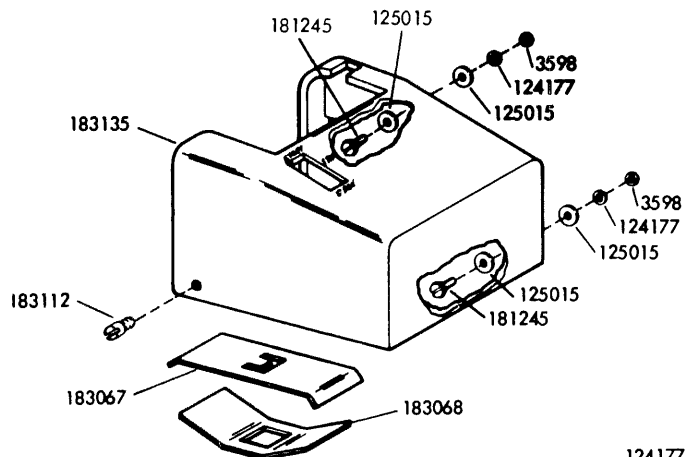
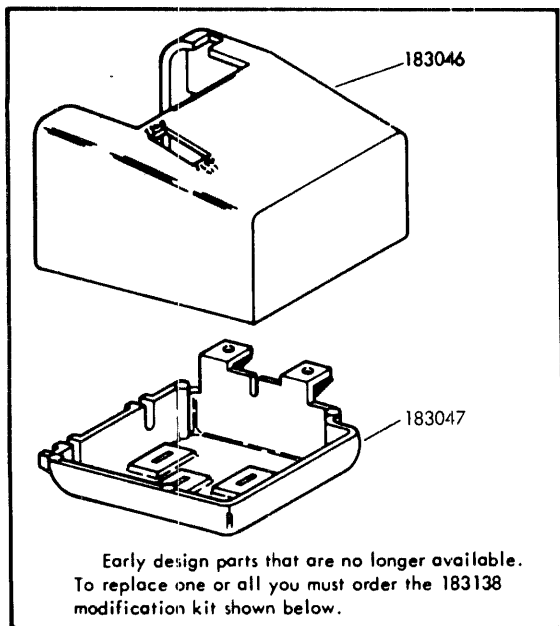
① Early Design - replaced by the 181900 Cover

FIGURE 1. PRINTER COVERS



- ① 182926 Cover Assembly
- ② 184206 Lid Assembly
- ③ 182109 Lid Assembly (for automatic or manual On-Off control)

FIGURE 2. PUNCH COVER AND BASE



① A new 185700 laminated sheet steel base has been designed to replace the three individual castings mounting the typing unit with motor, keyboard and associated call control unit, the perforator, and the reader. However, the 183134 base (shown on this figure) is still available for replacement purposes

② Automatic reader control cover

③ The 183067 shield and the 183045 start & stop lever have been redesigned but retain their original numbers. The new style lever can be used with the old style shield but the new style shield must be used with the new style lever

FIGURE 3. READER COVER AND BASE

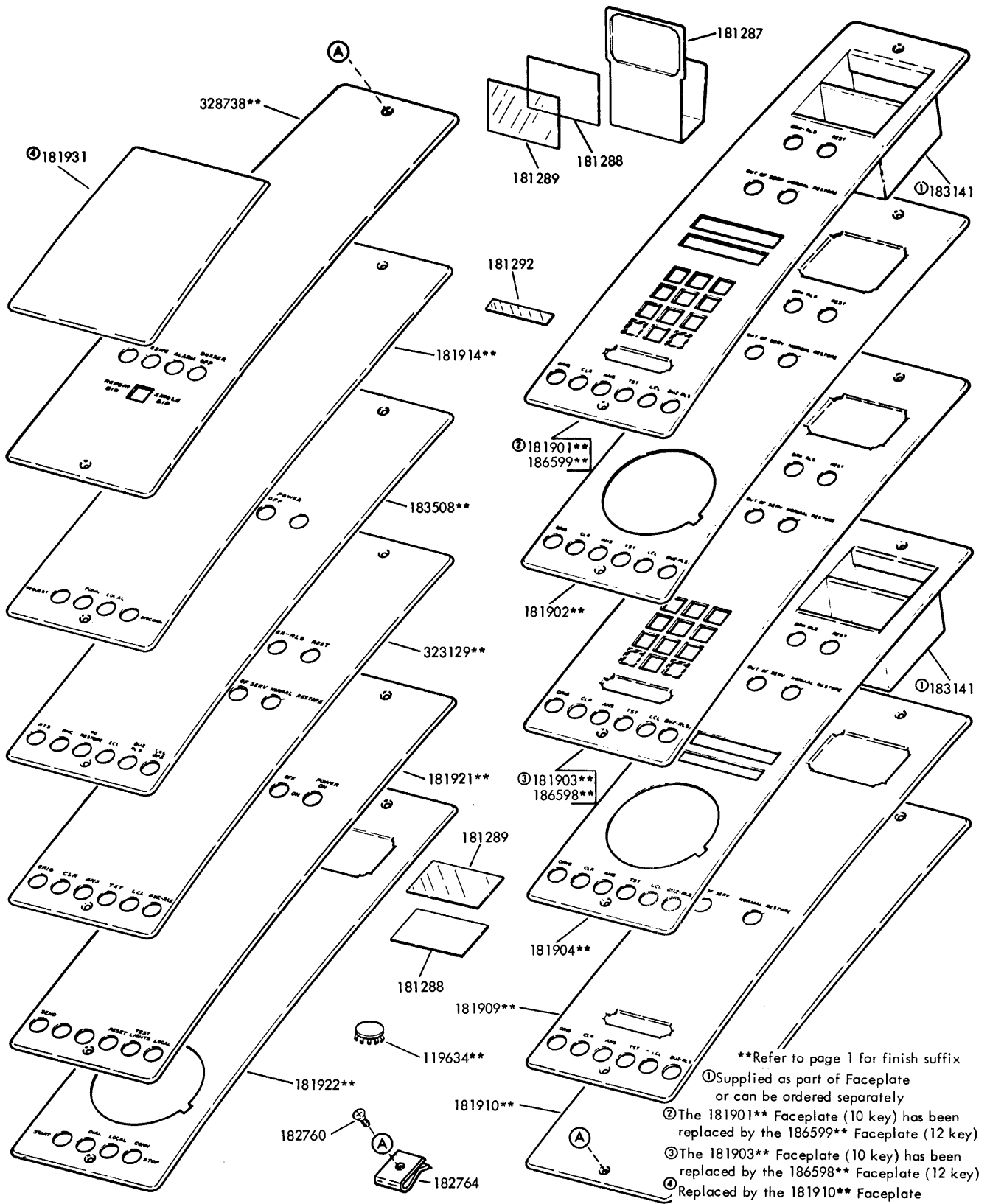


FIGURE 4. FACEPLATES

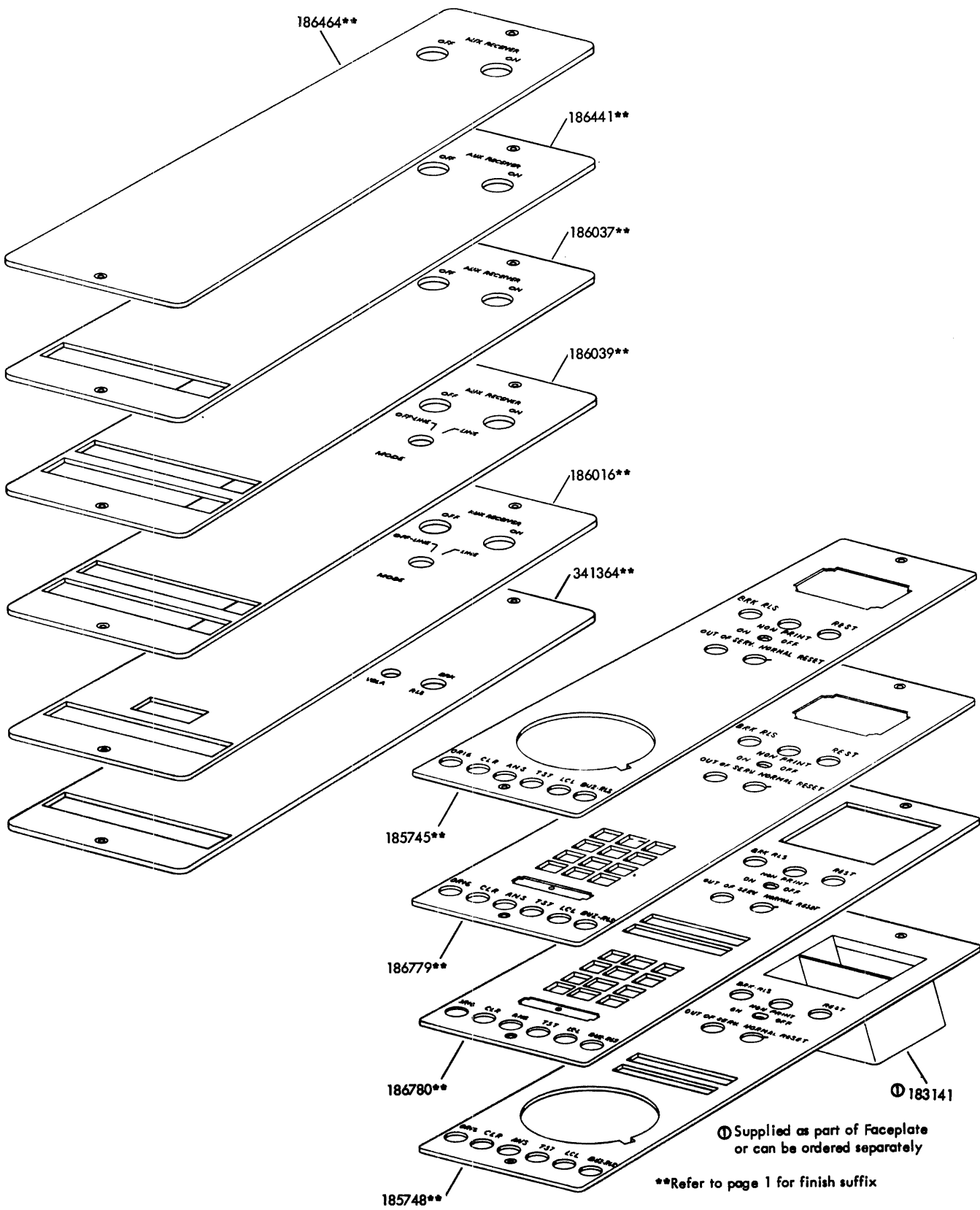


FIGURE 5. FACEPLATES (CONTINUED)

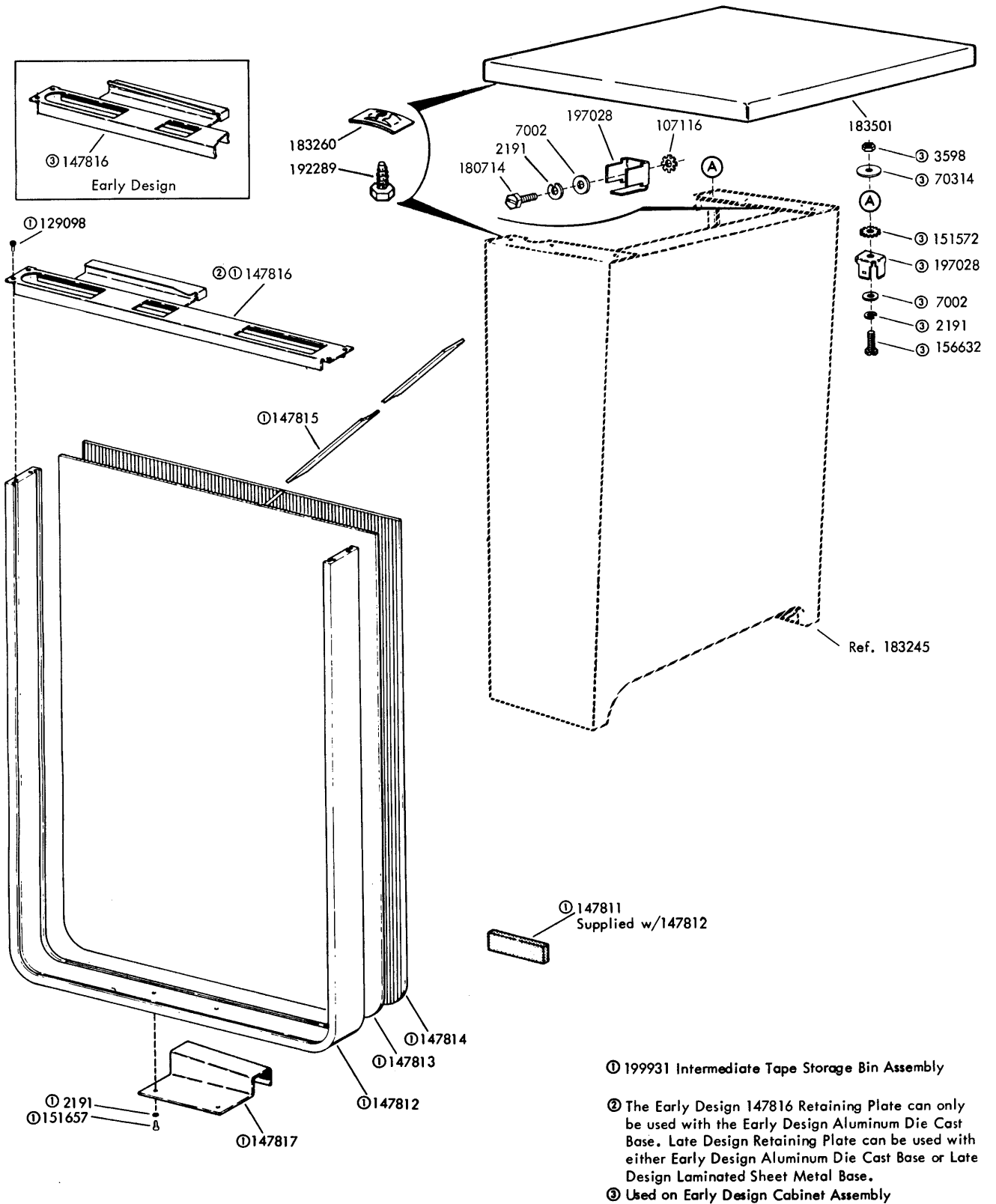
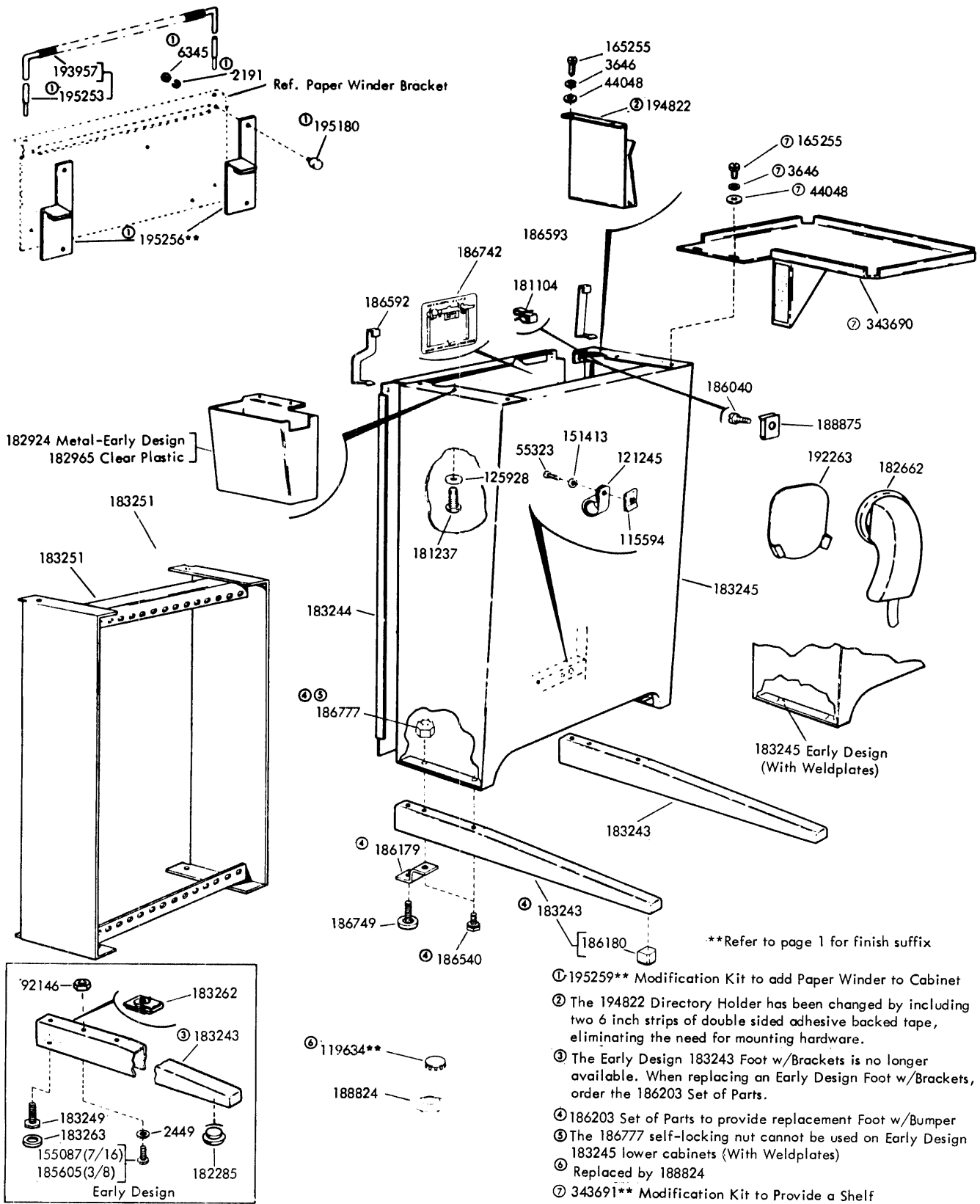
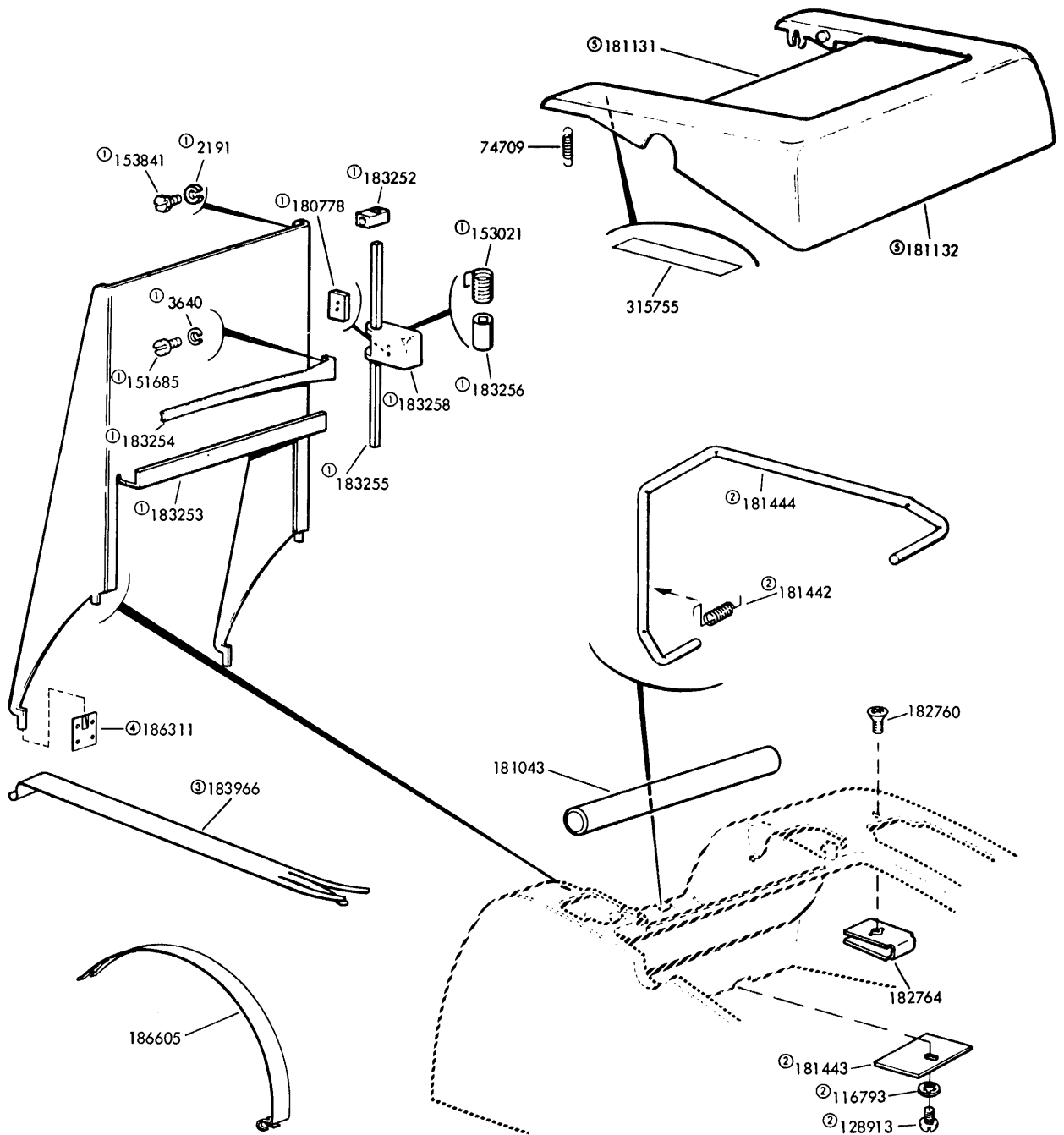


FIGURE 6. COVER AND TAPE STORAGE BIN



- ① 195259** Modification Kit to add Paper Winder to Cabinet
- ② The 194822 Directory Holder has been changed by including two 6 inch strips of double sided adhesive backed tape, eliminating the need for mounting hardware.
- ③ The Early Design 183243 Foot w/Brackets is no longer available. When replacing an Early Design Foot w/Brackets, order the 186203 Set of Parts.
- ④ 186203 Set of Parts to provide replacement Foot w/Bumper
- ⑤ The 186777 self-locking nut cannot be used on Early Design 183245 lower cabinets (With Weldplates)
- ⑥ Replaced by 188824
- ⑦ 343691** Modification Kit to Provide a Shelf

FIGURE 7. CABINET



- ① 182036 Copyholder Assembly
- ② Used with Sets having Low Paper Alarm
- ③ No longer available. Order 186605 Paper Deflector
- ④ 186312 SOP to Provide Cover Repair Bracket for Copyholder

⑤ The 181131 Lid Window has been redesigned by adding nine holes to enable heat staking to the Lid rather than cementing as on the Early Design. Early and Late Design Lids w/ Window are interchangeable. If however, a Late Design Lid w/Window needs a replacement Window, a 181132 Lid w/Window must be ordered.

FIGURE 8. LID AND COPYHOLDER

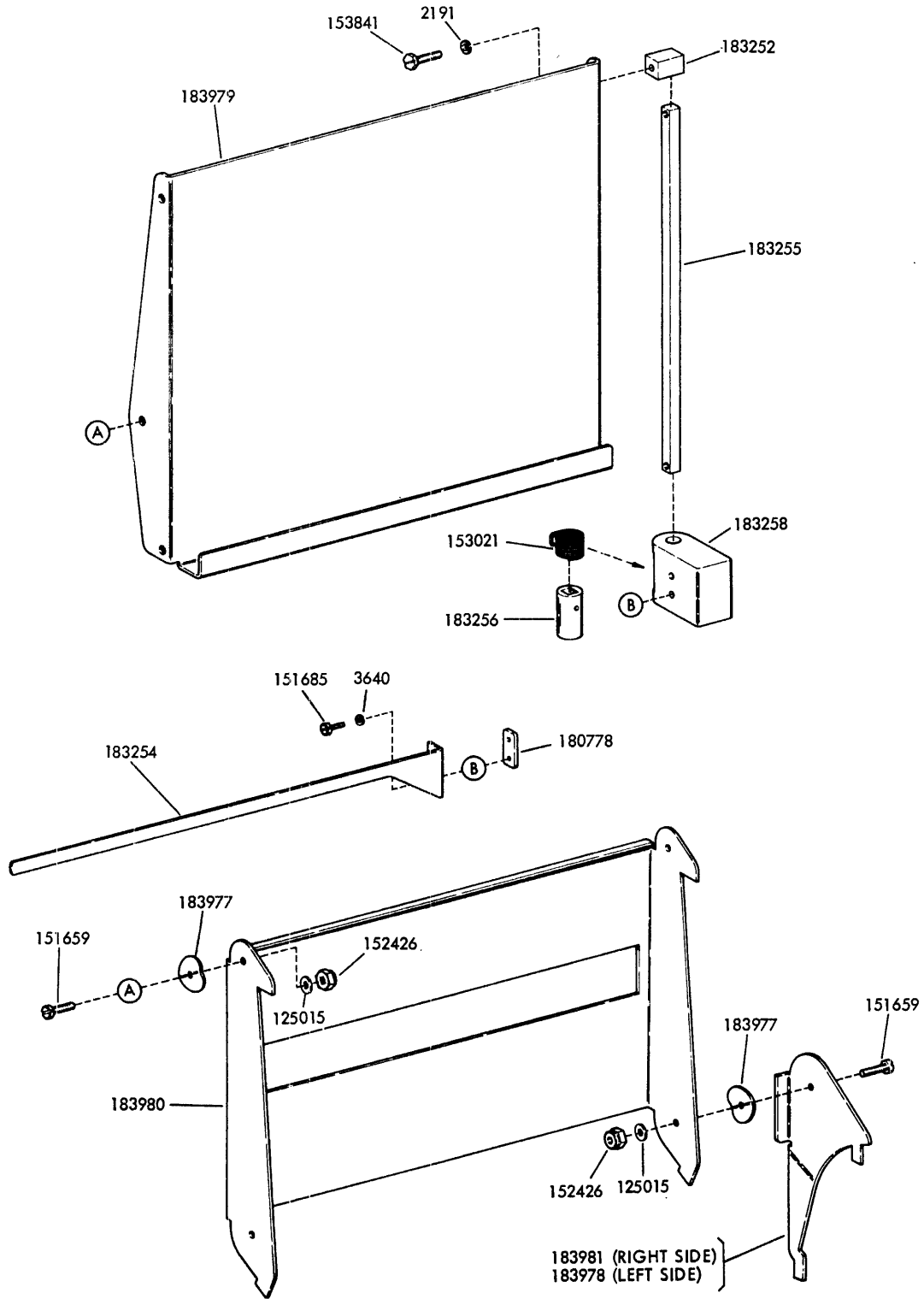


FIGURE 9. 183976 ADJUSTABLE COPYHOLDER ASSEMBLY

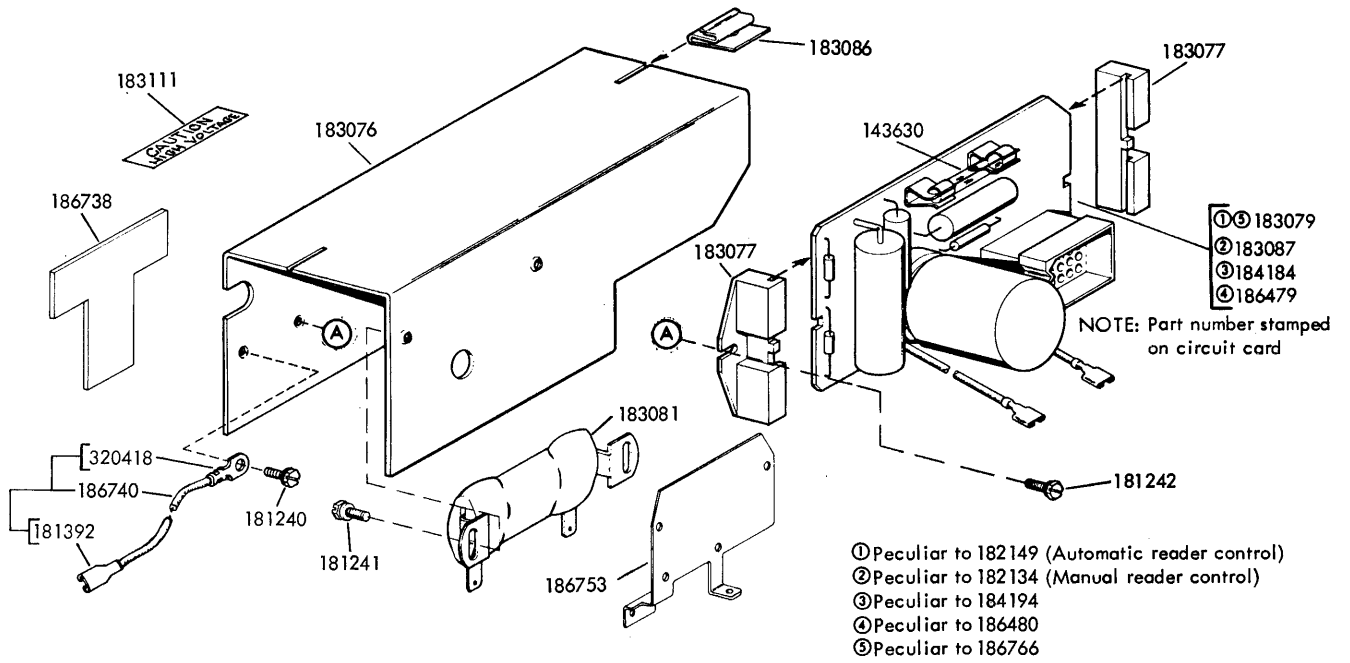


FIGURE 10. 182134, 182149, 184194, 186480 AND 186766 POWER PACK ASSEMBLIES

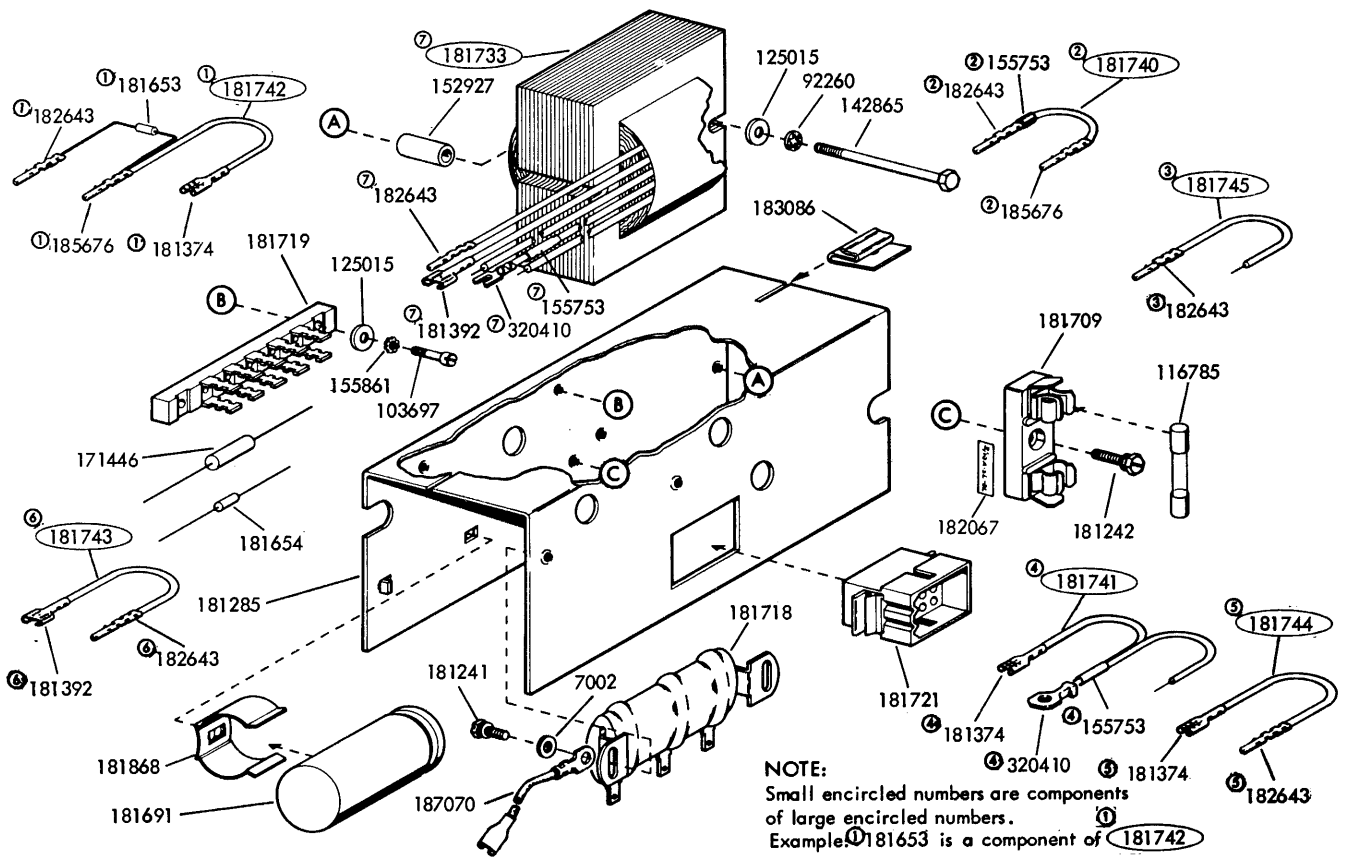


FIGURE 11. 181720 POWER PACK ASSEMBLY

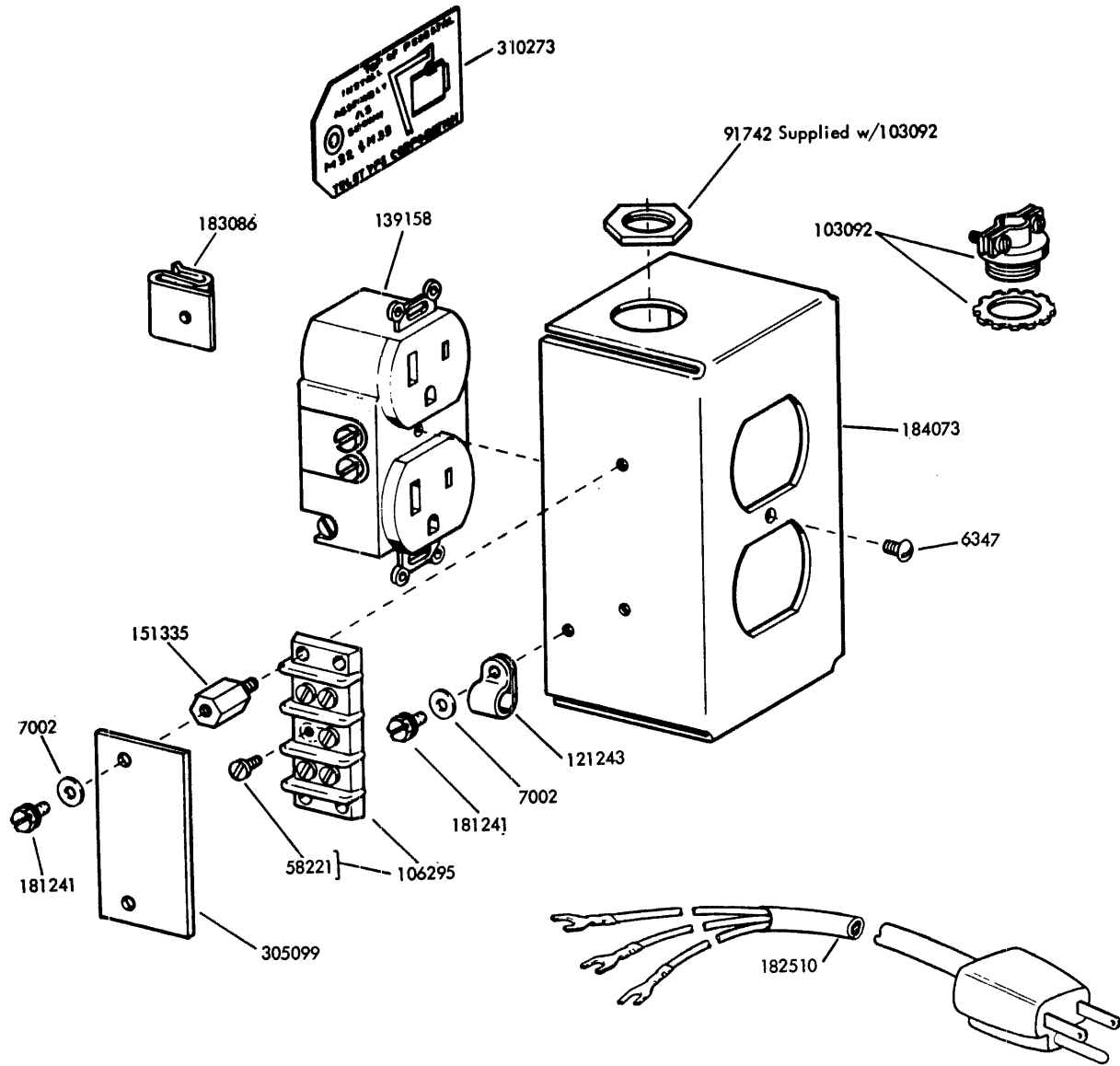
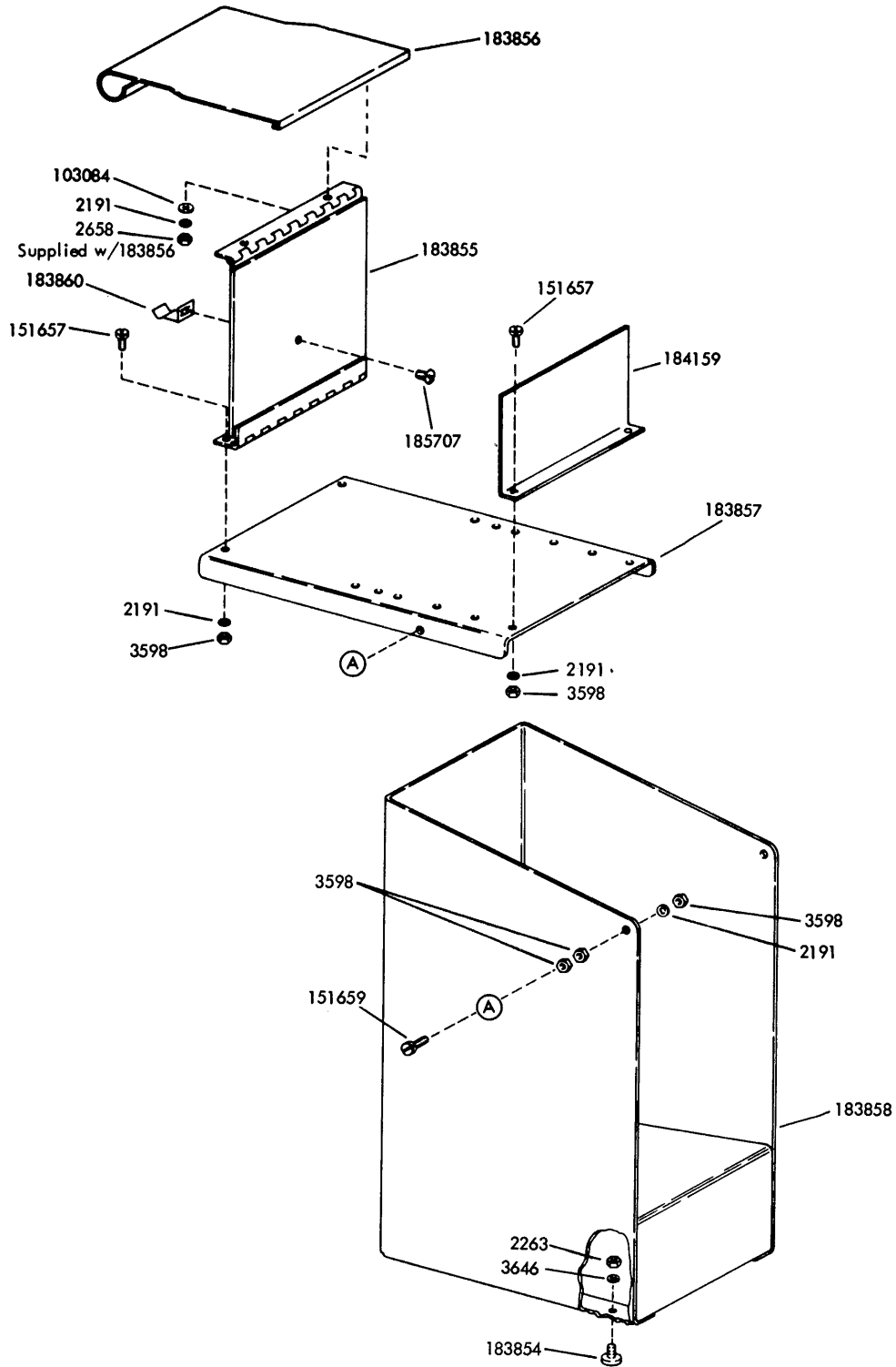


FIGURE 12. 184074 OUTLET BOX ASSEMBLY



Specification 50433S

FIGURE 13. 183859 MODIFICATION KIT TO PROVIDE PAPER SUPPLY AND ACCUMULATING SHELF

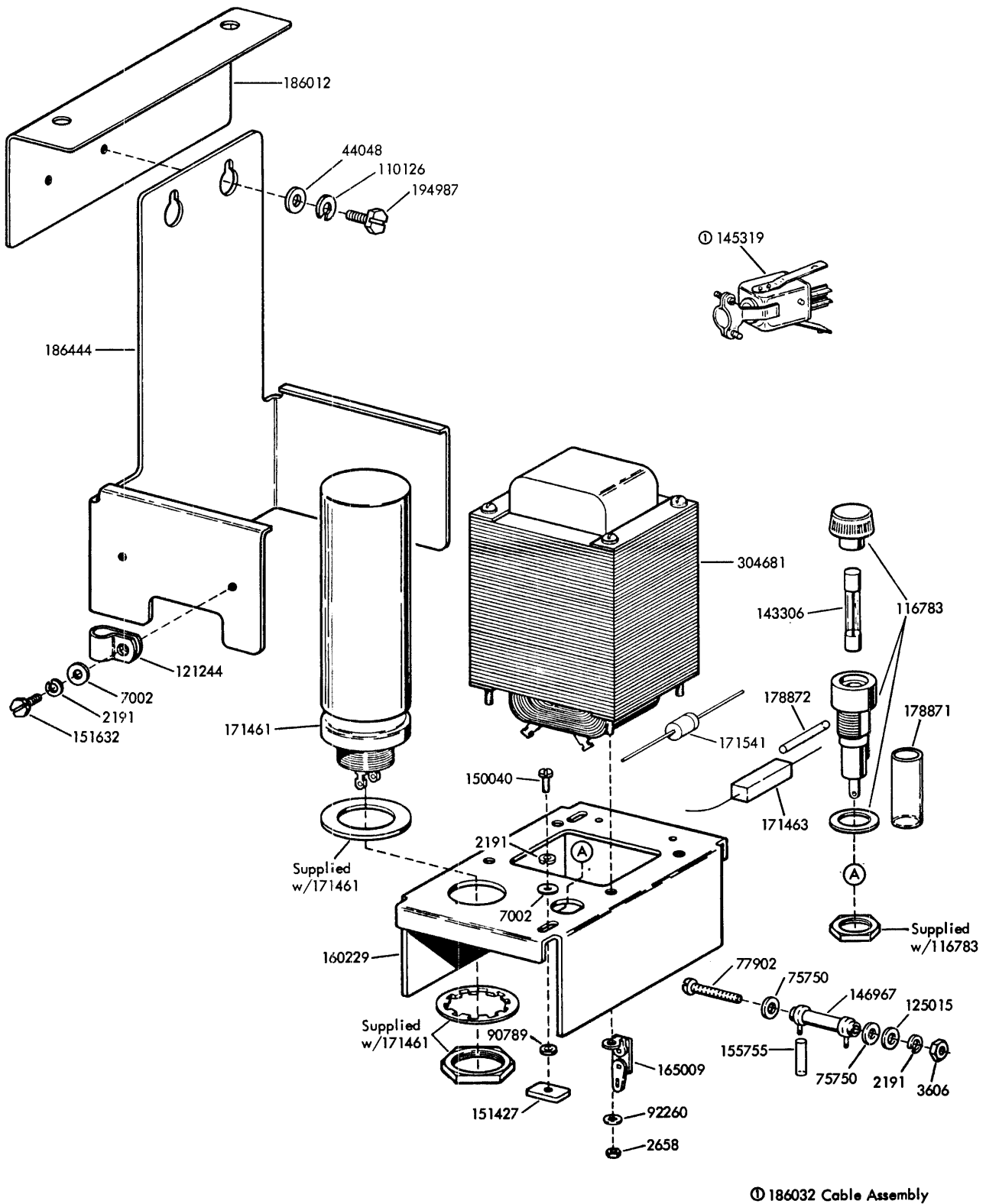
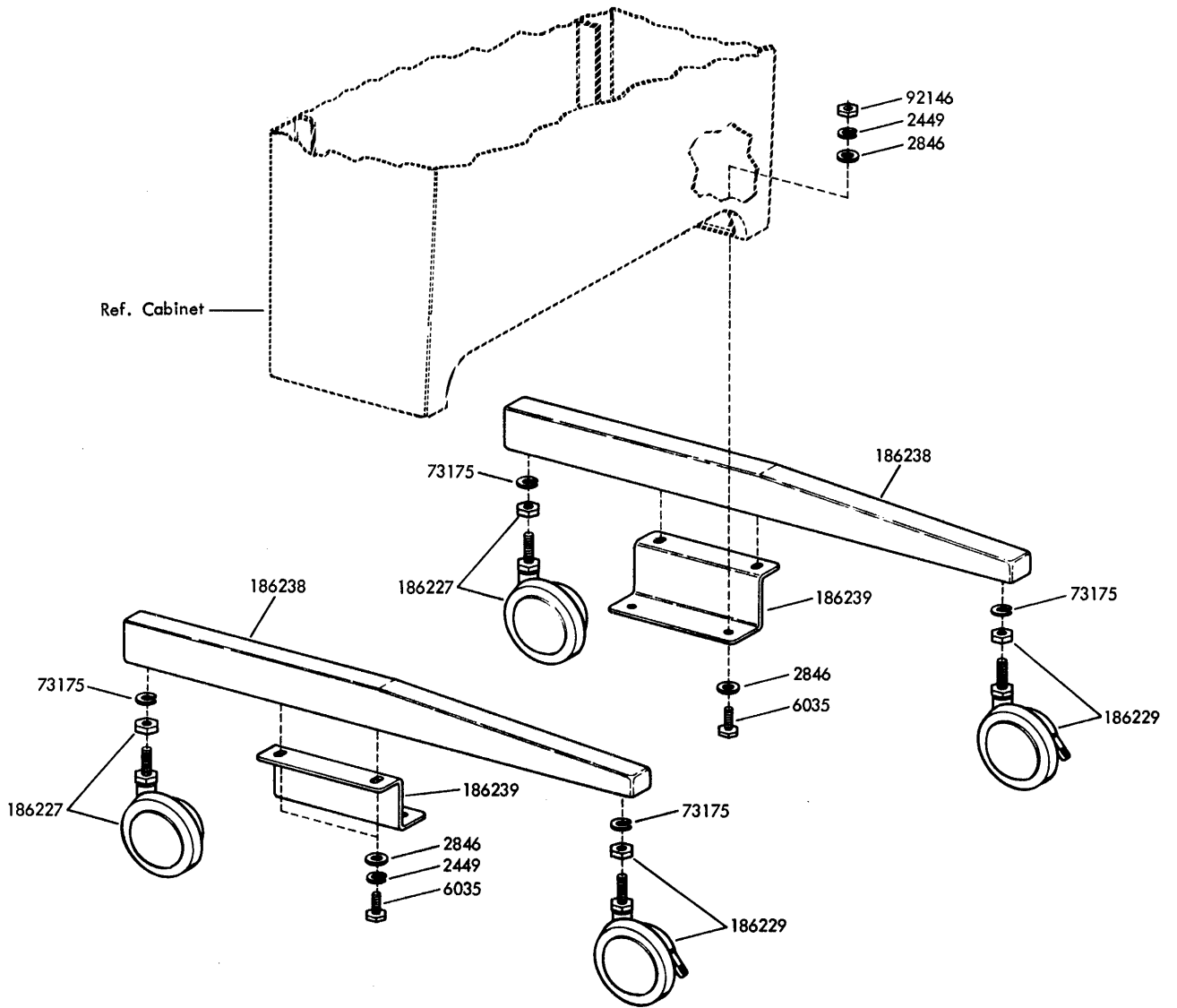


FIGURE 14. 186031 RECTIFIER ASSEMBLY



Specification 50626S

FIGURE 15. 186226 MODIFICATION KIT TO PROVIDE MOBILITY FOR CABINET

NUMERICAL INDEX

| Part Number | Description and Page Number | Part Number | Description and Page Number | Part Number | Description and Page Number |
|-------------|-----------------------------|-------------|--|-------------|--|
| 2191 | Lockwasher 7,8,9,10,13,14 | 139158 | Connector, Duplex | 178871 | Sleeve, 1/2 ID x 1-1/8" |
| 2263 | Nut, 8-32 Hex 13 | | Receptacle 12 | | Lg Insulating 14 |
| 2449 | Lockwasher 8,15 | 142865 | Screw, 6-40 x 2-1/32 Hex 11 | 178872 | Sleeve, 1/16 ID x 1-1/4" |
| 2658 | Nut, 6-32 Hex 13,14 | | | | Lg Insulating 14 |
| 2846 | Washer, Flat 15 | 143306 | Fuse, SL-BL 1 Amp 14 | 180714 | Screw, No. 6 Self-Tapping 7 |
| 3598 | Nut, 6-40 Hex 3,4,7,13 | 143630 | Fuse, .75 Amp 11 | 180778 | Plate 9,10 |
| 3606 | Nut, 6-40 Hex 14 | 145319 | Receptacle, 4 Pt Plug 14 | 180798 | Screw, 8-32 Self-Tapping 3 |
| 3640 | Lockwasher 9,10 | 146967 | Resistor, 750 Ohm 14 | 181043 | Spindle, Paper Roll 9 |
| 3646 | Lockwasher 8,13 | 147811 | Spacer, .250" Thk 7 | 181104 | Clip, Cable 8 |
| 6035 | Screw, 1/4-20 x 5/8 Hex 15 | 147812 | Frame, Tape Bin 7 | 181131 | Window, Lid 9 |
| 6345 | Nut, 6-32 Hex 8 | 147813 | Window, Left Side 7 | 181132 | Lid w/Window 9 |
| 6347 | Screw, 6-32 x 3/8 Rd 12 | 147814 | Window, Right Side 7 | 181133 | Cover 2 |
| 7002 | Washer, Flat 4,7,11,12,14 | 147815 | Divider, Tape Bin 7 | 181135 | Nameplate 2 |
| 44048 | Washer, Flat 8,14 | 147816 | Plate, Retaining 7 | 181137 | Nameplate 2 |
| 55323 | Screw, 8-32 x 1/2 Rd 8 | 147817 | Guide, Tape Bin 7 | 181139 | Label, Designation (Bell) 2 |
| 58221 | Screw, 6-32 x 1/4 Fil 12 | 150040 | Screw, 6-40 5/8 Fil 14 | 181140 | Label, Designation (W.U.) 2 |
| 70314 | Washer, Flat 7 | 151335 | Stud 12 | 181141 | Screw, 8-32 Spl 2 |
| 73175 | Lockwasher 15 | 151413 | Washer, Flat 8 | 181148 | Nameplate 2 |
| 74709 | Spring 9 | 151427 | Plate, Clamp 14 | 181237 | Screw, 1/4-14 Self-Tapping 8 |
| 75750 | Washer, Insulating 14 | 151572 | Lockwasher 7 | 181240 | Screw w/Lockwasher, 6-40 x 3/16 Hex 11 |
| 77902 | Screw, 6-40 x 2-3/8 Rd 14 | 151632 | Screw, 6-40 x 3/8 Hex 14 | 181241 | Screw w/Lockwasher, 6-40 x 1/4 Hex 11,12 |
| 90789 | Washer, Flat 14 | 151657 | Screw, 6-40 x 1/4 Fil 7,13 | 181242 | Screw w/Lockwasher, 6-40 x 5/16 Hex 11 |
| 91742 | Nut, Lock 12 | 151659 | Screw, 6-40 x 1/2 Fil 10,13 | 181244 | Screw w/Lockwasher, 6-40 x 7/16 Hex 3 |
| 92146 | Nut, 1/4-20 Hex 8,15 | 151685 | Screw, 4-40 x 5/16 Fil 9,10 | 181245 | Screw w/Lockwasher, 6-40 x 1/2 Hex 4 |
| 92260 | Lockwasher 11,14 | | | 181285 | Cover, Mounting 11 |
| 103084 | Washer, Flat 13 | 152426 | Nut, 6-40 Self-Locking 10 | 181287 | Holder, Card 5 |
| 103092 | Connector, Cord 12 | 152927 | Bushing 11 | 181288 | Label, White 5 |
| 103697 | Screw, 4-40 x 7/16 Fil 11 | 153021 | Spring, Torsion 9,10 | 181289 | Window, Plastic 5 |
| 106295 | Block, Terminal 12 | 153441 | Screw, 10-32 x 7/16 Hex 4 | 181292 | Window, Plastic 5 |
| 107116 | Lockwasher 7 | 153538 | Screw, 6-40 x 7/16 Hex 4 | 181297 | Cover, Insulating 2 |
| 110126 | Lockwasher 14 | 153841 | Screw, 6-40 x 9/16 Hex 9,10 | 181374 | Terminal, Tab Type 11 |
| 115594 | Nut, Speed 8 | | | 181392 | Terminal, Tab Type 11 |
| 116783 | Holder, Fuse 14 | 155087 | Screw, 1/4-20 x 7/16 Rd 8 | 181442 | Spring, Torsion 9 |
| 116785 | Fuse, .3 Amp 11 | 155753 | Screw, 1/4-20 x 7/16 Rd 8 | 181443 | Plate, Clamp 9 |
| 116793 | Lockwasher 9 | | | 181444 | Rod, Sensing 9 |
| 119634** | Button, Plug 5,8 | 155755 | Sleeve, 1/8 ID x 1/2" Lg Insulating 11 | 181653 | Diode 11 |
| 119649 | Ring, Retaining 4 | | | 181654 | Diode 11 |
| 121243 | Clamp, 3/16" ID Cable 12 | 155861 | Sleeve, 11/64 ID x 5/8" Lg Insulating 14 | 181691 | Capacitor, 150 MFD 11 |
| 121244 | Clamp, 1/4 ID Cable 14 | 155861 | Lockwasher 11 | 181709 | Holder, Fuse 11 |
| 121245 | Clamp, 5/16" ID Cable 8 | 156632 | Screw, 6-40 x 13/32 Hex 7 | | |
| 124177 | Lockwasher 3,4 | 160229 | Plate, Mounting 14 | | |
| 125015 | Washer, Flat 3,4,10,11,14 | 165009 | Terminal 14 | | |
| 125928 | Washer, Flat 8 | 165255 | Screw, No. 8 Spl 8 | | |
| 128913 | Screw, 8-32 Self-Tapping 9 | 171446 | Resistor, 120 Ohm 11 | | |
| 129098 | Screw, 6-40 x 11/32 Flat 7 | 171461 | Capacitor, 900 MFD 14 | | |
| | | 171463 | Resistor, 1 Ohm 14 | | |
| | | 171541 | Diode 14 | | |

**Refer to page 1 for finish suffix

NUMERICAL INDEX (Continued)

| Part Number | Description and Page Number | Part Number | Description and Page Number | Part Number | Description and Page Number |
|-------------|----------------------------------|-------------|-----------------------------|-------------|------------------------------|
| 181718 | Resistor, 2,000 - 10,000 Ohms 11 | 182926 | Cover Assembly 3 | 183513 | Cover 2 |
| 181719 | Strip, Terminal 11 | 182927 | Cover 2 | 183854 | Foot 13 |
| 181720 | Power Supply 1,11 | 182928 | Cover 2 | 183855 | Plate w/Hinges 13 |
| 181721 | Connector, 12 Pt Plug Type 11 | 182932 | Nut, Speed 3 | 183856 | Guide, Paper 13 |
| 181733 | Transformer 11 | 182935 | Hub 3 | 183857 | Shelf, Paper 13 |
| 181740 | Cable Assembly 11 | 182965 | Box, Chad 8 | 183858 | Bin, Paper Supply 13 |
| 181741 | Cable Assembly 11 | 183025 | Bracket 4 | 183859 | Modification Kit 1,13 |
| 181742 | Cable Assembly 11 | 183045 | Cover 4 | 183860 | Clip, Spring 13 |
| 181743 | Cable Assembly 11 | 183046 | Cover 4 | 183966 | Deflector, Paper 9 |
| 181744 | Cable Assembly 11 | 183047 | Base 4 | 183976 | Copyholder Assembly 1,10 |
| 181745 | Cable Assembly 11 | 183067 | Shield 4 | 183977 | Washer, Spring 10 |
| 181812 | Nameplate 2 | 183068 | Spring, Shield 4 | 183978 | Bracket, Left 10 |
| 181868 | Clip, Speed 11 | 183070 | Grommet, Rubber 4 | 183979 | Copyholder 10 |
| 181900 | Cover 2 | 183076 | Bracket, Rectifier 11 | 183980 | Link 10 |
| 181901** | Faceplate 5 | 183077 | Clamp, Circuit Card 11 | 183981 | Bracket, Right 10 |
| 181902** | Faceplate 5 | 183079 | Card, Circuit 11 | 184006 | Screw, 8-32 Self-Tapping 4 |
| 181903** | Faceplate 5 | 183081 | Resistor, 850 Ohm 11 | 184035 | Label, Designation 2 |
| 181904** | Faceplate 5 | 183086 | Clip 11,12 | 184073 | Bracket, Outlet 12 |
| 181909** | Faceplate 5 | 183087 | Card, Circuit 11 | 184074 | Box Assembly, Outlet 1,12 |
| 181910** | Faceplate 5 | 183091 | Post 4 | 184085 | Screw, 8-32 Thumb 2 |
| 181914** | Faceplate 5 | 183092 | Cup 4 | 184159 | Bracket, Back Stop 13 |
| 181921** | Faceplate 5 | 183094 | Plate w/Studs 4 | 184184 | Card, Circuit 11 |
| 181922** | Faceplate 5 | 183111 | Label 11 | 184194 | Power Pack 1,11 |
| 181931 | Faceplate 5 | 183112 | Screw, 4-40 x 9/64 Fil 4 | 184206 | Lid Assembly 3 |
| 182036 | Copyholder Assembly 9 | 183117 | Screw, 10-32 x 5/8 Hex 4 | 184208 | Spring 3 |
| 182067 | Nameplate 11 | 183118 | Plate, Clamp 4 | 185605 | Screw, 1/4-14 Self-Tapping 8 |
| 182109 | Lid Assembly 3 | 183125 | Label 2 | 185676 | Terminal, Plug Type 11 |
| 182134 | Power Pack 1,11 | 183133 | Bracket 4 | 185700 | Base 4 |
| 182149 | Power Pack 1,11 | 183134 | Base 4 | 185707 | Screw, 10-24 x 5/16 Rd 13 |
| 182278 | Support 2 | 183135 | Cover 4 | 185745** | Faceplate 6 |
| 182285 | Bumper, Rubber 8 | 183138 | Modification Kit 4 | 185748** | Faceplate 6 |
| 182468 | Lid 3 | 183140 | Cover 4 | 185815 | Nameplate 2 |
| 182510 | Cord, Power 12 | 183141 | Holder, Card 5,6 | 186012 | Bracket 14 |
| 182643 | Terminal, Plug Type 11 | 183243 | Foot w/Bumper 8 | 186016** | Faceplate 6 |
| 182662 | Receiver 8 | 183244 | Panel 8 | 186031 | Rectifier Assembly 1,14 |
| 182760 | Screw, 6-32 Spl 5,9 | 183245 | Cabinet, Lower 7,8 | 186032 | Cable Assembly 14 |
| 182764 | Nut, Speed 5,9 | 183249 | Screw, 5/16-18 Spl 8 | 186037** | Faceplate 6 |
| 182912 | Lid 3 | 183251 | Rack 8 | 186039** | Faceplate 6 |
| 182913 | Base, Cover 3 | 183252 | Post 9,10 | 186040 | Screw, No.8 x 1/2 Spl 8 |
| 182916 | Screw, 8-32 x 2-9/16 Hex 3 | 183253 | Copyholder 9 | 186054 | Nameplate 2 |
| 182917 | Spring, Special 3 | 183254 | Guide, Line 9,10 | 186055 | Nameplate 2 |
| 182918 | Spindle 3 | 183255 | Shaft 9,10 | 186056 | Nameplate 2 |
| 182919 | Button 3 | 183256 | Bushing 9,10 | 186057 | Nameplate 2 |
| 182921 | Cover, Right 3 | 183258 | Handle, Copyholder 9,10 | 186179 | Bracket 8 |
| 182922 | Cover, Left 3 | 183260 | Nut, Speed 7 | 186180 | Bumper, Rubber 8 |
| 182924 | Box, Chad 8 | 183262 | Retainer, Nut 8 | 186202 | Shield 2 |
| | | 183263 | Cap, Light Gray 8 | 186203 | Set of Parts 8 |
| | | 183501 | Cover, Stand 7 | | |
| | | 183508** | Faceplate 5 | | |

**Refer to page 1 for finish suffix

NUMERICAL INDEX (Continued)

| Part Number | Description and Page Number | Part Number | Description and Page Number | Part Number | Description and Page Number |
|-------------|-----------------------------|-------------|------------------------------|-------------|------------------------------|
| 186208 | Cover 2 | 186714 | Plate, Identification 2 | 194987 | Screw, 8-32 x 3/8 Hex 14 |
| 186226 | Modification Kit 1,15 | 186715 | Plate, Identification 2 | 195180 | Bumper, Rubber 8 |
| 186227 | Caster 15 | 186738 | Insulator 11 | 195253 | Rack Assembly, Display 8 |
| 186229 | Caster w/Brake 15 | 186740 | Jumper, 6" Green 11 | 195256** | Hanger 8 |
| 186238 | Foot 15 | 186742 | Label 8 | 195259** | Modification Kit 8 |
| 186239 | Bracket 15 | 186749 | Bolt w/Cap 8 | 197028 | Terminal 7 |
| 186311 | Bracket 9 | 186753 | Bracket 11 | 199931 | Bin Assembly, Tape Storage 7 |
| 186312 | Set of Parts 9 | 186766 | Power Pack 1,11 | 304681 | Transformer 14 |
| 186441** | Faceplate 6 | 186777 | Nut, 1/4-20 Self-Locking 8 | 305099 | Cover, Insulating 12 |
| 186444 | Bracket 14 | 186779** | Faceplate 6 | 310273 | Tag, Instruction 12 |
| 186464** | Faceplate 6 | 186780** | Faceplate 6 | 315755 | Label 9 |
| 186479 | Card, Circuit 11 | 187070 | Jumper, 12" Green 11 | 320410 | Terminal, Spade Type 11 |
| 186480 | Power Pack 1,11 | 188824 | Plug, Button 8 | 320418 | Terminal, Ring Type 11 |
| 186540 | Screw, 1/4-20 x 1/4 Spl 8 | 188875 | Nut, Speed 8 | 323129** | Faceplate 5 |
| 186592 | Clip 8 | 192263 | Holder, Handset 8 | 328738** | Faceplate 5 |
| 186593 | Clip 8 | 192289 | Screw, 1/4-14 Self-Tapping 7 | 340021 | Plate, Identification 2 |
| 186598** | Faceplate 5 | 193957 | Spring, Roller 8 | 341364** | Faceplate 6 |
| 186599 | Faceplate 5 | 194822 | Holder, Directory 8 | 343690** | Shelf 8 |
| 186605 | Deflector, Paper 9 | | | 343691** | Modification Kit 8 |
| 186713 | Plate, Identification 2 | | | | |

**Refer to page 1 for finish suffix